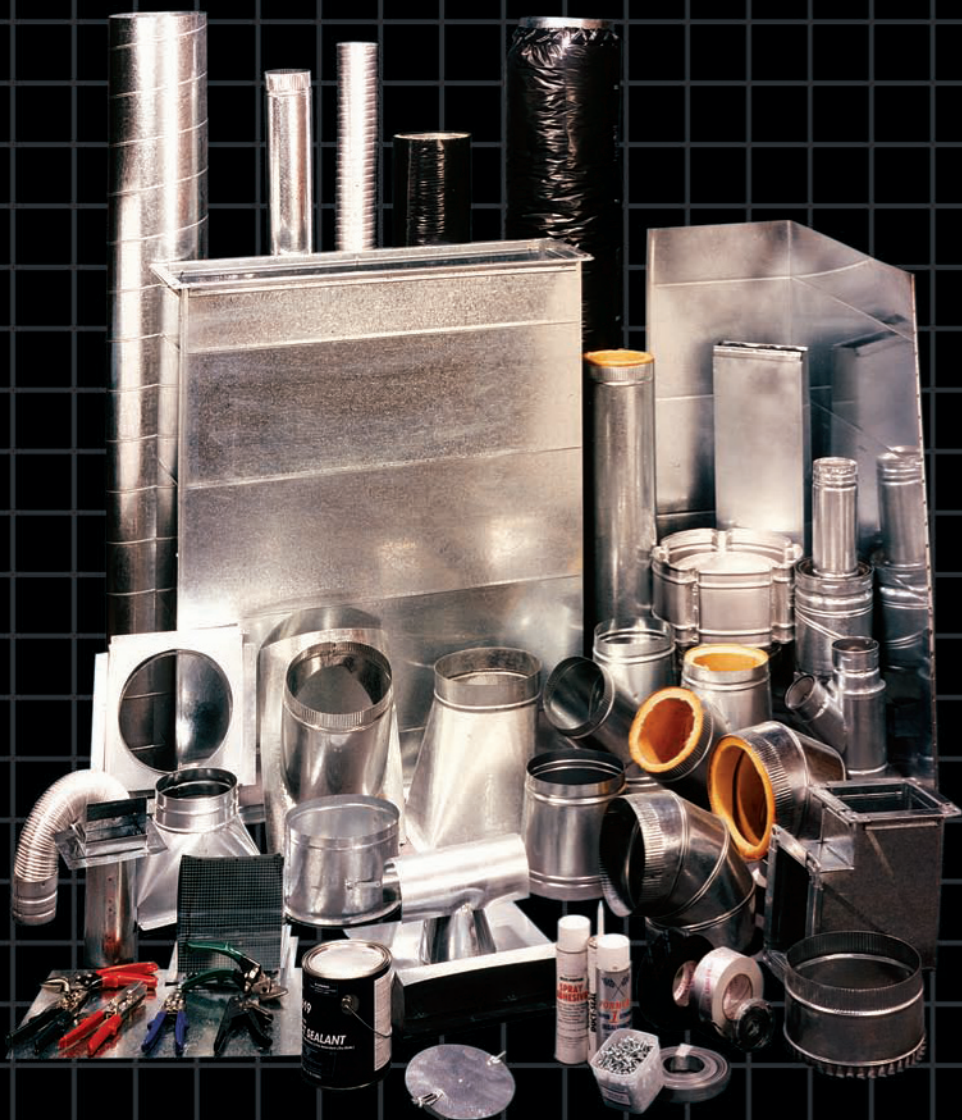


P MANUFACTURING & SUPPLY OF HVAC PRODUCTS **PACIFIC DUCT INC.**



5499 Brooks Street • Montclair, CA 91763
Tel (909)635-1335 • Fax (909)635-1339

DUCT, FITTINGS, & ACCESSORIES

If you did not see the
item you're looking for
call us at (909) 635-1335

We also manufacture:

Grease Duct

(Galv., CRS, HRS & S.S.)

Stainless Steel

Aluminum

Perforated & Expanded Metal

Double Wall Duct

(rectangular & round)

and can custom fabricate most any fitting

Keep up to date with our monthly specials

www.PacificDuct.com

or contact us at sales@pacificduct.com

TABLE OF CONTENTS

<u>PAGE</u>	<u>ITEM</u>
3-7	Product Listings
8	Spiral Pipe
9	Snap Lock Pipe (K.D) & Conductor Pipe
10	Flexible Duct (<i>Flex duct & Aluminum Flex</i>)
11	Elbows
12	T-wyes, Dual T-wyes & Tees
13	Tapers, Collars & Spin-Ins
14	Dampers and Sleeves
15	End Caps and Cookie Cutters
16	Round Duct Connector Products
17	Saddles (<i>Flat, Radius & Rectangular</i>)
18	Ceiling Boxes, Floor Boxes
19	Boots (<i>Standard & Perimeter</i>)
20	Riser Pipe, Riser Elbows & Register Boxes
21	Return Air Cans, Drain Pans & Line Set Covers
22	China Caps, Dryer Vents & Eyebrows
23	B-Vent, Conductor Flashing & T-Top
24	Access Doors (<i>Duct, Drywall & Fire Doors</i>)
25	Rectangular Duct
26	Duct Accessories
27	Rectangular Duct Connector Products
28	“S” Lock & Drives, Standing “S”, Angle, Vanes & Rails
29	Hanger Strap, Zip Ties & Flex Connector
30	Damper Hardware, Screws, Bolts, Nuts & Rivets
31	Insulation Liner & Fire Wrap, ISO Pads & Gaskets
32	ISO Spring Hangers, Thermostat Wire & Pigtail Cord
33	Hanger Hardware (<i>Beam Clamp, Angles, Strap & Threaded Rod</i>)
34	Tapes, (<i>Duct & Foil</i>), Duct Sealer, Adhesives, & Fire Stop
35	Copper Fittings, Copper Line Set, PVC Pipe & Fittings
36	Gases, Brazing Alloy, Black Iron Pipe & Fittings, Gas Line Connectors
37	Smoke Detectors, Thermostats, Whips & Freon
38-39	Registers & Grilles (<i>Stamped & Bar Type</i>)
40	Diffusers (<i>Curve Blade, Cone and Return, T-Bar</i>)
41	Fans (<i>Ventilation, Roof & Attic</i>)
42	Dampers (<i>Fire & Smoke, Backdraft & Control</i>)
43	Gas Detection System



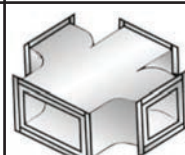



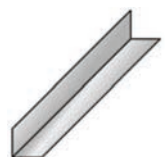


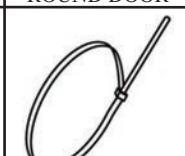
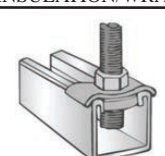


DUCT, FITTINGS, & ACCESSORIES

				
SPIRAL PIPE	CONDUCTOR PIPE	SNAP LOCK PIPE	FLEX DUCT	ALUMINUM FLEX
				
T-WYE	DUAL T-WYE	DUAL TEE	TRUE TEE	AIRFLOW TEE
				
90° ADJ. ELBOW	45° ADJ. ELBOW	90° STAMPED ELBOW	45° STAMPED ELBOW	90° SPOT WELDED ELBOW
				
45° SPOT WELDED ELBOW	TAPER	TAPER W/COLLARS	90° FLAT SADDLE	45° FLAT SADDLE
				
90° RADIUS SADDLE	45° RADIUS SADDLE	COLLARS	CONDUCTOR FLASHING	T-TOP VENT
				
SPIRAL COUPLING	END CAP	COOKIE CUTTER	STRAIGHT SPIN-INS	CONICAL SPIN-INS

DUCT, FITTINGS, & ACCESSORIES

				
CHINA CAP	DOUBLE WALL B-VENT	EYEBROW VENT	CEILING BOX (TOP FEED)	CEILING BOX (SIDE FEED)
				
FLOOR BOX	DRAIN PAN	FAU STAND	RETURN AIR CANS	DRYER VENT
				
STANDARD STRAIGHT BOOT	STANDARD STACKHEAD BOOT	STANDARD CONE BOOT	PERIMETER STRAIGHT BOOT	PERIMETER STACKHEAD BOOT
				
PERIMETER CONE BOOT	RISER PIPE	STANDARD 90° & 45° RISER ELBOW	FLAT 90° & 45° RISER ELBOW	REGISTER BOX
				
LINE SET COVER	SQUARE TO ROUND	PANT WYE	SPLITTER WYE	ACCESS DOORS
				
SLEEVE W/DAMPER	RECTANGULAR PLENUM W/CAP	DUCT W/CONNECTOR	90° ELBOW	NON 90° ELBOW

DUCT, FITTINGS, & ACCESSORIES

				
L-SECTION DUCT	RECTANGULAR TEE	TRANSITION	TRANSITIONAL OFFSET	STRAIGHT OFFSET
				
PANT FITTING	CROSS TEE	GOOSE NECK	RECTANGULAR SADDLE	PARKER FITTING
				
ROOF CURB	DRIVES	"S" LOCK	STANDING 'S'	ANGLES
				
ACCESS DOOR	ROUND DOOR	FIRE DOORS	INSULATION/WRAP	FIRE WRAP
				
FLEX CONNECTOR	ZIP TIES	HANGER STRAP	HANGER SUPPORT	HANGER HARDWARE
				
THREADED ROD	BRUSHES	DUCT SEALER/ ADHESIVE	FIRE STOP/ CAULKING	DUCT/FOIL TAPE

DUCT, FITTINGS, & ACCESSORIES

 <p>DIAL SQUARE BEARING DAMPER WEDGE LOC ROUND BEARING SPRING LOC QUADRANT</p>	 <p>DAMPER HARDWARE</p>	 <p>BOLTS/NUTS WASHERS</p>	 <p>TEK/ZIP SCREWS</p>	
 <p>CONDUIT LOCK</p>	 <p>RIVETS/GUN</p>	 <p>SCREWS/NUT DRIVERS</p>	 <p>SHEET METAL TOOLS</p>	 <p>GLOVES</p>
 <p>WHIPS</p>	 <p>PIGTAILS/ GROMETS</p>	 <p>FREON</p>	 <p>SERVICES GASES</p>	 <p>BLAZING ALLOY</p>
 <p>GAS LINES</p>	 <p>BLACK IRON PIPE & FITTINGS</p>	 <p>COPPER FITTINGS</p>	 <p>COPPER LINE SETS</p>	 <p>PVC PIPE & FITTINGS</p>
 <p>REGISTERS</p>	 <p>GRILLES</p>	 <p>FILTERS</p>	 <p>SPRING ISOLATORS</p>	 <p>RUBBER PADS (ISO PADS)</p>
 <p>THERMOSTATS WIRE</p>	 <p>THERMOSTATS</p>	 <p>SMOKE DETECTOR</p>	 <p>GAS DETECTION SYSTEM</p>	 <p>FIRE/SMOKE DAMPERS</p>

DUCT, FITTINGS, & ACCESSORIES

 FLANGE	 TDC/J-CORNERS CORNERS/CLEATS	 CLEAT/TOOL	 VANES/RAILS	 WELD PINS
 UNISTRUT	 STRAP BRACKET	 LOUVERS	 SLEEVE	 GASKETS
 DUCT COVER FILM	 PLASMA LABELS	 AIRDOORS	 EXHAUST FANS	 ROOF FANS
 BAILING WIRE				

Other Products available inside the catalog
 Need help with Submittals? Go to our
 website: www.pacificduct.com

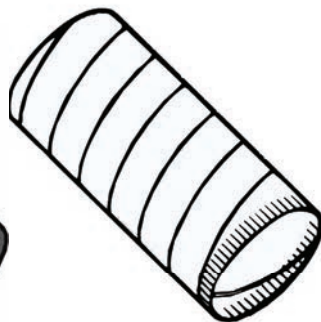
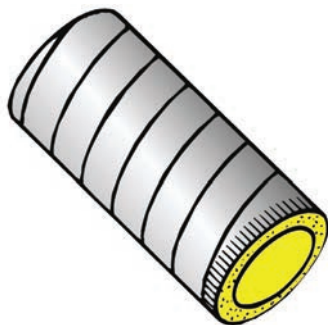
Spiral Pipe

Size	Ga.
4"-22"	26
24"-30"	24
32"-36"	22
38"-50"	20
52"-60"	18

- Standard: 10' length galvanized steel
- Lined or wrapped spiral available upon request
- Stainless Steel, Aluminum, & PVC Coated Spiral Pipe available upon request
- Other sizes, gauges, & material available



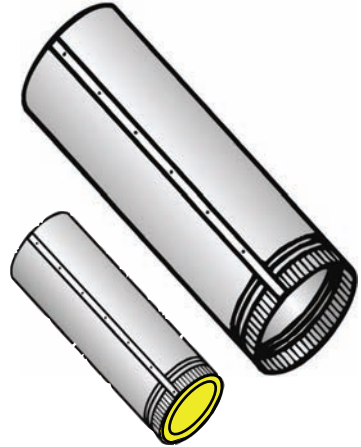
Spiral Pipe also available
Lined, Wrapped, PVC, SS
& Aluminum



Snap Lock Pipe

(K.D. Pipe)

Size
3" - 20"
<ul style="list-style-type: none">• Standard: 3' length, 5' lengths available upon request• Lined KD pipe available upon request• Other sizes, gauges, & material available upon request



Conductor Pipe

Size
3"-5"
<ul style="list-style-type: none">• Standard: 10' length• Other sizes, gauges, & material available upon request



Flexible Duct (Soft Flex)

Size	
25'L Box	6'L pieces with M/F Collars
4" - 20"	4" - 20"
<ul style="list-style-type: none"> • Available in metalized jacket, R4.2, R6 and R8 • 25'L made with raw ends • 6'L made with male/female collar ends • Other sizes & material available upon request 	



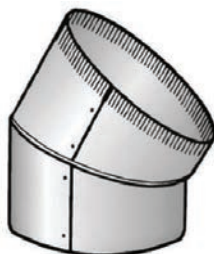
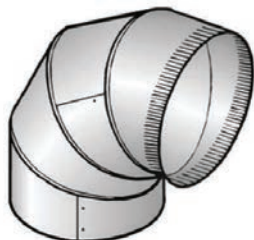
Aluminum Flex

Size	
6' L Uncompressed with M/F Collars	10' L Compressed No Collars
5" - 20 "	3" & 4"
<ul style="list-style-type: none"> • Available in bare or wrapped w/ metalized jacket • 3" & 4" made compressed with crimped end • Available in wrapped R4.2, R6 and R8 • Other sizes & material available upon request 	



Adjustable Elbows

Size
3" - 30"
<ul style="list-style-type: none"> • Standard: Four Gores raw and crimp each end 90 degrees Adjustable Elbow • Standard: Two Gores raw and crimp each end 45 degrees Adjustable Elbow • Lined Elbow available upon request • Other sizes, gauges, & material available upon request



Stamped & Spot Welded Elbows

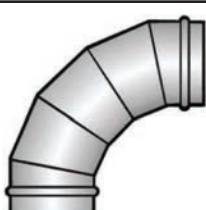
Available Upon Request



90° STAMPED ELBOW



45° STAMPED ELBOW



90° SPOT WELDED ELBOW



45° SPOT WELDED ELBOW

- Stamped Elbow available in 3" - 12" upon request, in short or long radius, in 22 & 24 Ga
- Other sizes, gauges, & material available upon request

T-Wyes

Size		
8 x 6 x 6	12 x 10 x 10	16 x 14 x 10
8 x 8 x 6	12 x 12 x 8	16 x 14 x 12
9 x 7 x 7	14 x 10 x 10	16 x 14 x 14
10 x 8 x 6	14 x 12 x 8	18 x 14 x 12
10 x 8 x 8	14 x 12 x 10	18 x 14 x 14
10 x 10 x 8	14 x 12 x 12	18 x 16 x 10
12 x 8 x 8	14 x 14 x 12	18 x 16 x 12
12 x 9 x 9	16 x 12 x 12	18 x 16 x 14
12 x 10 x 8	16 x 14 x 8	18 x 16 x 16

- Collars/Dampers installed on T-Wyes upon request
- Lined T-Wyes available upon request
- Reverse T-Wyes available upon request
- Other sizes, gauges, & materials available upon request



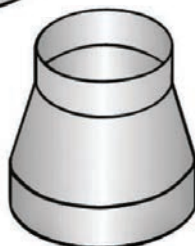
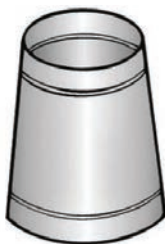
T-Wyes & Tees

Available Upon Request		
		
DUAL T-WYE	DUAL TEE	TRUE TEE
		
PANT WYE	SPLITTER WYE	AIRFLOW TEE

Tapers

Size	
Short	Surefit
5" x 4"	10" x 8"
6" x 4"	12" x 8"
6" x 5"	12" x 10"
7" x 6"	14" x 10"
8" x 6"	14" x 12"
8" x 7"	16" x 12"
9" x 8"	16" x 14"
10" x 8"	18" x 14"
10" x 9"	18" x 16"
12" x 10"	20" x 16"
14" x 12"	20" x 18"
16" x 14"	22" x 18"
18" x 16"	24" x 20"
20" x 18"	

- Standard: Short Tapers 6" - 8" high, bare of beaded. Long tapers available upon request
- Collars & Dampers installed on tapers available upon request
- Lined Tapers available upon request
- Other sizes, gauges, & material available upon request



Start Collars

Size
4" - 26"

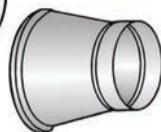
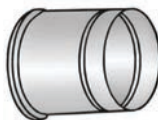
- Standard: 6" high, dove tail, crimped one end
- Available with or without damper
- Other sizes, gauges, & material available upon request



Spin-Ins

Size
4" - 18"

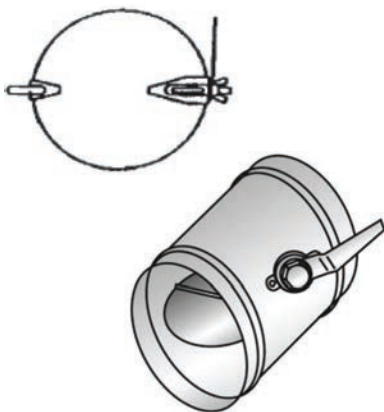
- Standard: 6" high
- Conical Spin-Ins are available upon request
- Other sizes, gauges, & material available



Dampers and Sleeves

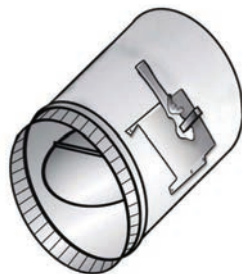
Jiffy Dampers & Sleeves

Jiffy* w/ Hardware	Jiffy* In Sleeve
Size	Size
5 - 14"	5 - 14"
<ul style="list-style-type: none"> • *Includes 1 handle, 1 blade, 2 wingnuts, 2 bearings • Standard: sleeve w/ Jiffy dumper • Made to SMACNA standards • Other sizes available upon request 	



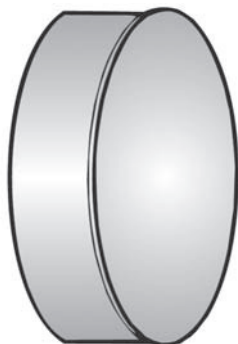
3/8 Dampers With Sleeve

- Standard size 6" - 22". Sleeve length 10" - 14". Crimped one end
- All galvanized steel. Made to SMACNA standards
- Standard hardware: 3/8 rod, bushings, 1.5" standoff regulator handle
- Disks made from 22 Ga min. Sleeves made to SMACNA standards
- Other sizes, gauges, and material are available upon request



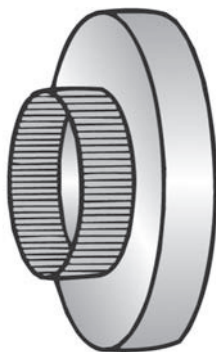
End Caps

Size
4" - 22"
<ul style="list-style-type: none"> • Standard: Oversized collar to fit over pipe • Undersized End Caps (plugs) are available upon request • Other sizes, gauges, & material available upon request



Cookie Cutters Pancake Reducers

Size	
4 x 3	10 x 8
5 x 3	10 x 9
5 x 4	12 x 10
7 x 6	14 x 10
8 x 6	14 x 12
8 x 7	16 x 14
9 x 8	18 x 16
<ul style="list-style-type: none"> • Standard Overall Height: 4" Nominal • Other sizes, gauges, & material available upon request 	



Round Duct Connector Products

Spiral Coupling

- Standard: 4" - 26" Round, 4"L Galv. Steel
- Male/Female Slip into pipes W center Bead
- Other sizes, gauges, & material available upon request



Angle Rings

- Standard: 3" - 72" Round Steel, unpainted W/holes, Flange out
- Pressed and Rolled to join duct together
- Available in Galvanized and Stainless Steel upon request



Econo Flange

- Standard: 8" - 72" Round Galvanized Steel
- Designed with or without split to accommodate Minor deviation
- Available in other specialty material



Connector Accessories



- For 1" Strap up to 18Ga



- 3/8" or 1/2" x 10'L



- For 3/8" Rod reduces noise



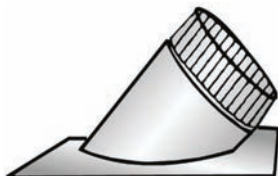
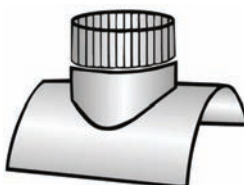
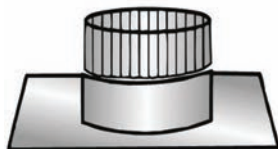
- Bolts and nuts 3/8" or 1/2"



- Round sleeve in 3" - 14"

Saddles

Size	
45°	90°
6" - 18"	6" - 14"
<ul style="list-style-type: none"> • All branches on saddles are crimped • Specify size and orientation of saddle (45° or 90°) • Specify pipe size for radius saddles • Other sizes, gauges, & material available upon request 	

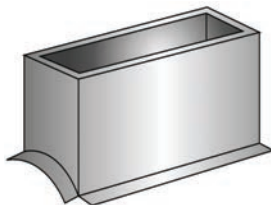


Radius

Flat

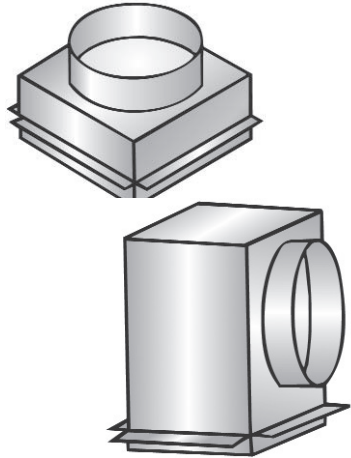
Rectangular Saddle

- Standard: 1" Flange
- Specify inside dimension on top flange
- Standard: 6" height
- Specify pipe size for bottom flange
- Made to SMACNA standards
- Sizes, gauges, and material available upon request



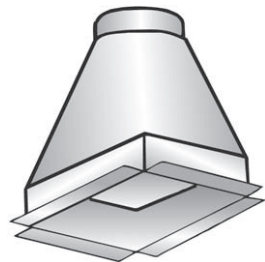
Ceiling Boxes

Size	
6" - 24"	
<ul style="list-style-type: none"> • Standard Collar Height: 2 1/4" with Plaster Ground • Available in Raw or Flanged upon request • Side Inlet feed Ceiling Box available upon request • 6" & 8" High Ceiling box available upon request • Other sizes, gauges, & material available upon request 	



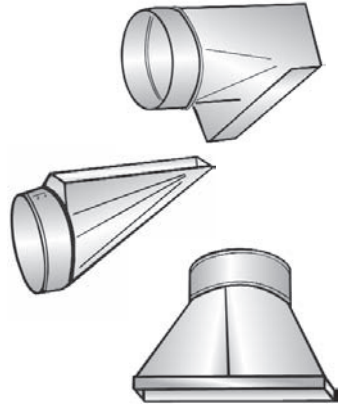
Floor Boxes

Size	
8 x 4 x 5	14 x 6 x 7
10 x 4 x 5	14 x 6 x 8
10 x 6 x 6	14 x 8 x 8
12 x 6 x 7	14 x 8 x 9
<ul style="list-style-type: none"> • Standard: 30 Gauge • Available with ears & Damper upon request • Other sizes, gauges, & material available upon request 	



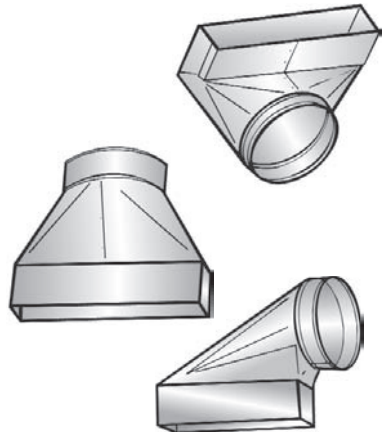
Standard Riser Boots

Size	
8" x 4"	12" x 7"
8" x 5"	14" x 8"
10" x 5"	14" x 9"
10" x 6"	
<ul style="list-style-type: none"> • Standard: 30 Gauge, 3-1/4" wide • Available in Straight, Stackhead, or Cone • Other sizes, gauges, & material available upon request 	



Perimeter Boots

Size	
8" x 4" x 5"	12" x 6" x 7"
10" x 4" x 5"	14" x 6" x 8"
10" x 6" x 6"	14" x 8" x 9"
<ul style="list-style-type: none"> • Available in Straight, Stackhead, or Cone • Other sizes, gauges, & material available upon request 	



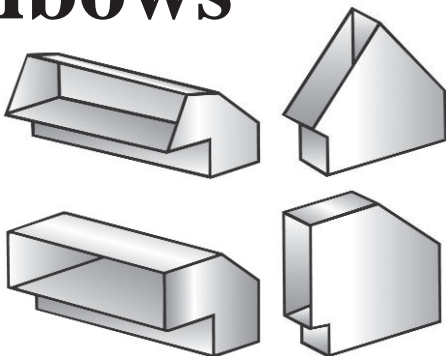
Riser Pipe

Size
8" x 3 ¹ / ₄ "W
10" x 3 ¹ / ₄ "W
12" x 3 ¹ / ₄ "W
14" x 3 ¹ / ₄ "W
<ul style="list-style-type: none"> • Available in 3', 7-1/2' & 10' Lengths • Available in KD or assembled • Cap available for all sizes • Other sizes, gauges, & material available upon request



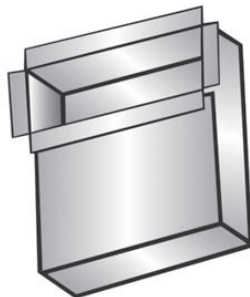
Riser Elbows

Size
8" - 14"
<ul style="list-style-type: none"> • Standard: 30 gauge, 3-1/4" W • Available in 90 and 45 Flat or Standard • Other sizes, gauges, & material available upon request



Register Boxes

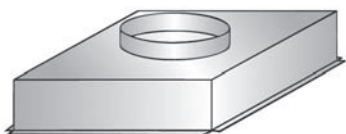
Size
8" - 14"
<ul style="list-style-type: none"> • Standard: 30 gauge, 13" high, 3-1/4" W • Register Boxes with Ears available upon request • Other sizes, gauges, & material available upon request



Return Air Can

Size			
20-1/4" x	12-1/4"	25-1/4" x	12-1/4"
	14-1/4"		14-1/4"
	16-1/4"		16-1/4"
	18-1/4"		18-1/4"
24-1/4" x	12-1/4"	30-1/4" x	12-1/4"
	14-1/4"		14-1/4"
	16-1/4"		16-1/4"
	18-1/4"		18-1/4"

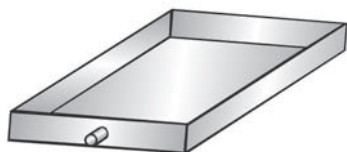
- Specify collar size
- Other sizes, gauges, & material available upon request



Drain Pan

Size
Custom Fabrication

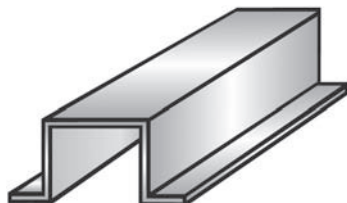
- Available without drain plug
- Other sizes, gauges, & material available upon request



Line Set Cover

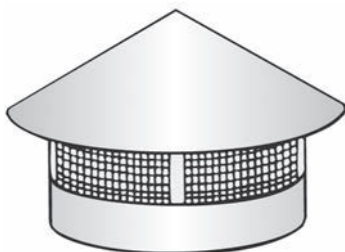
Size
Custom Fabrication

- Other sizes, gauges, & material available upon request



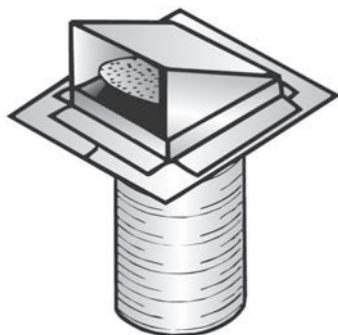
China Cap

Size
8" - 14"
<ul style="list-style-type: none">• Other sizes, gauges, & material available upon request



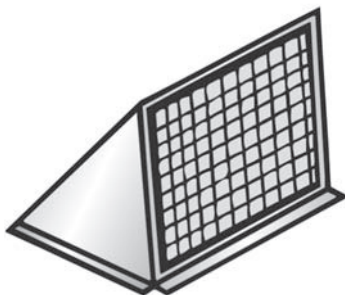
Dryer Vent

Size
3" - 7"
<ul style="list-style-type: none">• Other sizes, gauges, & material available upon request



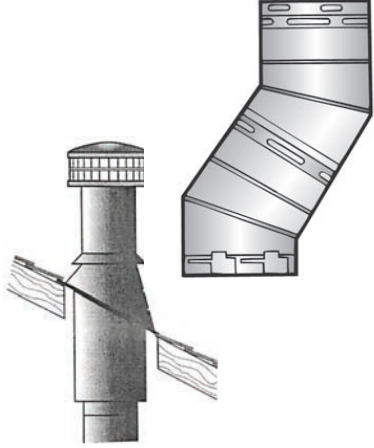
Eyebrow Vent

Size
4" - 14"
<ul style="list-style-type: none">• Available with damper upon request• Other sizes, gauges, & material available upon request



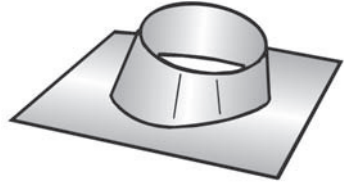
B-Vent Pipe & Fittings

Fittings	
Pipe	Reducer
Elbow	Storm Collar
Draft Hood	Tees
Cap	Universal Adapter
Firestop	Wall Thimble
Flex Wall	Wall Support
Increaser	Wye
Adj. Pipe	Collar



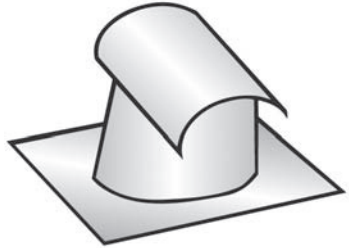
Conductor Flashings

Size
1" - 10"
<ul style="list-style-type: none"> • Available in Galvanized, Galv. Mesh, Dead Soft Alum., and Shake Base • Other sizes, gauges, & material available upon request



T-Top Vent

Size
4" - 10"
<ul style="list-style-type: none"> • Available in Galvanized, Galv. Mesh, Dead Soft Alum., and Shake Base • Other sizes, gauges, & material available upon request



Access Doors

Duct & Drywall

Door Size	
6" x 6"	16" x 16"
8" x 8"	18" x 18"
10" x 10"	20" x 20"
12" x 12"	22" x 22"
14" x 14"	24" x 24"

- Duct doors are dovetail, hinged, & cammed
- Drywall doors are hinged & screw lock



Round Door



Door Size	Pipe Size
8 x 4	5 - 6"
	7 - 9"
	10"
	12 - 14"
12 x 8	16"
	18"
	20"
	22"

- Other sizes, gauges, & material available upon request

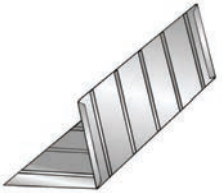
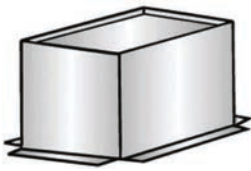
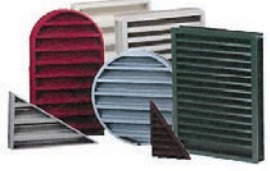
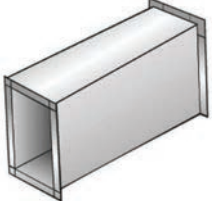
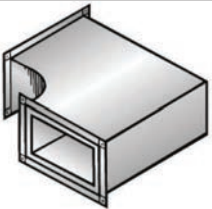
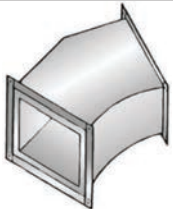
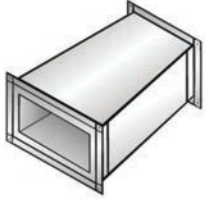
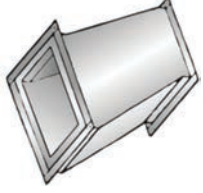
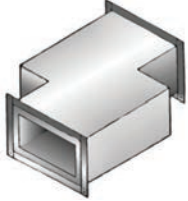
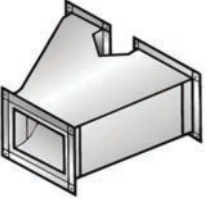
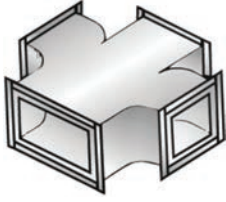
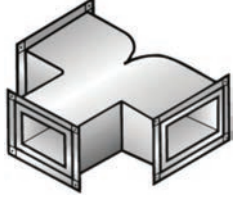

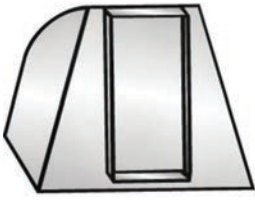
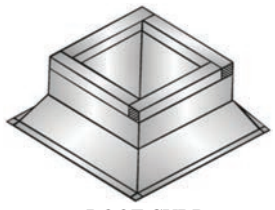
Fire/High Temp Door









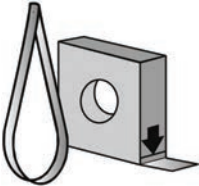







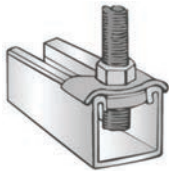



Door Size
10" x 6"
12" x 8"
18" x 14"
24" x 18"

- Standard: Flat 1000°, 2000° door available upon request
- Round fire door & other temperature rates available upon request
- Other sizes, gauges, & material available upon request

Rectangular Duct

 <p>L-SECTION DUCT</p>	 <p>RECTANGULAR PLENUM W/ CAP</p>	 <p>LOUVERS</p>
 <p>DCUT W/ CONNECTOR</p>	 <p>90° ELBOW</p>	 <p>NON 90° ELBOW</p>
 <p>TRANSITION</p>	 <p>TRANSITIONAL OFFSET</p>	 <p>STRAIGHT OFFSET</p>
 <p>PANT FITTING</p>	 <p>CROSS FITTING</p>	 <p>RECTANGULAR TEE</p>
 <p>GOOSE NECK</p>	 <p>PARKER FITTING</p>	 <p>ROOF CURB</p>

Duct Accessories

			
J OR H FLANGE	J/TDC CORNERS	J/TDC CLEAT	STANDING 'S' SLIP
			
FLAT 'S' SLIP	FLAT DRIVE	ANGLE 14 OR 16 GA.	STRAP BOX OR 10'L
			
BOLTS & NUTS	BUTYL & NEOPRENE GASKETS	VANE & RAIL	FLEX CONNECTORS
			
THREADED ROD	WELD PINS	DUCT SEALER/ADHESIVE	STRUTS & HANGER SUPPORT
			
INSULATION WRAP	ZIP TIES	DAMPER HARDWARE	SHEET METAL TOOLS

Rectangular Duct Connector Products

Flange

- Available in 10'L and 20'L in Galvanized Steel
- TDC Duct System is available at lower cost
- Recommended for 16 - 26 Ga ductwork
- Tested per SMACNA Class Standards
- J Flange is 20Ga Galvanized Steel
- Available in specialty metals upon request



Corners

- Available for J, H or TDC
- Corners are available in standard or universal
- Available in specialty metals upon request








Cleats

- Available for J, H or TDC
- Available in specialty metals upon request



Connector Accessories

Gaskets	Bolts/Nuts	Vane/Rail	Threaded Rod	Struts
 <ul style="list-style-type: none"> • Butyl 3/16" x 5/8" or • 5/16" x 3/4" neoprene 	 <ul style="list-style-type: none"> • Bolt 3/8" x 1-1/4"L • Nut 3/8" 	 <ul style="list-style-type: none"> • 2" or 4" Vanes or Rails 	 <ul style="list-style-type: none"> • 3/8" or 1/2" x 10'L 	 <ul style="list-style-type: none"> • 15/8", 2.5" x 9/16" Slots

“S” Lock & Drives

Size	
1”	26 Ga.
<ul style="list-style-type: none"> • Other sizes, gauges, & material available upon request 	



Standing “S”

Size	
10’L	
<ul style="list-style-type: none"> • Other sizes, gauges, & material available upon request 	



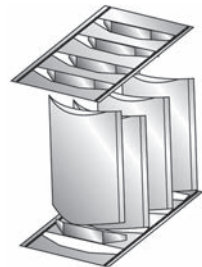
Angle

Angle	
<ul style="list-style-type: none"> • 16 Ga Galvanized Steel • Other sizes, gauges, & material available upon request 	



Vanes & Rails

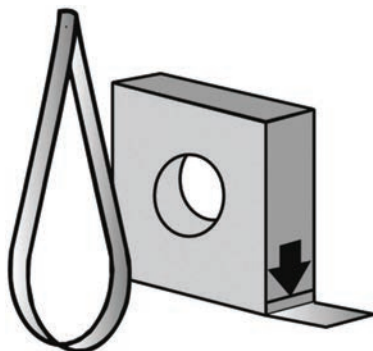
Size	
2” & 4” wide	
<ul style="list-style-type: none"> • Other sizes, gauges, & material available upon request 	



Hanger Strap

Size	Ga.
1-1/2" x 10'L	14
1-1/2" x 10'L	16
1" x 10'L	16
1" x 10'L	20
1-1/2" x 10'L	20
1-1/2" x 80'L No holes	24
1-1/2" x 80'L w/ holes	24
1-1/2" x 80'L No holes	26
1-1/2" x 10'L w/ holes	26

• Other sizes, gauges, & material available upon request



Zip Ties

Size
36" Length
48" Length

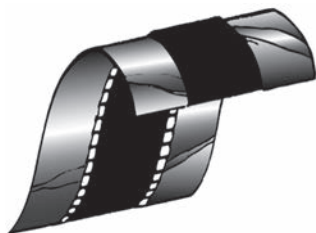
• Available single or in packs of 50



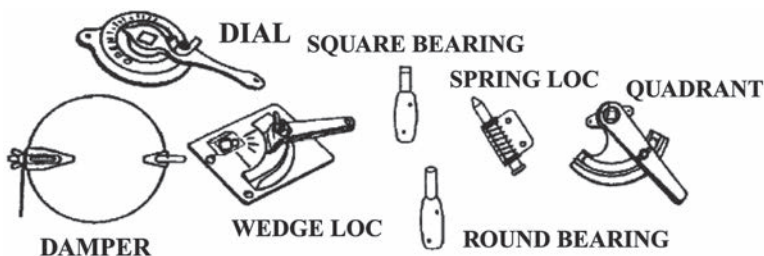
Flex Connector

Size
3" x 3" x 3" (100' roll)
4" x 3" x 4" (100' roll)

• Standard: Vinyl
 • Neoprene & other material available upon request

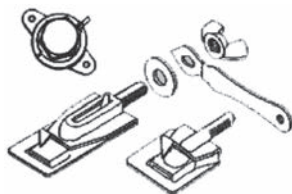


Dampers Hardware And Screws



Hardware

Damper	Spring Loc
Dial	Wedge Loc
Square Bearing	Quadrant
Round Bearing	Handle



Screws/Bolts/Nuts & Rivets

- Screws for sheet metal and wood are available in different in sizes
- Screws are available in Tek or Zip types
- Bolts, nuts, and washers are also available in various sizes
- Rivets are available in Aluminum & Stainless Steel
- Sheet Metal tools are in stock



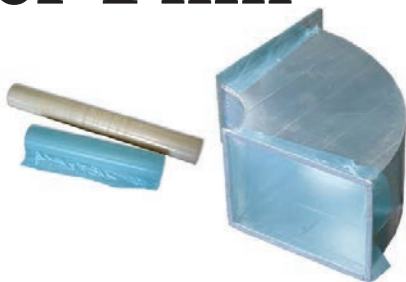
Insulation & Fire Wrap

Product	Size
Duct Liner Insulation	1/2", 1", 1-1/2" & 2" <ul style="list-style-type: none"> • Various sizes available in stock • Available in different densities • Available in 50'L & 150'L
Duct Liner Insulation	1", 2" & 3" <ul style="list-style-type: none"> • The specialty wrap available upon request
Duct Liner Insulation	1-1/2" & 2" <ul style="list-style-type: none"> • Available in 24" & 48" width



Duct Cover Film

- Standard: 2.5mil, clear or blue
- Comes in 24" & 36", 200 ft long
- Protects and seals duct from contaminants
- Meets SMACNA Standards
- UV resistant, tear, & puncture strength
- High tack and no residue upon removal with anti-bacterial adhesive agents
- Other sizes available upon request



Pigtails/Powercord

Size
6'L
• Gromets available upon request



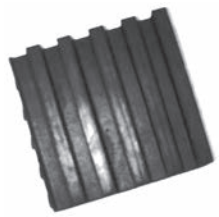
ISO Spring Hangers

- All types of spring isolators and hangers
- Most available in stock



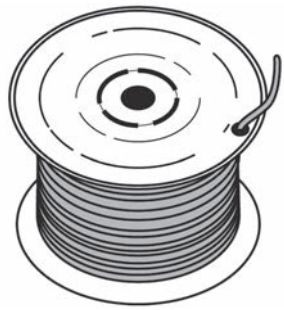
ISO Pads

Size
2" x 2"



Thermostat Wire

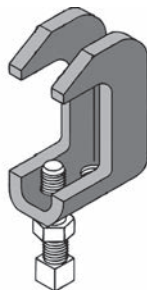
Ga.	Length
18-5	250'
18-6	250'
18-8	250'
18-10	250'
20-5	250'
20-6	250'
20-8	250'



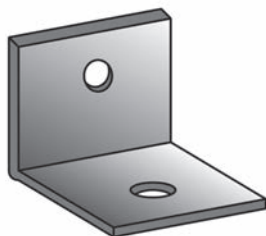
• Plenum rated wire available upon request

Hanger Hardware

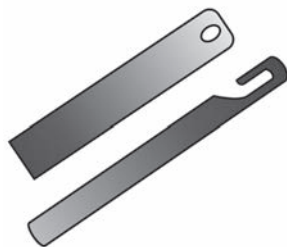
Description	Size
Beam Clamp "C" Type w/ Locknut	3/8"
• Other sizes available upon request	



Description	Size
Side Beam Bracket Angle	2" x 2" w/ 3/8" holes
• Other sizes available upon request	



Description	Size
Beam Clamp Strap	3/8" x 12"
Beam Clamp Adj. Strap	3/8" x 12"
• Other sizes available upon request	

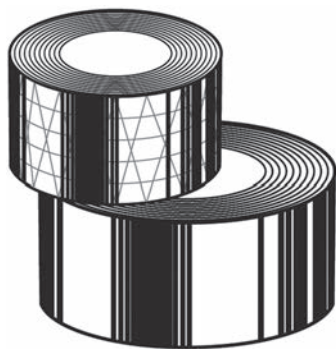


Description	Size
Threaded Rod	3/8" x 10'L
	1/2" x 10'L
• Zinc plated	



Duct & Foil Tape

Type	Size	Specification
AL Foil	3" x 50yd	Non UL Printed
AL Foil	2.5" x 60yd	Non UL Printed
AL Foil Grip	2" x 50yd	Non UL Printed
AL Foil Grip	3" x 50yd	Non UL Printed
AL Foil	3" x 50yd	Non UL Printed
Cloth	2" x 60yd	Non UL Printed
Cloth	2" x 60yd	Non UL Printed
Cloth	2" x 60yd	Non UL Printed
Filament	3/4" x 60yd	Non UL Printed
Flag	13/16"x150ft	Non UL Printed
Flex	2" x 120yd	Non UL Printed
Flex	2" x 120yd	Non UL Printed
FSK	3" x 150ft	Non UL Printed



Duct Sealer & Adhesives

DP1010/1020/1030

CCWI - 181

Caulking

- DP1010 and DP1020 available in Cartridge or Gallon
- Caulking available in clear or white
- Duct liner adhesive available in 5 Gal., 55 Gal. & spray cans



Fire Stop

Size

10.5oz. Cartridge



Copper Fittings

Fittings
Adapters
Bushings
Couplings
Elbows
Street Elbows
• Call for sizes and availability



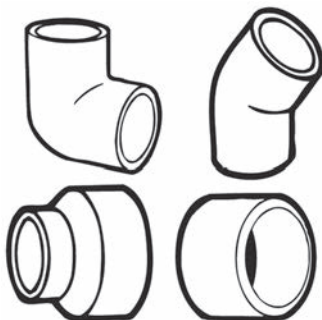
Copper Line Set

Size
1-1/8" x 3/8" x 3/4" ins.
3/4" x 3/8" x 3/4" ins.
7/8" x 3/8" x 3/4" ins.
• Other sizes, gauges, & material available



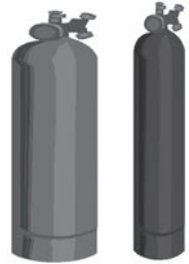
PVC Pipe & Fittings

Fittings	
Pipe	Elbows
Adapters	Traps
Couplings	Tees
Caps	Cement/Primer
Drain Slip Fitting	



Service Gases

Gases
Oxygen
Acetylene



Brazing Alloy

- Contains 15% silver solder



Black Iron Pipe & Fittings

Fittings	Nipples
Pipe	Tees
Coupling	Caps
Elbows	...& more

• Available in 1/2" and 3/4"



Gas Line/Connectors

Size
1/2" MIP x 1/2" FIP Ball
3/8" MIP x 1/2" FIP Ball

• Gromets available upon request



Smoke Detectors

- Low-Flow Technology: Both Ionization and Photoelectric models available
- Interconnect up to 30 units for common functions
- Flashing LED on detector head indicates normal operation



Thermostats

Size

5 Day Programmable

7 Day Programmable

Non-Programable

- Available in Battery or A/C Powered



Whips

Size

1/2"

3/4"

Length

6'

6'

- Whips & fittings are sold in bulk



Freon

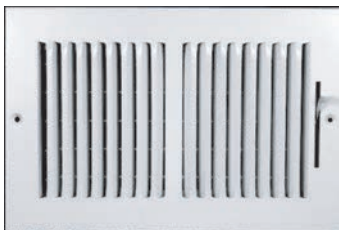
R22

R410A



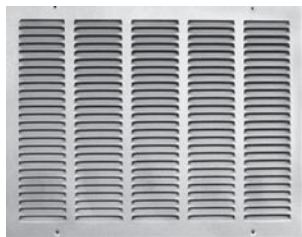
Stamped Grilles and Registers

Size		
2-Way	2-Way	2-Way
8" x 4"	8" x 4"	8" x 8"
10" x 6"	10" x 6"	10" x 10"
12" x 6"	12" x 6"	12" x 12"
12" x 8"	12" x 8"	14" x 14"
14" x 6"	14" x 6"	
14" x 8"	14" x 8"	
	14" x 10"	
• Other sizes available upon request		



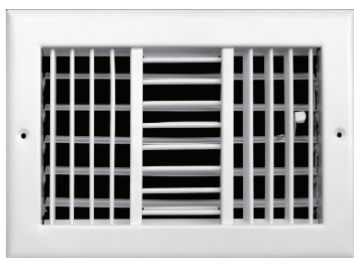
Stamped Return and Filter Grilles

Size	
Return Grille	Return Filter Grille
10" x 6"	24" x 12"
10" x 10"	24" x 14"
14" x 6"	24" x 16"
14" x 8"	24" x 18"
14" x 14"	24" x 20"
20" x 20"	30" x 14"
24" x 16"	30" x 20"
	36" x 20"
• Other sizes available upon request	



Bar Type Grilles and Registers

Size	
1-Way	3-Way
8" x 4"	10" x 6"
10" x 6"	10" x 10"
10" x 10"	12" x 6"
12" x 6"	12" x 12"
12" x 12"	14" x 6"
14" x 6"	14" x 8"
14" x 8"	14" x 10"
14" x 14"	
• Other sizes available upon request	



Bar Type Return and Filter Grilles

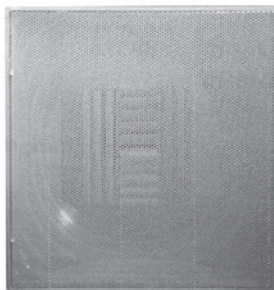
Size	
Return Grille	Return Filter Grille
8" x 8"	20" x 20"
10" x 10"	24" x 12"
12" x 12"	24" x 14"
14" x 14"	30" x 14"
	30" x 16"
	30" x 20"
• Other sizes available upon request	



T-Bar Perforated Supply Diffuser

Curve Blades

Size
6"
8"
10"
12"
14"



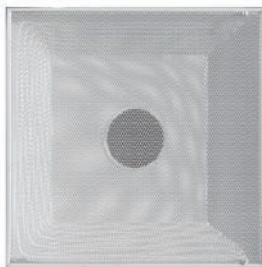
T-Bar Perforated Cone Diffuser

Size	
6"	14"
8"	16"
10"	18"
12"	



T-Bar Perforated Return Air Diffuser

Size	
6"	14"
8"	16"
10"	18"
12"	



Ventilation Fans



From bathroom ventilation fans, attic ventilation fans, ceiling fans, and commercial size exhaust fans. We can supply all of your ventilaiton needs.



Fire/Smoke Dampers

Fire/Smoke Dampers are used in HVAC systems where both a Fire Damper and Smoke Damper are needed in the same location. The dampers have passed both UL555 and UL555S test requirements for dynamic fire dampers and smoke dampers.

• Class I Leakage
• Class II Leakage
• Fire/Smoke Damper for tunnel & corridor applications
• Class II Leakage



Backdraft Dampers

From light to heavy duty applications, Lau can provide the perfect backdraft damper for your HVAC needs.

• Light/Medium duty aluminum dampers
• Counter Balanced Dampers
• Standard Galvanized Steel Dampers
• Round Backdraft Dampers also available



Control Dampers

Lau's commercial control dampers help make buildings more comfortable and energy efficient. They provide high performance and are an excellent value.

• Standard steel control damper
• Low leakage air foil blade
• Aluminum control damper
• Accessories/Options: 24volt / 20volt motor



Gas Detection System

40 Input Digital Controller
Supports 40 transmitter/sensors
Controls up to 99 relays
Digital RS-485 or Analog
Relays, LCD display, LED alarm status



Sensor Digital Controller
Supports 4 digital transmitter/sensors
Controls up to 4 relays
RS-485 and Analog outputs



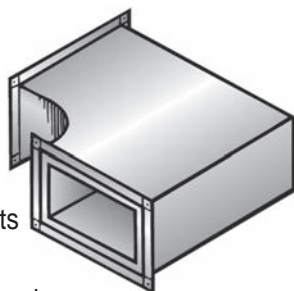
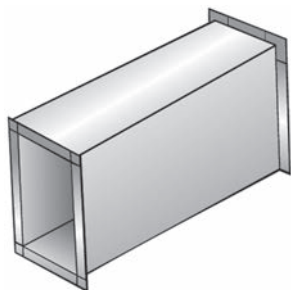
Gas Detection Sensor
Electrochemical Toxic sensor
Oxygen, Nitrogen Dioxide, Carbon Monoxide, Nitric Oxide, and Ammonia
Range fully adjustable
4-20mA or 2-10VDC output fully assignable within the range
LCD display
Two optional SPDT relays



Submittal Sheet

Rectangular Duct & Fittings

- Pacific Duct Inc. Rectangular Ducts and Fittings are fabricated from galvanized steel per ASTM-ASTM-A-90, A568, A653, A924 and are in accordance with the latest edition of SMACNA Duct construction standards.
- Reference SMACNA tables 1" - 10" W.G. for construction standards and reinforcement schedule.
- Options of stainless steel, aluminum, paint-lock, and other materials are available upon request.
- All ducts are beaded on 12" centers, with first bead 6" from end for extra strength. Cross breaking is available upon request.
- Standard duct lengths are 4', 5', or 6'. Other duct lengths are available in any length requested.
- All slips and drives, nuts, bolts, gaskets, reinforcements and misc. hardware are included with duct work.
- All ducts and fittings are available bare, lined, or wrapped.
- All rectangular ducts and fittings are shipped, assembled, unless otherwise specified.



*Submittals and Specs are subject to change without notice.

Alternative Joint Connectors

- Slip & Drive Ductmate
 TDC Other _____

Reinforcement Options

- External Angle Iron
 Internal Tie Rods

Duct Seam Construction

- Pittsburgh
 Snap-Lock

Fittings Seam Construction

- Pittsburgh
 Snap-Lock

Job Name: _____

Location: _____

Mechanical Contractor: _____

Job No: _____

Manufacturer: _____

Date: _____

Submittal Sheet

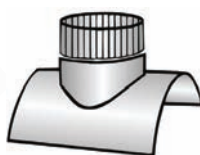
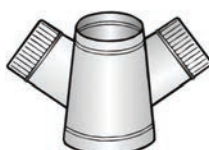
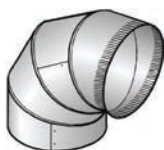
Round Duct & Fittings

Round Duct Standard Gauge Selection

Unreinforced Positive Pressure

Galvanized Steel

SMACNA			UMC		
Dia. (Size)	Spiral Seam	Long Seam	Dia. (Size)	Spiral Seam	Long Seam
3 - 8"	28	28	3 - 14"	26	26
9 - 14"	28	28	16 - 22"	24	24
16 - 26"	26	26	24 - 36"	22	22
28 - 36"	24	24	38 - 50"	20	20
38 - 50"	22	22	52 - 60"	18	18
52 - 60"	20	20	62 - 84"	16	16
62 - 84"	18	18			



Applies to low pressure systems 2" positive static water. Round gauge selection for galvanized Steel as displayed in SMACNA & UMC HVAC Duct Construction Standard Manual

Job Name: _____

Location: _____

Mechanical Contractor: _____

Job No: _____

Manufacturer: _____

Date: _____

TERMS AND CONDITIONS OF SALE

TERMS:

All sales are COD until account is established. Accounts running over 30 days will be assessed a 2% monthly service charge.

PURCHASE ORDERS:

Telephoned purchase orders must be confirmed in writing or by fax to eliminate confusion and errors. Items purchased for use in new or improvement of properties may be subject to the prelim - lien laws of the California Civil Code. All orders are subject to acceptance by Pacific Duct Inc.

CODES AND SPECIFICATIONS:

All metal product items are made of galvanized sheet metal unless otherwise specified. Customer is responsible for ordering proper sheet metal gauges and sizes that conform to code and specifications.

SHIPPING:

All shipping products are F.O.B. Pacific Duct Inc. unless a minimum shipping order of \$750 within a 25 mile radius is met. Orders that do not meet the required freight will be assessed freight charges accordingly. Errors, damage, shortages and overages must be reported within 24 hours. Pacific Duct Inc. will not be held responsible for failure to deliver when conditions are beyond our control.

RETURNS:

All returns must be authorized in advance by Pacific Duct Inc. with a 25% restocking charge on items in good resale condition. No returns can be accepted on special orders, damaged, or non-stock items.

PRICING:

Prices are subject to change without notice