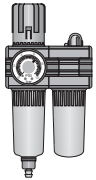
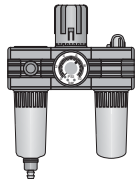


Air Preparation Units



Versions*



Description	airfit <i>light</i>	airfit <i>Swing</i>	airfit Comfort	airfit A25	airfit A50
Filter-Regulator-Lubricator Gauge & bracket included	1/8" 1/4"	1/4" 3/8"	3/8" 1/2"	3/4" 1"	
Filter/Regulator-Lubricator Gauge & bracket included	1/8" 1/4"	1/4" 3/8"	3/8" 1/2"	3/4" 1"	
Filter/Regulator	1/8" 1/4"	1/4" 3/8"	3/8" 1/2"	3/4" 1"	
Filter	1/8" 1/4"	1/4" 3/8"	3/8" 1/2"	3/4" 1"	1-1/2" 2"
Regulator	1/8" 1/4" 1/8" 1/4"	1/4" 3/8"	3/8" 1/2"	3/4" 1"	1-1/2" 2"
Lubricator	1/8" 1/4"	1/4" 3/8"	3/8" 1/2"	3/4" 1"	

*All components available with metric ports; longer lead times apply.

Airfit air preparation from Parker Origa

An Overview

All Parker Origa air preparation equipment offers several advantages over other manufacturers':

- lightweight, compact design
- easy installation
- optimum price/performance ratio
- UV-resistance
- low-resonance susceptibility
- silicone and release agent free
- 3 year guarantee

In addition, the Airfit Swing, Comfort and A25 series offer advantages including

- high operating reliability
- bayonet fitting for bowl guard
- corrosion resistance through high quality surface treatment of the zinc die-cast housing
- modular design for interlock versatility

Parker Origa air preparation equipment is the solution to applications within these industries and more!				
Airfit Light	Airfit Swing	Airfit Comfort	Airfit A25	Airfit A50
<ul style="list-style-type: none"> • oxygen units • control cabinets • pneumatic hand tools • truck applications • handling industry 	<ul style="list-style-type: none"> • assembly operations • electrical industry • material handling operations • packaging industry • woodworking machines • conveyor industry 	<ul style="list-style-type: none"> • packaging industry • automotive engineering • tobacco processing • textile industry • mechanical engineering 	<ul style="list-style-type: none"> • mining • metal smelting • shipbuilding • plastics industry • EX areas to ATEX 	<ul style="list-style-type: none"> • automotive industry • tire plants • foundries • paper mills • steel processing plants • lumber mills • stamping plants • glass processing • rubber industry • plastic processing • PET industry

Data Sheets

Parker Origa data sheets are available electronically in .pdf format via our website, www.parkeroriga.com.

Also, feel free to call 800.695.5984 to have information faxed or emailed to you. We are also happy to send you our comprehensive all-products CD-ROM.

Specialist Services/Technical Support

Feel free to contact our Technical Support group at 800.695.5984. Our product specialists have many years of collective industry experience and training and can address all of your pneumatic and electric product concerns.

Excellent Delivery

Order any stocked airprep component and your order will ship within a maximum of 3-4 business days. Same day shipping is often available without expedite charges.

Please visit www.parkeroriga.com for an expanded version of this catalog online.

General Information

- 1/8" body
- Polymer housing

Filter Units

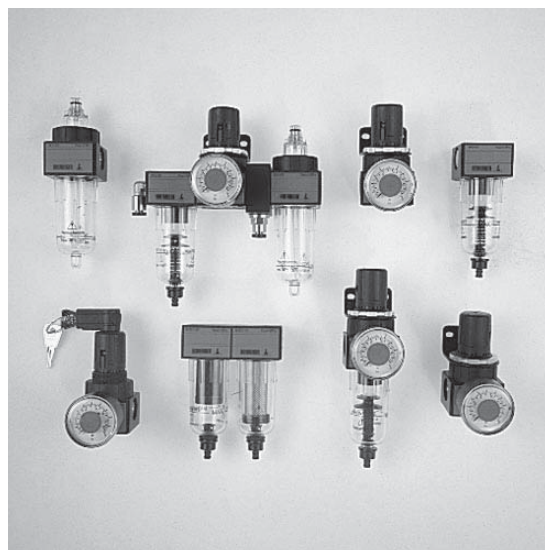
- Cyclone filtration system
- 25, 5 micron filtration available
- Manual, semi-automatic drains available

Regulator Units

- Piston-type with secondary pressure relief
- Vibration proof hand knob

Lubricator Units*

- Flow compensated lubricator
- Manual oil refilling
- This unit not refillable under pressure
- Oil/air, non-proportional (drops/min. remain constant)



Mini Type

Modular, 3-piece F-R-L

2-piece F/R-L

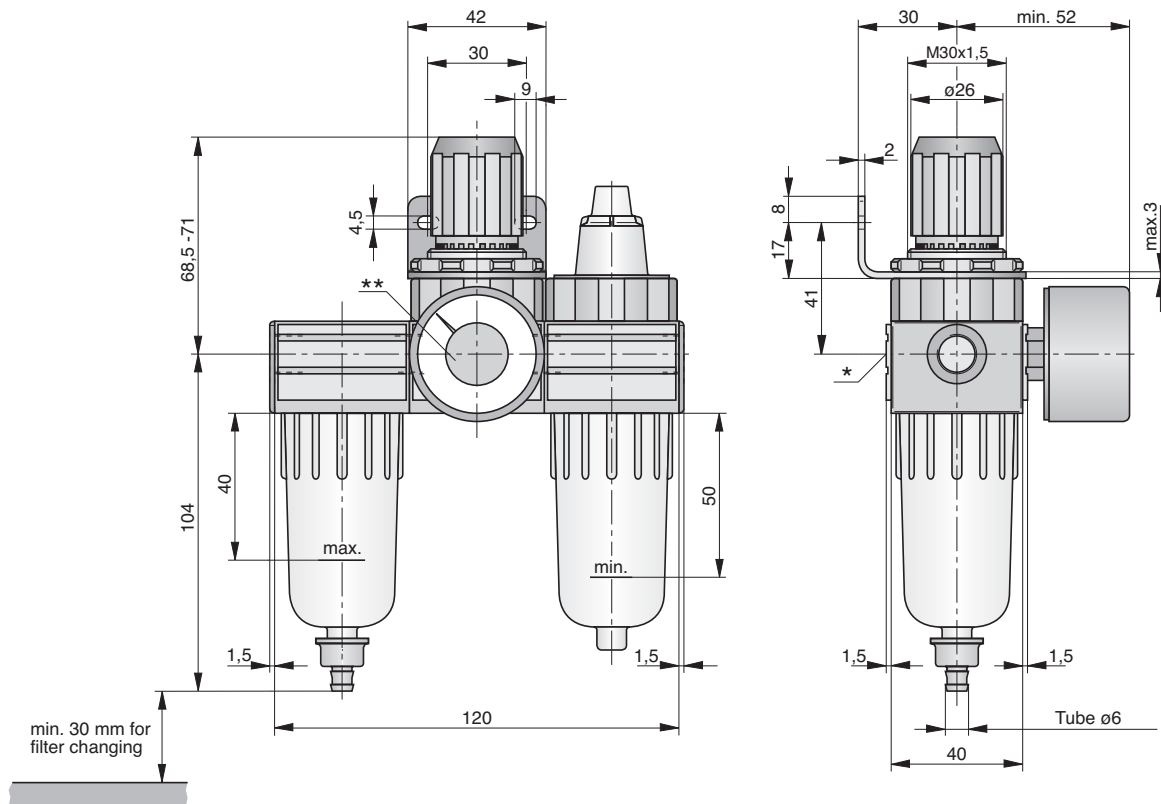
Model	MFRLS-1/8-US	MFRLS-1/4-US	MKLS-1/8-US	MKLS-1/4-US
Port size **	1/8" NPT	1/4" NPT	1/8" NPT	1/4" NPT
Max. condensate capacity	12 cm ³	12 cm ³	12 cm ³	12 cm ³
Condensate drainage	Manual or semi-automatic			
Max oil capacity (cm ³)	35 cm ³	35 cm ³	35 cm ³	35 cm ³
Oil refilling	Manual	Manual	Manual	Manual
Installation	Vertical	Vertical	Vertical	Vertical
Mass (kg)	.40 kg	.40 kg	.32 kg	.32 kg

Medium & Ambient temperatures		°C	0	°C	0
		°C	+50 at 10 bar	°C	+50 at 10 bar
Operating pressure range - inlet	P ₁ min P ₁ max	bar bar	0 10	0 10	
Operating pressure range -outlet	P ₂ min P ₂ max	bar bar	0.5 8 (3, 4) ³	0.5 8 (3, 4) ³	
Recommended flow ¹	Q _n	l/min m ³ /h	300 18	550 18	300 18
Max flow ²	Q _n max	l/min m ³ /h	316 19	440 27	400 24
Degree of moisture separation at recommended flow		%	>90		

Please visit www.parkeroriga.com for an expanded version of this catalog online.

Airfit Light

Dimensions (mm)



Airfit Light Accessories

- mounting bracket
- coupling kits
- porting block kit
- pressure gauge
- regulator springs for different pressure ranges
- plastic bowl guard kit

Notes

¹⁾ at 6.3 bar and 25m/s

²⁾ at $p_1 = 10$ bar and $p_2 = 6.3$ bar, $\Delta p = 1$ bar

³⁾ By the use of special springs, the outlet pressure can be precisely regulated in the specified p_2 range.

* Use only recommended oils with viscosity VG32 to ISO 3448 (32mm²/s at 40°C) or Parker Origa special oil (order KY8766)

** Metric threaded units available on request. Longer lead times apply.

For accessories or replacement bowl assemblies, see page 19.

Please visit www.parkeroriga.com for an expanded version of this catalog online.

General Information

- 1/4" body
- Die-cast aluminum body, plastic cover plates

Filter Units

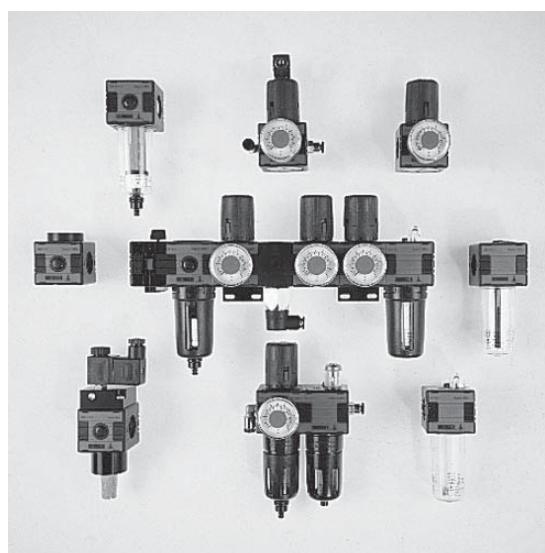
- Cyclone filtration system
- 30, 5 micron filtration available
- Manual, semi-automatic and automatic drains available

Regulator Units

- Diaphragm-type with secondary pressure relief
- Vibration proof hand knob

Lubricator Units*

- Flow compensated lubricator
- Manual oil refilling (during operation)
- Oil/air, non-proportional (drops/min. remain constant)



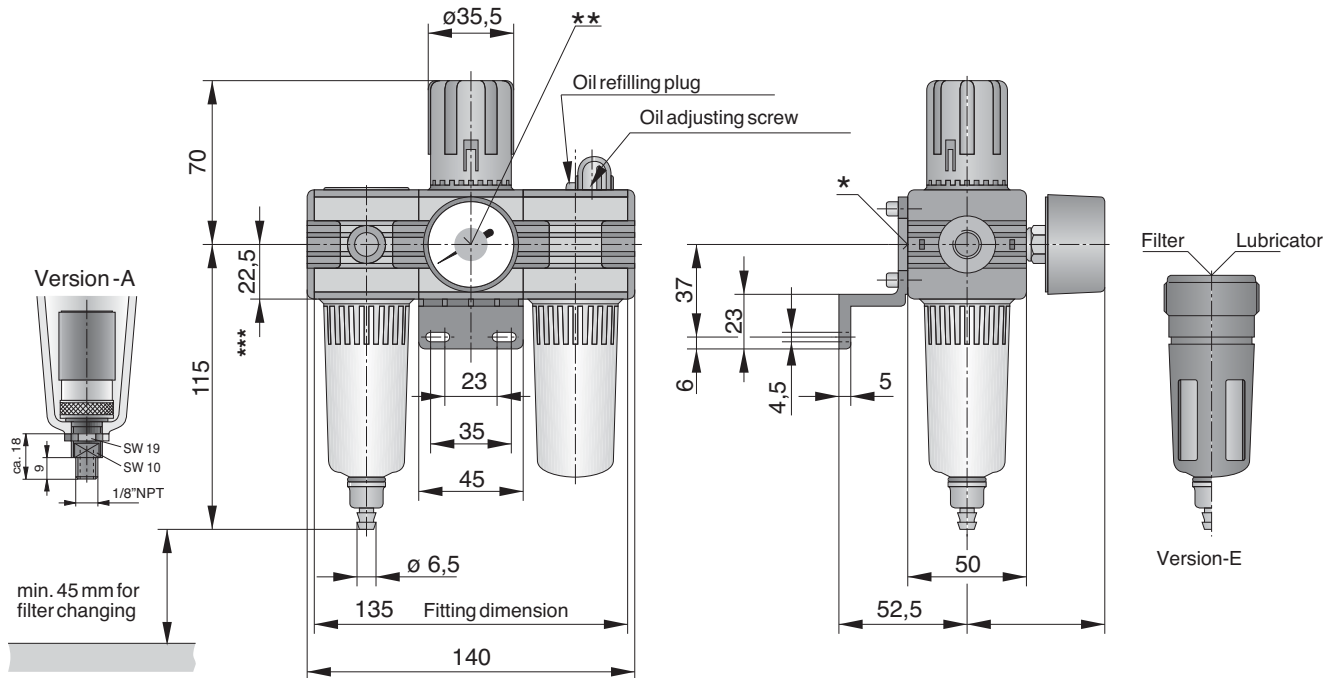
Mid1 Type	Modular, 3-piece F-R-L		2-piece F/R-L	
Model	SFRL-1/4-US	SFRL-3/8-US	SKL-1/4-US	SKL-3/8-US
Port size **	1/4" NPT	3/8" NPT	1/4" NPT	3/8" NPT
Max. condensate capacity (cm ³)	22 cm ³	22 cm ³	22 cm ³	22 cm ³
Condensate drainage	Manual, semi-automatic, or fully automatic			
Max oil capacity (cm ³)	45 cm ³	45 cm ³	45 cm ³	45 cm ³
Oil refilling	Manual	Manual	Manual	Manual
Installation	Vertical	Vertical	Vertical	Vertical
Mass (kg)	.95 kg	.95 kg	.75 kg	.75 kg

Medium & Ambient temperatures		°C 0 °C +50 at 10 bar			°C 0 °C +50 at 10 bar	
Operating pressure range - inlet	P ₁ min P ₁ max	bar bar	0 16		0 16	
Operating pressure range -outlet	P ₂ min P ₂ max	bar bar	0.5 8 (4, 15) ³		0.5 8 (4, 15) ³	
Recommended flow ¹	Q _n	l/min m ³ /h	550 33	680 41	550 33	680 41
Max flow ²	Q _n max	l/min m ³ /h	825 50	790 47	890 53	790 47
Degree of moisture separation at recommended flow		%	>90			

Please visit www.parkeroriga.com for an expanded version of this catalog online.

Airfit Swing

Dimensions (mm)



Airfit Swing Accessories

- mounting bracket
- coupling kits
- porting block kit
- pressure gauge
- regulator springs for different pressure ranges
- metal bowl guard kit
- metal bowl available

Notes

1) at 6.3 bar and 25m/s (at 6.3 bar and 20m/s recommended for 3/8" NPT)

2) at $p_1 = 10$ bar and $p_2 = 6.3$ bar, $\Delta p = 1$ bar

3) By the use of special springs, the outlet pressure can be precisely regulated in the specified p_2 range.

* Use only recommended oils with viscosity VG32 to ISO 3448 (32mm²/s at 40°C) or Parker Origa special oil (order KY8766)

** Metric threaded units available on request. Longer lead times apply.

For accessories or replacement bowl assemblies, see page 19.

Please visit www.parkeroriga.com for an expanded version of this catalog online.

General Information

- 1/2" body
- Die-cast aluminum body, plastic cover plates

Filter Units

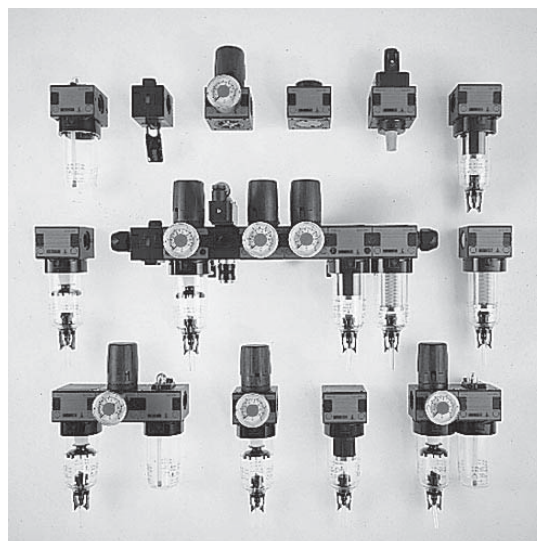
- Cyclone filtration system
- 30, 5 micron filtration available
- Manual, semi-automatic, and automatic drains available

Regulator Units

- Diaphragm-type with secondary pressure relief
- Vibration proof hand knob

Lubricator Units*

- Flow compensated lubricator
- Manual oil refilling (during operation)
- Oil/air, non-proportional (drops/min. remain constant)

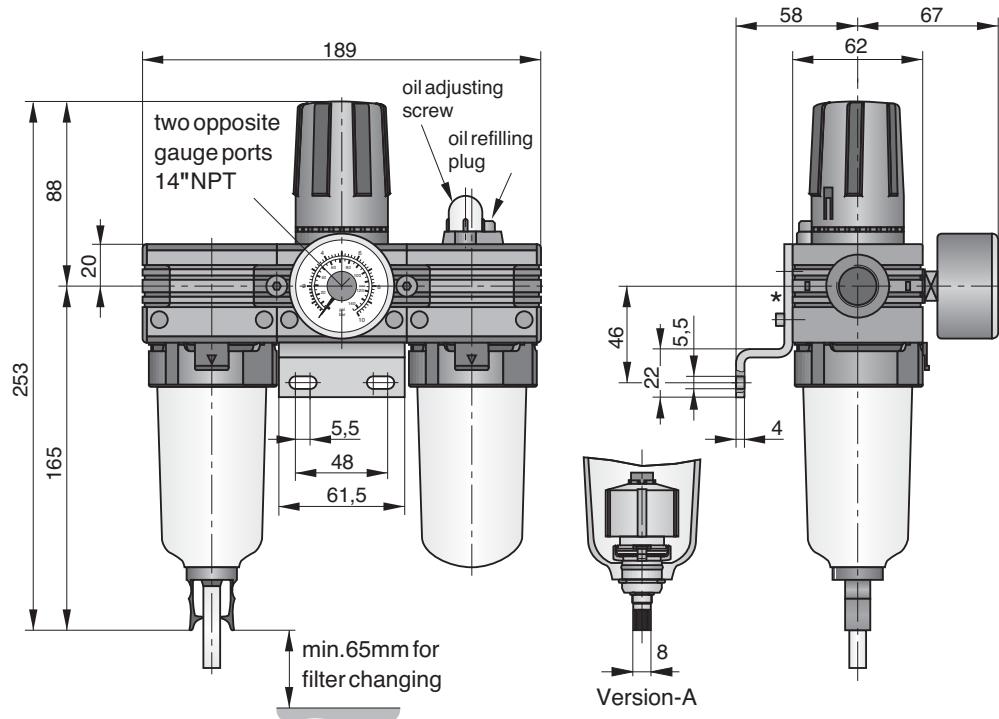


Mid2 Type	Modular, 3-piece F-R-L		2-piece F/R-L	
Model	CFRL-3/8-US	CFRL-1/2-US	CKL-3/8-US	CKL-1/2-US
Port size **	3/8" NPT	1/2" NPT	3/8" NPT	1/2" NPT
Max. condensate capacity (cm ³)	57 cm ³	57 cm ³	57 cm ³	57 cm ³
Condensate drainage	Manual, semi-automatic, or fully automatic			
Max oil capacity (cm ³)	112 cm ³	112 cm ³	112 cm ³	112 cm ³
Oil refilling	Manual	Manual	Manual	Manual
Installation	Vertical	Vertical	Vertical	Vertical
Mass (kg)	2.1 kg	2.2 kg	1.7 kg	1.8 kg

Medium & Ambient temperatures		°C 0 °C +50 at 10 bar			°C 0 °C +50 at 10 bar		
Operating pressure range - inlet	P ₁ min P ₁ max	bar bar	0 16		0 16		
Operating pressure range -outlet	P ₂ min P ₂ max	bar bar	0.5 8 (4, 10) ³		0.5 8 (4, 10) ³		
Recommended flow ¹	Q _n	l/min m ³ /h	850 51	1,900 114	850 51	1,900 114	
Max flow ²	Q _n max	l/min m ³ /h	1,900 114	2,000 120	1,900 114	1,950 117	
Degree of moisture separation at recommended flow		%	>90				

Please visit www.parkeroriga.com for an expanded version of this catalog online.

Dimensions (mm)



Airfit Comfort Accessories

- mounting bracket
- coupling kits
- porting block kit
- pressure gauge
- regulator springs for different pressure ranges
- metal bowl guard
- metal bowl available

Notes

1) at 6 bar and 25 m/s

2) at $p_1 = 10$ bar and $p_2 = 6.3$ bar, $\Delta p = 1$ bar

3) By the use of special springs, the outlet pressure can be precisely regulated in the specified p_2 range.

* Use only recommended oils with viscosity VG32 to ISO 3448 (32mm²/s at 40°C) or Parker Origa special oil (order KY8766)

** Metric threaded units available on request. Longer lead times apply.

For accessories or replacement bowl assemblies, see page 19.

Please visit www.parkeroriga.com for an expanded version of this catalog online.

General Information

- 1" body
- Die-cast aluminum body, plastic cover plates
- Usable in ATEX areas

Filter Units

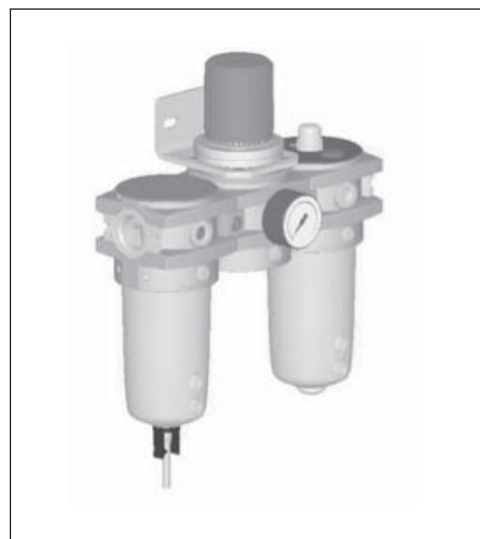
- Cyclone filtration system
- 30, 5 micron filtration available
- Manual, semi-automatic, and automatic drains available

Regulator Units

- Diaphragm-type with secondary pressure relief
- Vibration proof hand knob

Lubricator Units*

- Flow compensated lubricator
- Manual oil refilling (during operation)
- Automatic refill on request
- Oil/air, non-proportional (drops/min. remain constant)
- Oil level indicator optional



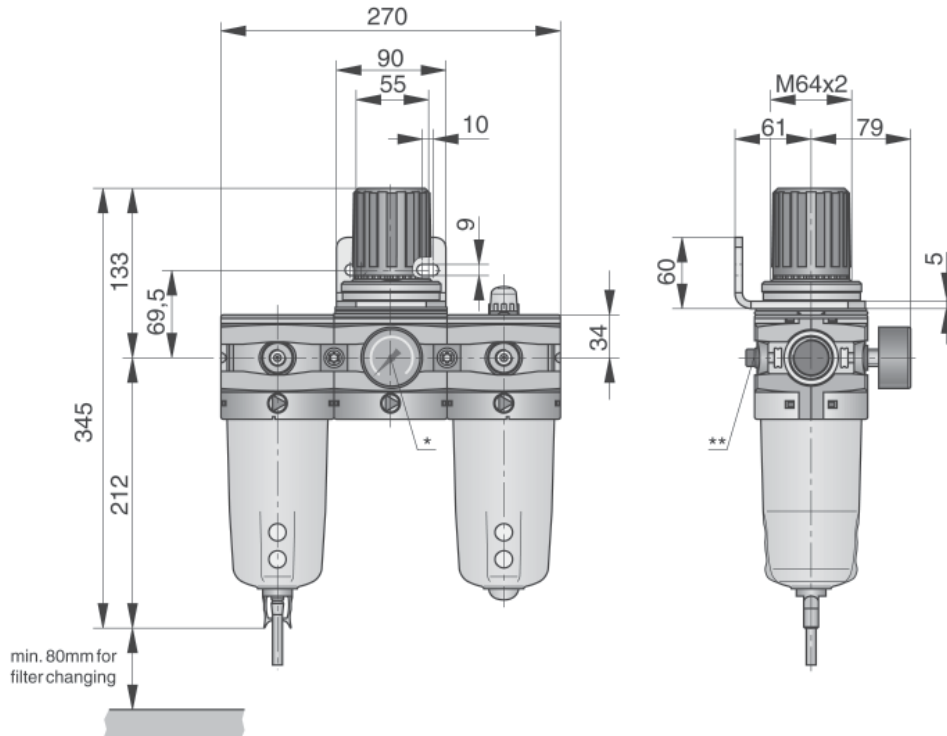
Large Type	Modular, 3-piece F-R-L		2-piece F/R-L	
Model	A25FRL-3/4-EMW	A25FRL-1-EMW	A25KL-3/4-EMW	A25KL-1-EMW
Port size **	3/4" NPT	1" NPT	3/4" NPT	1" NPT
Max. condensate capacity (cm ³)	500 cm ³	500 cm ³	500 cm ³	500 cm ³
Condensate drainage	Manual, semi-automatic, or fully automatic			
Max oil capacity (cm ³)	500 cm ³	500 cm ³	500 cm ³	500 cm ³
Oil refilling	Manual or auto	Manual or auto	Manual or auto	Manual or auto
Installation	Vertical	Vertical	Vertical	Vertical
Mass (kg)	3.3 kg	3.3 kg	2.8 kg	2.8 kg

Medium & Ambient temperatures		°C 0 °C +50 at 10 bar			°C 0 °C +50 at 10 bar	
Operating pressure range - inlet	P ₁ min P ₁ max	bar bar	0 17.5			0 17.5
Operating pressure range -outlet	P ₂ min P ₂ max	bar bar	0.5 12.0			0.5 12.0
Max flow ²	Q _n max	l/min m ³ /h	7,900 474	12,580 755	8,600 879	14,650 879
Degree of moisture separation at recommended flow		%	>90			

Please visit www.parkeroriga.com for an expanded version of this catalog online.

Airfit A25

Dimensions (mm)



Airfit A25 Accessories

- mounting bracket
- coupling kits
- porting block kit
- pressure gauge
- regulator springs for different pressure ranges
- all metal bowl (no sight glass)

Notes

¹⁾ at 6 bar and 25 m/s

²⁾ at $p_1 = 10$ bar and $p_2 = 6.3$ bar, $\Delta p = 1$ bar

* Use only recommended oils with viscosity VG32 to ISO 3448 (32mm²/s at 40°C) or Parker Origa special oil (order KY8766)

** Metric threaded units available on request. Longer lead times apply.

For accessories or replacement bowl assemblies, see page 19.

Please visit www.parkeroriga.com for an expanded version of this catalog online.

General Information

- Die-cast aluminum body

Filter Unit

- Cyclone filtration system
- 30, 5 micron filtration available
- Fully automatic drain
- Service life indicator

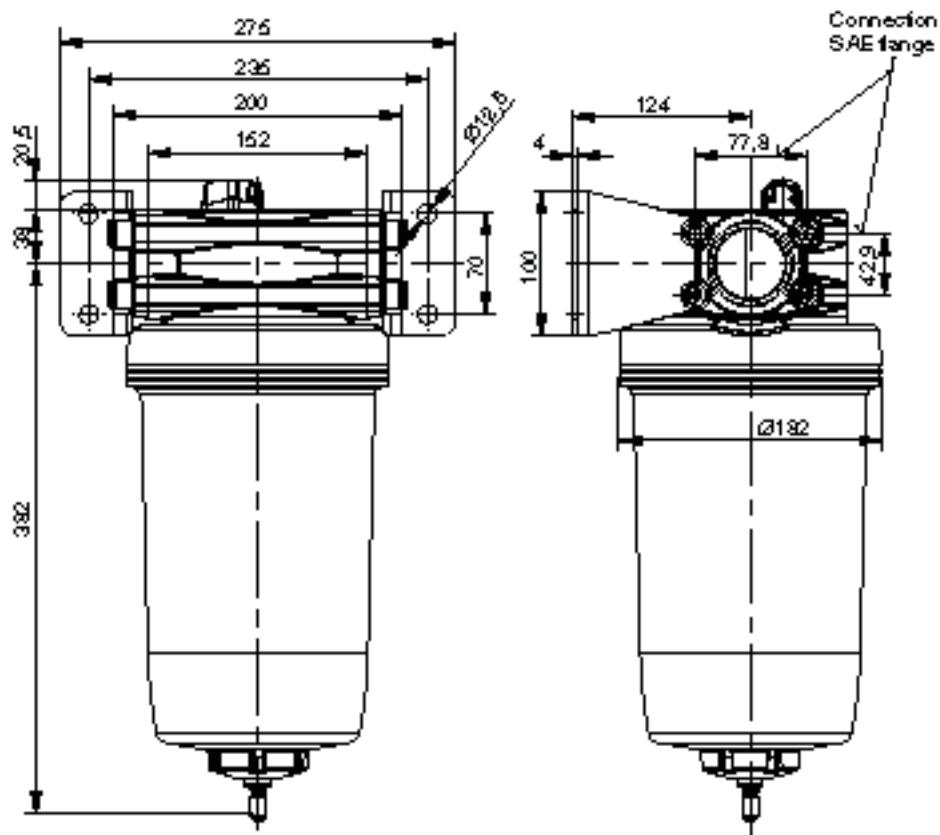


System			Cyclone system and filter element	Dust Filter
Type			A50F-ADV	A50FD-DV
Connection			SAE flange	SAE flange
Port size			G2 (G1 1/2)	G2 (G1 1/2)
Port size of filter element		μm	Standard:30 On request: 5	1
Condensate capacity		cm^3	Max. 600	
Condensate drainage			fully automatic (float-type)	manual
Installation			Vertical	
Medium and ambient temperatures	ϑ_{min} ϑ_{max}	$^{\circ}\text{C}$ $^{\circ}\text{C}$	0 60	
Weight (mass)		kg	6.3	6.4
Pneumatic Characteristic				
Operating pressure range - inlet pressure	p_{min} p_{max}	bar bar	0 17.5	
Operating pressure range - outlet pressure	$p_{2\text{min}}$ $p_{2\text{max}}$	bar bar	0.5 8	0.5 16 ($p_{\text{st}} > 10\text{bar}$)
Recommended flow ¹⁾	Q_{n}	l/min m^3/h	10,000 600	10,000 600
Maximum flow ²⁾	Q_{max}	l/min m^3/h	>40,000 >2,400	
Degree of moisture separation at recommended flow	η	%	95	—

Please visit www.parkeroriga.com for an expanded version of this catalog online.

Airfit A50

Dimensions (in mm)



Airfit A50 Accessories

- mounting kit
- coupling kits
- connection kit (G1 1/2, G2)
- porting block kit

Notes

¹⁾ at 6 bar, DN 50 and 12 m/s

²⁾ at $p_1 = 10$ bar, $\Delta p = 1$ bar

For accessories or replacement bowl assemblies, see page 19.

Please visit www.parkeroriga.com for an expanded version of this catalog online.

General Information

- Die-cast aluminum body, plastic cover plates

Regulator Units

- Diaphragm-type with secondary pressure relief
- Vibration proof hand knob



System			Pilot operated diaphragm-type pressure regulating valve with secondary pressure relief and flow compensation	
Type			A50R	A50RV
Connection			SAE flange	SAE flange
Port size			G2 (G1 1/2)	G2 (G1 1/2)
Installation			In any position	
Medium and ambient temperatures	ϑ_{\min} ϑ_{\max}	°C °C	0 (further temperatures on request) +60	
Weight (mass)		kg	3.5	3.4
Pneumatic Characteristic				
Operating pressure range - inlet pressure	$p_{1\min}$ $p_{1\max}$	bar bar	0 17.5	
Operating pressure range - outlet pressure	$p_{2\min}$ $p_{2\max}$	bar bar	0.5 8	0.5 16 ($p_{st} > 10\text{bar}$)
Min. pressure difference	$p_1 - p_2$	bar	0.2	
Recommended flow ¹⁾	Q_n	l/min m ³ /h	10000 600	10000 600
Maximum flow ²⁾	Q_{\max}	l/min m ³ /h	>40000 >2400	
Own air usage			Low	
Recommended pilot pressure regulating valve			integrated	SR-1/4

Airfit A50 Accessories

- mounting kit
- coupling kits
- connection kit (G1 1/2, G2)
- porting block kit (G1 1/2)
- recommended pilot pressure regulating valve SR-1/4 (with spring to 16 bar)

Notes

¹⁾ at 6 bar and 12 m/s

²⁾ at $p_1 = 10\text{ bar}$ to $p_2 = 6.3$, $\Delta p = 1\text{ bar}$

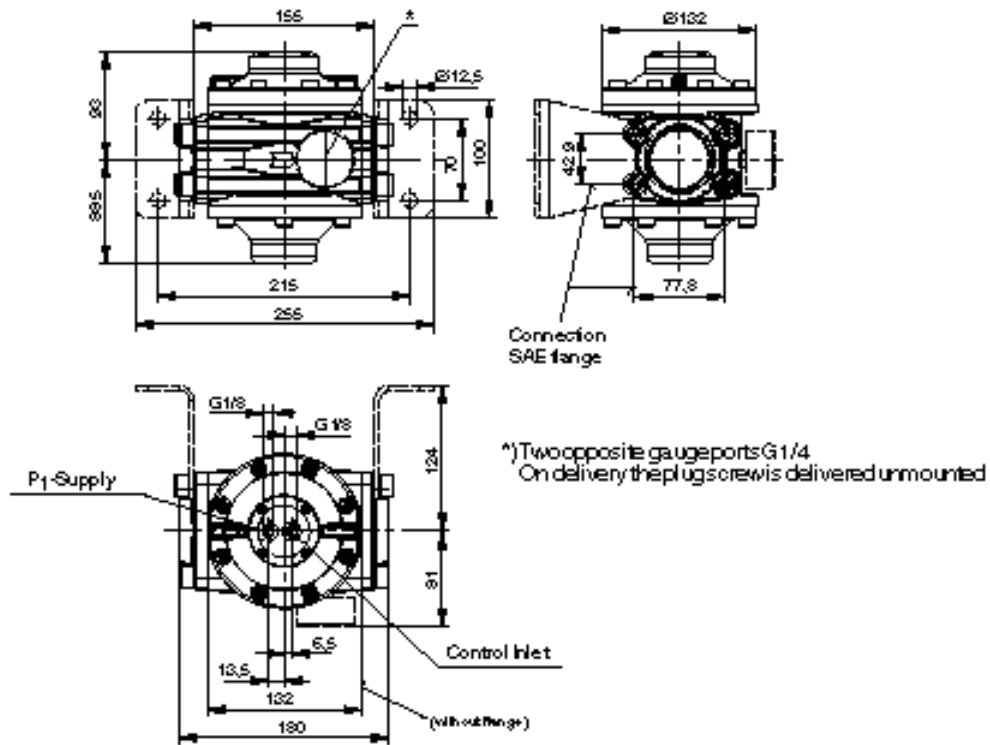
For accessories or replacement bowl assemblies, see page 19.

Please visit www.parkeroriga.com for an expanded version of this catalog online.

Airfit A50

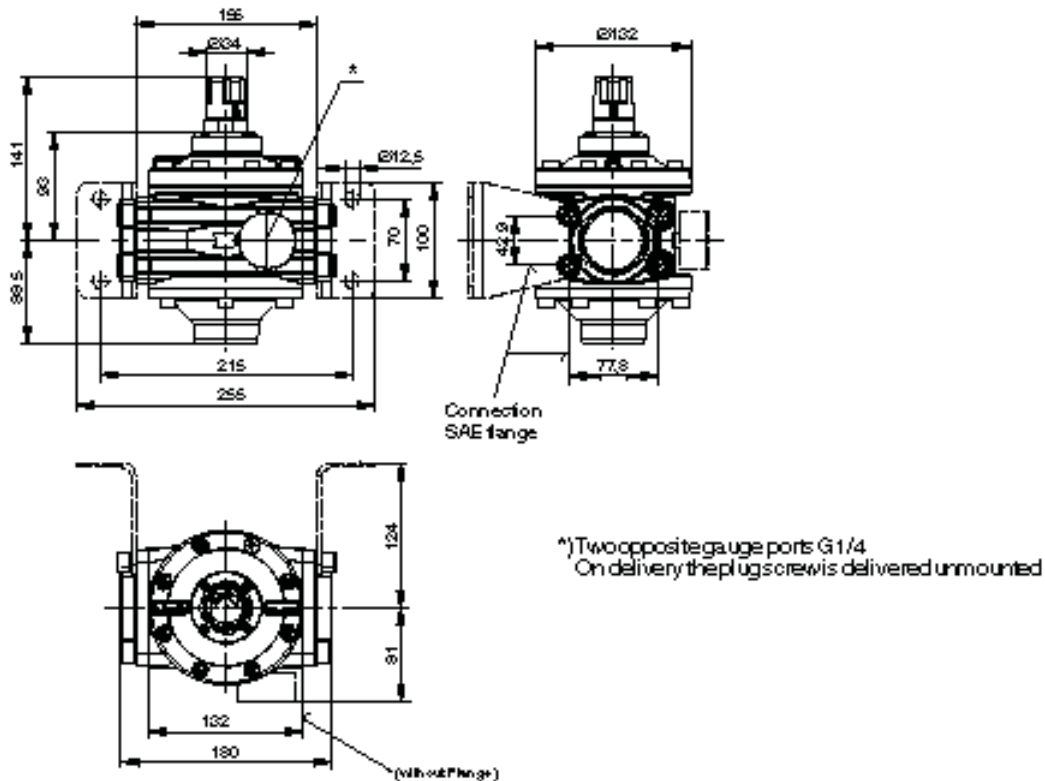
Dimensions (in mm)

Type: A50RV



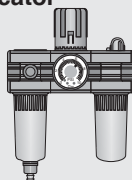
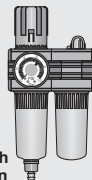




Dimensions (in mm)

Type: A50R



Please visit www.parkeroriga.com for an expanded version of this catalog online.

Ordering Information

Description	NPT Port Size*	Unit Size	Series	Type Number	Order Number
Filter-Regulator-Lubricator  Pictured with manual drain ‡	1/8"	MINI	Airfit Light	MFRL-1/8-US	PB 40849-N100
	1/4"	MINI	Airfit Light	MFRL-1/4-US	PB 40949-N100
	1/4"	MID1	Airfit Swing	SFRL-1/4-US	PB 48149-N000
	3/8"	MID1	Airfit Swing	SFRL-3/8-US	PB 48249-N000
	3/8"	MID2	Airfit Comfort	CFRL-3/8-US	PB 58249-N000
	1/2"	MID2	Airfit Comfort	CFRL-1/2-US	PB 58349-N000
	3/4"	LARGE	Airfit A25	A25FRL-3/4-EMW	PB 63449-N000
	1"	LARGE	Airfit A25	A25FRL-1-EMW	PB 63549-N000
Filter/Regulator-Lubricator  Pictured with manual drain ‡	1/8"	MINI	Airfit Light	MKL-1/8-US	PB 40449-N100
	1/4"	MINI	Airfit Light	MKL-1/4-US	PB 40549-N100
	1/4"	MID1	Airfit Swing	SKL-1/4-US	PB 48449-N000
	3/8"	MID1	Airfit Swing	SKL-3/8-US	PB 48549-N000
	3/8"	MID2	Airfit Comfort	CKL-3/8-US	PB 58549-N000
	1/2"	MID2	Airfit Comfort	CKL-1/2-US	PB 58649-N000
	3/4"	LARGE	Airfit A25	A25KL-3/4-EMW	PB 63649-N000
	1"	LARGE	Airfit A25	A25KL-1-EMW	PB 63749-N000
Filter/Regulator  Pictured with manual drain	1/8"	MINI	Airfit Light	MKS-1/8-US	PB 40049-N100
	1/4"	MINI	Airfit Light	MKS-1/4-US	PB 40149-N100
	1/4"	MID1	Airfit Swing	SK-1/4-US	PB 45749-N000
	3/8"	MID1	Airfit Swing	SK-3/8-US	PB 45849-N000
	3/8"	MID2	Airfit Comfort	CK-3/8-US	PB 55849-N000
	1/2"	MID2	Airfit Comfort	CK-1/2-US	PB 55949-N000
	3/4"	LARGE	Airfit A25	A25K-3/4-E	PB 62249-N000
	1"	LARGE	Airfit A25	A25K-1-E	PB 62349-N000
Filter  Pictured with manual drain	1/8"	MINI	Airfit Light	MFS-1/8-US	PB 40649-N100
	1/4"	MINI	Airfit Light	MFS-1/4-US	PB 40749-N100
	1/4"	MID1	Airfit Swing	SF-1/4-US	PB 45149-N000
	3/8"	MID1	Airfit Swing	SF-3/8-US	PB 45249-N000
	3/8"	MID2	Airfit Comfort	CF-3/8-US	PB 55249-N000
	1/2"	MID2	Airfit Comfort	CF-1/2-US	PB 55349-N000
	3/4"	LARGE	Airfit A25	A25F-3/4-E	PB 61649-N000
	1"	LARGE	Airfit A25	A25F-1-E	PB 61749-N000
	For SAE Flange		Airfit A50	A50F-ADV	PB 60949-N000
	1 1/2"		Airfit A50	A50F-1 1/2-ADV	PB 60849-N050
2"		Airfit A50	A50F-2-ADV	PB 60949-N050	
Coalescing Filter  Pictured with manual drain	1/8"	MINI	Airfit Light	MF007-1/8-US	PB 37349-N000
	1/4"	MINI	Airfit Light	MF007-1/4-US	PB 37449-N000
	1/4"	MID1	Airfit Swing	MF012-1/4-US	PB 49149-N000
	3/8"	MID1	Airfit Swing	MF012-3/8-US	PB 49249-N000
	3/8"	MID2	Airfit Comfort	MF036-3/8-V-US	PB 59249-N010
	1/2"	MID2	Airfit Comfort	MF036-1/2-V-US	PB 59349-N010
	3/4"	LARGE	Airfit A25	A25MF230-3/4-EV	PB 62549-N010
	1"	LARGE	Airfit A25	A25MF230-1-EV	PB 62649-N010
Regulator 	1/8"	MINI	Airfit Light	MRP-1/8-US	PB 21749-N500
	1/4"	MINI	Airfit Light	MRP-1/4-US	PB 21649-N500
	1/4"	MID1	Airfit Swing	SR-1/4-US	PB 45449-N000
	3/8"	MID1	Airfit Swing	SR-3/8-US	PB 45549-N000
	3/8"	MID2	Airfit Comfort	CR-3/8-US	PB 55549-N000
	1/2"	MID2	Airfit Comfort	CR-1/2-US	PB 55649-N000
	3/4"	LARGE	Airfit A25	A25R-3/4	PB 61849-N000
	1"	LARGE	Airfit A25	A25R-1	PB 61949-N000

Notes

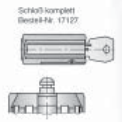


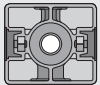
‡ All FRL assemblies are supplied with a gauge and a mounting bracket

* All components are also offered with metric ports; however, longer lead times apply.

** Stand alone version only.

Please visit www.parkeroriga.com for an expanded version of this catalog online.

Ordering Information




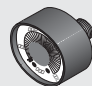

Description	NPT Port Size*	Unit Size	Series	Type Number	Order Number	
Regulator (continued)	For SAE Flange For SAE Flange 1 1/2" 2" 1 1/2" 2"			A50R A50RV A50R-1 1/2 A50R-2 A50RV-1 1/2 A50RV-2	PB 60649-N020 PB 60649-N000 PB 60549-N070 PB 60649-N070 PB 60549-N050 PB 60649-N050	
Special Regulators						
Brass Bodied Regulator/Panel Mounting	1/8" 1/4"	MINI MINI	Airfit Light Airfit Light	MRS-1/8-US MRS-1/4-US	PB 21749-N010 PB 21649-N010	
Water Regulator	1/8" 1/4"	MINI MINI	Airfit Light Airfit Light	WRS-1/8-US WRS-1/4-US	PB 21749-N020 PB 21649-N020	
Dual Pressure Regulator (metric only)	G1/4 G1/4	MINI MINI	Airfit Light Airfit Light	MR-1/4-P, Pneumatic MR-1/4-E, Electric-24 VDC Other voltages on request	PB 21649-200 PB 21649-203	
Regulator for Keylock Adaptor	1/4" 3/8" 3/8" 1/2" 3/4" 1"	MID1 MID1	Airfit Swing Airfit Swing Airfit Comfort Airfit Comfort Airfit A25 Airfit A25	SR-1/4-X-US SR-3/8-X-US CR-3/8-X-US CR-1/2-X-US A25R-3/4-X-US A25R-1-X-US	PB 45449-N006 PB 45549-N006 PB 55549-N006 PB 55649-N006 PB 61849-N006 PB 61949-N006	
Key				Fits Airfit Swing, Comfort, A25	PL 17127	
Lubricator		1/8" 1/4" 1/4" 3/8" 3/8" 1/2" 3/4" 1"	MINI MINI MID1 MID1 MID2 MID2 LARGE LARGE	Airfit Light Airfit Light Airfit Swing Airfit Swing Airfit Comfort Airfit Comfort Airfit A25 Airfit A25	MLS-1/8-US MLS-1/4-US SL-1/4-US SL-3/8-US CL-3/8-US CL-1/2-US A25L-3/4-E A25L-1-E	PB 40249-N100 PB 40349-N100 PB 46149-N000 PB 46249-N000 PB 56249-N000 PB 56349-N000 PB 62049-N000 PB 62149-N000
Wicking Lubricator		1/4" 1/4" 1/4"	MID1 MID1 MID1	Airfit Swing Airfit Swing Airfit Swing	SEL-1/4-3-US, flow diameter 3mm SEL-1/4-4-US, flow diameter 4mm SEL-1/4-5-US, flow diameter 5mm	PB 46449-N300 PB 46449-N400 PB 46449-N500
Porting Block		1/8", 1/4" 1/4" 3/8" 3/8" 1/2" 3/4", 1" 1-1/2"	MINI MID1 MID1 MID2 MID2 LARGE	Airfit Light Airfit Swing Airfit Swing Airfit Comfort Airfit Comfort Airfit A25 Airfit A50	For Airfit Light 1/4" NPT 3/8" NPT 3/8" NPT 1/2" NPT 3/4" NPT 1-1/2" NPT	PL 17766 PL 17628 PL 17628 PL 17746 PL 17731 PL 18986 PL 18739

* All components are also offered with metric ports; however, longer lead times apply.

+ Requires regulator with keylock adaptor.

Please visit www.parkeroriga.com for an expanded version of this catalog online.

Ordering Information

Description	NPT Port Size*	Unit Size	Series	Type Number	Order Number
Porting Block for Pressure Switch			Airfit Swing	Modified to allow for pressure switch	PL 16977
			Airfit Comfort	Modified to allow for pressure switch	PL 17609
			Airfit A25	Modified to allow for pressure switch	PL 18986
Pressure Switch				Pressure switch	KL 3206
Mounting Bracket 		MINI MID1 MID2 LARGE	Airfit Light Airfit Swing Airfit Comfort Airfit A25 Airfit A50		PL 15531 PL 16965 PL 17518 PL 18990 PL 18672
Coupling Kit 		MINI MINI MID1 MID2 LARGE	Airfit Light - 2 Units Airfit Light - 3 Units Airfit Swing Airfit Comfort Airfit A25		PL 16030 PL 16755 PL 16959 PL 17608 PL 18197
Bowl Guard Kit 		MINI MID1 MID2	Airfit Light Airfit Swing Airfit Comfort		PL 18344 PL 16970 PL 17680
Pressure Gauge‡ 		MINI, MID1 MID2 LARGE LARGE	Airfit Light/Swing Airfit Comfort Airfit A25 Airfit A50	1.5" face, 0-145 PSI, fits 1/8" NPT ports 2" face, 0-160 PSI, fits 1/4" NPT ports 2" face, 0-160 PSI, fits 1/4" NPT ports 2.5" face, 0-145 PSI, fits G1/4" ports 1.5" face, 0-145 PSI, for panel mounting	KZ 8813 KG 8012-00 KG 8011 KG 8002 KZ 8822
3/2-Way Manual Shut-Off Valve  lockable	1/4" 3/8" 3/8" 1/2" 3/4" 1"	MID1 MID1 MID2 MID2 LARGE LARGE	Airfit Swing Airfit Swing Airfit Comfort Airfit Comfort Airfit A25 Airfit A25	SDV-1/4-XS-US SDV-3/8-XS-US CDV-3/8-XS-US CDV-1/2-XS-US A25DV-3/4 A25DV-1	PB 46749-N101 PB 46849-N101 PB 56849-N000 PB 56949-N000 PB 63249-N000 PB 63349-N001

* All components are also offered with metric ports; however, longer lead times apply.

‡ All gauges have double scale psi/bar.

Ordering Information

Description	NPT Port Size*	Unit Size	Series	Type Number	Order Number
Electric/Air Pilot Shut-Off Valve	1/4"		Airfit Swing	SDR-1/4P-US (Pneumatic)	PB 47149-N200
	3/8"			SDR-3/8P-US (Pneumatic)	PB 47249-N200
	1/4"			SDR-1/4E-US (Electric, 24 VDC)	PB 47149-N201
	3/8"			SDR-3/8E-US (Electric, 24 VDC)	PB 47249-N201
	1/4"			SDR-1/4E-US (Electric, 220 V/50 Hz)	PB 47149-N204
	3/8"			SDR-3/8E-US (Electric, 220 V/50 Hz)	PB 47249-N204
	3/8"		Airfit Comfort	CDR-3/8P-US (Pneumatic)	PB 57249-N200
	1/2"			CDR-1/2P-US (Pneumatic)	PB 57349-N200
	3/8"			CDR-3/8E-US (Electric, 24 VDC)	PB 57249-N201
	1/2"			CDR-1/2E-US (Electric, 24 VDC)	PB 57349-N201
	3/8"			CDR-3/8E-US (Electric, 220 V/50 Hz)	PB 57249-N204
	1/2"			CDR-1/2E-US (Electric, 230 V/50 Hz)	PB 57349-N204
	3/4"		Airfit A25	A25DS-3/4-E (Electric, 24 VDC)	PB 63049-N001
	3/4"			A25DS-3/4-E-ASI (Electric, 24 VDC, ASI)	PB 63049-N006
	3/4"			A25DS-3/4-E (Electric, 220 VAC)	PB 63049-N004
	1"			A25DS-1-E (Electric, 24 VDC)	PB 63149-N001
	1"			A25DS-1-E-ASI (Electric, 24 VDC, ASI)	PB 63149-N006
	1"			A25DS-1-E (Electric, 220 VAC)	PB 63149-N004
Membrane Dryers	1/4"		Airfit Swing	SDM2-1/4-US	PB 44149-N010
	1/4"			SDM5-1/4-US	PB 44149-N000
	1/4"			SDM2-1/4-R-US (with return pipe)	PB 44149-N030
	1/4"			SDM2-1/4-R-US (with return pipe)	PB 44149-N020
	1/2"		Airfit Comfort	DCM10-1/2-US	PB 54349-N000
	1/2"			CDM15-1/2-US	PB 54349-N001
	1/2"			CDM20-1/2-US	PB 54349-N002
	1/2"			CDM25-1/2-US	PB 54349-N003
	1/2"			CDM35-1/2-S-US	PB 54349-N030
	1/2"			CDM50-1/2-S-US	PB 54349-N033

* All components are also offered with metric ports; however, longer lead times apply.

Ordering Information Spare Parts

Description	NPT Port Size*	Series	Type Number	Order Number
Replacement Filter Elements+		Airfit Light	Standard (30 micron)	PL 16078
		Airfit Light	5 micron	PL 16078-5
		Airfit Swing	Standard (30 micron)	PL 16796
		Airfit Swing	5 micron	PL 16796-5
		Airfit Comfort	Standard (30 micron)	PL 17468
		Airfit Comfort	5 micron	PL 17468-5
		Airfit A25	Standard (30 micron)	PL 19029
		Airfit A25	5 micron	PL 19029-5
Replacement Coalescing Filter Elements		Airfit Light	For filter MF-007-18, 1/4	PL 16675-00
		Airfit Swing	For filter MF-012-1/8, 1/4, 3/8	PL 17002-00
		Airfit Comfort	For filter MF-036-3/8, 1/2	PL 17644-00
			For filter MF-230-3/4 & MF-230-1	PL 19154
			For filter MF-360	KG 6000
			For filter MF-480	KG 6001
			For filter MF-720	KG 6002
			For filter MF-1080	KG 6003
			For filter MF-1440	KG 6004
	Replacement Bowl Assemblies		Airfit Light	Filter - standard (polycarbonate, manual drain)
		Airfit Light	Filter - polycarbonate, semi-automatic drain	PL 17821
		Airfit Light	Lubricator - standard (polycarbonate)	PL 16680
		Airfit Swing	Filter - standard (polycarbonate, manual drain)	PL 16790
		Airfit Swing	Filter - polycarbonate, semi-automatic drain	PL 16996
		Airfit Swing	Filter - metal bowl with sightglass, manual drain	PL 16971
		Airfit Swing	Filter - metal bowl, manual drain	PL 17548
		Airfit Swing	Lubricator - standard (polycarbonate)	PL 16946
		Airfit Swing	Lubricator - metal bowl	PL 17550
		Airfit Swing	Lubricator - metal bowl with sightglass	PL 16972
		Airfit Comfort	Filter - standard (polycarbonate, manual drain)	PL 17470
		Airfit Comfort	Filter - polycarbonate bowl, automatic drain	PL 17472
		Airfit Comfort	Filter - polycarbonate bowl, semi-automatic drain	PL 17471
		Airfit Comfort	Filter - metal bowl, manual drain	PL 17604
		Airfit Comfort	Filter - metal bowl, automatic drain	PL 17605
		Airfit Comfort	Filter - metal bowl with sightglass, manual drain	PL 17736
		Airfit Comfort	Filter - metal bowl with sightglass, automatic drain	PL 17735
		Airfit Comfort	Lubricator - standard (polycarbonate)	PL 17473
		Airfit Comfort	Lubricator - metal bowl	PL 17606
		Airfit Comfort	Lubricator - metal bowl with sightglass	PL 17709
		Airfit A25	Filter - standard (metal bowl with sightglass, manual drain)	PL 18876
		Airfit A25	Filter - metal bowl with sightglass, automatic drain	PL 19000
		Airfit A25	Filter - metal bowl with sightglass, semi-automatic drain	PL 19001
	Airfit A25	Lubricator - metal bowl with sightglass	PL 18885	
	Airfit A25	Lubricator - metal bowl with sightglass, automatic refilling	PL 17387	
Automatic Drain Assemblies		Airfit Swing	Auto drain assembly	PL 18497-00
		Airfit Comfort/ A25/A50	Auto drain assembly	PL 16165

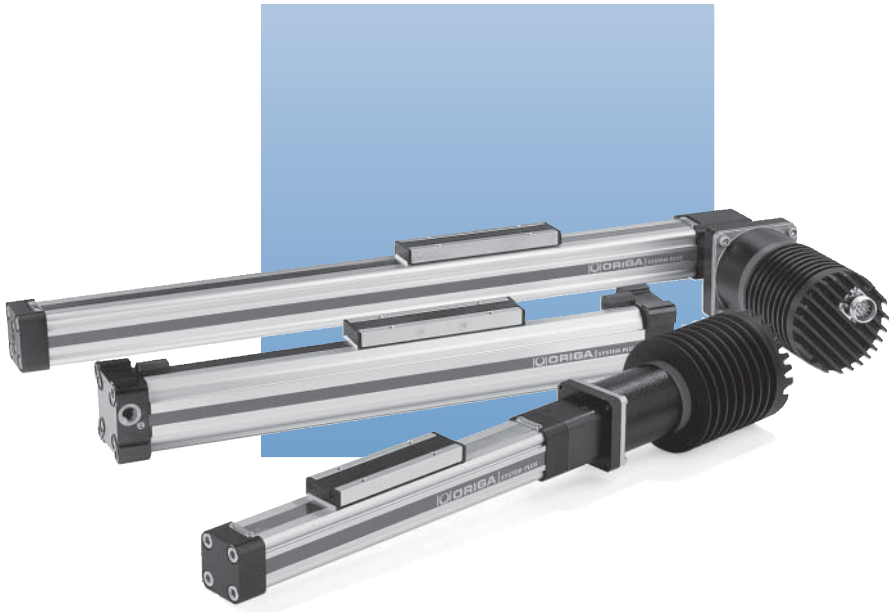
* All components are also offered with metric ports; however, longer lead times apply.

+ Not available for Airfit A50

Please visit www.parkeroriga.com for an expanded version of this catalog online.



Advice, service and sales
... worldwide and round
the clock



PARKER ORIGA CORPORATION • 100 West Lake Drive, Glendale Heights, IL 60139 • tel (630) 871-8300 • fax (630) 871-1515
Internet: <http://www.parkeroriga.com>
ZFRL-0206