

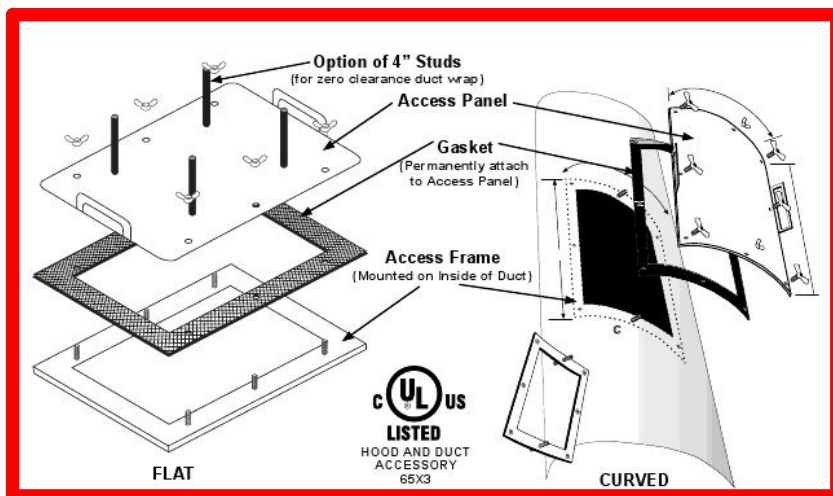
DuctSeal™ Commercial Duct Gaskets & Sealant

- Sealant and Gasket Tapes for Commercial Kitchen Exhaust Hood Duct and Ventilation Systems
- Complete Access Door Systems – Flat and Curved
- 100% Asbestos Free



- 1800°F / 2000°F / 2300°F DuctSeal™ Gasket Tapes
- Available in Plain Style and LadderTape™ Bolt Hole Style
- Tapes Available with Self Adhesive to aid in installation

- DuctSeal™ Paste; High Temperature Non-Flammable Sealant



- DuctSeal™ Flat and Curved Duct Access Doors: UL Listed

© Copyright 2006-2012 A-B Technology Group. No part of this catalog may be copied, reproduced or stored in an electronic retrieval system unless in its entirety, without modification or editing.



Keeping Our World Cooler™

Catalogs from AB Technology Group

- **Thermal Protection Solutions Catalog**
Catalog #18 / Sept 2012
Available at www.ExtremeHeatProtection.com
- **High Temperature Industrial Seals & Gaskets**
Jan 2012
Available at www.IndustrialSealAndGasket.com
- **Uncured Silicone Adhesives Sealants & Coatings**
Jan 2012
Available at www.SiliconeTechnologies.com

For Your Notes

Commercial Kitchen Duct Sealant & Gaskets

Generally, most city and municipal codes and regulations call for gaskets that are used within commercial kitchen ducts must withstand 1500°F exposure.

Most duct work is fabricated in 4 construction styles:

1. Butt fit duct with offset flange lip
2. Overlap fit
3. Butt fit with flush flange lips
4. Cone flange (fan unit attachment)

In the case of 1 and 2 above, since the duct work is pressurized during operation, airborne grease will work its way between the metal mating surfaces and will contact the gasket, eventually saturating it.

In the case of 3 and 4 above, a portion of the gasket is directly exposed to the airflow, allowing for rapid saturation.

The solution is to use a gasket that will not absorb grease, however, other than metallic gaskets which are difficult to use and form into the desired shapes, such a gasket does not exist.

Traditional high temperature fabric gaskets can be used successfully by utilizing a high temperature non-flammable sealant to form a barrier to grease flow at the point where the migration would otherwise occur.

DuctSeal™ high temperature paste sealant will withstand continuous exposure to 460°F, and provides a flexible barrier to grease migration into the flange gasket. In the event of a fire, the sealant will break down into silicon dioxide, a white –grey powdery refractory insulating material. Even with the sealant deteriorated, the high temperature gasket remains in place and provides the barrier to flame migration through the duct flange joint. DuctSeal™ paste must not be used as the primary seal/gasket on the duct flange surfaces – a separate high temperature gasket must be used in conjunction with DuctSeal™ paste.

As most duct flanges are fastened together with ¼” carbon steel or stainless steel bolts and associated hardware, and most flanges are 1”, 1 ¼” or 1 ½” wide, the easiest gasket to use is a LadderTape gasket, which has a loose ladder construction in the center of the tape to allow for easy passing of the fastening bolts through it.

Tapes are also available with a Pressure Sensitive Adhesive (acrylic) which allows for easy the installation of the tape.

DuctSeal™ gasket tapes are available in 1800°F, 2000°F and 2300°F versions. Most installers prefer the LadderTape™ version of the gasket for ease of installation, but some installers may prefer traditional plain tapes, one on each side of the bolt-hole line.

How To Order

Pricing: Prices shown are \$USD and may be subject to change without notice. Orders in other currencies may be accepted by quotation.

Accounts: Please complete our Account Application Form (available at the rear of this catalog or on web-site) and return the form along with your standard credit reference sheet. Account application processing can take 2 to 3 business days.

New Customers: New customers may order immediately by paying via credit card, PayPal, bank wire transfer or Interac bank transfer. We accept Visa & MasterCard payments by phone, fax and e-mail. American Express & Discover cards are processed through PayPal's Electronic Invoice system; where we send you an electronic invoice that you pay on-line.

Purchase Orders: Purchase orders from established customers may be submitted verbally, by fax or by e-mail. Your PO will be acknowledged with an expected shipping date.

Verbal Orders: Call 610-906-3549. Customers accept responsibility for errors on verbal orders not confirmed by an e-mail or fax confirmation.

Minimum Order Value and Minimum Order Quantity: Minimum order value is \$25.00. Some products may have a *Minimum Order Quantity* (MOQ) such as a full spool, full coil, full carton, etc. If an order for a particular item is less than the minimum order value, then a surcharge may be applied to bring the order up to the \$25.00 minimum order value.

Most Orders Shipped Same Day: The vast majority of products are always in stock and can ship same day providing you order on-line, by fax or call by 11 AM EST. Fabricated items require more time – please call for a fabrication quote. Tadpole Tapes, Sleeve with Velcro and Welding Curtains can typically be produced in 2 to 4 days, however it can run 5 to 10 business days for large orders or if we are particularly busy. Other fabrications with complex shapes can take up to 15 business days. Please call for an estimate.

Shipping: Unless otherwise specified, orders will be shipped UPS ground, prepaid and billed or collect on your account. Other carriers such as FedEx and USPS are available. For Dealers or Distributors, Blind or Drop shipping to your customer is available – please specify on your PO if you will be providing a Packing List and send it to us ASAP. We can also use your carrier and account if you prefer.

Customer Service Excellence: We are focused on customer service; your assurance of the correct product, quality checked & delivered on-time. All products are RoHS compliant.

A-B Thermal Technologies

USA: 431 State St., Box 1491, Ogdensburg, NY 13669

CANADA: 114 Shore Dr., Bath, ON K0H 1G0

DuctSeal™ Products

DuctSeal™ Gasket Tapes

1800°F / 982°C DuctSeal™ InSilMax™ Silica Tape

DuctSeal™ InSilMax™ Slit Tape	1-1
DuctSeal™ InSilMax™ Folded & Stitched Tape	1-2
DuctSeal™ InSilMax™ Woven Tape	1-3

2000°F / 1093°C DuctSeal™ InSilMax™ XT Silica Tape

DuctSeal™ InSilMax™ XT Woven Tape	1-4
---	-----

2300°F / 1260°C DuctSeal™ CerMax™ Ceramic Fiber Tape

DuctSeal™ CerMax™ Woven Tape	1-5
------------------------------------	-----

DuctSeal™ High Temperature Sealant

500°F DuctSeal™ High Temperature Sealant	1-6
--	-----

DuctSeal™ Applications

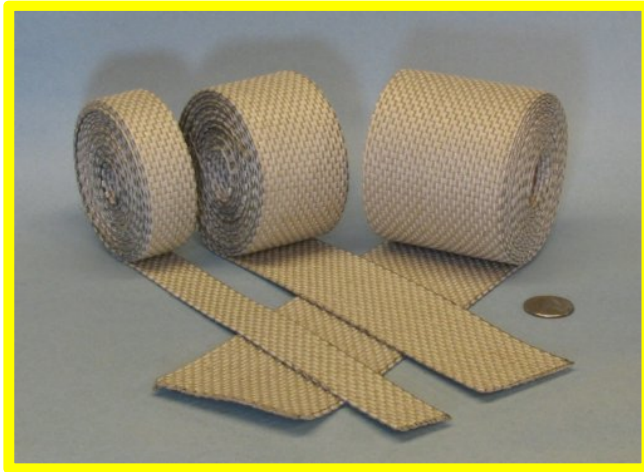
DuctSeal™ Applications	1-7
------------------------------	-----

DuctSeal™ Access Doors

DuctSeal™ Access Doors	1-9
DuctSeal™ Flat Doors Dimensions	1-10
DuctSeal™ Curved Doors Dimensions	1-11
DuctSeal™ Custom Door Quote Form: Flat Doors	1-12
DuctSeal™ Custom Door Quote Form: Curved Doors	1-13

Intentionally Blank

1800°F / 982°C: DuctSeal™ InSilMax™ Slit Tape
Extreme High Temperature, Heat, Flame Resistant



An alternative to asbestos and ceramic based textiles. Highly flexible and minimal shrinkage. High abrasion resistance and tensile strength. Melts above 3000°F / 1648°C. Available with a PSA (pressure sensitive adhesive) to facilitate easy installation (*see note).

Can be used at 1800°F / 982°C continuously with excursions to 3000°F / 1650°C.

Weave is tight, but edge fray is possible with slit tapes. For non fray edges use a woven tape.

1, 2 and 3 inch tapes shown

DuctSeal™ InSilMax™ Extreme Temperature, Heat, Flame Resistant Slit Tapes					
0.090" / 2.3mm Thick Tape					
Part Number	Width inch / mm / dash #			Price per foot / Metre 25 & 50 foot Standard Roll	
ISST-M025-16	1"	25	-16	\$ 1.32	\$ 4.33
ISST-M032-20	1 1/4"	32	-20	\$ 1.52	\$ 4.98
ISST-M038-24	1 1/2"	38	-24	\$ 1.68	\$ 5.51
ISST-M051-32	2"	51	-32	\$ 2.04	\$ 6.69
ISST-M064-40	2 1/2"	64	-40	\$ 3.08	\$ 10.10
ISST-M076-48	3"	76	-48	\$ 3.72	\$ 12.20
ISST-M102-64	4"	102	-64	\$ 4.98	\$ 16.33
ISST-M127-80	5"	127	-80	\$ 5.80	\$ 19.02
ISST-M152-96	6"	152	-96	\$ 6.63	\$ 21.75

Available in standard 25 foot / 7.6 metre or 50 foot / 15.2 metre rolls

For other lengths add +25% to price shown

* Note: The PSA will deteriorate at temperatures above 400°F and should be used to facilitate installation only. Material with PSA should not be used in confined areas at elevated temperatures without ventilation until all of the PSA has vaporized.

This Product is Available By-The-Foot / Metre

1800°F / 982°C: DuctSeal™ InSilMax™ Folded & Stitched Tape
Extreme High Temperature, Heat, Flame Resistant



An alternative to asbestos and ceramic based textiles. Highly flexible and minimal shrinkage. High abrasion resistance and tensile strength. Melts above 3000°F / 1648°C. Available with a PSA (pressure sensitive adhesive) to facilitate easy installation (*see note).

Can be used at 1800°F / 982°C continuously with excursions to 3000°F / 1650°C.

Folded & Stitched tape is a thicker alternative to Slit Tape. Top roll in photo is one layer slit tape; 2nd roll from top is 2 layer folded and stitched; 3rd roll from top is three layer folded and stitched and bottom roll is 4 layer folded and stitched. All tapes are same length.

DuctSeal™ InSilMax™ Extreme Temperature, Heat, Flame Resistant Folded & Stitched Tapes						
Folded & Stitched Tape – 25 or 50 foot roll						
Available in 3 thicknesses: 1/8" / 3.2mm thick • 3/16" / 4.8mm thick • 1/4" / 6.4mm thick						
Width inch / mm / dash #			Part Number	1/8" / 3.2mm Price / Foot x value = 2	3/16" / 4.8mm Price / Foot x value = 3	1/4" / 6.4mm Price / Foot x value = 4
1"	25	-16	ISFST-M025-16-X	\$3.44 / \$11.28	\$4.68 / \$15.35	\$5.98 / \$19.61
1 1/4"	32	-20	ISFST-M032-20-X	\$4.12 / \$13.51	\$5.68 / \$18.63	\$7.24 / \$23.74
1 1/2"	38	-24	ISFST-M038-24-X	\$4.76 / \$15.61	\$6.56 / \$21.52	\$8.52 / \$27.95
2"	51	-32	ISFST-M051-32-X	\$6.36 / \$20.86	\$8.96 / \$29.39	\$15.64 / \$51.30
2 1/2"	64	-40	ISFST-M064-40-X	\$7.32 / \$24.01	\$9.04 / \$29.65	\$14.72 / \$48.28
3"	76	-48	ISFST-M076-48-X	\$8.56 / \$28.08	\$12.36 / \$40.54	\$16.12 / \$52.87
4"	102	-64	ISFST-M102-64-X	\$11.04 / \$36.21	\$16.12 / \$52.87	\$23.60 / \$77.41
5"	127	-80	ISFST-M127-80-X	\$13.64 / \$44.74	\$19.97 / \$65.50	\$26.32 / \$86.33
6"	152	-96	ISFST-M152-96-X	\$16.12 / \$52.87	\$23.76 / \$77.93	\$31.32 / \$102.73
8"	203	-102	ISFST-M203-102-X	\$21.88 / \$71.77	\$33.20 / \$108.90	\$ 43.80 / \$143.66

For other than standard lengths, add 20% to the price shown

**For the "X" value in the part number: specify "2" for 1/8" thick tape
 "3" for 3/16" thick tape
 "4" for 1/4" thick tape**

Add "-P" to the part number to order tape with PSA on one side.

* Note: The PSA will deteriorate at temperatures above 400°F and should be used to facilitate installation only. Material with PSA should not be used in confined areas at elevated temperatures without ventilation until all of the PSA has vaporized.

1800°F / 982°C: DuctSeal™ InSilMax™ Woven Tape
Extreme High Temperature, Heat, Flame, Resistant



Available in Plain and LadderTape™ (Drop Warp also known as Bolt-Hole Tape).

An alternative to asbestos and ceramic based textiles. Highly flexible and minimal shrinkage. High abrasion resistance and tensile strength. Melts above 3000°F / 1648°C. Available with a PSA (pressure sensitive adhesive) to facilitate easy installation (*see note).

Woven tape has the benefit over slit tape of edges that will not fray unless cut.

For a tape with less shrinkage and deterioration at maximum temperature, use InSilMax XT tape, part number IXTSWT shown on the next page in the catalog.

Other common applications for this tape are as a gasket and seal material on high temperature access doors, inspection and clean-out doors and panels for kilns, ovens, furnaces, ventilation systems, etc.

DuctSeal™ InSilMax™ Extreme Temperature, Heat, Flame Resistant Woven Tapes						
DuctSeal™ Plain & Drop Warp Woven Tape – 100 foot roll						
Available in 3 thicknesses: 1/16" / 2mm thick • 1/8" / 3.2mm thick • 1/4" / 6.4mm thick						
Width inch / mm / dash #			Part Number	1/16" / 2mm Price per foot no PSA / with PSA	1/8" / 3.2mm Price per foot no PSA / with PSA	1/4" / 6.4mm Price per foot no PSA / with PSA
1"	25	-16	ISWT-M025-16-X-Z	\$ 1.36 / \$ 1.65	\$ 3.09 / \$ 3.50	\$ 3.88 / \$ 4.28
1 1/2"	38	-24	ISWT-M038-24-X-Z	\$ 1.90 / \$ 2.33	\$ 4.34 / \$ 4.94	\$ 5.66 / \$ 6.26
2"	51	-32	ISWT-M051-32-X-Z	\$ 2.47 / \$ 3.01	\$ 5.74 / \$ 6.49	\$ 7.45 / \$ 8.20
3"	76	-48	ISWT-M076-48-X-Z	\$ 3.63 / \$ 4.60	\$ 8.53 / \$ 9.83	\$ 11.25 / \$ 12.55
4"	102	-64	ISWT-M102-64-X-Z	\$ 4.65 / \$ 5.86	\$ 11.48 / \$ 13.13	\$ 15.02 / \$ 16.68

Same Price Plain or LadderTape™ (Drop Warp or Bolt-Hole Tape)

Some tapes available in 50 foot lengths – please enquire. Add 25% to above pricing when ordering in 50 foot lengths. Some tapes available in by-the-foot cut lengths – please enquire. Add 50% to above pricing when ordering by-the-foot cut lengths.

- For the "X" value, specify: "A1" for 1/16" thick tape
 "B2" for 1/8" thick tape
 "C4" for 1/4" thick tape
- For "Z" value in part number: use "-P" for Plain style tape
 or "-DW" for Drop Warp style tape.

Add "-PSA" to the part number to order tape with PSA on one side.

* Note: The PSA will deteriorate at temperatures above 400°F and should be used to facilitate installation only. Material with PSA should not be used in confined areas at elevated temperatures without ventilation until all of the PSA has vaporized.

2000°F / 1093°C: DuctSeal™ InSilMax™ XT Woven Tape

Extreme High Temperature, Heat, Flame Resistant



Available in Plain and Drop Warp (also known as Ladder Tape™ or Bolt-Hole Tape).

An alternative to asbestos and ceramic based textiles. Highly flexible and virtually no shrinkage. High abrasion resistance and tensile strength. Melts above 3000°F / 1648°C. Available with a PSA (pressure sensitive adhesive) to facilitate easy installation (*see note).

Woven tape has the benefit of edges that will not fray unless cut.

Produced from an extremely pure silica base yarn instead of leached yarn; providing extended temperature range and durability.

Other common applications for this tape are as a gasket and seal material on high temperature access doors, inspection and clean-out doors and panels for kilns, ovens, furnaces, ventilation systems, etc.

DuctSeal™ InSilMax™ XT Extreme Temperature, Heat, Flame Resistant Woven Tapes						
Plain & Drop Warp Woven Tape – 100 foot roll						
Available in 3 thicknesses: 1/16" / 2mm thick • 1/8" / 3.2mm thick • 1/4" / 6.4mm thick						
Width inch / mm / dash #			Part Number	1/16" / 2mm Price per foot no PSA / with PSA	1/8" / 3.2mm Price per foot no PSA / with PSA	1/4" / 6.4mm Price per foot no PSA / with PSA
1"	25	-16	IXTSWT-M025-16-X-Z	\$ 1.56 / \$ 1.65	\$ 3.55 / \$ 4.03	\$ 4.46 / \$ 4.92
1 1/2"	38	-24	IXTSWT-M038-24-X-Z	\$ 2.18 / \$ 2.68	\$ 4.99 / \$ 5.68	\$ 6.51 / \$ 7.20
2"	51	-32	IXTSWT-M051-32-X-Z	\$ 2.84 / \$ 3.46	\$ 6.60 / \$ 7.46	\$ 8.57 / \$ 9.43
3"	76	-48	IXTSWT-M076-48-X-Z	\$ 4.17 / \$ 5.29	\$ 9.81 / \$ 11.30	\$ 12.94 / \$ 14.43
4"	102	-64	IXTSWT-M102-64-X-Z	\$ 5.35 / \$ 6.74	\$ 13.20 / \$ 15.10	\$ 17.23 / \$ 19.18

Same Price Plain or Drop Warp (known as LadderTape™ or Bolt-Hole Tape)

Some tapes available in 50 foot lengths – please enquire. Add 25% to above pricing when ordering in 50 foot lengths. Some tapes available in by-the-foot cut lengths – please enquire. Add 50% to above pricing when ordering by-the-foot cut lengths.

- For the "X" value, specify: "A1" for 1/16" thick tape
"B2" for 1/8" thick tape
"C4" for 1/4" thick tape
- For "Z" value in part number: use "-P" for Plain style tape
or "-DW" for Drop Warp style tape.

Add "-PSA" to the part number to order tape with PSA on one side.

* Note: The PSA will burn off at temperatures above 400°F and should be used to facilitate installation. Material with PSA should not be used in confined areas at elevated temperatures without ventilation until all of the PSA has vaporized.

2300°F / 1260°C: DuctSeal™ CerMax™ Woven Tape

Extreme High Temperature, Heat, Flame Resistant



Available in Plain and Ladder Tape™ (Drop Warp or Bolt-Hole Tape).

Highly flexible and virtually no shrinkage. Melts above 3000°F / 1648°C.

Woven tape has the benefit of edges that will not fray unless cut.

Available with Fiberglass reinforcement or wire.

Other common applications for this tape are as a gasket and seal material on high temperature access doors, inspection and clean-out doors and panels for kilns, ovens, furnaces, ventilation systems, etc.

DuctSeal™ CerMax™ Extreme Temperature +Plus, Heat, Flame Resistant Woven Tapes					
Plain & Drop Warp Woven Tape – 100 foot roll					
Available in 1/16" / 2mm thick & 1/8" / 3.2mm thick					
Width inch / mm / dash #			Part Number	1/16" / 2mm Price per roll Fiberglass / Wire	1/8" / 3.2mm Price per roll Fiberglass / Wire
1/2	13	-08	CCFWT-M013-08-X-Y	\$ 28.75 / NA	\$ 35.65 / NA
1"	25	-16	CCFWT-M025-16-X-Y	\$ 43.70 / \$ 51.75	\$59.80 / \$ 66.70
1 1/2"	38	-24	CCFWT-M038-24-X-Y	NA / NA	\$ 88.55 / NA
2"	51	-32	CCFWT-M051-32-X-Y	\$ 78.20 / \$ 93.15	\$ 106.95 ** / \$ 124.20
3"	76	-48	CCFWT-M076-48-X-Y	\$ 112.70 / \$ 117.30	\$ 154.10 ** / \$ 170.20
4"	102	-64	CCFWT-M102-64-X-Y	\$ 141.45 / \$ 149.50	\$ 193.20 / \$ 218.50
6"	152	-96	CCFWT-M102-64-X-Y	NA / NA	NA / \$331.20

** Note: 1/8 thick 2" wide and 3" wide, fiberglass reinforced, is available in Plain or Drop Warp (also known as LadderTape™ or Bolt-Hole Tape). Same Price

Some tapes available in 50 foot lengths – please enquire. Add 25% to above pricing when ordering in 50 foot lengths. Some tapes available in by-the-foot cut lengths – please enquire. Add 50% to above pricing when ordering by-the-foot cut lengths.

- For the "X" value, specify: "A1" for 1/16" thick tape or "B2" for 1/8" thick tape
- For the "Y" value, specify: "F" for Fiberglass reinforced or "W" for wire reinforced
- Add "-DW" to specify LadderTape™ / Drop Warp style tape (See ** Note above for sizes).

DuctSeal™ Paste High Temperature Sealant:



DuctSeal™ Paste Duct Flange Sealant Paste

This sealant is used to form a bead ahead of the gasket tape in the flange area in order to keep grease from contaminating the tape.

Can be used to 500°F continuous without degradation.

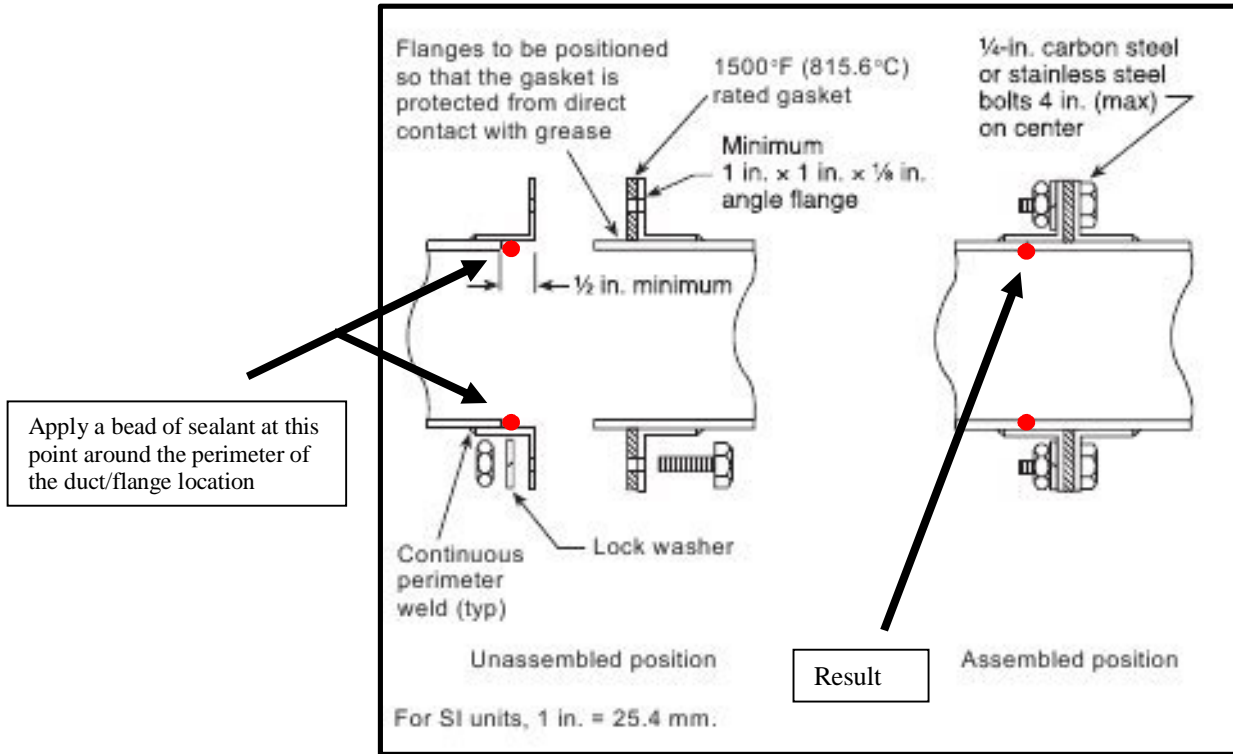
In the event of a fire, the elevated temperatures will decompose the sealant, turning it into a white insulating powder through a process called caramelization.

During the fire, the gasket tape itself will maintain the seal in the flange. The sealant is available in Oxide-Red and Black.

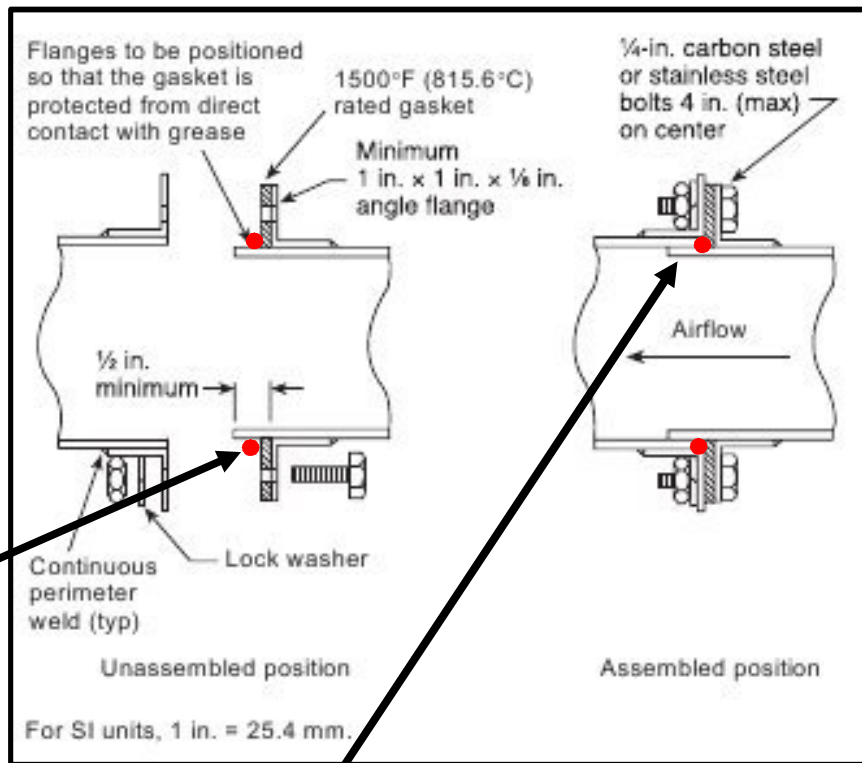
Available in two sizes:

- 3 oz squeeze tube.
P/N DSP-03-OR \$16.61
- 10.3 oz caulking gun cartridge.
P/N DSP-10-OR \$37.47

DuctSeal™ Applications:

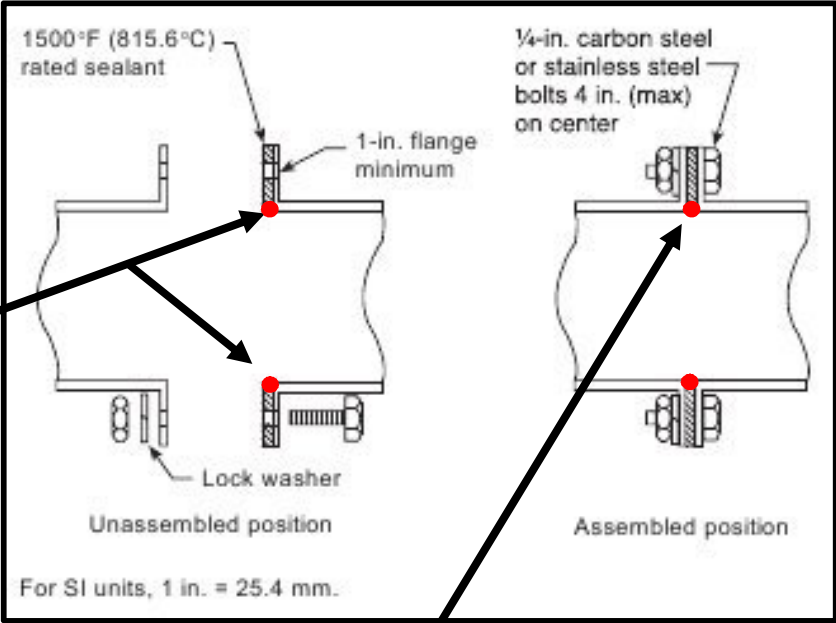


Apply a bead of sealant at this point around the perimeter of the duct/flange location



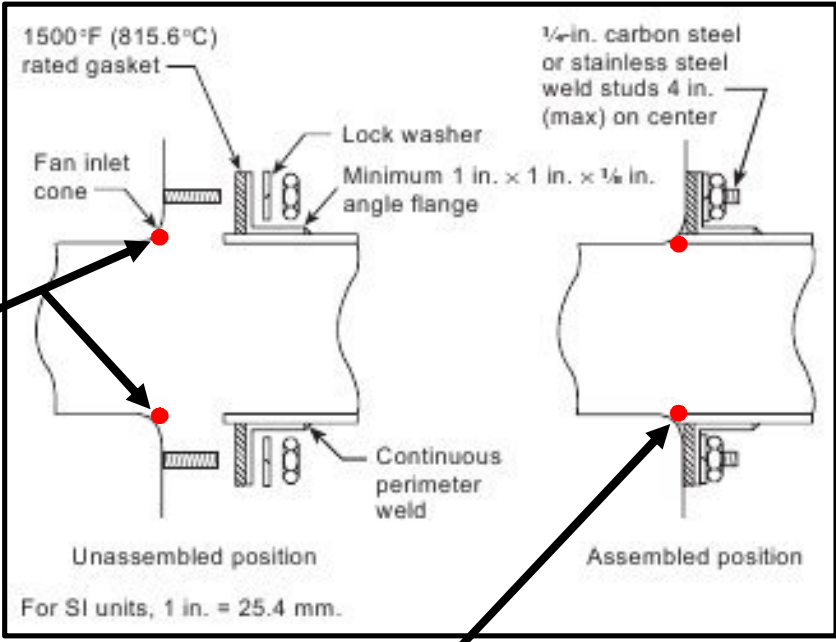
Apply a bead of sealant at this point around the perimeter of the duct/gasket location

Apply a bead of sealant at this point around the perimeter of the flange, at the base of the gasket.



Result

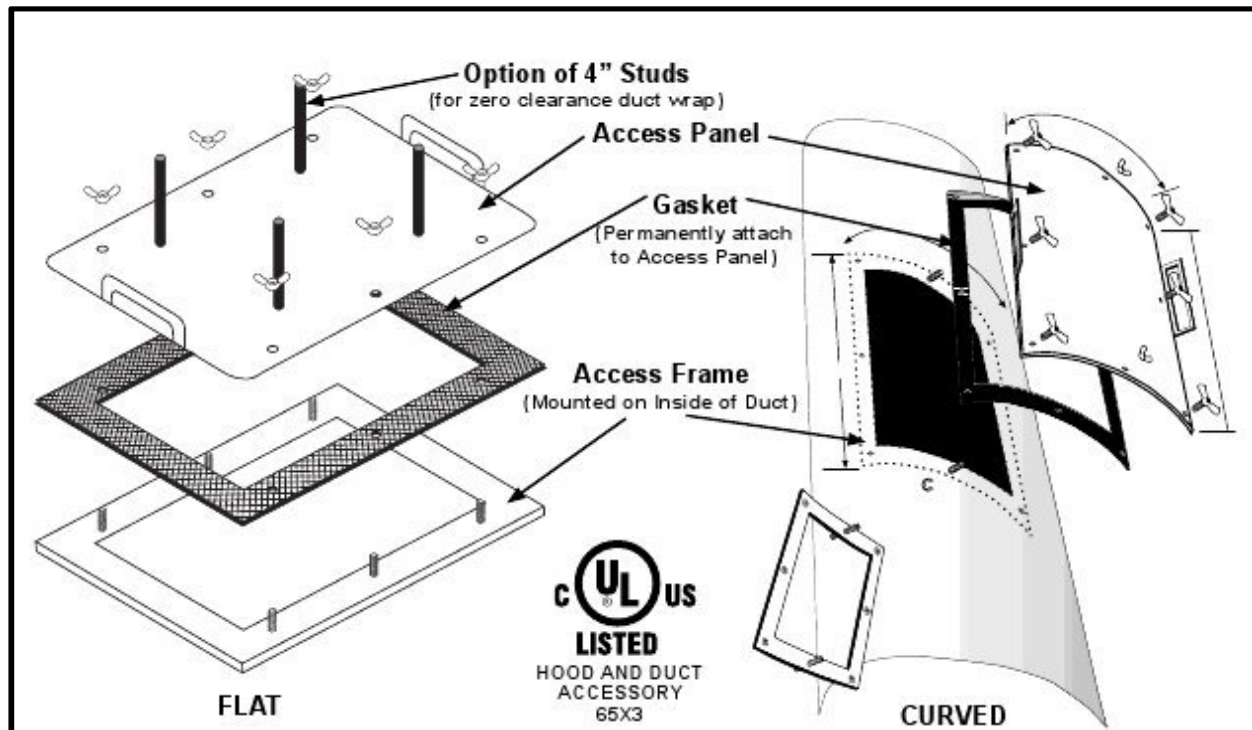
Apply a bead of sealant at this point around the perimeter of the cone.



Result

DuctSeal™ Access Doors

- Heavy Duty 16 gauge steel construction
- Stainless Steel models available
- Available with extended studs to accommodate fire wrap
- Back frame reinforces duct cut-out
- Easy to clean and install
- Standard and custom sizes available
- Gasket rated to 2300°F and is bonded to front panel



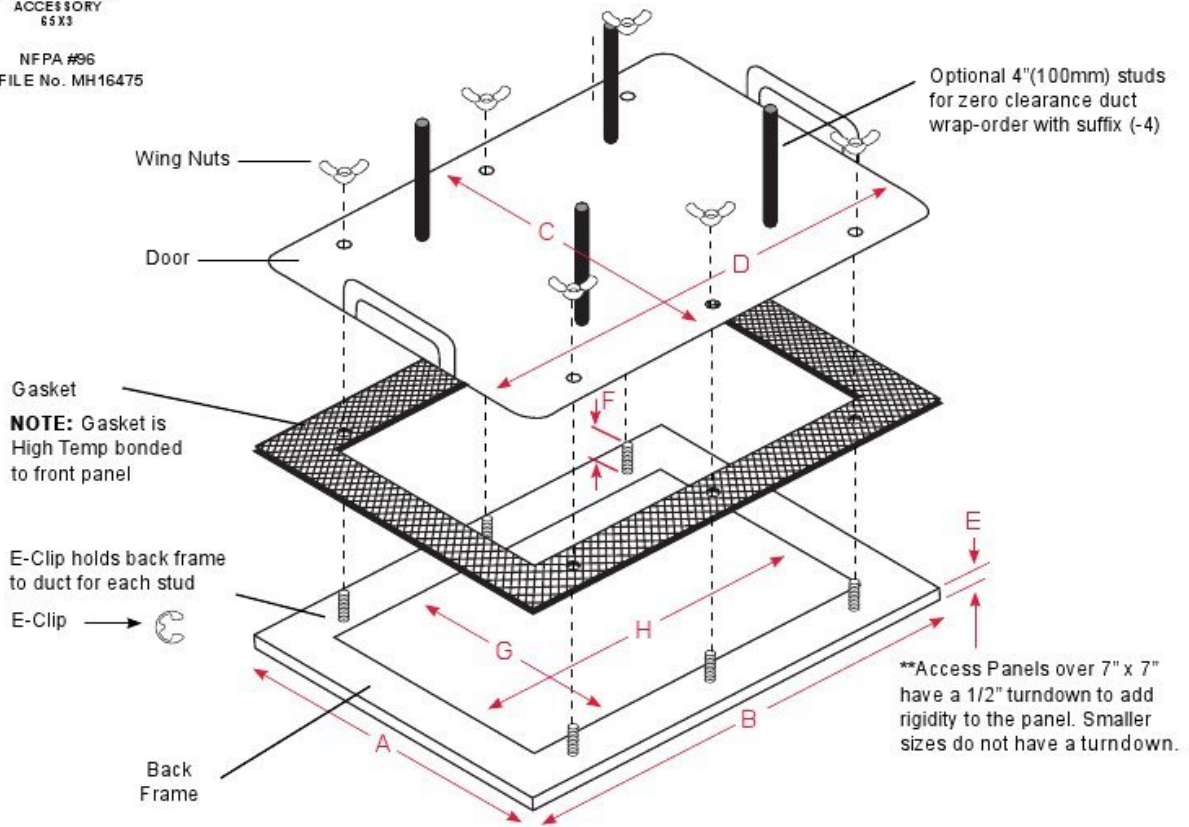
Pricing:

Flat Access Doors		Curved Access Doors	
DS-75071	\$ 140.00	DS-750505-C	\$ 216.00
DS-750715	\$ 160.00	DS-750511-C	\$ 216.00
DS-750723	\$ 204.00	DS-750517-C	\$ 288.00
DS-750606	\$ 144.00	DS-750808-C	\$ 220.00
DS-750707	\$ 140.00	DS-750811-C	\$ 272.00
DS-750712	\$ 160.00	DS-750817-C	\$ 276.00
DS-750720	\$ 208.00	DS-750823-C	\$ 284.00
DS-751212	\$ 188.00	DS-751117-C	\$ 298.00
DS-751220	\$ 252.00	DS-751123-C	\$ 312.00
DS-751620	\$ 268.00	DS-751717-C	\$ 298.00
DS-752020	\$ 272.00	DS-751723-C	\$ 364.00

Flat Doors

UL
LISTED
 HOOD AND DUCT
 ACCESSORY
 65 X3

NFPA #96
 UL FILE No. MH16475

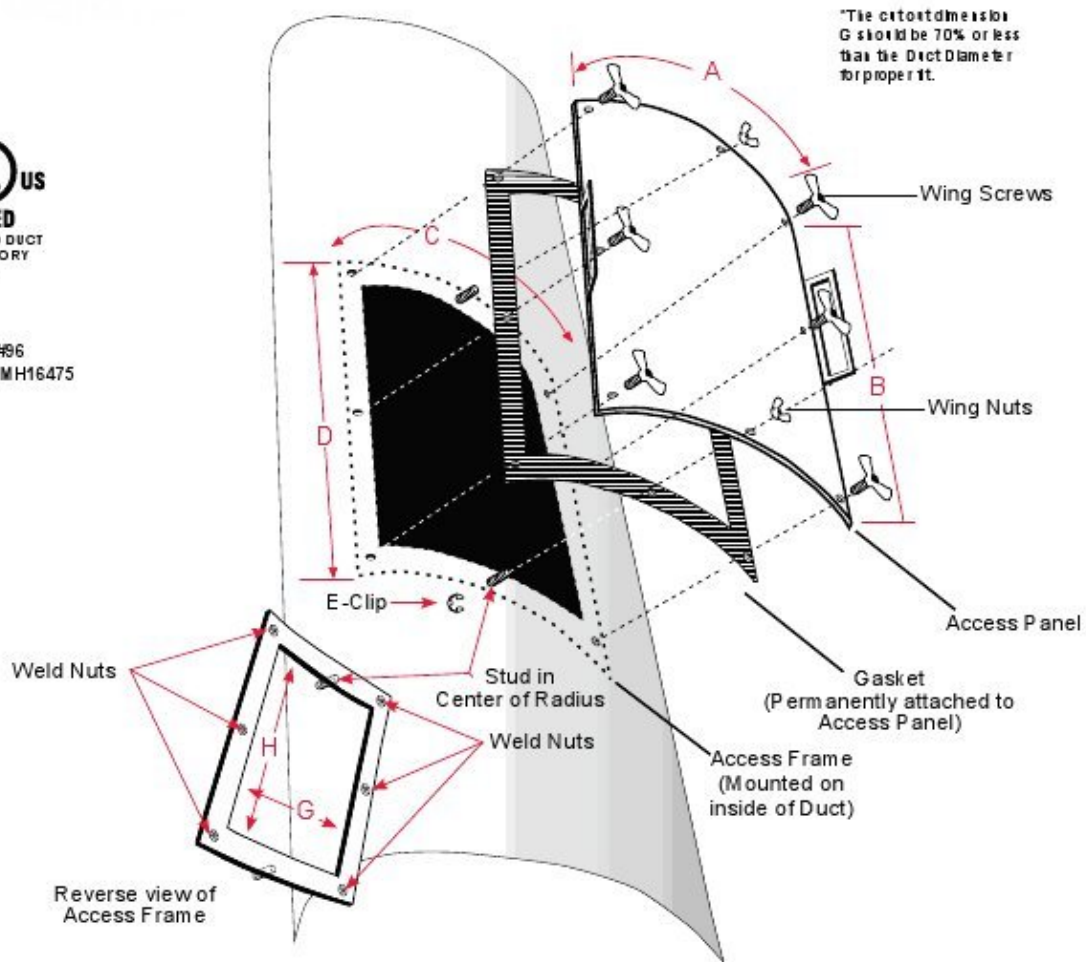


Please Order by Part No.	BACK FRAME OUTSIDE DIMENSION		FRONT PANEL OUTSIDE DIMENSION		PANEL WIDTH	STUD HEIGHT	HOLE SIZE • BACK FRAME INSIDE DIMENSION		MOUNTING STUDS
	A*	B*	C	D			G	H	
PART NO.	A*	B*	C	D	E	F	G	H	
750710	7"	10"	7"	10"	Flat	1"	5.5"	8.5"	6
750715	7"	15"	7"	15"	Flat	1"	5.5"	13.5"	6
750723	7"	23"	7"	23"	Flat	1"	5.5"	21.5"	10
750606	8"	8"	8"	8"	Flat	1"	6"	6"	4
750707	10"	10"	10"	10"	.5"	1"	7"	7"	4
750712	10"	15"	10"	15"	.5"	1"	7"	12"	6
750720	10"	23"	10"	23"	.5"	1"	7"	20"	10
751212	15"	15"	15"	15"	.5"	1"	12"	12"	8
751220	15"	23"	15"	23"	.5"	1"	12"	20"	14
751620	19"	23"	19"	23"	.5"	1"	16"	20"	16
752020	23"	23"	23"	23"	.5"	1"	20"	20"	16

Curved Doors

UL
LISTED
 HOOD AND DUCT
 ACCESSORY
 86X3

NFPA #96
 UL FILE No. MH16475

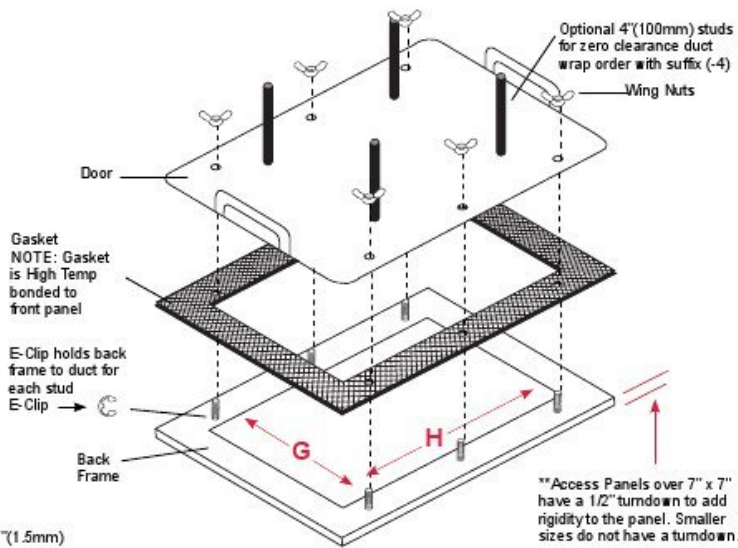


Please Order by Part No.	OUTSIDE DIMENSIONS				HOLE SIZE INSIDE DIMENSIONS	
PART NO.	A	B	C	D	G ^a	H
750505-C	6.56"	6.75"	6.56"	6.75"	5.06"	5.25"
750511-C	6.50"	12.75"	6.50"	12.75"	5.00"	11.25"
750517-C	6.50"	18.75"	6.50"	18.75"	5.00"	17.25"
750808-C	9.50"	9.75"	9.50"	9.75"	8.00"	8.25"
750811-C	9.50"	12.75"	9.50"	12.75"	8.00"	11.25"
750817-C	9.50"	18.75"	9.50"	18.75"	8.00"	17.25"
750823-C	9.50"	24.75"	9.50"	24.75"	8.00"	23.25"
751117-C	12.50"	18.75"	12.50"	18.75"	11.00"	17.25"
751123-C	12.50"	24.75"	12.50"	24.75"	11.00"	23.25"
751717-C	18.50"	18.75"	18.50"	18.75"	17.00"	17.25"
751723-C	18.50"	24.75"	18.50"	24.75"	17.00"	23.25"

Custom Door Quote: Flat Doors



NFPA #96
UL FILE No. MH16475



MATERIAL:
BACK PLATE:
 Cold Rolled Steel, Thickness – 0.057”(1.5mm)
FRONT PLATE:
 Galvanized Steel, Thickness – 0.060”(1.5mm)

QUANTITY REQUIRED	
--------------------------	--

DIMENSIONS	SIZE	INCHES or MM
DIMENSION "G"		
DIMENSION "H"		

PANEL MATERIAL	Check One
GALVANIZED STEEL	<input type="checkbox"/>
STAINLESS STEEL 304	<input type="checkbox"/>
STAINLESS STEEL 316L	<input type="checkbox"/>

PANEL THICKNESS	Check One
.050" (1.3mm) S/S Models only	<input type="checkbox"/>
.060"(1.5mm)	<input type="checkbox"/>
.125"(3.2mm)	<input type="checkbox"/>

MOUNTING HARDWARE MATERIAL	Check One
ZINC PLATED STEEL	<input type="checkbox"/>
STAINLESS STEEL 304	<input type="checkbox"/>
STAINLESS STEEL 316L	<input type="checkbox"/>

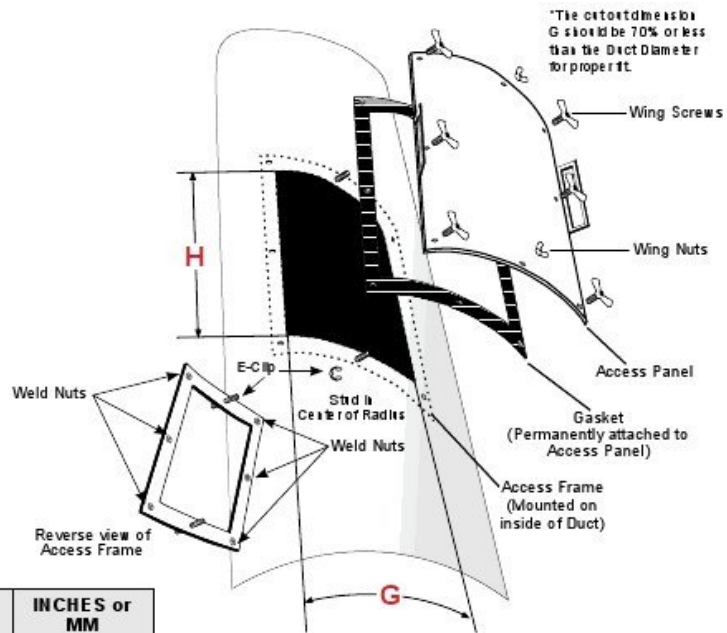
Additional Notes

Date:	P.O. #	Account No:
Company Name:	Contact Name:	
Address:	City & State:	Zip:
Phone No:	E-mail:	

Custom Door Quote: Curved Doors



NFPA #96
UL FILE No. MH16475



DIMENSIONS	SIZE	INCHES or MM
DUCT DIAMETER "A"		
CUT OUT DIMENSION "G" "G" = 70% x "A" or LESS		
IF LESS THAN 70% GIVE SIZE		
CUT OUT DIMENSION "H"		
NFPA 96 prohibits duct cut out greater than 70% of the duct diameter		

QUANTITY REQUIRED	
-------------------	--

PANEL MATERIAL	Check One
GALVANIZED STEEL	<input type="checkbox"/>
STAINLESS STEEL 304	<input type="checkbox"/>
STAINLESS STEEL 316L	<input type="checkbox"/>

PANEL THICKNESS	Check One
.050" (1.3mm) S/S Models only	<input type="checkbox"/>
.060" (1.5mm)	<input type="checkbox"/>
.125" (3.2mm)	<input type="checkbox"/>

MOUNTING HARDWARE MATERIAL	Check One
ZINC PLATED STEEL	<input type="checkbox"/>
STAINLESS STEEL 304	<input type="checkbox"/>
STAINLESS STEEL 316L	<input type="checkbox"/>

Additional Notes

Date:	P.O. #	Account No:
Company Name:	Contact Name:	
Address:	City & State:	Zip:
Phone No:	E-mail:	

Intentionally Blank

Standard Terms and Conditions

- Terms and Conditions Applicable:** The terms and conditions set forth herein shall apply to the order referred to in herein. Our acceptance of this order is expressly made conditional upon assent to the terms and conditions set forth herein, which comprise all of the terms and conditions between A-B Thermal Technologies and the purchaser respecting this order, except to the extent that any term or condition shall have been changed or modified as set forth in this agreement. Any other changes or modifications in the terms and conditions contained herein must be specifically agreed to in writing by A-B Thermal Technologies.
- Order Minimum:** There will be a minimum order amount required for each order received: consult the "How To Order" section for the minimum order value for each product. There will be an additional \$15.00 fee for adding items to an existing order under \$100.00. Order minimum does NOT include any tooling, overtime or freight charges. This \$15.00 fee can apply to any change made to an existing order, ex. method of shipment, shipping destination, etc.
- Cancellation:** Any order may not be cancelled for any reason without the consent of A-B Thermal Technologies. No orders can be cancelled after production has begun.
- Delivery:** Any shipping dates set forth in the purchase order or any acknowledgment of the order are the best estimate of actual delivery, but may be changed by mutual agreement. A-B Thermal Technologies shall not be liable for any delays in delivery or default by reason of any occurrences or contingencies, including, but not limited to fire, flood, embargo, strike, failure to secure materials from suppliers, government restrictions considered "force majeure" or any other circumstance beyond A-B Thermal Technologies's control which shall prevent A-B Thermal Technologies from making the deliveries in the normal and usual course of business.
- Risk of Loss:** Notwithstanding title to or ownership of the products, risk of loss shall pass to the purchaser as soon as the products are invoiced.
- Taxes and Fees:** Any taxes or fees imposed by any federal, provincial, state, municipal or other governmental authority, including any import or export duty that may be applicable to the sale or delivery or transportation of the product or services that may be sold by reason of this order and any and all duties, tariffs and brokerage charges, shall be added to the price of the order and paid by the purchaser except where the purchaser shall have provided a proper certification of exemption therefrom.
- Method of Shipment:** Unless otherwise specified in any purchase order, acknowledgement or other specific document relating to this order, all shipments made pursuant to the order shall be made F.O.B. Bowmanville ON, Watertown NY or nearest stocking point. In no event shall the method of shipment modify the risk of loss as specified herein. All freight collect unless otherwise specified. AB Thermal Technologies will endeavour to follow all shipping instructions, however, all freight charges invoiced are due even if AB Thermal Technologies ships by method(s) not specified.
- Terms of Payment:** Unless otherwise specified in the purchase order or acknowledgement, all products shall be sold with full payment due within thirty (30) days, if paid within ten (10) days of date of invoice, buyer may deduct one percent (1%) of the cost of goods only. Discounts are not applicable to tooling, expediting, or transportation charges. Any account for which payment has not been received within sixty (60) days from date of invoice will automatically be put on credit hold. Credit hold will also halt production of any other purchase orders that are in progress. A-B Thermal Technologies welcomes payments by credit cards and electronic fund transfers. Any credit card investigation fees where the product was found to be delivered are the responsibility of the customer.
- Security Interest:** Until full payment of the purchase price for any product and/or any service order pursuant to the order, A-B Thermal Technologies shall retain a security interest in such products and may, at its option, and without further agreement or signature by the purchaser, file evidence of such security interest.
- Warranties:** A-B Thermal Technologies warrants to the original purchaser that its products, under normal use, shall be free from defects in material or workmanship provided that (a) the product has not been tampered with or repaired by any person other than A-B Thermal Technologies, and (b) the product has been sold or used within the time period specified for the shelf life of the product, and (c) the purchaser notified A-B Thermal Technologies in writing of any such defects immediately after discovery thereof. A-B Thermal Technologies shall not be liable for any damages for any product resulting from the misuse or negligence of others or if any alterations have been made in the product which have not been authorized in writing by A-B Thermal Technologies. THIS WARRANTY IS GIVEN IN LIEU OF ANY OTHER REPRESENTATION OR WARRANTIES, EXPRESS OR IMPLIED, INCLUDING, BUT NOT LIMITED TO, THE IMPLIED WARRANTY OF MERCHANTABILITY OR FITNESS FOR ANY PARTICULAR PURPOSE.
- Limitation of Liabilities:** The sole and exclusive remedies of the purchaser shall be, at the option of A-B Thermal Technologies, the return of the products and repayment of the price or the repair and replacement of nonconforming products and in no event shall A-B Thermal Technologies be liable for the incidental and consequential damages arising from any cause whatsoever.
- Product Liability:** Purchaser acknowledges that A-B Thermal Technologies has no control over and is not responsible for the manner in which the products will be used or otherwise dealt with by the purchaser. The purchaser therefore agrees to assume all responsibility for any and all sums which A-B Thermal Technologies and/or the purchaser become obligated to pay because of bodily injury or property damage caused by or resulting directly or indirectly from the installation, maintenance, use or operation of any products or the failure of the products to comply with any safety laws or regulations. Purchaser shall indemnify and hold A-B Thermal Technologies harmless from and against any and all actions, claims or demands arising out of or in any way connected with the installation, maintenance, use or operation of the products, or the design, construction or composition of any items or items made or handled by the products supplied hereunder, including any such actions, claims and demands based in whole or in part on the default or negligence.
- Proprietary Rights:** Any and all models, drawings, sketches, plans and other information supplied by one party to the other shall remain the property of the party who shall have supplied it. The other party may not use any such material or information except with respect to the products and/or services, which are subject to this sale transaction. Any product or service sold hereunder shall not constitute a license to use any of the proprietary rights of A-B Thermal Technologies.
- Applicable Law:** The terms and conditions of any contract arising out the transaction between the parties hereto shall be construed in accordance with the laws of the Province of Ontario.
- Acceptance:** Hereafter, whether it be verbally or by fax or mail or e-mail, any purchase order issued to A-B Thermal Technologies shall fall under these terms and agreement.

New Account Credit Application

Sign and date if forwarding with standard credit reference attachments

Are you assigning A-B Thermal Technologies a Vendor Code? If yes, please provide:

Legal Business Name: _____

Parent Company: _____

Address: _____ If a PO Box, please also provide street address:

Phone: _____ Fax: _____

Web Site Address : _____

DUNS Number: _____

U.S Companies Only: Federal Tax ID Number: _____

Canadian Companies Only: Business Registration Number: _____

Provincial Tax Exempt? Yes ___ No ___ PST Number _____

GST Exempt? Yes: ___ No: ___ GST Number: _____

Name of Owner, President or GM: _____ Title _____

Form of business: Corporation Limited Liability Company or Limited Partnership

General Partnership Unincorporated entity

Type of business / industries served: _____

Accounts Payable contact: _____ Tel: _____

Accounts Payable E-mail: _____ Fax: _____

Estimated annual purchases \$ _____ 30 day revolving credit amount desired: \$ _____

Bank reference (name/address/phone number/bank account #)

Trade Credit References (name/address/contact information/phone/fax)

1) _____

2) _____

3) _____

4) _____

Authorizing Signature

Date

By signing this form, the applicant agrees that A-B Thermal Technologies may conduct a credit check and exchange information with other parties for the purpose of establishing credit worthiness

Standard Credit Terms are Net 30 days

For Our Privacy Statement Please Visit www.firesleeveandtape.com/privacy-policy.html

Please Note: Standard Credit Terms are 1% 10, Net 30 days