

Salsco, INC.
LEADER BY DESIGN

MADE IN THE U.S.A

**PART/OPERATORS MANUAL
GAS GREENS ROLLER
MODEL 09067 - 8HP HONDA, Pull Start
MODEL 09066 - 9HP HONDA, Electric Start
MODEL 09065 - 13HP HONDA, Electric Start**



MANUFACTURER OF OUTDOOR POWER EQUIPMENT

Products for Turf & Lawncare, Rental, Construction, Tree care, Wood Processing, Nursery & Farm Industries
Other Salsco Equipment

**3-1/2" - 18", Gas, Diesel, and P.T.O, Wood/Brush Chippers
Chipper Shredder Vacuums - Tailgate & Truckloader Vacuums
Track & Rubber Tire Mini-Pavers - Tailgate & Truckloader Leaf Vacuums**

***Quality of Workmanship, Innovative
Design, Built to Last!***

105 School House Road
Cheshire, CT 06410 U.S.A.
800-872-5726, 203-271-1682, 203-271-2596 (Fax)
sales@salsco.com, www.salsco.com

TABLE OF CONTENTS

MODEL 09066, 09067, 09065 GAS GREENS ROLLERS

COVER & TABLE OF CONTENTS.....Pages 1 – 2

STATEMENT OF FACT Page 3

SPECIFICATIONS & FEATURESPage 4

MACHINE REGISTRATIONPage 5

SAFETY & OPERATING INSTRUCTIONSPage 6

SERVICE & MAINTENANCE INSTRUCTIONSPage 7

PARTS DIAGRAMSPages 8 – 22

HYDRAULIC MOTORS & SEAL KITSPage 23

TORQUE CHARTSPage 24

WARRANTY POLICY/PROCEDUREPage 25

COPY OF WARRANTY CLAIM FORM.....Page 26

COPY OF DEALER DELIVERY REPORT & WARRANTY CARD.....Page 27

SERVICE SCHEDULE LOGPage 28

SALSCO, INC.
105 School House Road
Cheshire, CT 06410
800-872-5726, 203-271-1682
203-271-2596 (Fax)
www.salsco.com, sales@salsco.com

STATEMENT OF FACT

You have just purchased the highest quality, most maneuverable, dependable, **GREENS ROLLER** on the market today. This unit has the ability to meet exact standards and perform for years with minimum downtime. **HOWEVER**, it cannot read nor will it understand this manual no matter how long you leave it on top of the machine.

It is your responsibility to read and understand this manual; it is also your responsibility to be certain this information is passed along to anyone who is expected to operate this equipment. Should you choose not to read, understand and pass along the information provided you, please expect equipment failure and possible injuries to persons around this equipment.

For the safety of the operator, it is **imperative** that this manual is carefully read and understood.

Once you have read this manual, it is your responsibility to be sure that all new operators read and understand this manual, especially all cautions stated.

As a manufacturer of equipment, we have a responsibility to design a safe piece of equipment. **NOTE:** The important safeguards and instructions in this manual are not meant to cover all possible conditions and situations that may occur. It must be understood that common sense, caution, and care are factors, which cannot be built into any product. These factors must be supplied by the person(s) caring for and operating this equipment.

ONLY YOU CAN PREVENT ACCIDENTS!!

SPECIFICATIONS AND FEATURES **MODELS 09065, 09066, 09067 - GAS GREENS ROLLER**

The Salsco Greens Roller is actually a multi-purpose tool, which, in a short time, has become a must-have for many golf courses. Our unit can be used on GREENS, WET OR DRY, and will increase speed an average of 1-2 feet. However, that's only part of the story. We can ROLL SOD, CLAY TENNIS COURTS, CART PATHS, SUB BASE FOR NEW GREENS CONSTRUCTION, WET GREENS, WET SPOTS ON FAIRWAYS, etc., etc. Because of traction and maneuverability this machine is ready and able when you are.

Drive System

An 8HP Honda, gasoline, pull start engine powers our unit. (9HP or 13HP Honda, electric starts, are available as an option.) Power is delivered to a Hydrostatic Pump through a love-joy coupling. Fluid power is then transmitted through 2,500 P.S.I. (10,000-lb. burst) hoses to drive motors. Drive motors change fluid power to mechanical power and transmit it through #50 chain to the rolls. We drive both 10" diameter rolls. This gives us not only the best traction in the roller business, but only 4.2 lbs. per square inch of weight. Compaction is not an issue at 4.2 P.S.I. (a 200 lb. person = 12.5 P.S.I.)

Compaction is Never a Problem

4.2 P.S.I. puts compaction at the lowest possible level. We want to smooth out the surface, not change it or compact it. Both rollers can be filled with water which will add approximately 128 lbs. and 1.4 P.S.I. to the already 4.2 P.S.I. = 5.6 P.S.I. for rolling out frost heaves, tees or after verti-draining.

The Salsco Roller is very user friendly, with automotive type steering and smooth pedal controls. Operators spend very little time getting comfortable with this machine, usually before the first green is done.

The Salsco Greens Roller comes standard with it's own trailer. When not in use with the Greens Roller, it can be used for many other tasks. An example would be for transporting greens mowers from green to green.

10/08

MACHINE REGISTRATION

MANUFACTURED BY: SALSCO, INC.
105 School House Rd., Cheshire, CT 06410
800-872-5726, 203-271-1682, 203-271-2596 (Fax)
sales@salsco.com www.salsco.com

THIS MANUAL COVERS MODEL (s): MODELS 09065, 09066, 09067 GAS GREENS ROLLERS

This company reserves the right to discontinue, add improvements to, or change the design of any model or product at any time without obligation to improve existing machines, either by changing the design or adding new parts.

It has been and will continue to be the policy of SALSCO to update existing machines at its own discretion. Whenever possible, new designs will be made in such a way that they can be "Retro Fit" if so desired.

Record in the space provided below the model and serial number of this unit. Please retain these numbers for future reference.

No parts orders will be accepted **WITHOUT MODEL NUMBERS OR PART NUMBERS**. All part numbers are listed in this manual.

Serial Number _____ Model Number _____

NOTE: Be sure to complete your warranty card. This will insure immediate processing of any warranty claims.

READ AND UNDERSTAND THIS MANUAL BEFORE STARTING MACHINE

10/08

SAFETY INSTRUCTIONS

1. **NEVER** leave unit running while unattended.
2. **NEVER** park on a green for any reason.
3. **NEVER** go down steep hills sideways. **ALWAYS** approach hills straight on.
4. **NEVER** change your mind mid-way down a steep incline. Once you've started down a steep incline, change direction only with the greatest of care and gentlest touch.
5. Allow engine to cool for several minutes before filling with fuel, since fuel tank is over the engine.

NOTE: HONDA ENGINES - ALWAYS TURN OFF THE FUEL SHUTOFF, WHEN THE ENGINE IS NOT RUNNING, i.e. WHEN IN TRANSPORT, STORAGE, ETC.

OPERATING INSTRUCTIONS

1. Check that the unit has been serviced and all fluids are checked and topped off.
2. Check all hydraulic hose fittings.
3. Push fuel shut off switch to on position.
4. Push choke to full on position
5. Push throttle to just above idle.
6. Turn on/off switch to on position.
7. You should start engine from seat position. Just reach down to engine controls. Keep feet off pedals. Hydrostatic drive should come to neutral when engine starts.
8. Pull rope and engine will come to life. Hydrostatic transmission should come to neutral when engine is started. **REMEMBER: RIGHT PEDAL TO GO RIGHT, LEFT PEDAL TO GO LEFT.**
9. Slide choke to full off position.
10. Once unit is running at just above idle, push pedal down slowly. Unit will begin to move. Drive it out of trailer on to grass area.
11. Since the unit is hydrostatic, engine should run at full R.P.M. and speed should be controlled by pressure on the pedal.

HINTS:

1. **KEEP BOTH FEET ON PEDALS AT ALL TIMES.** By keeping your heels planted and moving your toes to change direction, you have smooth control - left to right.
2. If you roll the same direction as green was mowed, it's easy to follow the lines. This helps a new operator do a fine job sooner.
3. To insure longer life to your unit, when changing direction do so smoothly.

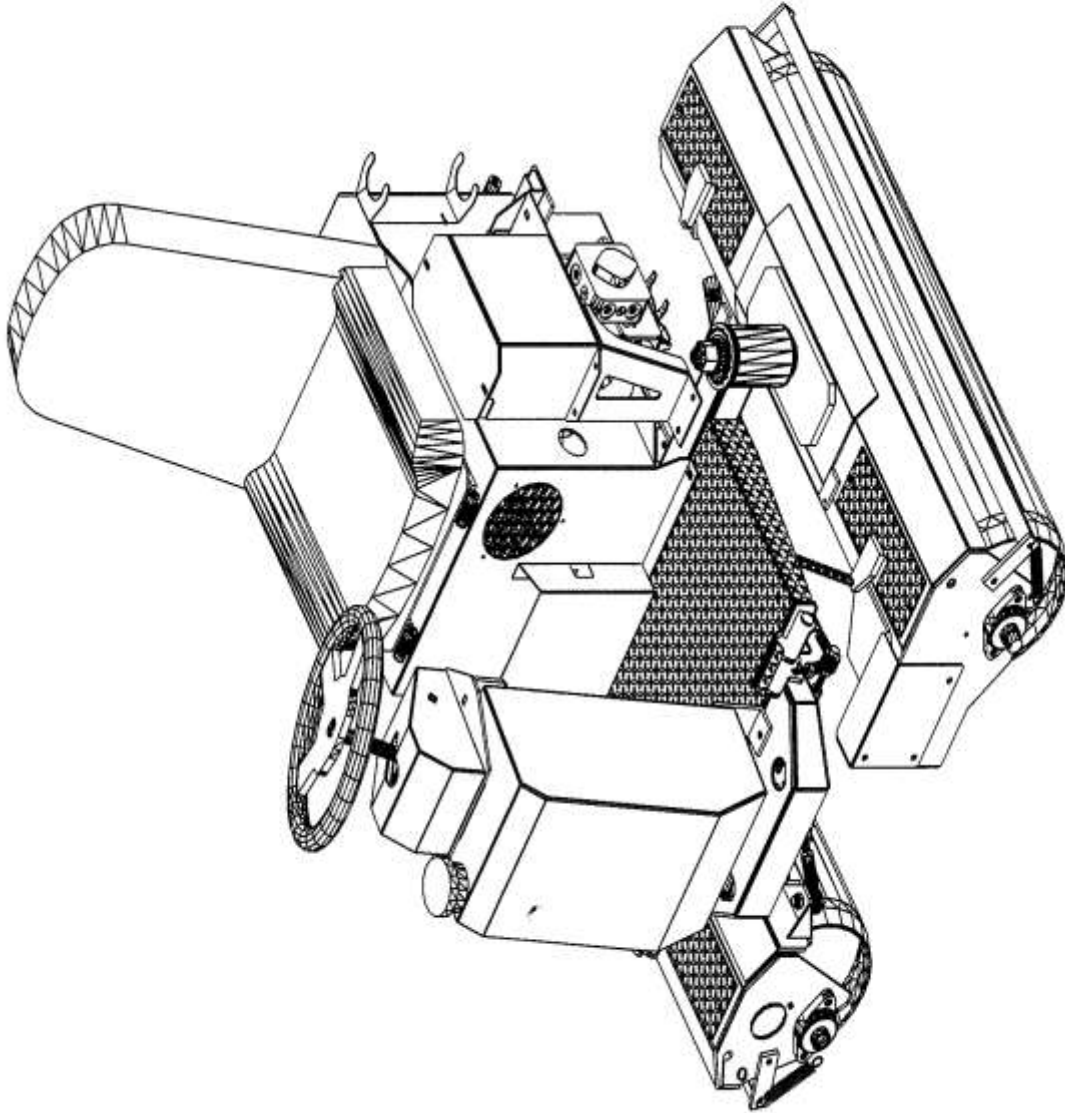
9/2010

SERVICE & MAINTENANCE INSTRUCTIONS

1. Check all hydraulic hoses **DAILY, or before each scheduled use**, for wear and any signs of chaffing. **REMINDER:** Drive motor hoses should be treated as wear items and should be replaced on a yearly basis.
2. Check all fittings for any signs of leaking **DAILY, or before each scheduled use**.
3. Check all grease fittings as listed below on a **WEEKLY** basis, and grease as necessary. (Add grease till grease leaks slightly from fitting.)
 - ◆ Bearings on roll housings - Quantity 4
 - ◆ Pivot bearing on main housing - Quantity 2
 - ◆ U-Joint on steering shaft - Quantity 1
4. Check engine to manufacturers specifications and maintenance. **THIS ENGINE HAS AN OIL SHUT OFF SWITCH. CHECK OIL LEVEL FREQUENTLY AS THE UNIT WILL STALL ON INCLINES IF OIL LEVEL IS LOW.**
5. Fill hydraulic tank to 4-6" below filler cap. Be sure to tighten cap till cap seals.
6. After approximately **1 WEEK** of use, **and then every 2 WEEKS thereafter**, check drive chains - one on each side on roller drive motor. Pivot motor to tighten chain. **NOTE:** Check and adjust the tension of both drive motor chains on a regular basis. If chains are not tight, this could cause severe sprocket wear and possible breakage.
7. After approximately **1 WEEK** of use, **and then every 2 WEEKS thereafter**, check chains on steering. Adjust as needed.
8. Pivot for articulating steering should be tight, **with no play**, much the same as wheel bearings on cars.
9. **Keep unit clean.** Should rust form on rolls, simply drive the unit on a rough area till rolls are clean.
10. **Oil & Filter Type** - It has been determined that your Salsco machine will perform better by using a 25 micron filter. Salsco recommends using Mobil DTE 26 or Citgo HYD 68, non-detergent hydraulic oil, or their equivalents. The oil should have a viscosity rating of at least 100 SSU. While this is not a necessity, it will improve the overall performance of your machine. Salsco is now using this filter and hydraulic oil on all our machines using hydraulics.

SAFETY IS A PRIME CONCERN AT SALSCO AND THE SAFETY DECALS ON YOUR MACHINE ARE A HIGHLY VISIBLE AND CONSTANT REMINDER TO ALL OPERATORS. REPLACEMENT SAFETY DECALS MAY BE OBTAINED BY CALLING SALSCO @ 1-800-872-5726, OR THE DEALER IN YOUR AREA.

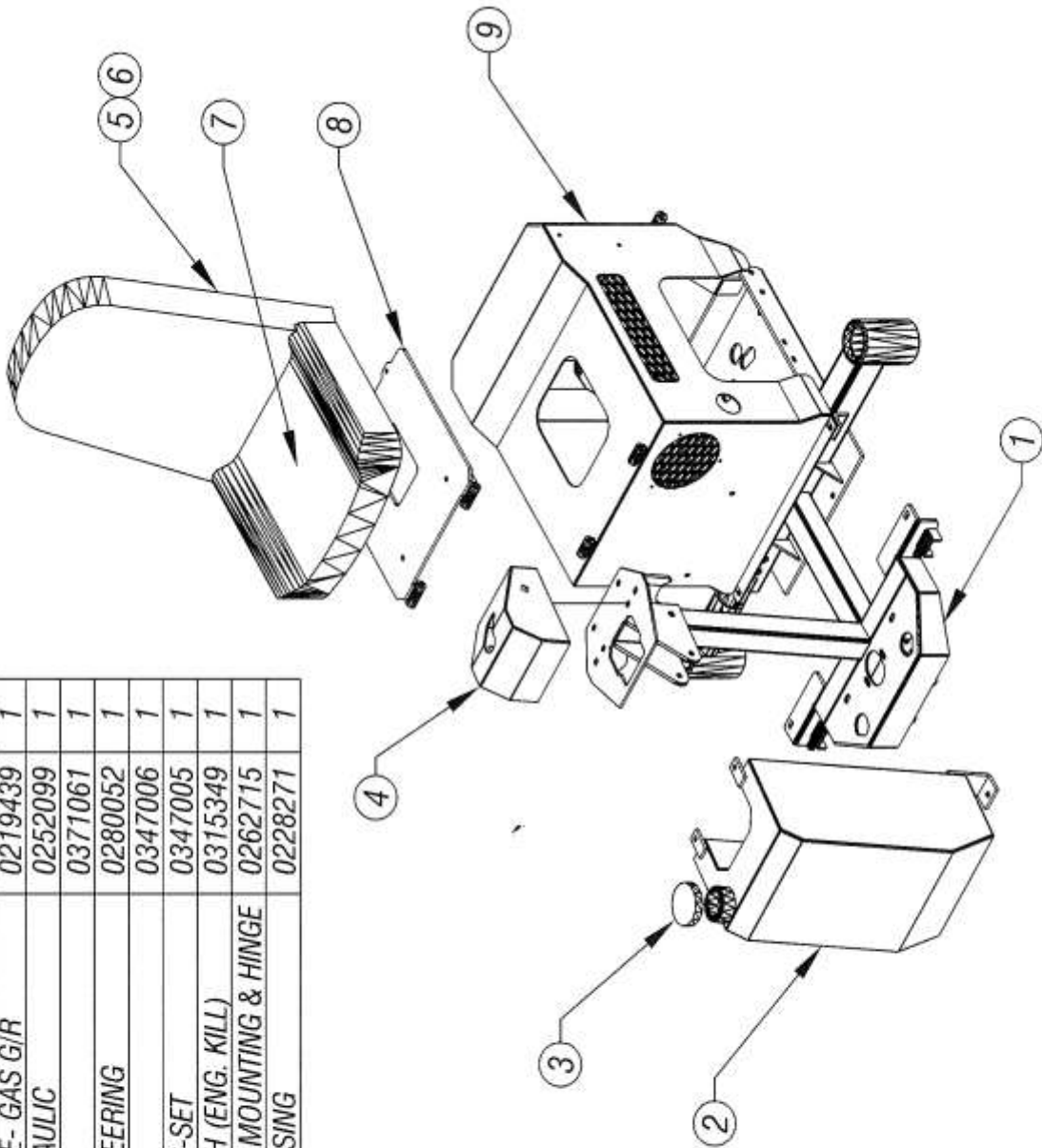
ISSUED: 07-15-2008



COMPLETE GAS GREENS ROLLER - DWG #1

ISSUED: 07-15-2008

ITEM	DESCRIPTION	PART NO	QTY
1	FRAME, BASE- GAS G/R	0219439	1
2	TANK, HYDRAULIC	0252099	1
3	FUEL CAP	0371061	1
4	BOX, TILT STEERING	0280052	1
5	SEAT- ONLY	0347006	1
6	SEAT SLIDES-SET	0347005	1
7	SEAT SWITCH (ENG. KILL)	0315349	1
8	PLATE, SEAT MOUNTING & HINGE	0262715	1
9	ENGINE HOUSING	0228271	1

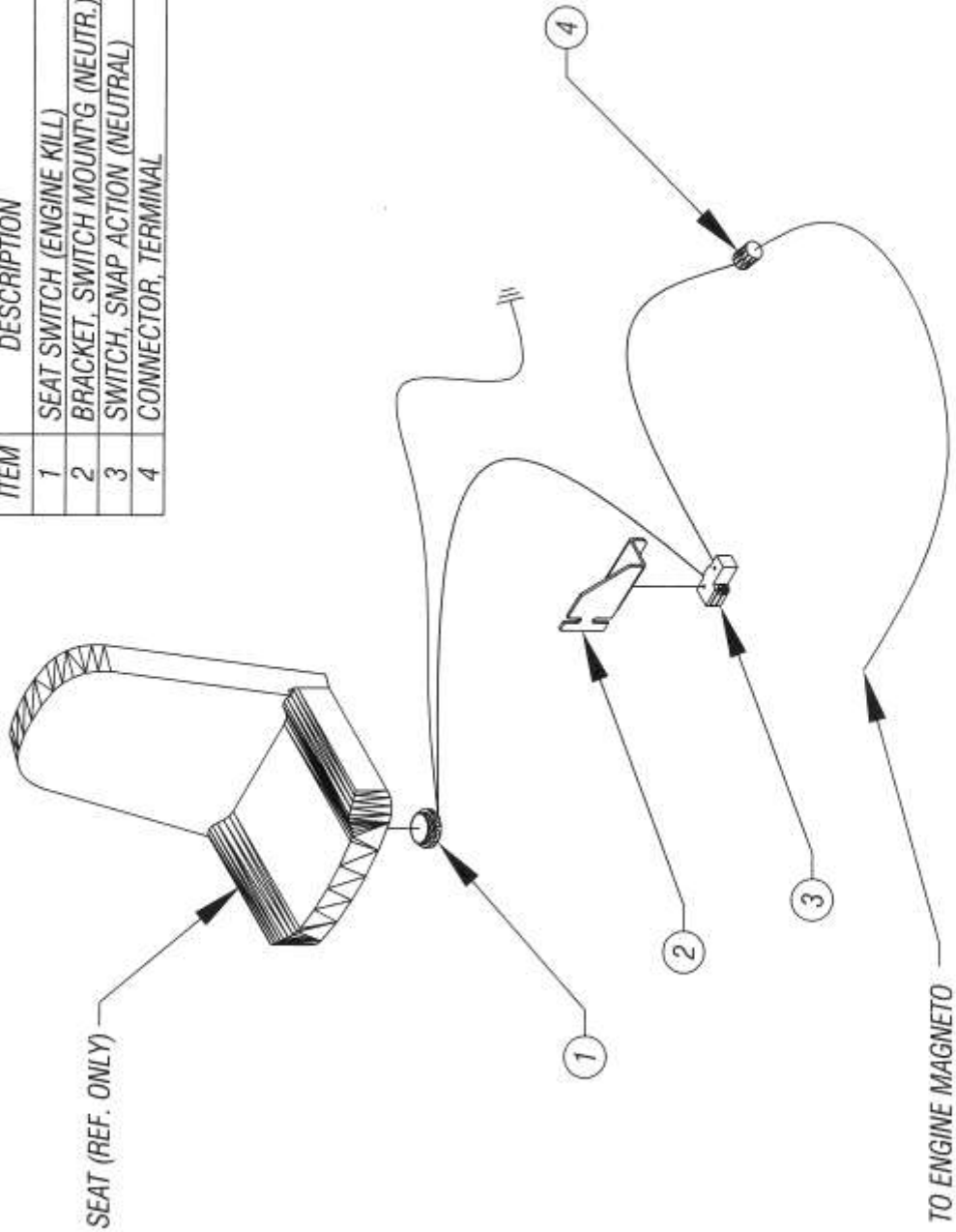


GAS GREENS ROLLER - DWG #2

ISSUED: 11-20-2008

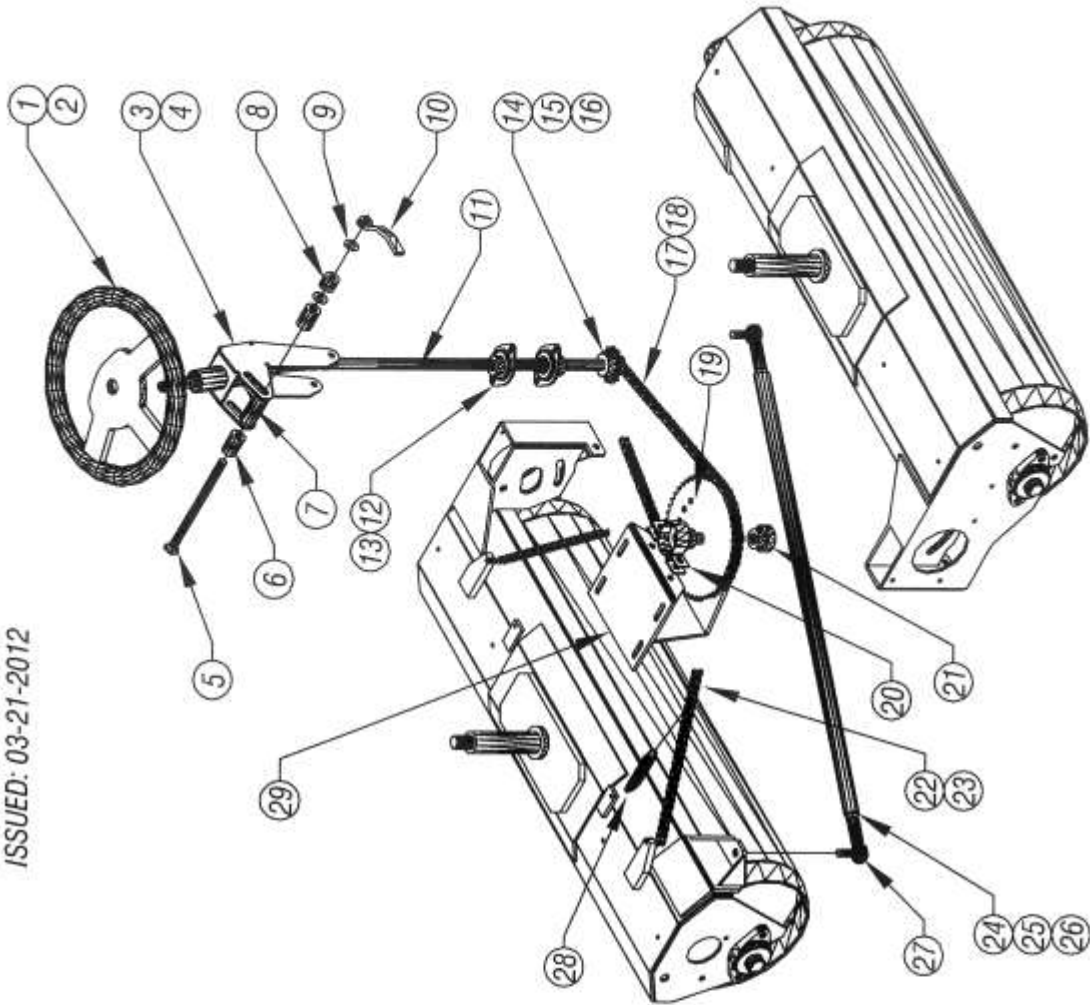
REV. DESCRIPTION DATE

ITEM	DESCRIPTION	PART NO	QTY
1	SEAT SWITCH (ENGINE KILL)	0315349	1
2	BRACKET, SWITCH MOUNT'G (NEUTR.)	0406978	1
3	SWITCH, SNAP ACTION (NEUTRAL)	0315375	1
4	CONNECTOR, TERMINAL	0315354	1



COMPLETE - NEUTRAL SAFETY SWITCH ASSEMBLY
GAS GREENS ROLLER - DWG #12

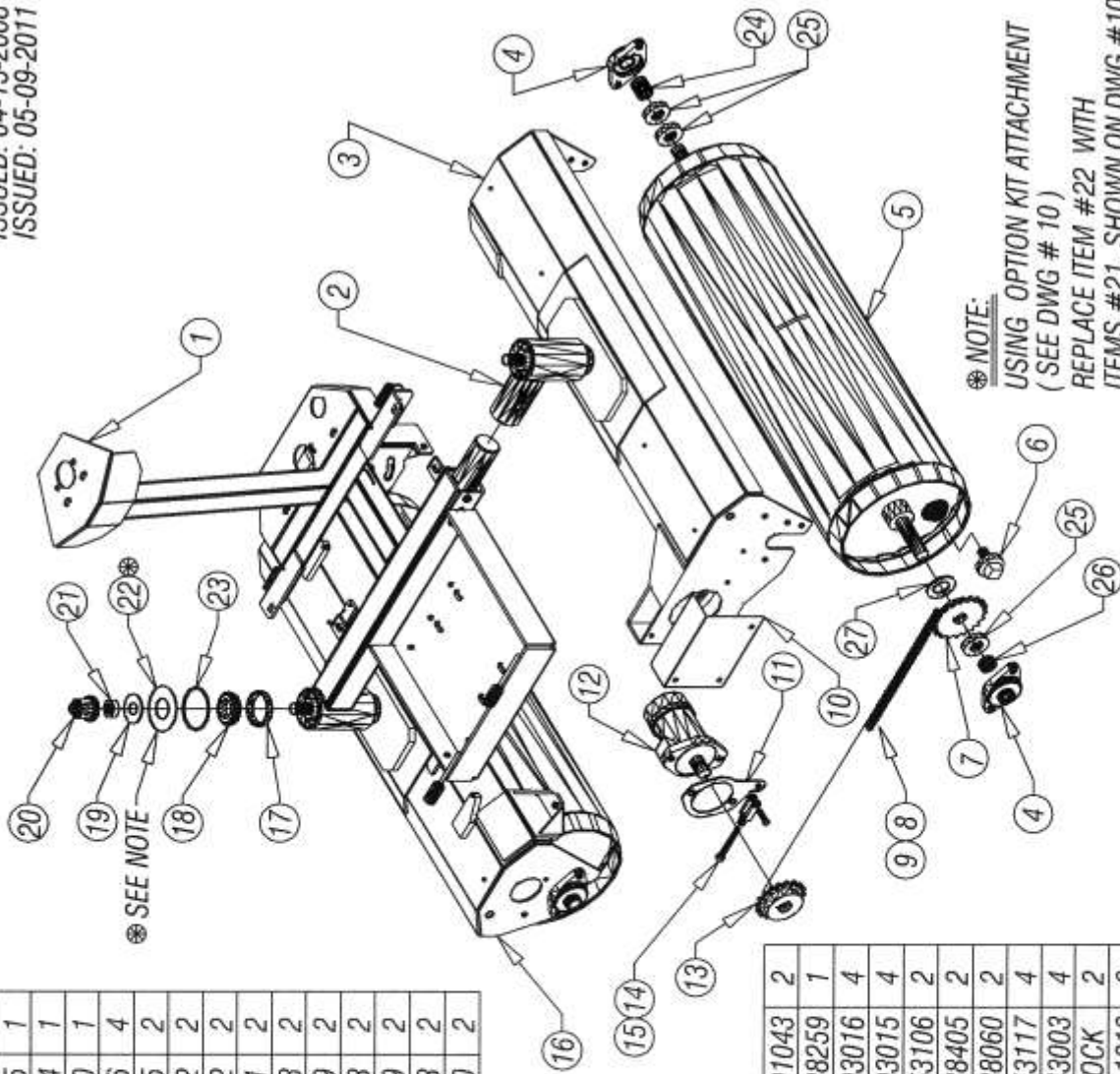
~~ISSUED: 07-15-2008~~
~~ISSUED: 08-09-2011~~
 ISSUED: 03-21-2012



ITEM	DESCRIPTION	PART NO	QTY
1	STEERING WHEEL	0336052	1
2	CAP, STEERING WHEEL	0336124	1
3	ARM, TILT WHEEL STEER'G PIVOT	0265113	1
4	BUSHING, OILLITE	0307038	2
5	CARRIAGE BOLT	0346458	1
6	DOM TUBE - 1" OD x 1/4 WALL x 1.515 LG		2
7	DOM TUBE - 1" OD x 1/4 WALL x 2.500 LG		1
8	DOM TUBE - 1" OD x 1/4 WALL x .875		1
9	WASHER, FLAT - UHMW	0353333	2
10	EASY GRIP HANDLE - (1/2 - 13)	0323142	1
11	FLEXIBLE SHAFT	0448329	1
12	FLANGETTE, (2) BOLT	0303005	4
13	BEARING INSERT - 3/4 ID	0303023	2
14	SPROCKET, STEERING SHAFT	0351003	1
15	KEY - 3/16 SQ x 1" LONG	0431004	1
16	COLLAR, SET	0311006	1
17	ROLLER CHAIN, #40(103)LINKS	0309012	1
18	CONNECTING LINK #40	0309006	1
19	SPROCKET & SHAFT	0251014	1
20	PILLOW BLOCK	0303024	2
21	BEARING INSERT	0303023	2
22	ROLLER CHAIN, #50 (68) LINKS	0309013	1
23	CONNECTING LINK #50	0309008	2
24	TIE ROD	0245008	1
25	JAM NUT, 1/2 - 20	0338058	2
26	LOCK WASHER	0353015	2
27	ROD END	0303017	2
28	EXTENSION SPRING	0350009	2
29	BRACKET, STEERING SPROCKET	0206120	1

GAS GREENS ROLLER - DWG #3

ISSUED: 04-15-2008
 ISSUED: 05-09-2011



NOTE:
 USING OPTION KIT ATTACHMENT
 (SEE DWG # 10)
 REPLACE ITEM #22 WITH
 ITEMS #21, SHOWN ON DWG #10

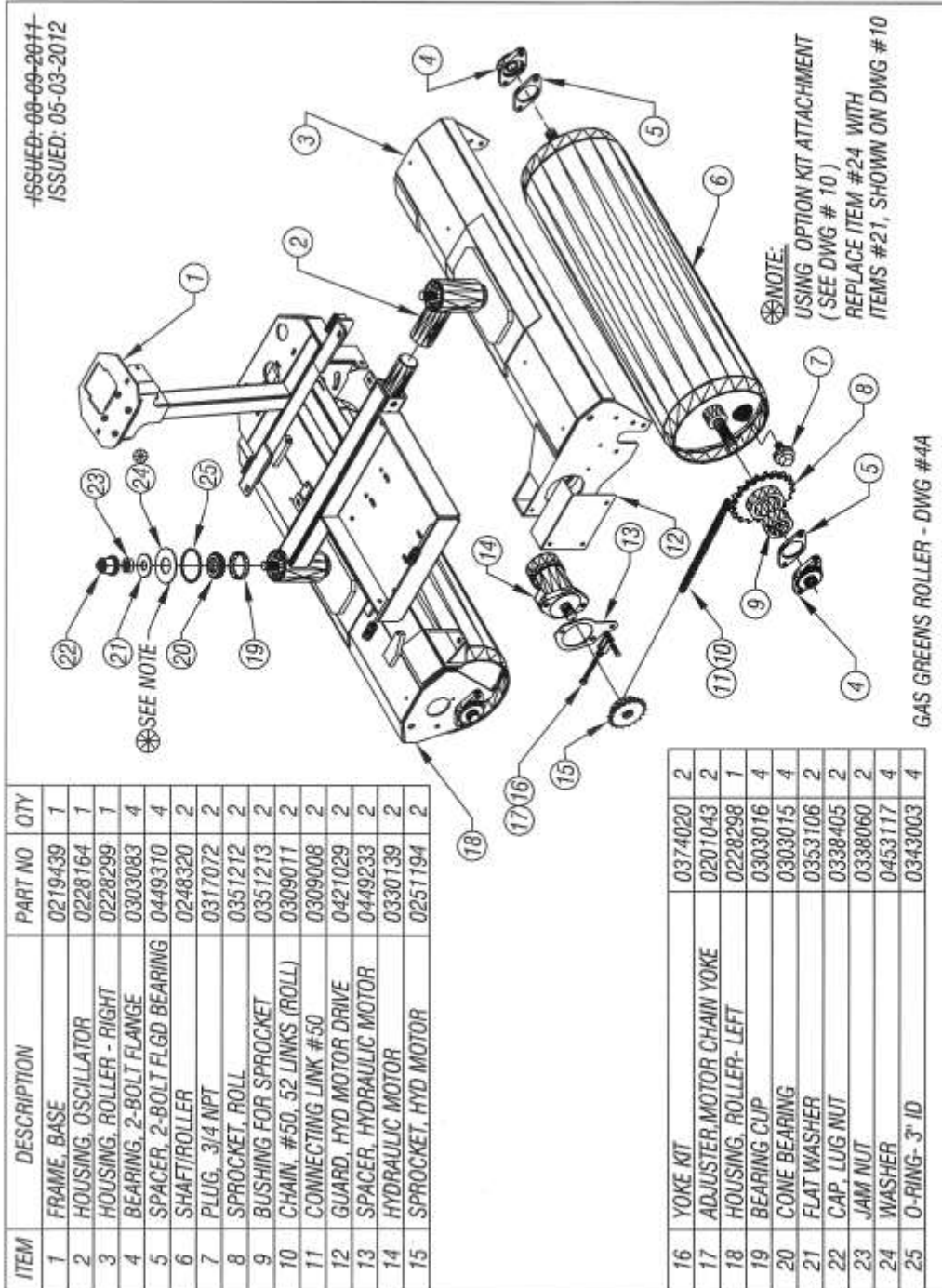
GAS GREENS ROLLER - DWG #4

ITEM	DESCRIPTION	PART NO	QTY
1	FRAME, BASE	0219375	1
2	HOUSING, OSCILLATOR	0228164	1
3	HOUSING, ROLLER-OSCILLATING	0228260	1
4	BEARING, 2-BOLT FLANGE	0303006	4
5	SHAFT/ROLLER	0248065	2
6	PLUG, 3/4 NPT	0317072	2
7	SPROCKET, ROLL	0351012	2
8	CHAIN, #50, 52 LINKS (ROLL)	0309011	2
9	CONNECTING LINK #50	0309008	2
10	GUARD, HYD MOTOR DRIVE	0421029	2
11	SPACER, HYDRAULIC MOTOR	0449233	2
12	HYDRAULIC MOTOR	0330139	2
13	SPROCKET, HYD MOTOR	0351013	2
14	YOKE KIT	0374020	2

NOTE:
 AFTER MACH S/N 3377
 SEE MANUAL DWG #4A
 FOR NEW PART NUMBERS

15	ADJUSTER, MOTOR CHAIN YOKE	0201043	2
16	HOUSING, ROLLER-STEERING	0228259	1
17	BEARING CUP	0303016	4
18	CONE BEARING	0303015	4
19	FLAT WASHER	0353106	2
20	CAP, LUG NUT	0338405	2
21	JAM NUT	0338060	2
22	WASHER	0453117	4
23	O-RING- 3" ID	0343003	4
24	SPACER, STL-1 1/4 ODx.12WALLx1.25	STOCK	2
25	COLLAR, SINGLE SPLIT	0311010	6
26	SPACER, STL-1 1/4 ODx.12WALLx.550	STOCK	2
27	WASHER, FLAT - 1 1/4 ID	0353122	2

-ISSUED: 08-09-2011-
ISSUED: 05-03-2012



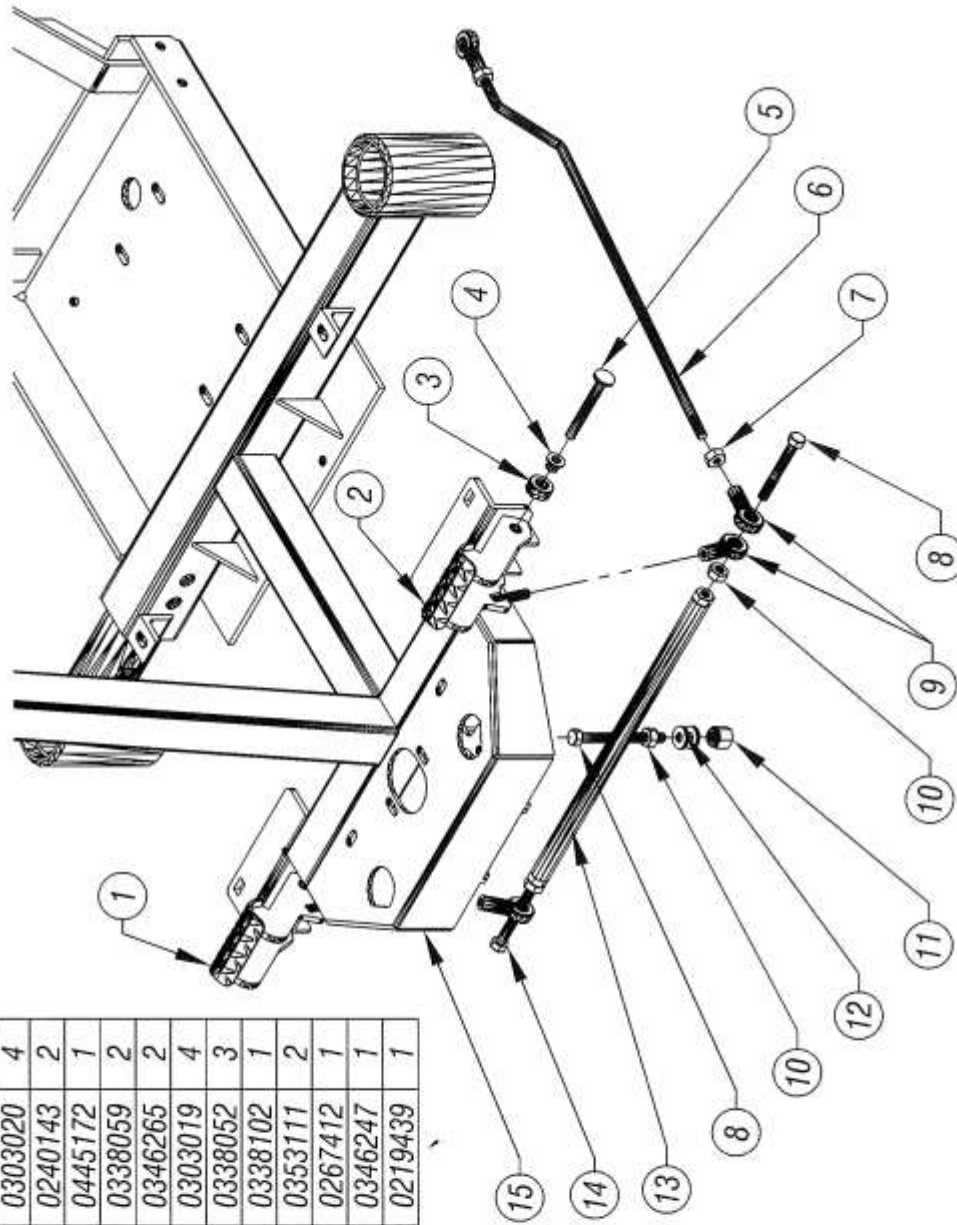
GAS GREENS ROLLER - DWG #4A

ITEM	DESCRIPTION	PART NO	QTY
1	FRAME, BASE	0219439	1
2	HOUSING, OSCILLATOR	0228164	1
3	HOUSING, ROLLER - RIGHT	0228299	1
4	BEARING, 2-BOLT FLANGE	0303083	4
5	SPACER, 2-BOLT FLGD BEARING	0449310	4
6	SHAFT/ROLLER	0248320	2
7	PLUG, 3/4 NPT	0317072	2
8	SPROCKET, ROLL	0351212	2
9	BUSHING FOR SPROCKET	0351213	2
10	CHAIN, #50, 52 LINKS (ROLL)	0309011	2
11	CONNECTING LINK #50	0309008	2
12	GUARD, HYD MOTOR DRIVE	0421029	2
13	SPACER, HYDRAULIC MOTOR	0449233	2
14	HYDRAULIC MOTOR	0330139	2
15	SPROCKET, HYD MOTOR	0251194	2

16	YOKE KIT	0374020	2
17	ADJUSTER, MOTOR CHAIN YOKE	0201043	2
18	HOUSING, ROLLER-LEFT	0228298	1
19	BEARING CUP	0303016	4
20	CONE BEARING	0303015	4
21	FLAT WASHER	0353106	2
22	CAP, LUG NUT	0338405	2
23	JAM NUT	0338060	2
24	WASHER	0453117	4
25	O-RING- 3" ID	0343003	4

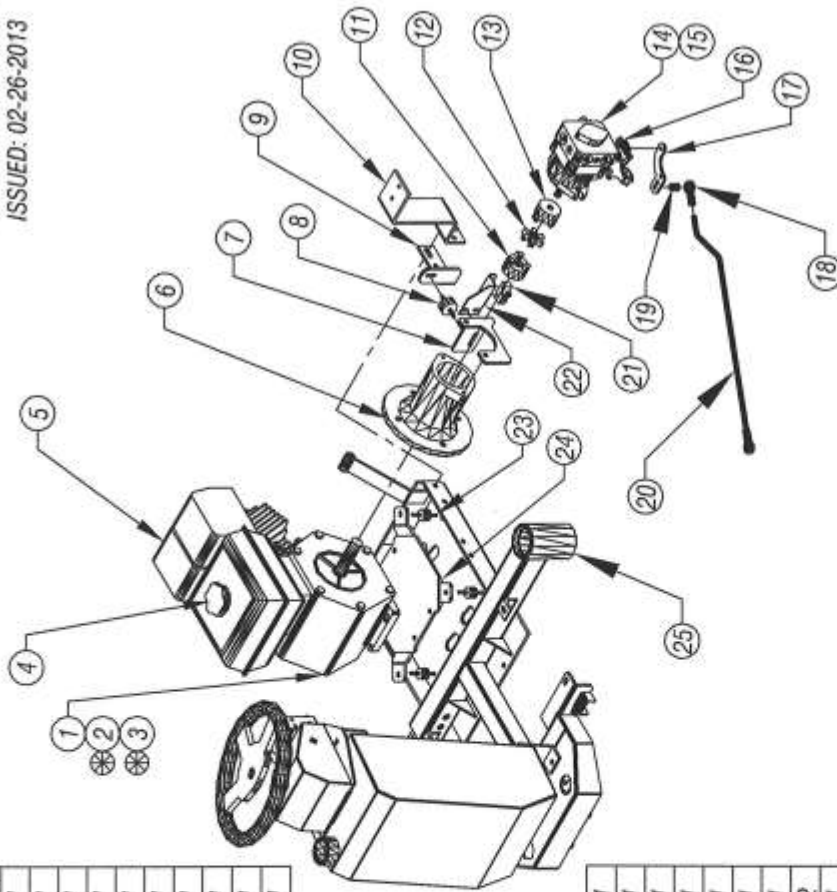
ISSUED: 07-15-2008

ITEM	DESCRIPTION	PART NO	QTY
1	PEDAL, FOOT- RIGHT	0268028	1
2	PEDAL, FOOT- LEFT	0268029	1
3	COLLAR, SET	0311031	2
4	BUSHING, FLGD- OILLITE	0303020	4
5	PIN, FOOT PEDAL PIVOT	0240143	2
6	ROD, FORWARD/REVERSE	0445172	1
7	JAM NUT, 3/8-24	0338059	2
8	SCREW, HEX HEAD	0346265	2
9	ROD END	0303019	4
10	JAM NUT, 3/8-16	0338052	3
11	LOCK NUT, NYLON INSERT	0338102	1
12	FLAT WASHER	0353111	2
13	TUBE, STEERING	0267412	1
14	SCREW, HEX HEAD	0346247	1
15	FRAME, BASE	0219439	1



GAS GREENS ROLLER - DWG #5

-ISSUED-12-22-2008-
ISSUED: 02-26-2013



ITEM	DESCRIPTION	PART NO	QTY
1	ENGINE, 8HP HONDA	0337021	1
2	ENGINE, 9HP HONDA-ELEC.START	0337336	1
3	ENGINE, 13HP HONDA-ELEC.START	0337033	1
4	GAS CAP	0371411	1
5	FUEL SCREEN FILTER	0318048	1
6	BELL HOUSING	0328059	1
7	PUMP SUPPORT BRACKET	0477231	1
8	RUBBER MOUNT, VIBRT DAMPG	0376250	1
9	BRACKET, VIBRATION DAMPING	0406877	1
10	FILTER BRACKET	0206131	1

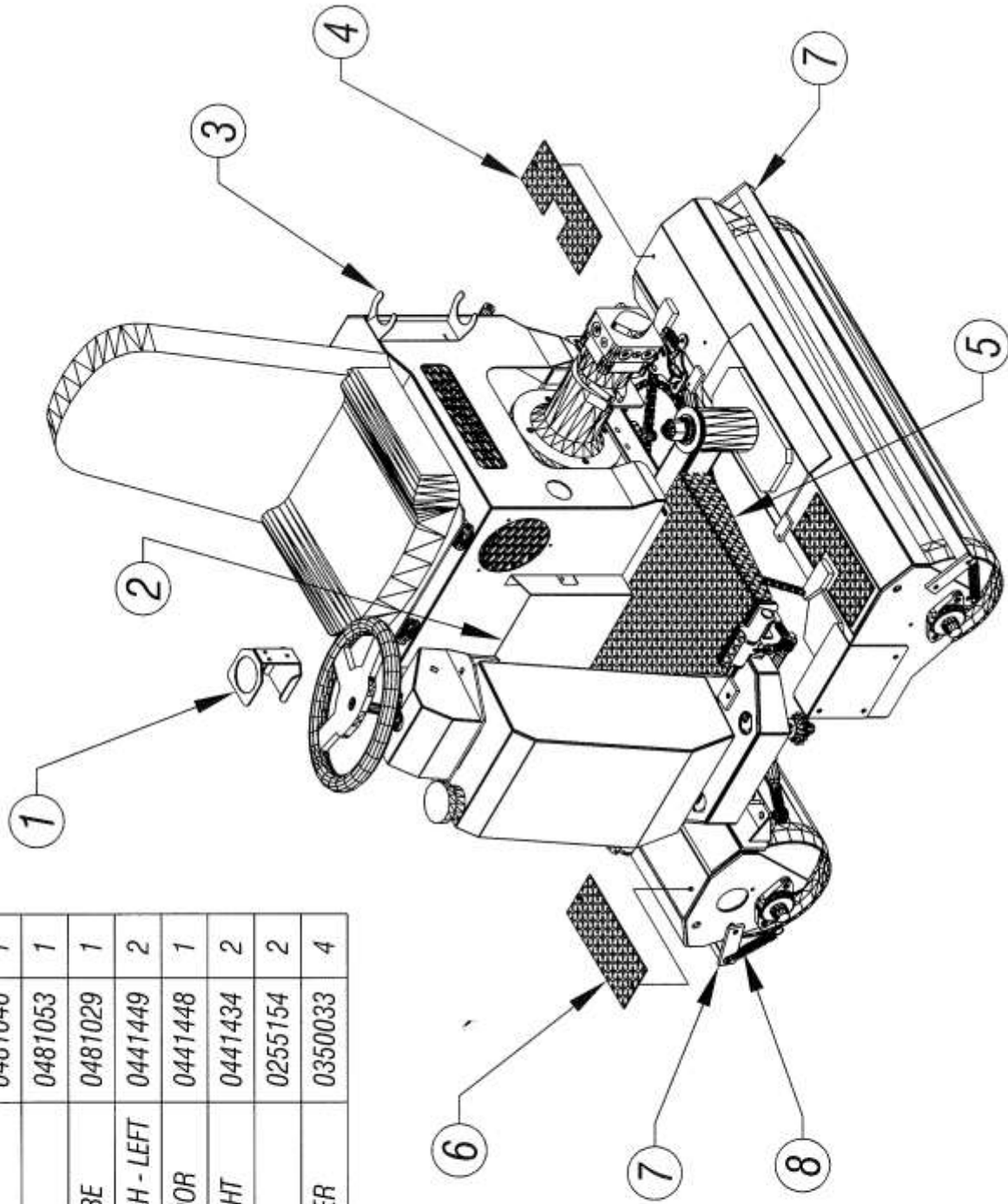
⊗ OPTION (SEE NOTE)

NOTE:
9HP & 13HP HONDA - ELECTRIC START,
INCLUDES BATTERY COMPONENTS
SHOWN ON DWG #8

11	HUB, 1" BORE	0313003	1
12	SPIDER COUPLING	0313004	1
13	HUB, 15mm BORE	0313005	1
14	HYDRAULIC PUMP	0330146	1
15	SEAL KIT - HYDRAULIC PUMP	0330173	1
16	LINKAGE - RETURN TO NEUTRAL	0330175	1
17	LEVER, HYD PUMP- EXTENDED	0433209	1
18	ROD END	0303019	2
19	SPACER, STL-3/8 ID x 5/8 OD x 11/16(STOCK)	0445172	1
20	ROD, FORWARD / REVERSE	0445172	1
21	SWITCH, SNAP ACTION (NEUTRAL)	0315375	1
22	BRKT, SWITCH MOUNT'G (NEUTR.)	0406978	1
23	RUBBER MOUNT	0376319	4
24	PLATE, ENGINE MOUNT	0462462	1
25	FRAME, BASE	0219439	1

GAS GREENS ROLLER - DWG #6

ISSUED: 07-15-2008



ITEM	DESCRIPTION	PART NO	QTY
1	CAN HOLDER	0481046	1
2	HOLDER, CLIPBOARD	0481053	1
3	HOLDER, MANUAL TUBE	0481029	1
4	PLATE, DIAM. W/NOTCH - LEFT	0441449	2
5	PLATE, DIAMOND- FLOOR	0441448	1
6	PLATE, DIAMOND- RIGHT	0441434	2
7	SCRAPER, ROLL	0255154	2
8	SPRING, EXT.- SCRAPER	0350033	4

GAS GREENS ROLLER - DWG #7

-ISSUED-05-18-2010
 -ISSUED-05-17-2012
 ISSUED: 01-11-2013

ITEM	DESCRIPTION	PART NO	QTY
1	BOX, HEADLIGHT	0280014	2
2	HEADLIGHT LENS	0315136	2
3	BULB, HEADLIGHT-90°	0315343	2
4	PIGTAIL, HEADLIGHT	0315137	2
5	LOOM, SPLIT, 3/8 DIA	STOCK	1
6	MOUNT, BATTERY BOX	0276679	1
7	BATTERY BOX	0280053	1
8	COVER, BATTERY BOX	0480012	1
9	BATTERY, 12 VOLT	0336008	1
10	CONNECTOR, BATTERY WIRE	0315083	4
11	WIRE, 14 GAUGE (BLACK)	STOCK	1

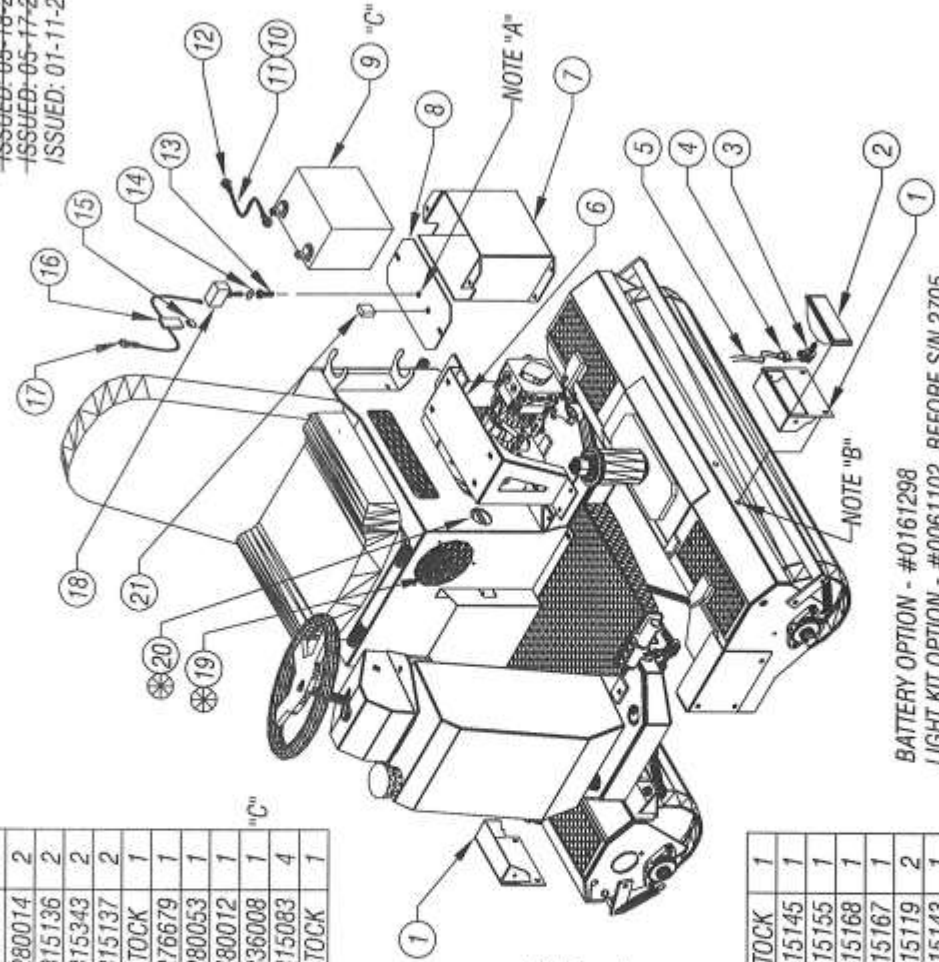
NOTE "A" : 1/2 DIA DRILL THRU
 FOR TOGGLE SWITCH
 LOCATE AS SHOWN.

NOTE "B" : 9/32 DRILL THRU
 (2) HOLES IN BOTH ROLL HSGS
 LOCATE FROM HEADLIGHT BOX.

"C" : NOT INCLUDED- AFTER MARKET

⊗ THIS ITEMS ARE STANDARD ON
 13HP HONDA ENGINE ONLY

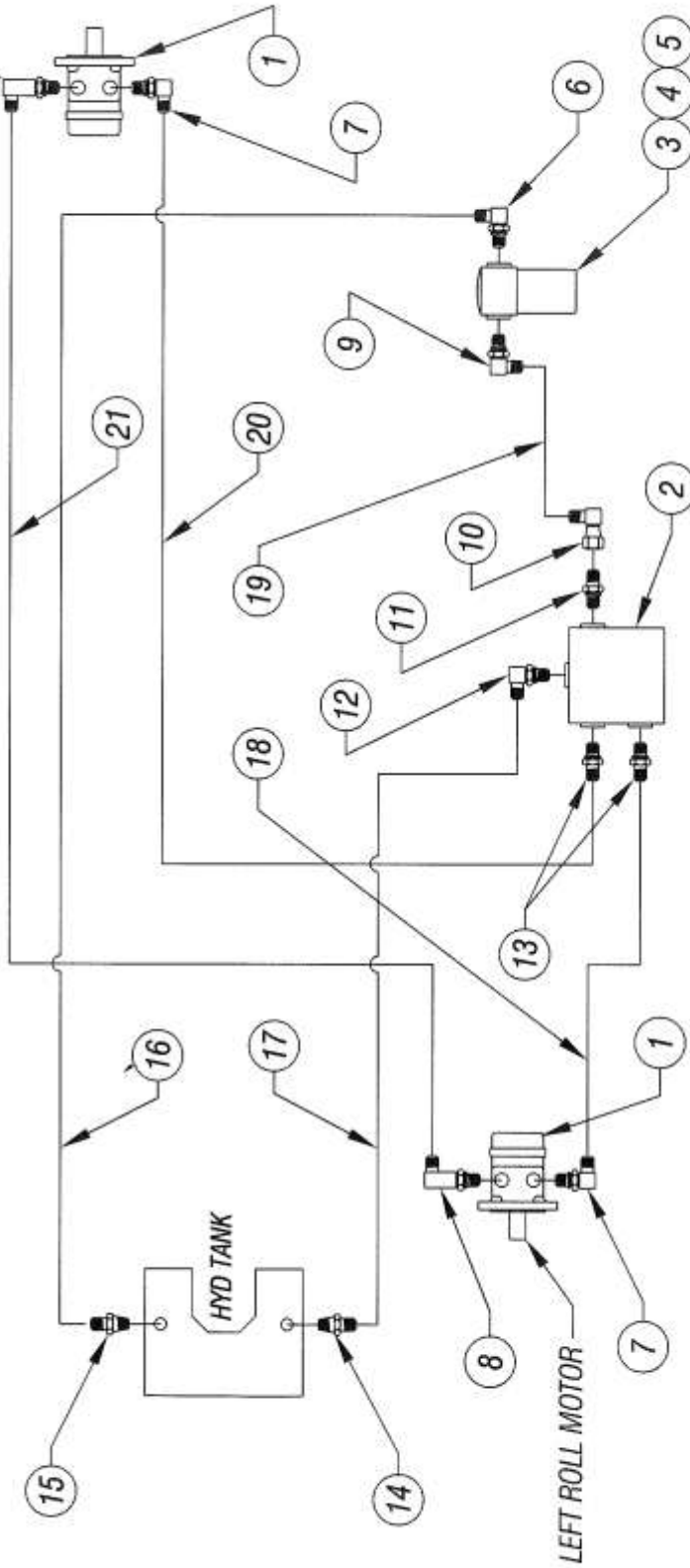
12	WIRE, 14 GAUGE (RED)	STOCK	1
13	BOOT, TOGGLE	0315145	1
14	PLATE, ON / OFF	0315155	1
15	FUSE, (IN LINE)	0315168	1
16	HOLDER, FUSE	0315167	1
17	CONNECTOR, SWITCH	0315119	2
18	SWITCH, TOGGLE	0315143	1
19	DC ELECTRIC FAN	0315370	1
20	HOUR METER	0315369	1
21	RELAY	0315409	1



NOTE "A"
 NOTE "B"
 NOTE "C"
 BATTERY OPTION - #0161298
 LIGHT KIT OPTION - #0061102 BEFORE S/N 2705
 LIGHT KIT OPTION - #0161323 S/N 2705 & UP
 GAS GREENS ROLLER - DWG #8

ISSUED: 07-15-2008

ITEM	DESCRIPTION	PART NO	QTY	ITEM	DESCRIPTION	PART NO	QTY
1	HYD DRIVE MOTOR	0330139	2	11	CONNECTOR, 1/2FL x3/8 O-RING	0317066	1
2	HYD PUMP	0330146	1	12	90° ELBOW, 3/8 FL x 3/8 O-RING	0317029	1
3	HYD FILTER HOUSING ONLY	0318039	1	13	CONNECTOR, 1/2 FL x 1/2 O-RING	0317030	2
4	HYD FILTER & HOUSING	0318022	1	14	CONNECTOR, 3/8 FL x 1/2 MNPT	0317050	1
5	OIL FILTER ELEMENT ONLY	0318023	1	15	CONNECTOR, 5/8 FL x 1/2 MNPT	0317062	1
6	90° ELBOW, 5/8 FL x 3/4 O-RING	0317214	1	16	HOSE, TANK/FILTER, 5/8 ID x 52"	0327026	1
7	90° ELBOW, 1/2 FL x 5/8 O-RING	0317008	2	17	HOSE, TANK/PUMP, 3/8 ID x 39"	0327313	1
8	90° ELB.LONG, 1/2 FL x 5/8 O-RING	0317250	2	18	HOSE, L-MOT/PUMP, 1/2 ID x 31"	0327028	1
9	90° ELBOW, 1/2 FL x 3/4 O-RING	0317079	1	19	HOSE, FILTER/PUMP, 1/2 ID x 16"	0327298	1
10	SWIVEL ELBOW, 1/2 FL x 1/2 NUT	0317028	1	20	HOSE, MOTOR/PUMP, 1/2 ID x 36"	0327024	1
				21	HOSE, MOTOR/MOT, 1/2 ID x 32.5"	0327025	1



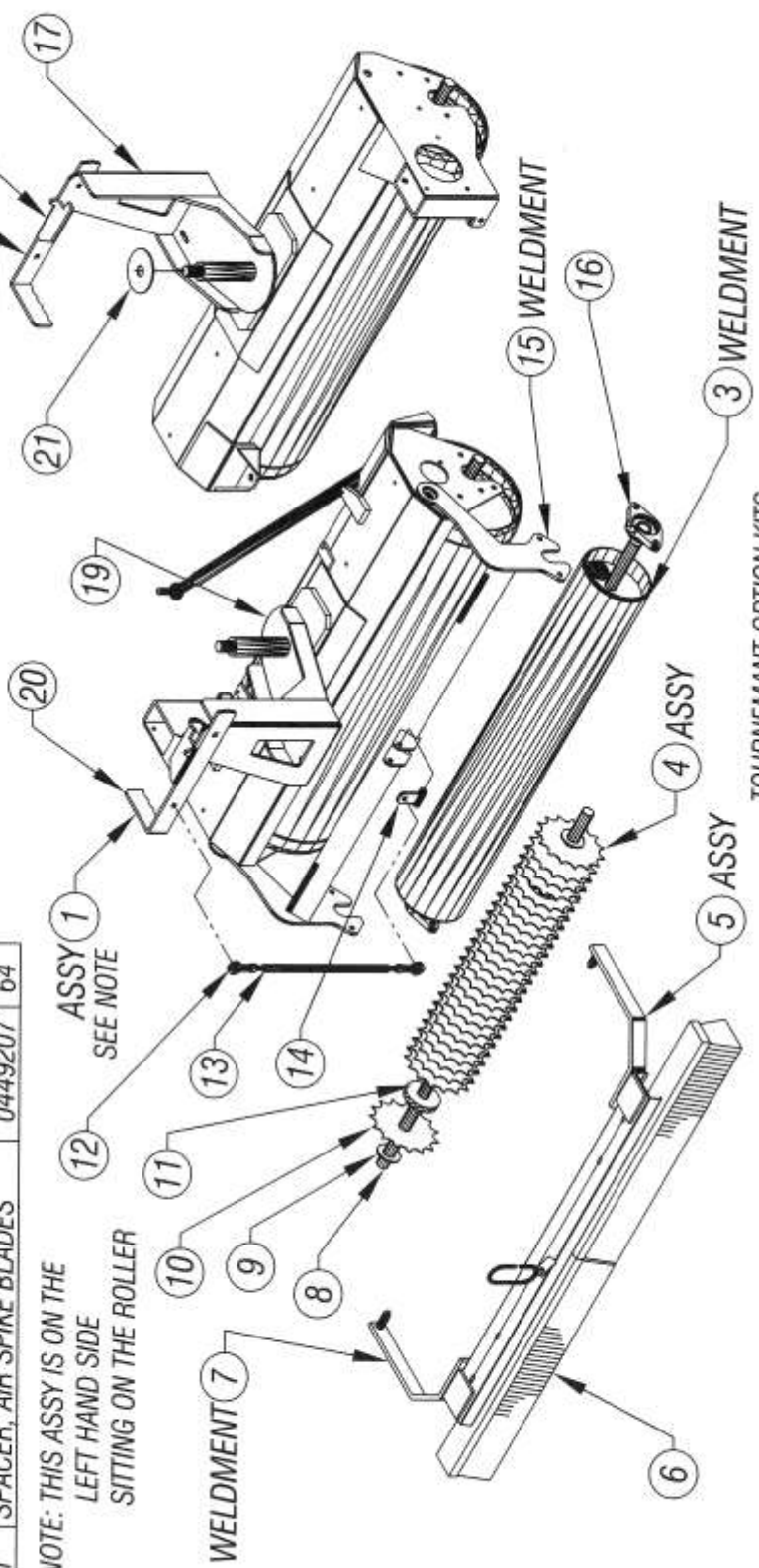
HYDRAULIC COMPONENTS, FITTINGS & HOSES
GAS GREENS ROLLER - DWG #9

REV	DESCRIPTION	DATE

ISSUED: 09-16-2009
 RE-ISSUED: 08-16-2010

ITEM	DESCRIPTION	PART NO	QTY	ITEM	DESCRIPTION	PART NO	QTY
1	KIT- ATTACHMENT FRAME, LEFT	0161223	1	12	BEARING, ROD END	0303019	2
2	KIT- ATTACHMENT FRAME, RIGHT	0161235	1	13	ROD, ARM LIFTING	0245158	1
3	SHAFT, TOURNAMENT ROLL	0248229	1	14	BRKT, LIFTING ARM SWIVEL	0206783	1
4	AIR SPIKE ASSEMBLY	0161225	1	15	ARM, TOUNAMT ROLL & SPIKE	0265102	2
5	BRUSH ASSEMBLY	0161041	1	16	BEARING, 2-BOLT FLANGE	0303006	2
6	BRUSHES	0336060	2	17	BRKT, TRMT ROLL&SPIKE- RIGHT	0206789	1
7	FRAME, BRUSH KIT	0228067	1	18	LEVER, RIGHT	0433179	1
8	SHAFT, C.R.S. ROD-1"DIAX39"LG	0448226	1	19	BRKT, TRMT ROLL&SPIKE- LEFT	0206791	1
9	WASHER, FLAT USS - 1" ID	0353150	2	20	LEVER, LEFT	0433176	1
10	BLADE, AIR SPIKE	0405113	32	21	SPACER, ROLL HOUSING-UPPER	0449208	2
11	SPACER, AIR SPIKE BLADES	0449207	64				

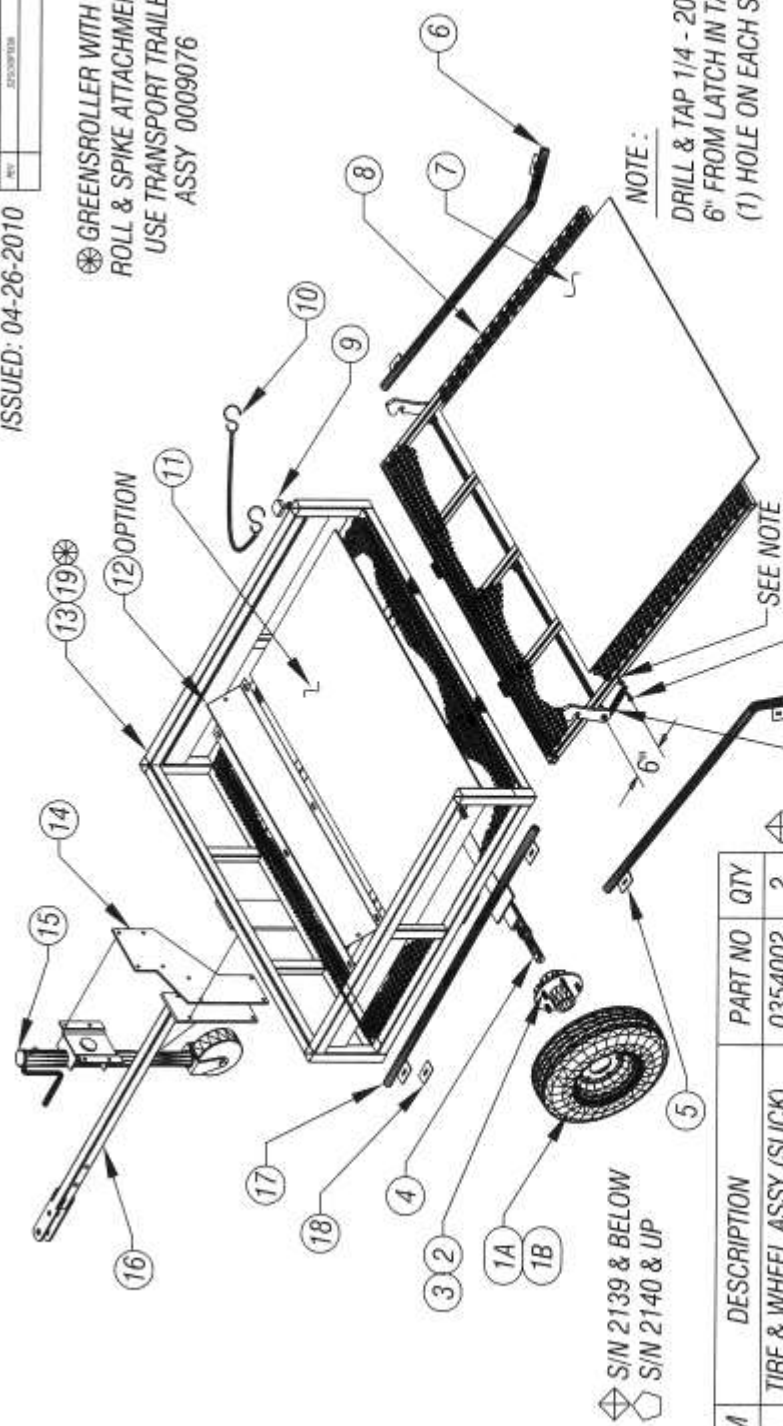
NOTE: THIS ASSY IS ON THE LEFT HAND SIDE SITTING ON THE ROLLER



TOURNAMENT OPTION KITS
 GAS GREENS ROLLER - DWG #10

ISSUED: 04-26-2010

⊗ GREENROLLER WITH ROLL & SPIKE ATTACHMENTS, USE TRANSPORT TRAILER ASSY 0009076

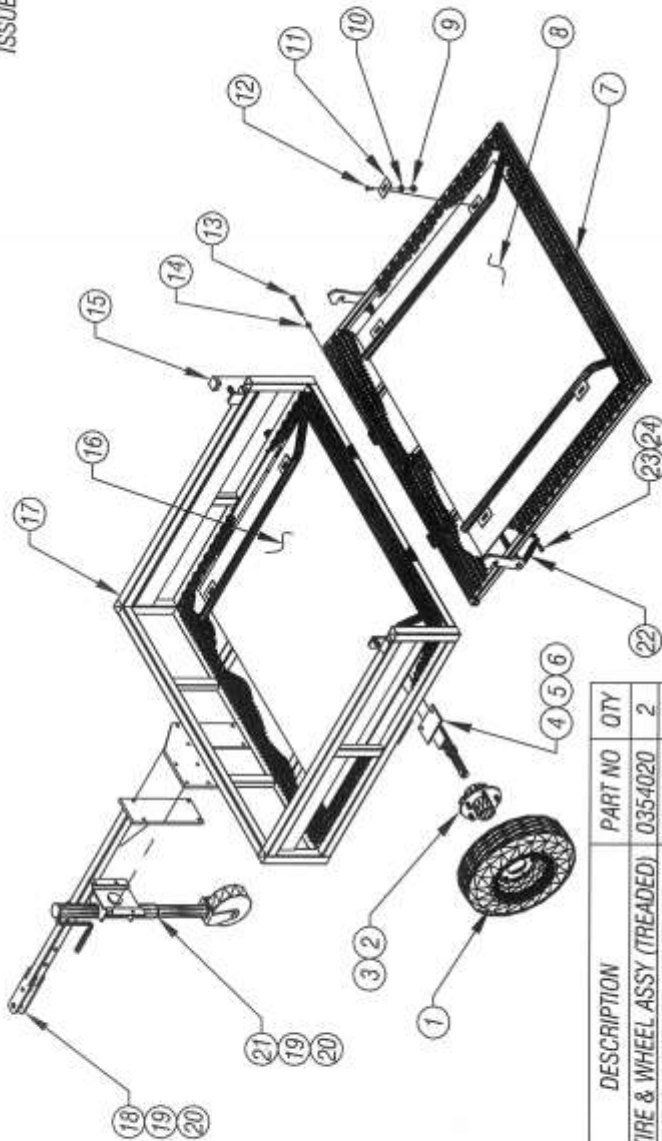


12	STOP, ROLLER MOVEMENT	0482066	1
13	TRAILER FRAME	0219372	1
14	PLATE, JACK MOUNTING	0462410	1
15	JACK, SWIVEL- WITH CASTER	0369047	1
16	TONGUE	0225011	1
17	GUIDE, TRAILER ROLL	0222171	2
18	CLAMP PLATE	0462585	8
19	TRAILER FRAME	0219447	1
20	SPRING, EXTENSION	0350009	2
21	BOLT, HEX HD (1/4-20x1 1/4 LG)	0346072	2
22	JAM NUT (1/4 - 20)	0338039	2

TRANSPORT TRAILER ASSY
0009014
AND
TRANSPORT TRAILER ASSY
0009076 ⊗
GAS GREENS ROLLER
DWG #11

ITEM	DESCRIPTION	PART NO	QTY
1A	TIRE & WHEEL ASSY (SLICK)	0354002	2
1B	TIRE & WHEEL ASSY (TREADED)	0354020	2
2	HUB ASSEMBLY	0329002	2
3	LUG NUT	0338306	10
4	AXLE	0202074	1
5	GUIDE, TAILGATE ROLL - LEFT	0222172	1
6	GUIDE, TAILGATE ROLL - RIGHT	0222173	1
7	RUBBER MAT, (TAILGATE)	0356043	1
8	TAILGATE	0219371	1
9	CAP (PLASTIC)	0371001	4
10	BUNGEE CORD	0308013	1
11	RUBBER MAT, (BOX)	0356041	1

ISSUED: 05-09-2012

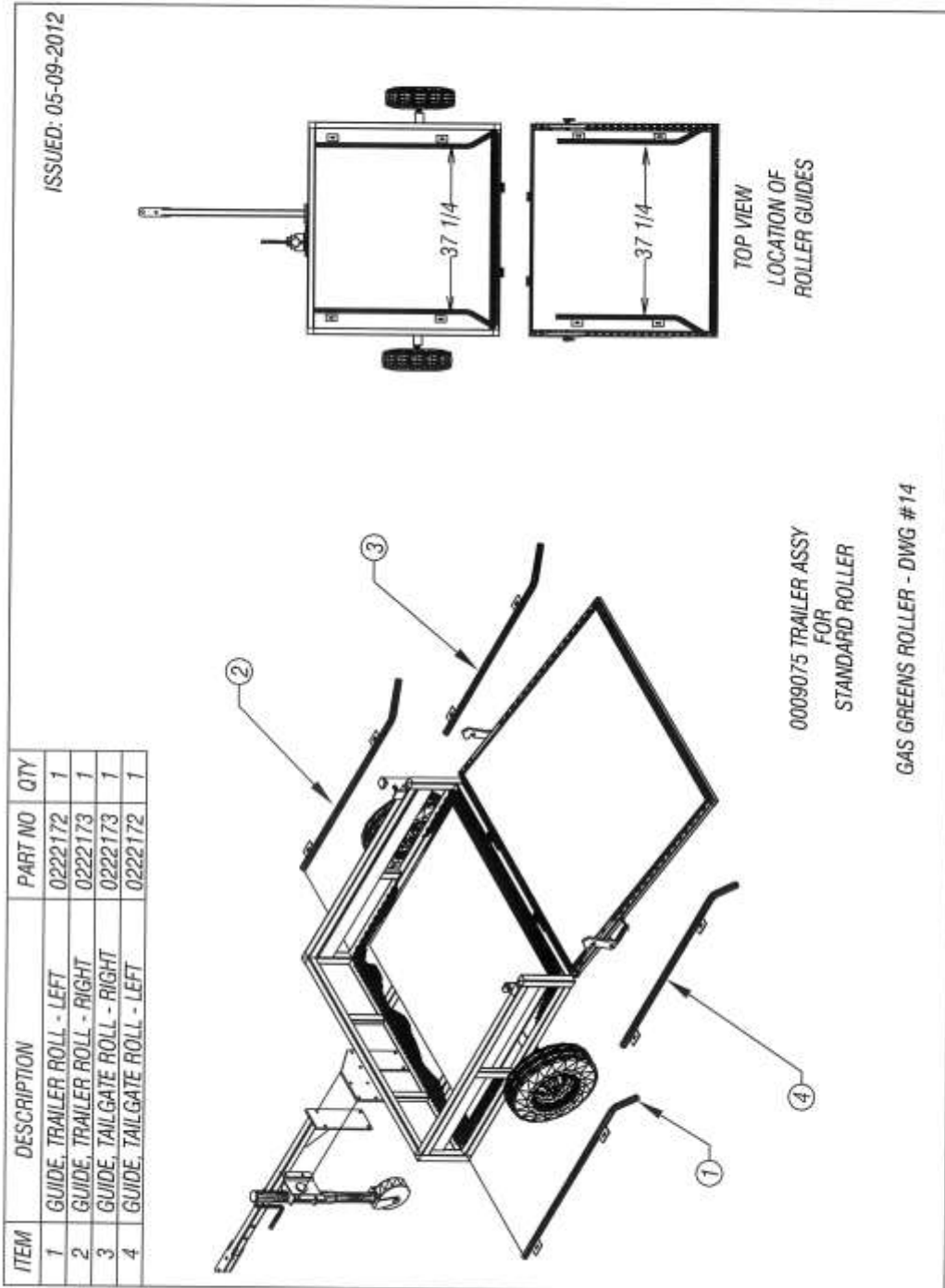


ITEM	DESCRIPTION	PART NO	QTY
1	TIRE & WHEEL ASSY (TREADED)	0354020	2
2	HUB 5-4.5 IDLER 1/2 STUDS	0329100	2
3	5 LUG KIT & NUTS	0303068	2
4	AXLE	0202110	1
5	HEX HEAD SCREW	0346204	12
6	LOCK NUT	0338102	12
7	TAIL GATE	0219492	1
8	RUBBER MAT. (TAILGATE)	0356043	1
9	LOCK NUT, (NYLON INSERT)	0338101	12
10	FLAT WASHER	0353101	12
11	PLATE, HOLD DOWN GUIDES	0462585	10
12	CARRIAGE BOLT	0346130	12
13	HEX SCREW	0346217	2

14	HEX NUT	0338012	2
15	CAP (PLASTIC)	0371001	4
16	RUBBER MAT. (TRAILER)	0356041	1
17	TRAILER FRAME	0219491	1
18	TONGUE	0225011	1
19	HEX HEAD SCREW	0346204	8
20	LOCK NUT, (NYLON INSERT)	0338102	8
21	JACK, SWIVEL- WITH CASTER	0369047	1
22	SPRING, EXTENSION	0350009	2
23	BOLT, HEX HD -1/4 -20x1 1/4 LG	0346072	2
24	JAM NUT - 1/4 - 20	0338039	2

0009075 TRAILER ASSY
FOR
GAS GREENS ROLLER

GAS GREENS ROLLER
DWG #13



SALSCO, INC.
HYDRAULIC MOTORS AND SEAL KITS FOR GREENS ROLLERS

**IT IS IMPERATIVE THAT YOU KNOW WHAT BRAND OF MOTOR YOU HAVE
WHEN ORDERING SEAL KITS**

<u>SALSCO P/N</u>	<u>DESCRIPTION</u>	<u>SEAL KIT P/N</u>
0330022-N (OBSOLETE)	CHARLYNN OR EATON	0330038-N
0330022-N (OBSOLETE)	RR-TCI-M&S, MLHP 125C5B	0330096-N
0330022-N (OBSOLETE)	SAUER DANFOSS 151-2084	0330138-N
0330139-N (CURRENT)	SAUER DANFOSS 151-2004	0330138-N

**(This motor is factory installed on all Salsco Gas Greens Rollers beginning with serial
number 04032200090101589 JOB #1391)**

*****Include fittings P/N 0317008-N & 0317250-N when replacing
obsolete motors as listed above*****

SALSCO, INC.
HYDRAULIC PUMPS FOR GREENS ROLLERS

**WHEN ORDERING HYDRAULIC PUMP P/N 0330146-N, TO REPLACE OLDER PUMPS, YOU
MUST ALSO ORDER FITTING P/N 0317064-N AND HOSE 0327313-N.**

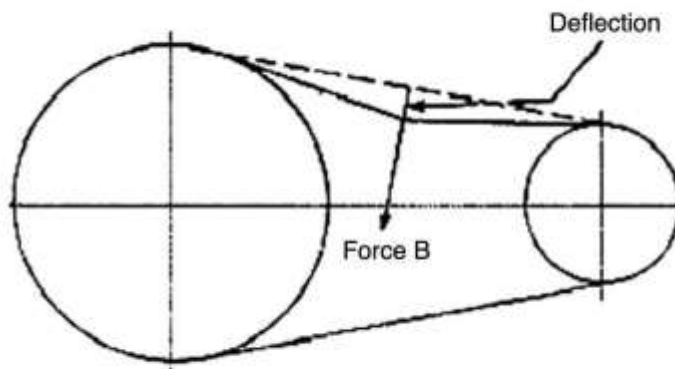
**(This pump is factory installed on all Salsco Gas Greens Rollers beginning with serial
number 04032200090101589 JOB #1391)**

Below is a quick reference chart for various "Flat Head Cap Screws" and the torque recommendations.

VALUES ARE STATED IN FOOT POUNDS

BOLT SIZE	Thds Per Inch	SAE Grade 5	SAE Grade 8
1/4	20	10	14
	28	---	---
5/16	18	19	29
	24	---	---
3/8	16	33	47
	24	---	---
7/16	14	54	78
	20	---	---
1/2	13	78	119
	20	---	---
9/16	12	114	169
	18	---	---
5/8	11	154	230
	11	---	---
3/4	10	257	380
	10	---	---
7/8	9	382	600
	9	---	---
1	8	587	700
	8	---	---

Drive Belt Tension Measurement by Deflection



Deflection should be 3/8" when 8-12 lbs. push is applied at "B"

WARRANTY POLICY

Please remember to complete and return your Warranty Card and Dealer Delivery Report. Warranty Claims will not be considered if the Warranty Card and Dealer Delivery Report have not been returned to Salsco.

Your Salsco Commercial or Turf Equipment product is a commercial type product and is normally manufactured and sold for commercial or industrial use. **Salsco will, for the original purchaser, for (5) years from the date of purchase (90 days if used for rental purposes) repair or replace, free of charge, any part or parts found to be defective in material, workmanship or both.** Any transportation or shipping charges will be borne by the purchaser. If, during the warranty period stated above, the product does not function properly due to defect, simply contact Salsco and follow the Warranty Procedures included in this manual.

This warranty **does not** include:

- Incidental or consequential damages and is exclusive of any implied warranties.
- Normal maintenance parts, including, but not limited to hoses, chains, belts, filters, lubricants, etc.
- Parts or components, which are covered under the original manufacturer warranty, including, but not limited to engines, pumps, and motors.

WARRANTY PROCEDURE

In order for Salsco to consider your warranty claims in a timely manner you must follow the simple procedures listed below:

MACHINE OR PART FAILURE

- Call our service department for helpful instruction on how to correct or repair the problem. Preventive maintenance will also be suggested.
- When ordering parts for Warranty issues, you **MUST** retain possession of the old parts in question until notified with respect to returning the parts to Salsco or other disposition.
- Warranty Claims **MUST** be filed within 30-days from completion of the work performed. Contact our office for an electronic warranty claim form.
- Fill in all information requested on warranty claim form, a copy of which is included in this manual, (date of purchase, company name, address, etc.). List all parts used. Make sure part numbers are correct. You can obtain these from your manual. (include good description of problem; i.e. "leaking from spool" rather than "leaking").
- It is our goal to consider and reach a disposition on each Warranty Claim within 30-days from the date that it is received. Therefore it is important that you respond promptly to any request for further information. Claims with no response to inquiries will be closed as "**denied for lack of response**" 90-days from the date of request.
- Email, Fax or Send Warranty Claim form to our Warranty Department. – **Warranty on parts most often requires return of the parts that were replaced. DO NOT DISCARD OLD PARTS UNTIL YOU HAVE RECEIVED A DETERMINATION AS TO WHETHER THESE PARTS MUST BE RETURNED.**
- Our Warranty Department will contact and instruct you on how to return the Parts to Salsco on an RA #. Returns **MUST** be made within 30-Days from issuance of RA #. **FREIGHT CHARGES ON RETURN OF PARTS IS THE RESPONSIBILITY OF THE CUSTOMER.** Normal pre-delivery adjustments are not covered under warranty. Labor Warranties are based on reasonable time allowances as determined by Salsco, Inc. and paid at 75% of posted labor rate. **TRAVEL TIME IS NOT REIMBURSED UNDER THE WARRANTY POLICY.**
- Be sure to put the RA form inside the box that you are shipping back, also be sure to put on the outside of the box "Return of Goods" and the RA #.
- Ship returns via a traceable method such as UPS Ground Service. Be sure that the shipment is insured for the appropriate value. If uninsured parts are lost, we cannot issue a credit.

PLEASE NOTE: ***Warranty forms should be filled out completely.***

PREVENTIVE MAINTENANCE IS YOUR BEST INSURANCE AGAINST EQUIPMENT FAILURE. BE SURE TO READ THIS MANUAL, ESPECIALLY THE MAINTENANCE, OPERATING AND CAUTION SECTIONS.

**SALSCO, INC., 105 School House Rd.
Cheshire, CT 06410
800-872-5726, 203-271-1682
203-271-2596 (Fax) sales@salsco.com, www.salsco.com**

WARRANTY CLAIM FORM

SALSCO, INC.
105 School House Rd.
Cheshire, CT 06410

Phone:(203) 271-1682,(800) 872-5726
Fax: (203) 271-2596
Email: s.clark@salsco.com
Website: www.salsco.com

END OWNER

Date Submitted:

Name:	Phone:	Work Order #:
Email:	Fax:	Office Use Only
Address:		Date Rec'd
		Cust ID:
		Salsco WC
		Salsco RA

PURCHASED FROM

Name:	Phone:	Date Approved:
Email:	Fax:	Date Rejected:
Address:		Processed By:
		Dir. Del Report on File: YES NO
		Warranty Card on File: YES NO
		Part(s) Total:
		Labor Total:

Equipment/Warranty Information (Must be complete)

Purchase Date:	Invoice #	Date Failed:	Total Approved:
Model #:	Serial #:	Repair Date:	Approved/Rejected:
Hrs Used:	Primary Use:		Name:
Warranty Claim/Work Order#:			Reason for Rejection:
Was a Salsco Return Authorization # issued for repairs or			
Return of Parts? YES NO			Suggested Preventative Maint:
Probable Cause of Failure:			

Work Performed/Comments on Repair:

Shop Labor Rate:					Submitted By:		
Total Labor Hours to Repair:					Printed Name:		
Parts Required for repair							
Salsco Part #: Description:				Qty.	Price Each	Total	Inv #
						\$	
						\$	
						\$	
						\$	

Fill in all information requested on warranty claim form.
INCOMPLETE FORMS CANNOT BE PROCESSED & WILL BE RETURNED
List all parts used. Make sure part numbers are correct. Any parts that you believe to be defective or any parts that break should be retained for possible inspection until after the warranty has been paid or part has been replaced.

Salsco, Inc.

105 School House Rd.
Cheshire, CT 06410
203-271-1682

sales@salsco.com
www.salsco.com

800-872-5726
203-271-2596 (Fax)

DEALER DELIVERY REPORT

MODEL		SERIAL NO				
DEALER		CITY		STATE	ZIP	
PURCHASER (Last Name or Company)	(First Name)	(Middle Name)	ADDRESS	CITY	STATE	ZIP

The undersigned dealer warrants that the above-described machine was carefully inspected, adjusted and prepared for delivery before delivery to the purchaser; that both the operation and maintenance of the machine were explained to the purchaser; and that a copy of the Owner's Instruction Manual were given to the purchaser and his attention called to Our Warranty and any operating instructions included in the manual and caution notes.

The undersigned purchaser certifies that the operation and maintenance of the above-described machine have been explained to him; acknowledges receipt of a copy of the Owners's Instruction Manual and Our Warranty Policy printed in said Instruction Manual and Caution Notes. I also understand that it is my responsibility to explain and make Salsco manuals available to new operators.

Date _____ Dealer _____

Sign By _____

Phone _____

Date _____ Purchaser _____

Sign By _____

Phone _____

Email _____

FACTORY COPY WHITE - DEALER'S COPY YELLOW - OWNER'S COPY PINK

SERIAL # _____

MODEL NO. _____

SALSCO LIMITED WARRANTY CARD

1. DATE PURCHASED: _____
2. PURCHASER: _____
3. PURCHASER ADDRESS: _____

4. EMAIL ADDRESS: _____
5. DEALER: _____
6. DEALER ADDRESS: _____
7. WILL THIS EQUIPMENT BE USED COMMERCIALY? YES NO
8. DID DEALER SERVICE THIS EQUIPMENT AND INSTRUCT YOU IN ITS CARE AND SAFE OPERATION ? YES NO
9. DID YOU RECEIVE AN "OPERATION & SERVICE MANUAL" AND SAFETY PAMPHLET? YES NO

NOTICE

SIGNED _____ Purchaser

IMPORTANT: THIS CARD MUST BE FILLED OUT COMPLETELY AND MAILED TO THE FACTORY WITHIN 10 DAYS OF PURCHASE DATE, OR YOUR LIMITED WARRANTY WILL BE VOIDED.

WHITE - DEALER

YELLOW - OWNER

CARD - FACTORY

SERVICE RECORD

If kept properly, this schedule will help track problems in the future.

Date	Qty.	Part #	Description of Work Done	Hours Used	Total Hours to Date

MODEL # _____ S/N _____

DATE PURCHASED: _____