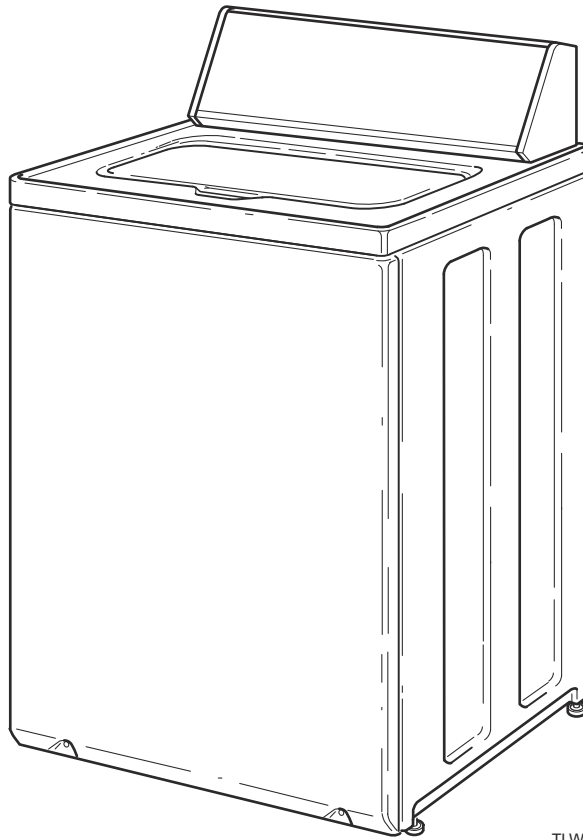


Home Topload Washers

Refer to Page 3 for Model Numbers



TLW24C_204891

Parts

Alliance[™]
Laundry Systems

www.alliancelandry.com

Part No. 204891R3
August 2021

Table of Contents

Title	Page
Parts Ordering Information.....	2
Serial Plate Location	2
Model Identification	3
Graphic Panel, Control Support Panel and Controls	4
Lid Switch Assembly	6
Top, Lid and Hood Back Panel	8
Fill Hose, Mixing Valve-to-Tub Cover Hose, Mixing Valve and Bracket.....	10
Motor, Mounting Bracket, Belt, Pump and Idler Assembly.....	12
Agitator, Fabric Softener Dispenser, Drive Bell, Hub and Lip Seal Kit and Washtub.....	14
Outer Tub, Cover, Bearing and Seal Housing, Pressure Hose and Counterweight.....	16
Drain Hose and Siphon Break Kit	18
Weldment and Bearing Assembly, Brake and Pulley.....	20
Transmission Assembly	22
Front Panel, Base Assembly and Cabinet Kit.....	24
Mixing Valve and Motor Connection Blocks, Terminals and Extractor Tool.....	26
Lead-In Cord and Terminals	28
Terminals	30
Shipping Brace, Plug and Special Tools.....	32
Special Tools	34
Output Board, Wire Harnesses and Wires	36
Parts Index.....	39

© Copyright 2021, Alliance Laundry Systems LLC

All rights reserved. No part of the contents of this book may be reproduced or transmitted in any form or by any means without the expressed written consent of the publisher.

Parts Ordering Information

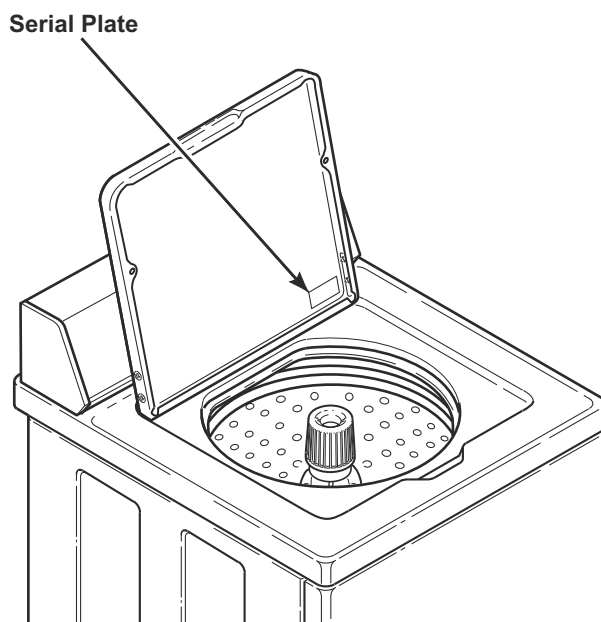
If literature or replacement parts are required, contact the source from whom the machine was purchased or contact Alliance Laundry Systems at (920) 748-3950 for the name and address of the nearest authorized parts distributor.

For technical assistance, call the number listed below:

(920) 748-3121 Ripon, Wisconsin

Serial Plate Location

When calling or writing about your product, be sure to mention model and serial numbers. Model and serial numbers are located on serial plate(s) as shown.



TLW1851P_204891

Model Identification

Information in this manual is applicable to these washer models:

AWN632SP116CW01

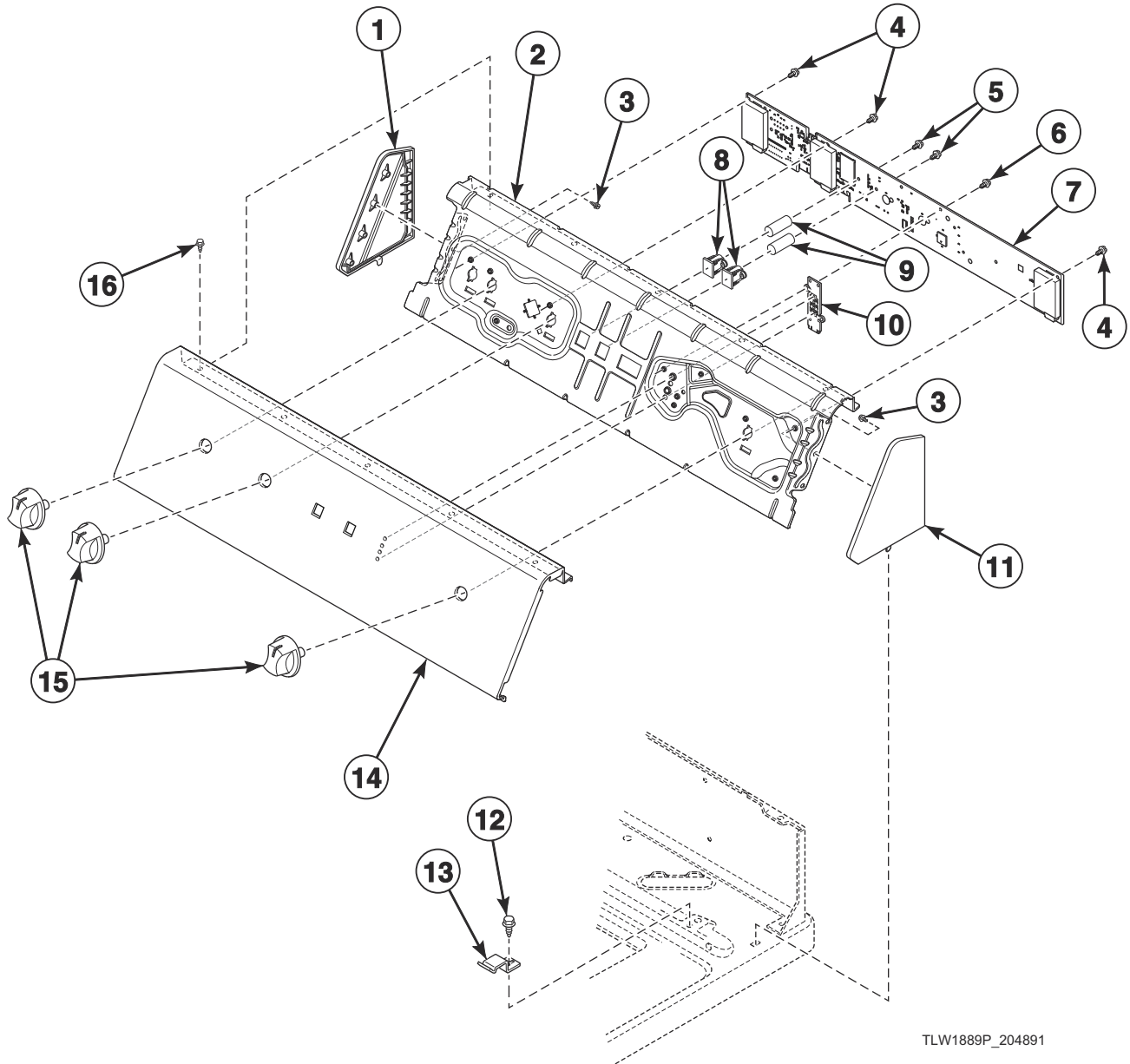
AWN632SP116TW01

AWN632SP116TW02

ZWN632SP116CW01

ZWN632SP116CW02

Graphic Panel, Control Support Panel and Controls

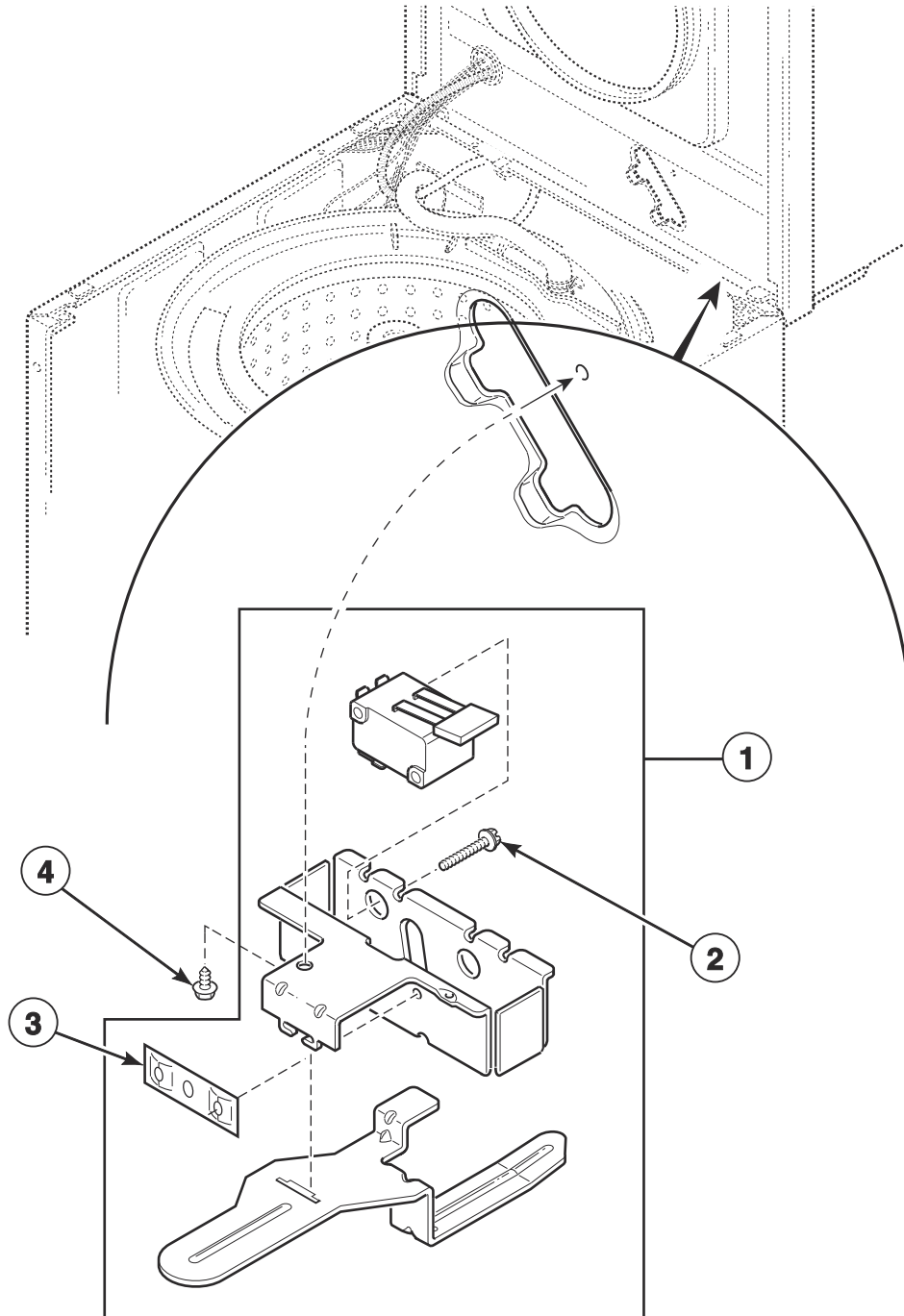


TLW1889P_204891

Graphic Panel, Control Support Panel and Controls

REF	PART NO.	DESCRIPTION	COMMENTS
1	203730W	End Cap	Left
2	203840	Control Support Panel	
3	203799	Screw	
4	204342	Screw	
5	800548	Screw	
6	204503	Screw	
7	204800P	Control Assembly	
8	204266	Capacitive Touch Switch	
9	204365	Foam	
10	204488	LED Display Assembly	
11	203729W	End Cap	Right
12	23962	Screw	
13	35358	Hold-Down Clip	
14	204802	Graphic Panel	Models AWN632SP116CW01, AWN632SP116TW01 and AWN632SP116TW02
	204911	Graphic Panel	Models ZWN632SP116CW01 and ZWN632SP116CW02
15	806597	Knob Assembly	
16	807075	Screw	

Lid Switch Assembly

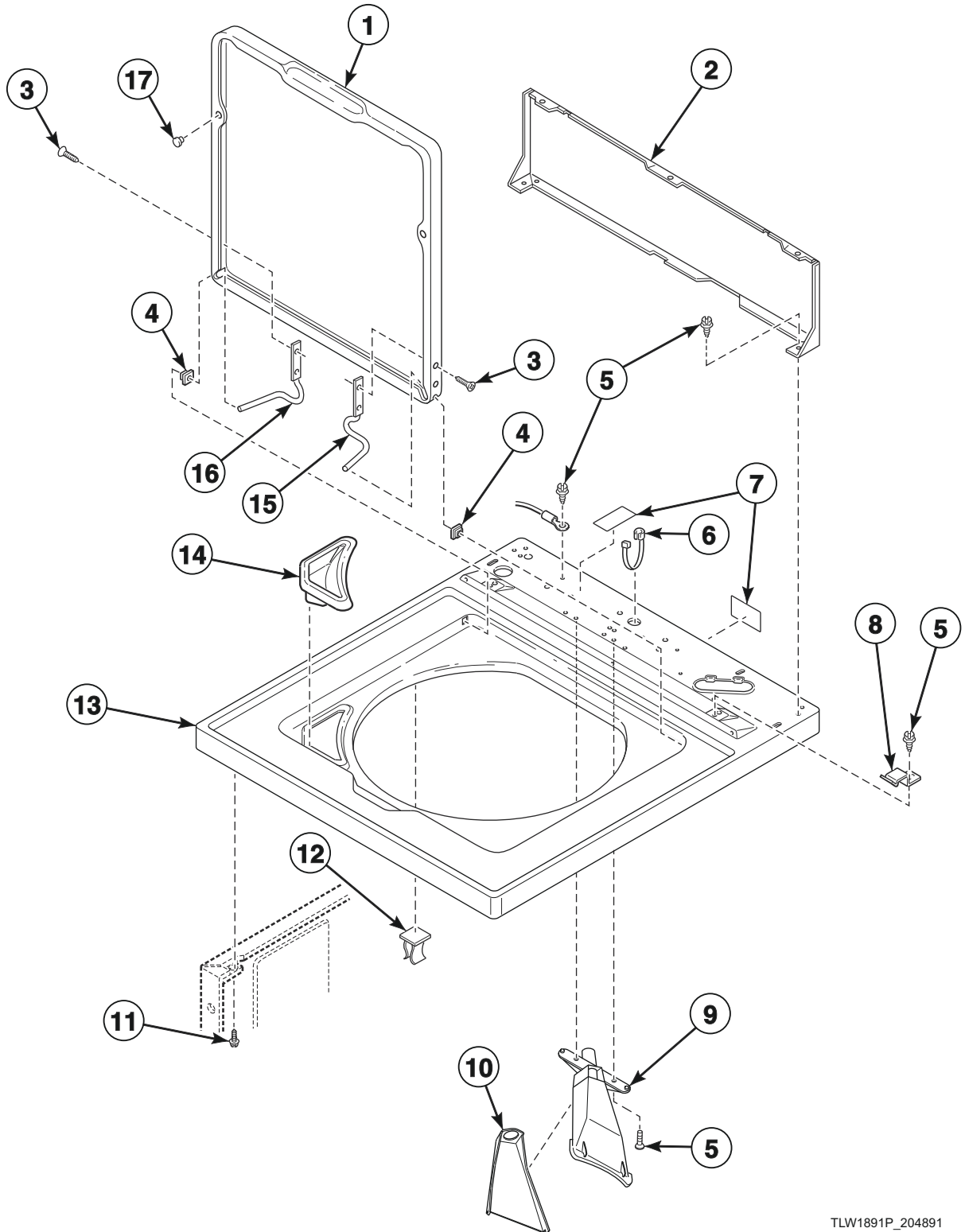


TLW1893P_204891

Lid Switch Assembly

REF	PART NO.	DESCRIPTION	COMMENTS
1	204791	Lid Switch Assembly	Includes 204551 Jumper Harness and 204523 Switch
2	204656	Screw	
3	M400979	Nut	
4	23962	Screw	

Top, Lid and Hood Back Panel

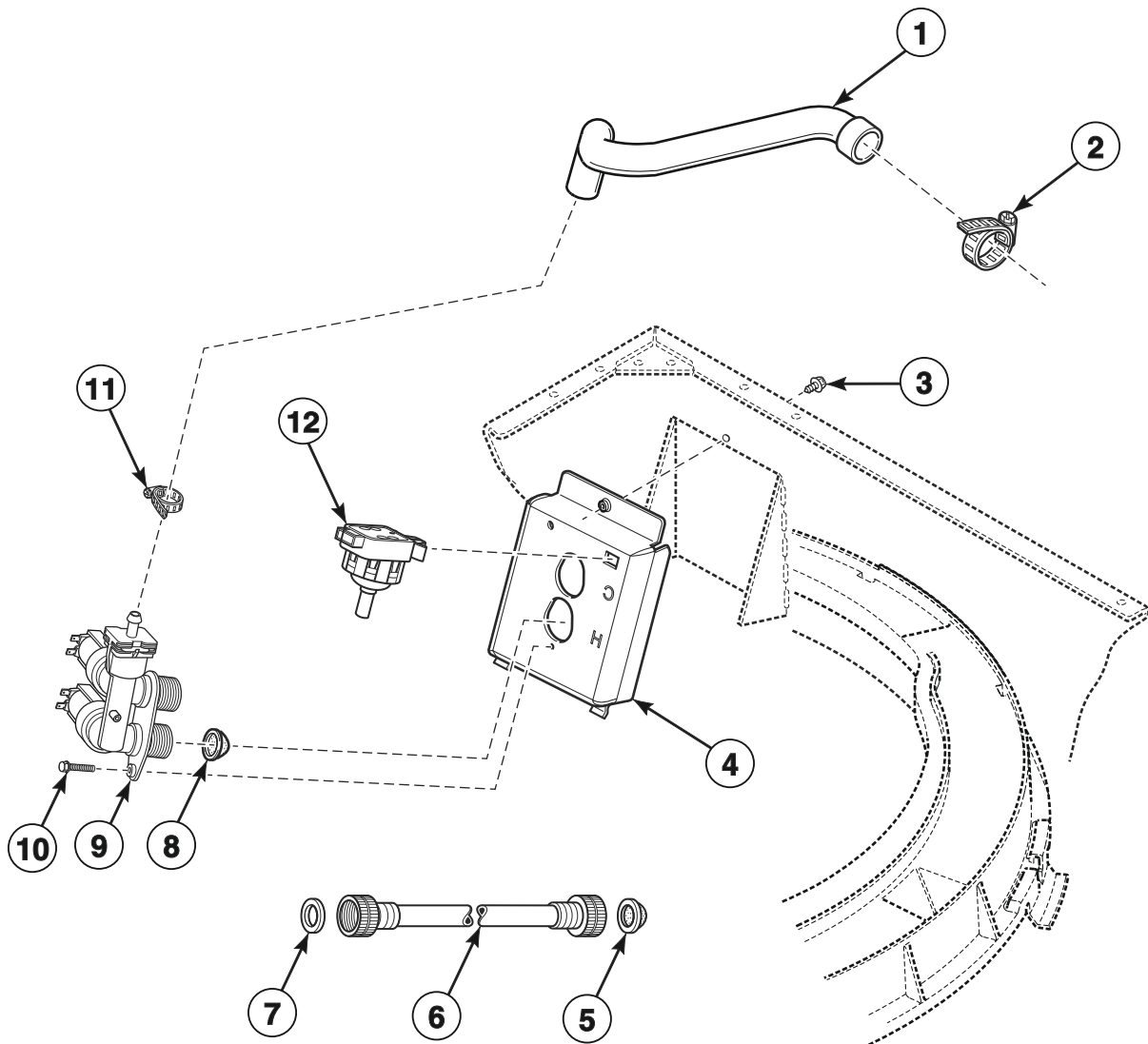


TLW1891P_204891

Top, Lid and Hood Back Panel

REF	PART NO.	DESCRIPTION	COMMENTS
1	37395WP	Lid	
	203045	Lid Warning Label	
2	203733	Hood Back Panel	
3	34337	Screw	
4	33446	Bushing	
5	23962	Screw	
6	38384	Strain Relief	
7	D505281	Disconnect Power Warning Label	
8	35358	Hold-Down Clip	
9	202900	Inlet Deflector	
10	202894	Inlet Cover	
11	33562	Screw	
12	36519	Hinge Stop Clip	
13	37992WP	Top	
14	38382	Bleach Dispenser	
15	36437	Lid Hinge	Right
16	36513	Lid Hinge	Left
17	21685	Bumper	

Fill Hose, Mixing Valve-to-Tub Cover Hose, Mixing Valve and Bracket

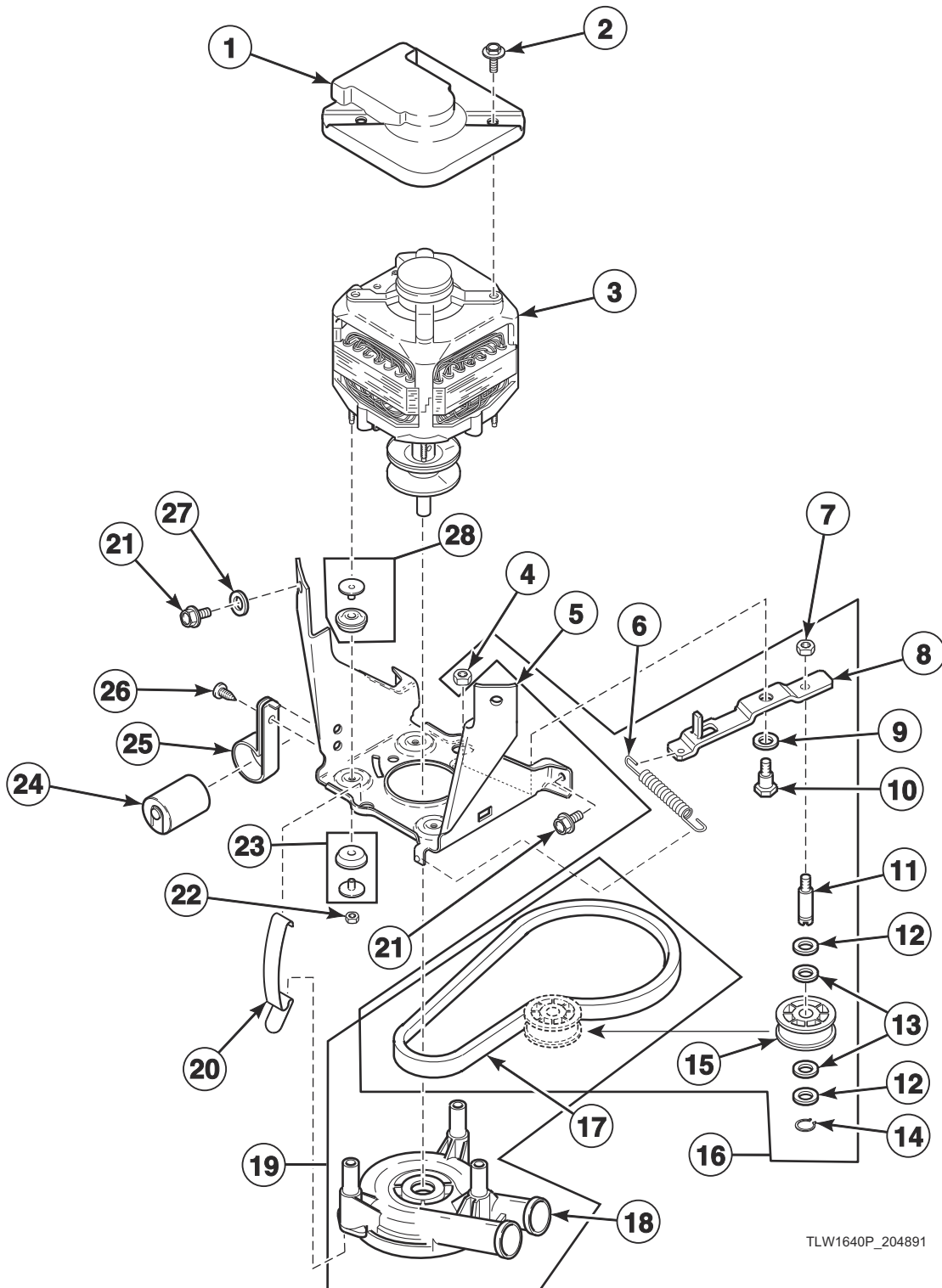


TLW1894P_204891

Fill Hose, Mixing Valve-to-Tub Cover Hose, Mixing Valve and Bracket

REF	PART NO.	DESCRIPTION	COMMENTS
1	204400	Valve to Inlet Hose	
2	800803	Hose Clamp	
3	33562	Screw	
4	203558	Mixing Valve Mounting Bracket	
5	803615	Washer	Filter screen
	802254	Washer	Flow restrictor; Water pressure reducer; Available for water pressure up to but not exceeding 120 psi
6	203720	Fill Hose	Marked for cold water; 4 feet; 2 GHT thread hose couplings
	203719	Fill Hose	Marked for hot water; 4 feet; 2 GHT thread hose couplings
7	20290	Washer	
8	24122	Mixing Valve Screen	
9	203741	Mixing Valve	
10	39397	Screw	
11	36801	Hose Clamp	
12	203843	Pressure Sensor	

Motor, Mounting Bracket, Belt, Pump and Idler Assembly

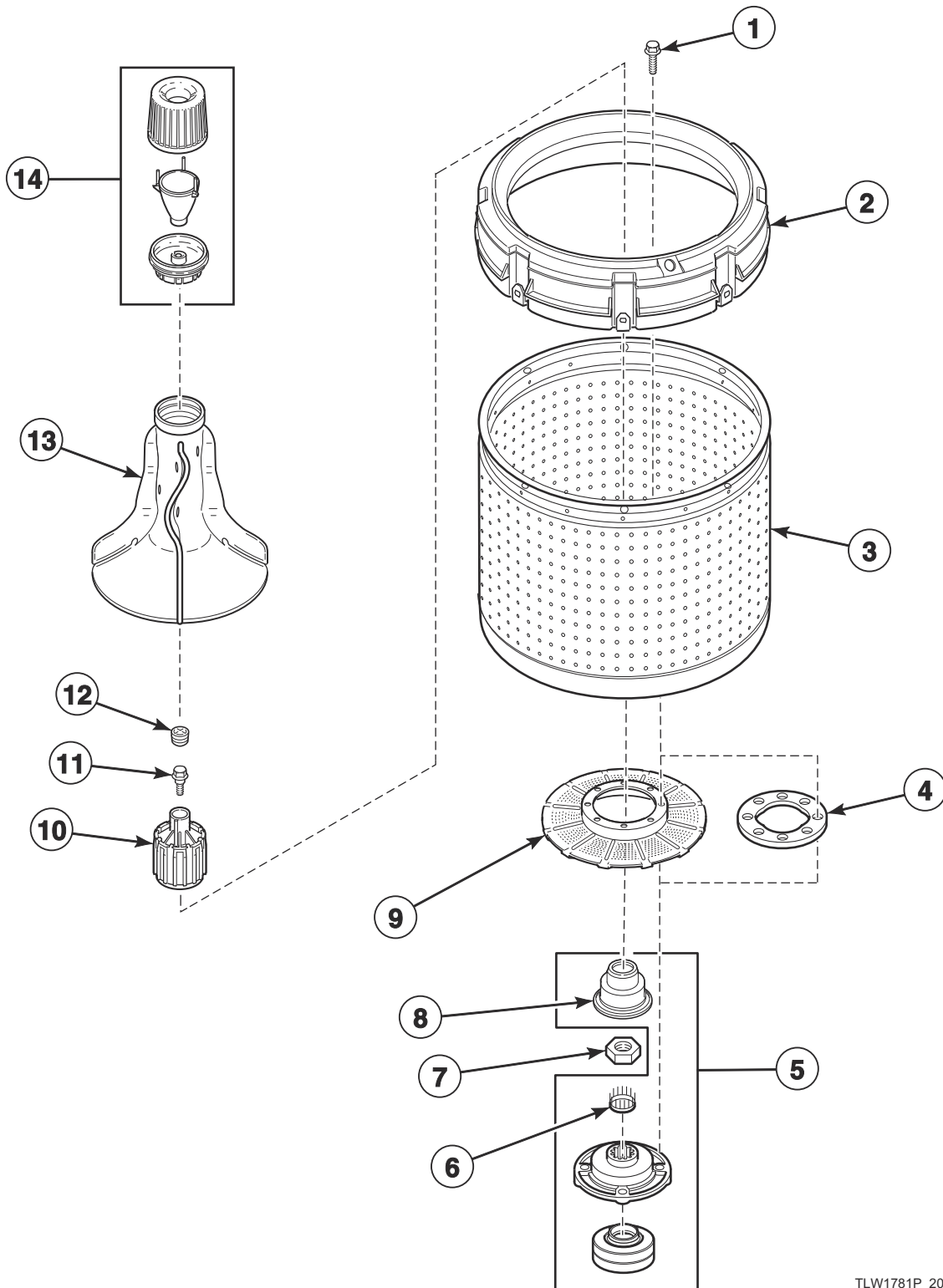


TLW1640P_204891

Motor, Mounting Bracket, Belt, Pump and Idler Assembly

REF	PART NO.	DESCRIPTION	COMMENTS
1	34754	Motor Shield	
2	31645	Screw	
3	38034P	Motor Kit	Includes item 25
4	52566	Nut	
5	200941	Motor Mount Bracket	
6	202032	Idler Lever Spring	
7	28803	Nut	
8	38011	Idler Lever	
9	81392	Washer	
10	27229	Screw	
11	210186	Idler Shaft	
12	D504082	Washer	
13	52549	Washer	Nylatron
14	23748	Retaining Ring	
15	38225P	Idler Pulley	
16	959P3	Idler Lever Kit	Includes items 4, 6, 7-15 and 17
17	38174	Agitate and Spin Belt	
18	205217P	Pump	
19	RB150003	Belt and Pump Kit	Includes items 17 and 18
20	210202	Spring Clip	
21	35369	Screw	
22	35423	Nut	
23	204062	Motor Mount and Isolator Assembly	
24	37377	Capacitor	
25	37535	Capacitor Clamp	
26	52909	Screw	
27	37772	Washer	
28	204063	Motor Mount and Isolator Assembly	

Agitator, Fabric Softener Dispenser, Drive Bell, Hub and Lip Seal Kit and Washtub

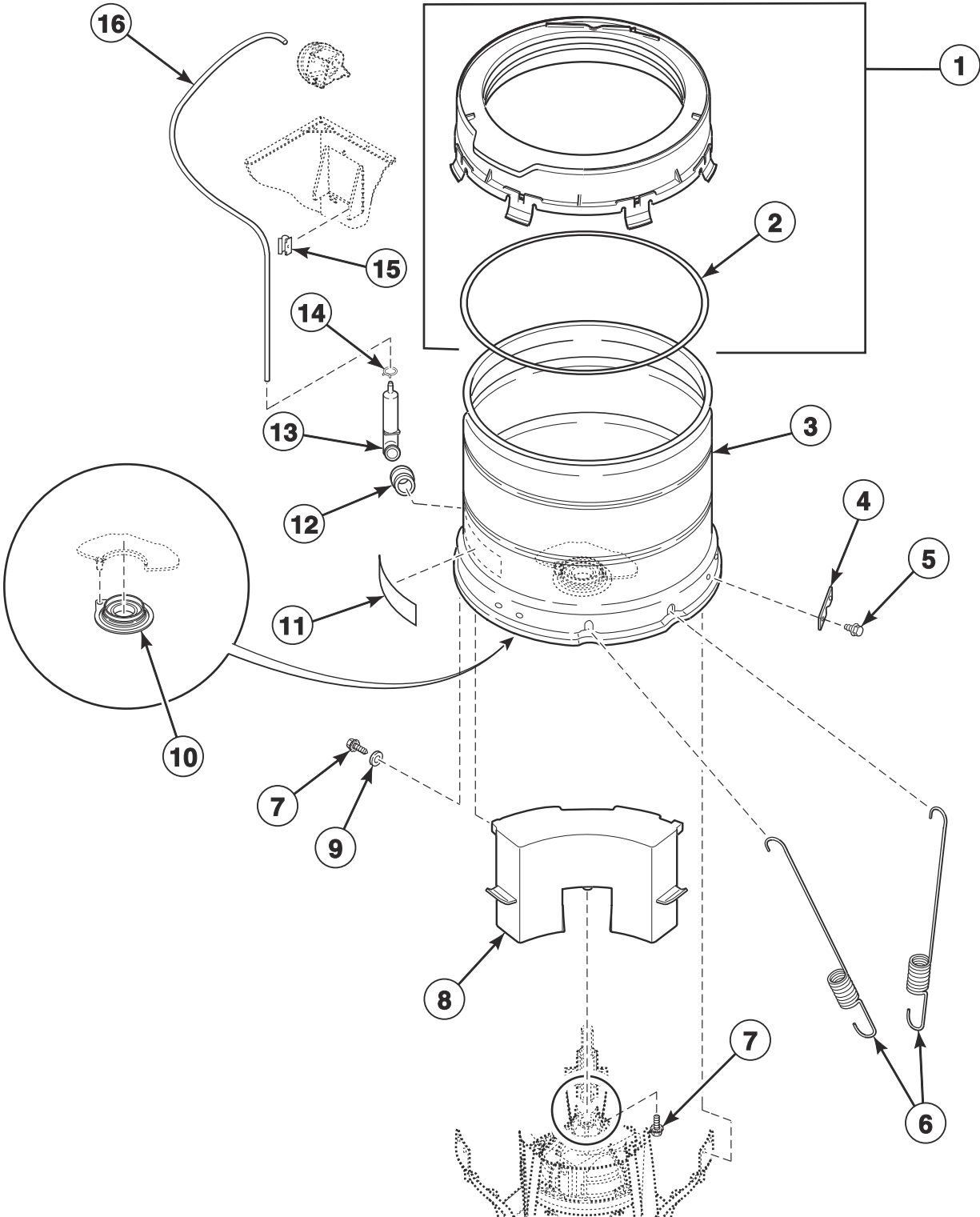


TLW1781P_204891

Agitator, Fabric Softener Dispenser, Drive Bell, Hub and Lip Seal Kit and Washtub

REF	PART NO.	DESCRIPTION	COMMENTS
1	27202	Screw	
2	39837	Balance Ring Assembly	
3	719P3	Washtub Kit	Stainless steel
4	39122	Washtub Gasket	
5	766P3A	Hub and Lip Seal Kit	DO NOT use any sealant other than 200996P Sealant; Includes item 10 and installation tool
	200996P	Sealant	Use with hub and lip seal kit
6	29728	Spline Insert	
7	29220	Nut	
8	36425	Bell and Transmission Tube Seal	
9	39371	Lint Filter	Optional in place of item 4
10	39508P	Drive Bell and Seal Kit	Includes items 8, 11 and 12
11	39432	Screw	
12	36511	Bell Plug	
13	36507	Flex Vane Agitator	
14	205225	Fabric Softener Dispenser Assembly	

Outer Tub, Cover, Bearing and Seal Housing, Pressure Hose and Counterweight

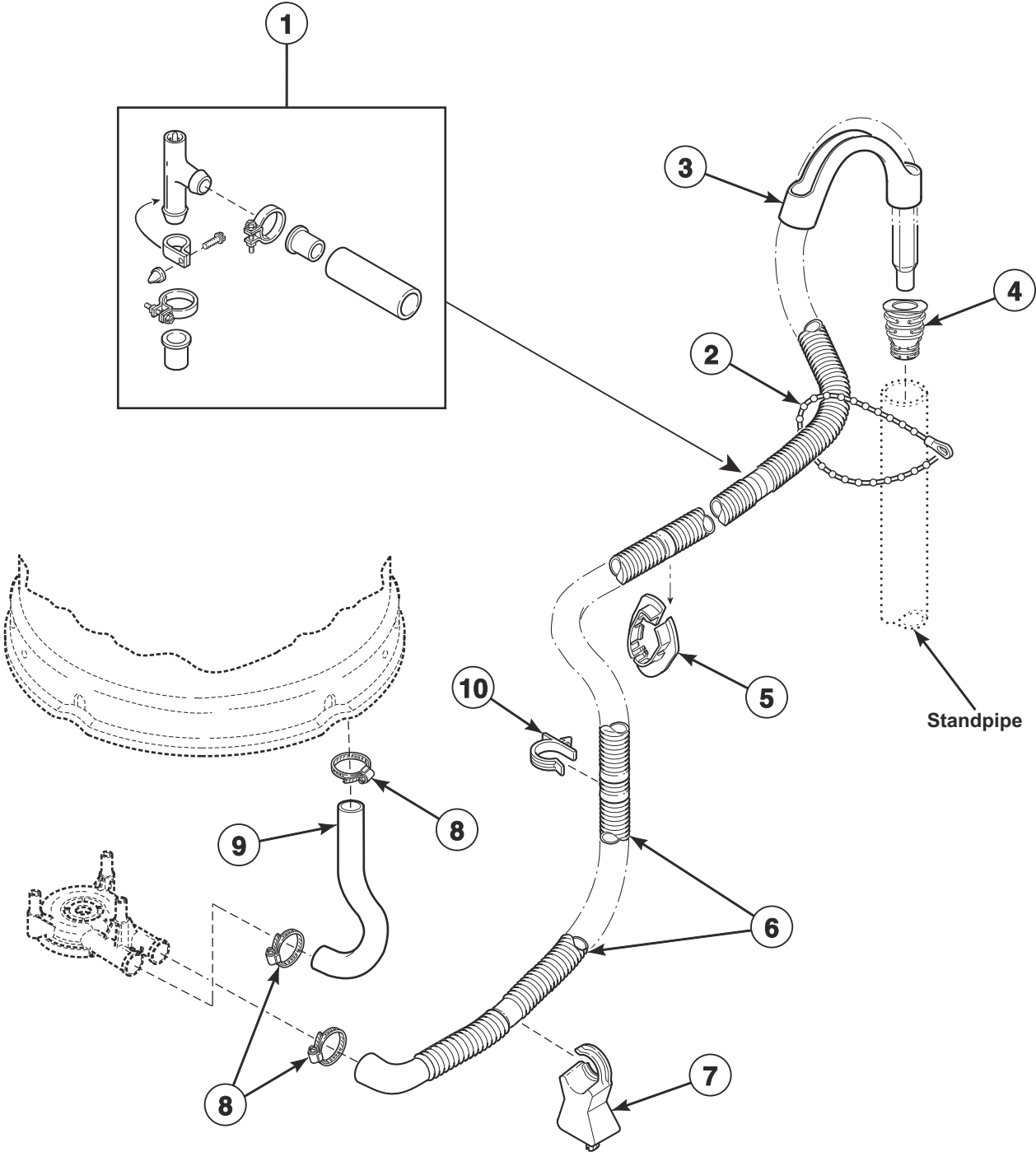


TLW1895P_204891

Outer Tub, Cover, Bearing and Seal Housing, Pressure Hose and Counterweight

REF	PART NO.	DESCRIPTION	COMMENTS
1	202888	Tub Cover Assembly	Includes item 2
2	38359	Tub Cover Gasket	
3	203603P	Outer Tub Assembly	
	204383	Outer Tub Kit	Includes item 10 installed
	204568	Outer Tub and Transmission Kit	Includes item 10 installed and transmission
4	27926	Leg Plate	
5	35369	Screw	
6	37575	Leg Spring	
7	39566	Screw	
8	38769	Counterweight Assembly	
9	39249	Washer	
10	766P3A	Hub and Lip Seal Kit	
	200996P	Sealant	Use with hub and lip seal kit
11	D500049	Warning Label	
	D500314	Warning Label	English/French
12	29175	Grommet	
13	205241	Pressure Bulb	
14	39282	Hose Clamp	
15	36985	Hose Clip	
16	203802	Tubing	

Drain Hose and Siphon Break Kit

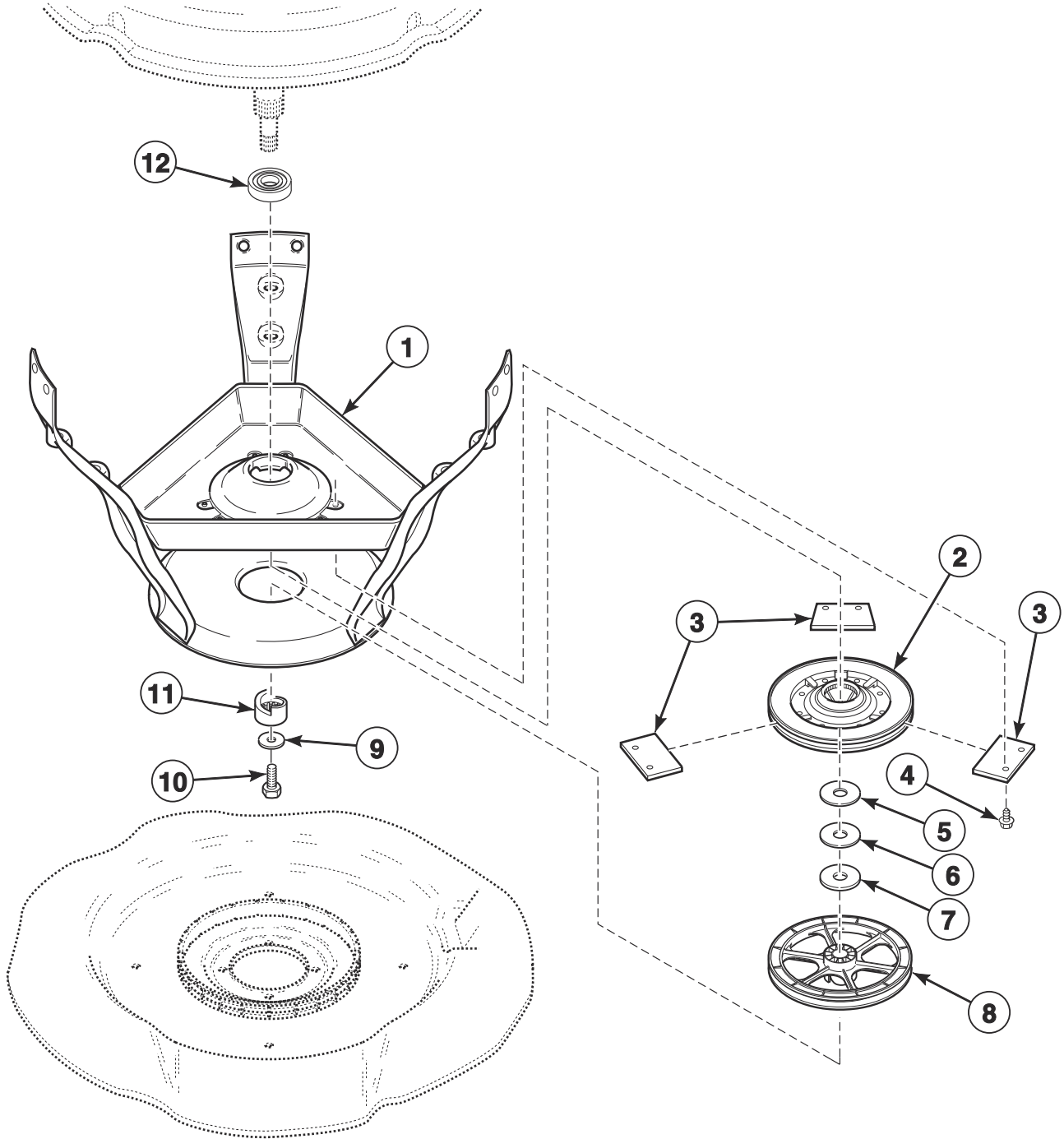


W329P_204891

Drain Hose and Siphon Break Kit

REF	PART NO.	DESCRIPTION	COMMENTS
	451P3	Drain Extension Kit	
1	562P3	Siphon Break Kit	Siphon break kit MUST be installed in drain hose if drain receptacle is lower than cabinet top of washer; Optional
2	33489	Standpipe Strap	
3	33615	Drain Hose Sleeve	
4	36878	Standpipe Adapter	
5	32219	Strain Relief	
6	39893	Drain Hose	
7	38732	Hose Stand	
8	F200204	Hose Clamp	
9	38351	Tub-to-Pump Hose	
10	36014	Retainer Clip	

Weldment and Bearing Assembly, Brake and Pulley

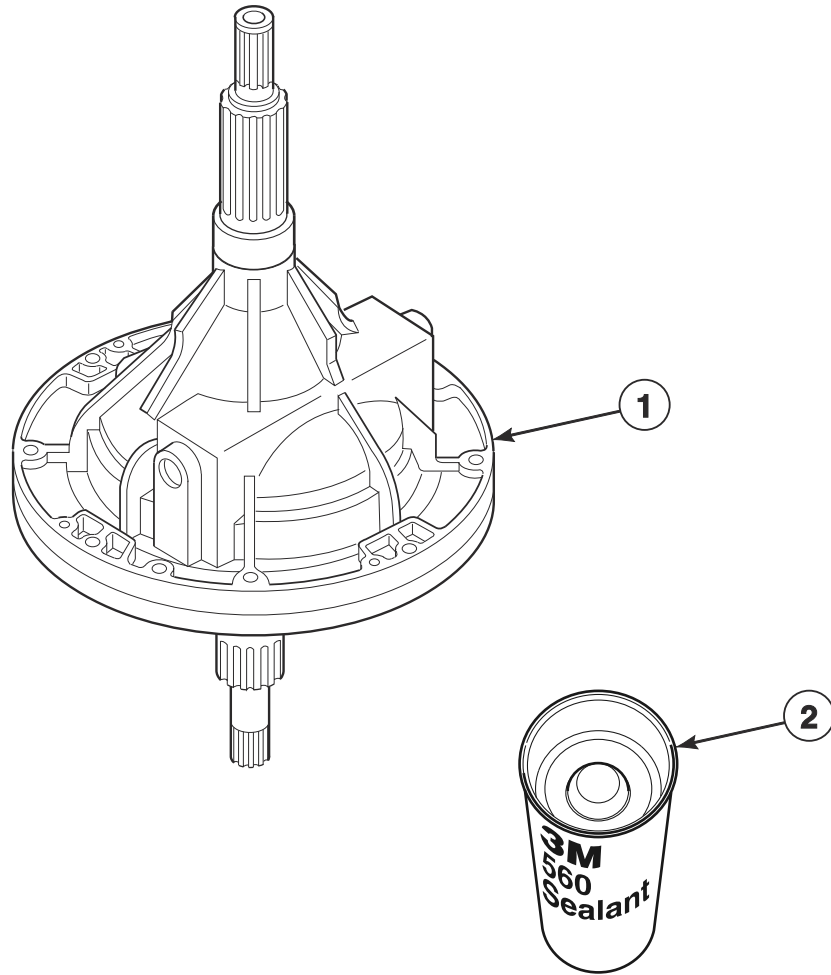


TLW1841P_204891

Weldment and Bearing Assembly, Brake and Pulley

REF	PART NO.	DESCRIPTION	COMMENTS
1	39253	Weldment and Bearing Assembly	
2	38505P	Brake Kit	
3	735P3	Brake Pad Kit	Includes 3 pads
	204253	Silicone Grease	Apply small amount to each new brake pad
4	39739	Screw	
5	35535	Washer	Thin
6	27015	Washer	Thick
7	203950	Washer	
	204253	Silicone Grease	Apply small amount to washer
8	204486	Pulley	
9	26509	Washer	
10	27220	Screw	
11	38008	Helix	
12	28944RP	Lower Bearing	

Transmission Assembly

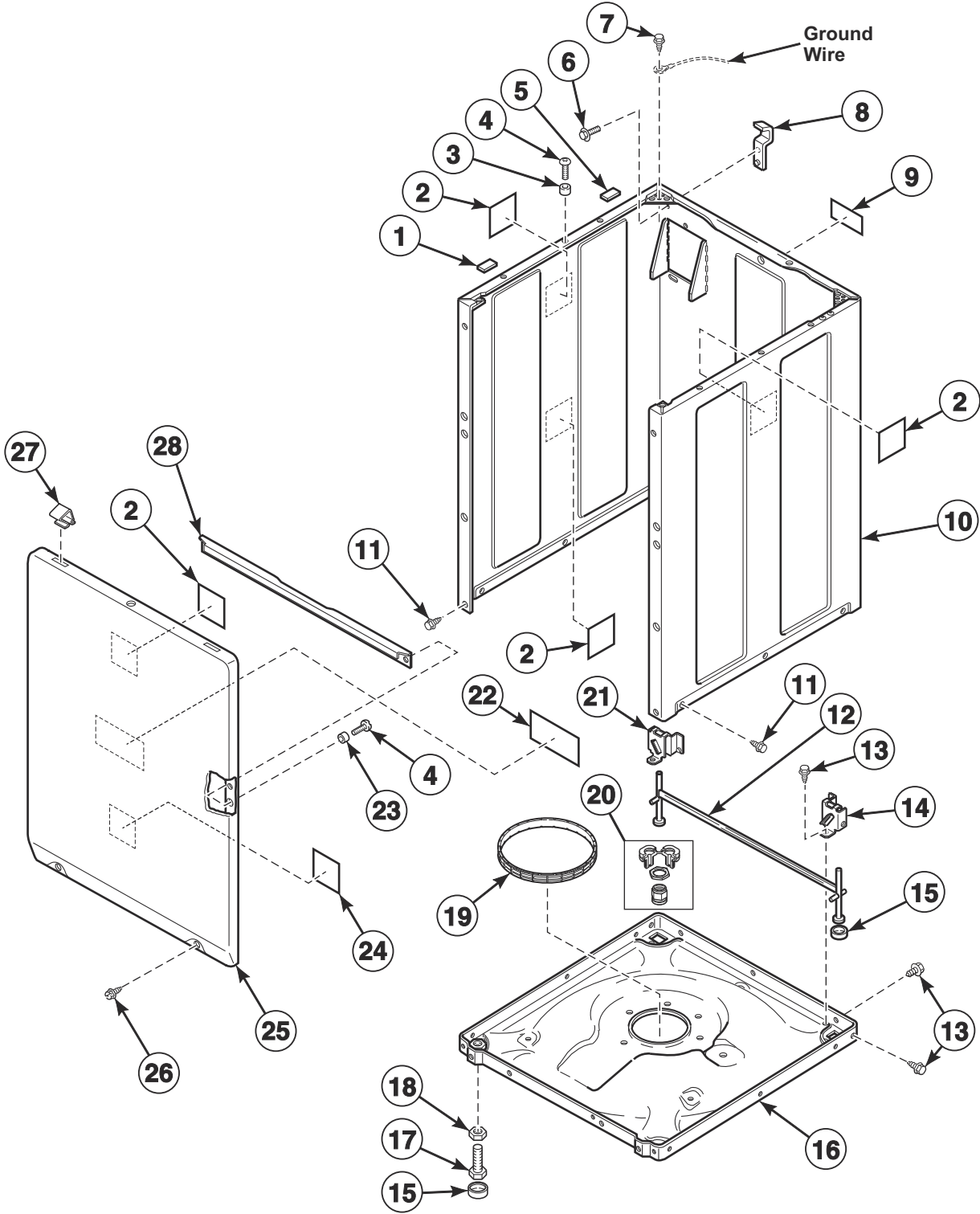


TLW1838P_204891

Transmission Assembly

REF	PART NO.	DESCRIPTION	COMMENTS
	27604P	Anti-Seize Compound	Apply to smooth area of both the upper and lower transmission tube that will be contacting the upper and lower bearings and apply to spline area of upper and lower transmission tube that will be contacting the washtub
	204568	Outer Tub and Transmission Kit	Includes item 1 and hub and lip seal kit installed
1	203768	Transmission Assembly	Includes item 2 and hub and lip seal kit; Lip seal models only
2	200996P	Sealant	

Front Panel, Base Assembly and Cabinet Kit

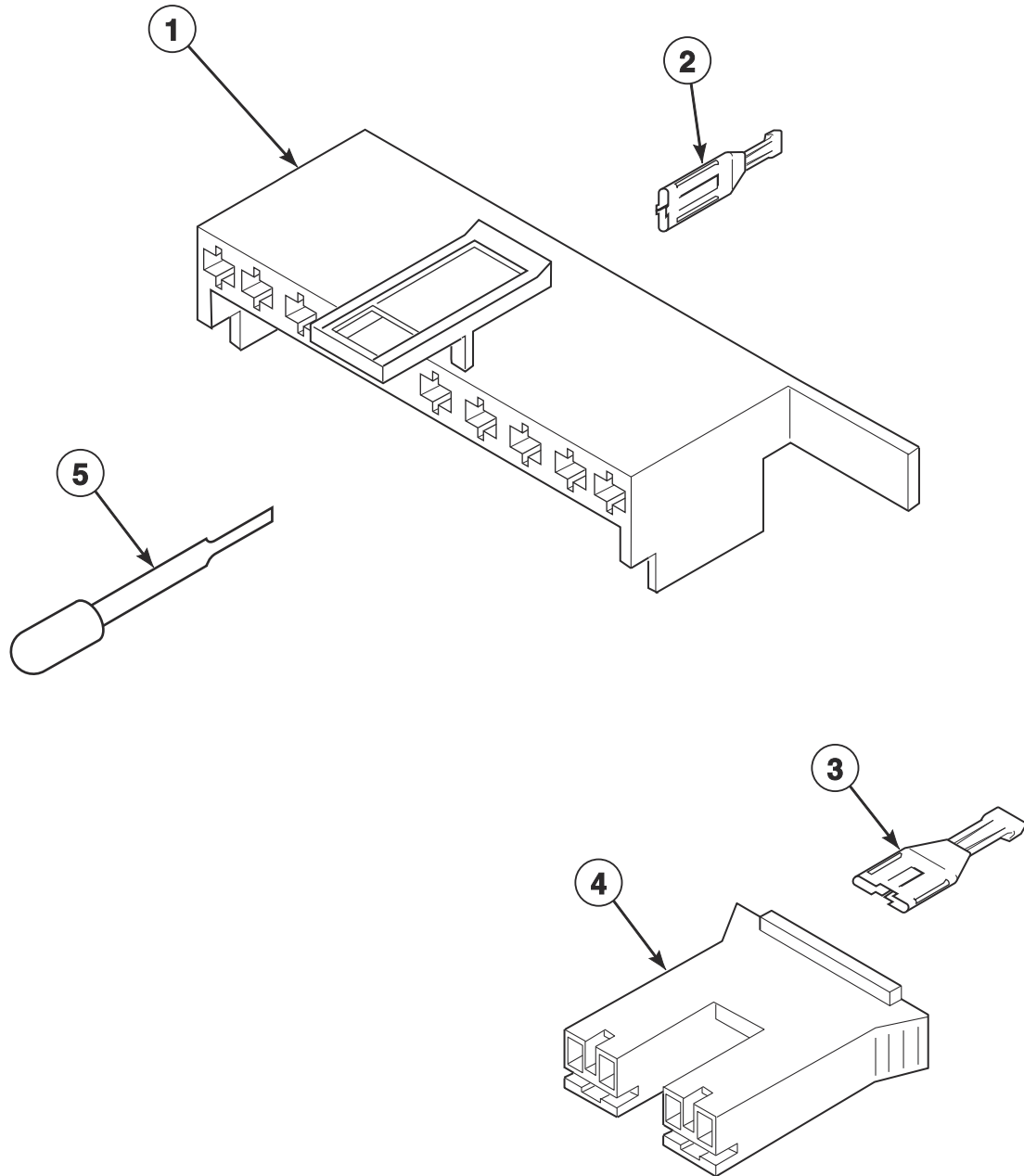


TLW1843P_204891

Front Panel, Base Assembly and Cabinet Kit

REF	PART NO.	DESCRIPTION	COMMENTS
	122P4P	Porcelain Touch-Up Paint	
1	56128	Bumper Pad	
2	39480	Foam Pad	
3	56079	Panel Locator	
4	39733	Screw	
5	36226	Bumper Pad	
6	51780	Screw	
7	D501086	Screw	
8	27103	Hold-Down Lug Hinge	
9	803260	Warning Label	
	D500316	Warning Label	English/French
10	38612WP	Service Cabinet Kit	
11	27196	Screw	
12	34443	Leg and Stabilizer Assembly	
13	35148	Screw	
14	36036	Bracket	Right
15	34318	Rubber Foot	
16	39788	Base Assembly	
17	34319	Leveling Leg	
18	21899	Nut	
19	37937	Friction Ring	
20	566P3	Adjustable Leg Extension Kit	
21	36037	Bracket	Left
22	36204	Front Panel Pad	
23	28102	Panel Locator	
24	203484	Foam Pad	
25	204870	Front Panel	
26	38272	Screw	
27	35865	Hold-Down Clip	
28	35097	Front Panel Brace	

Mixing Valve and Motor Connection Blocks, Terminals and Extractor Tool

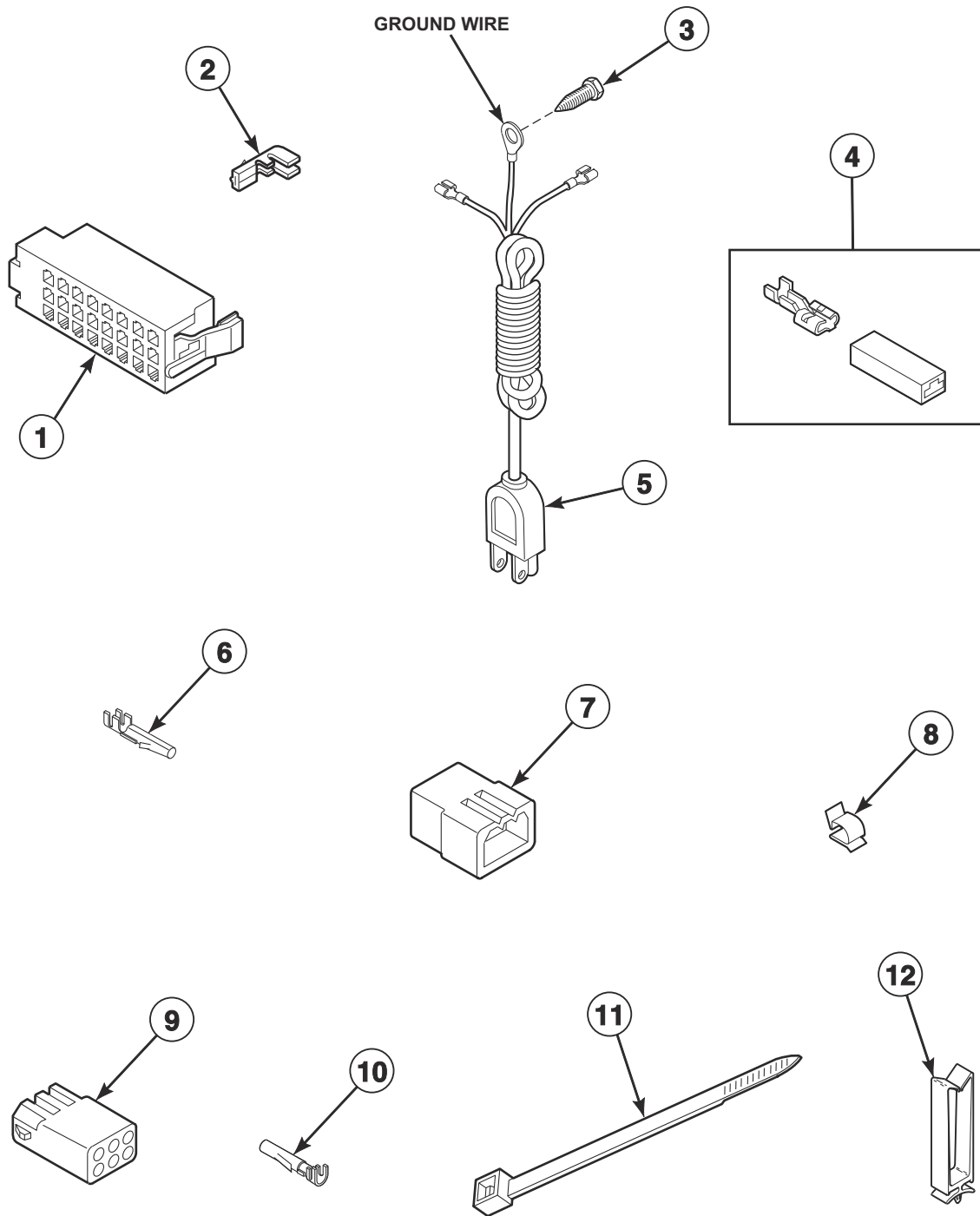


W134PZ3A_204891

Mixing Valve and Motor Connection Blocks, Terminals and Extractor Tool

REF	PART NO.	DESCRIPTION	COMMENTS
1	34677	10 Circuit Plug	Motor
2	00188	Female Terminal	For 1 or 2 wire application
3	00121	Female Spade Terminal	1/4 inch
4	34675	Mixing Valve Plug	Natural
	34676	Mixing Valve Plug	Red
5	283P4	Terminal Extractor Tool	

Lead-In Cord and Terminals

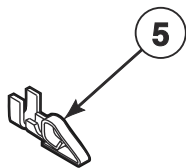
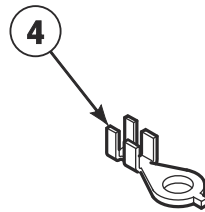
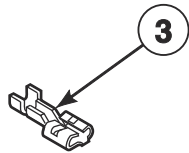
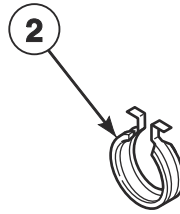
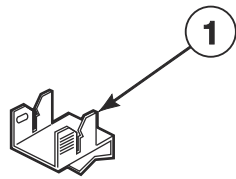


TLW1518P_204891

Lead-In Cord and Terminals

REF	PART NO.	DESCRIPTION	COMMENTS
1	32746	24 Position Housing	Right; Black
2	00188	Female Terminal	For 1 or 2 wire application
	00568SG	Terminal	
3	D503688	Screw	
4	00359	Insulated Female Spade Terminal	
5	202777	Lead-In Cord	
6	00116	Male Pin Terminal	
7	23033	9 Circuit Plug	
8	21036	Cable Clip	
9	26163	9 Circuit Receptacle	
10	00574SG	Female Pin Terminal	
11	55881	Harness Strap	
12	70296701	Wire Tie	

Terminals

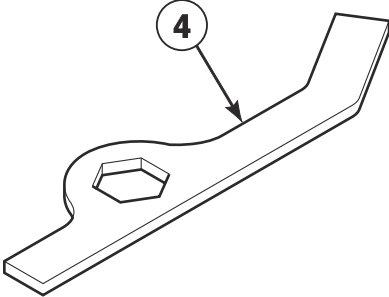
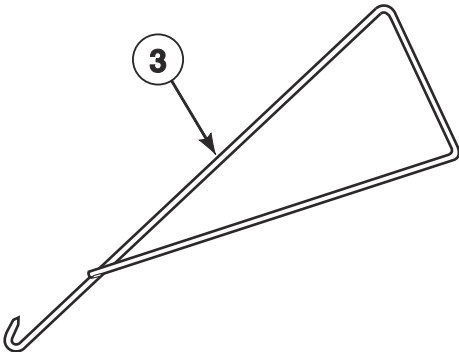
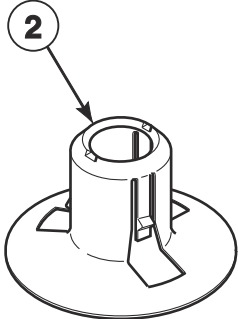
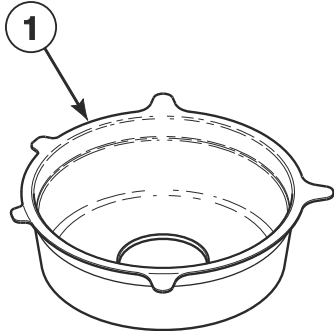


TLW1780P_204891

Terminals

REF	PART NO.	DESCRIPTION	COMMENTS
1	00161	Grounding Clip	
	00569SG	Terminal Grounding Clip	
2	D504034	Wire Clip	
3	00223	Female Spade Terminal	Large spade
	00577	Terminal Tab	
4	00319	Ring Terminal	Small shank
5	00257	Pressure Switch Terminal	

Shipping Brace, Plug and Special Tools

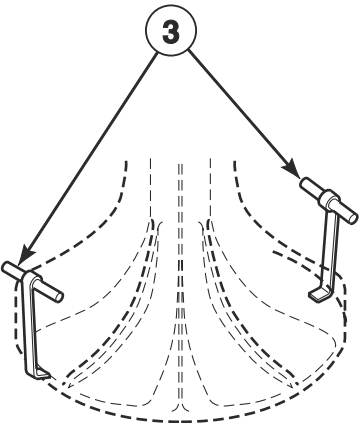
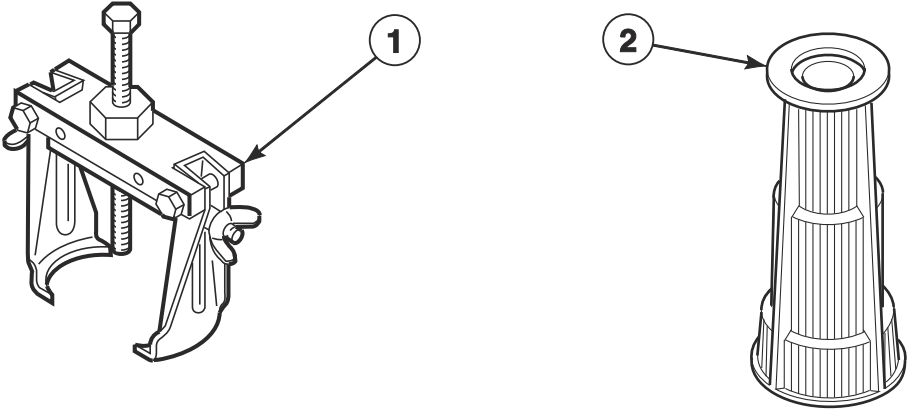


TLW1661P_204891

Shipping Brace, Plug and Special Tools

REF	PART NO.	DESCRIPTION	COMMENTS
	725P3	Tool Kit	Includes items 3, 4, drive bell seal tool, tub cover removal tool, agitator hook and torx bit
	204058	Washer Installation Kit	
1	204678	Shipping Brace	Install whenever moving washer; Remove before use
2	38149	Shipping Plug	Install before moving washer to prevent tub from damaging cabinet
3	321P4	Spring Hook Tool	For removal of module springs from outer tub
4	306P4	Hex Wrench Tool	For removal of locknut from washtub hub

Special Tools

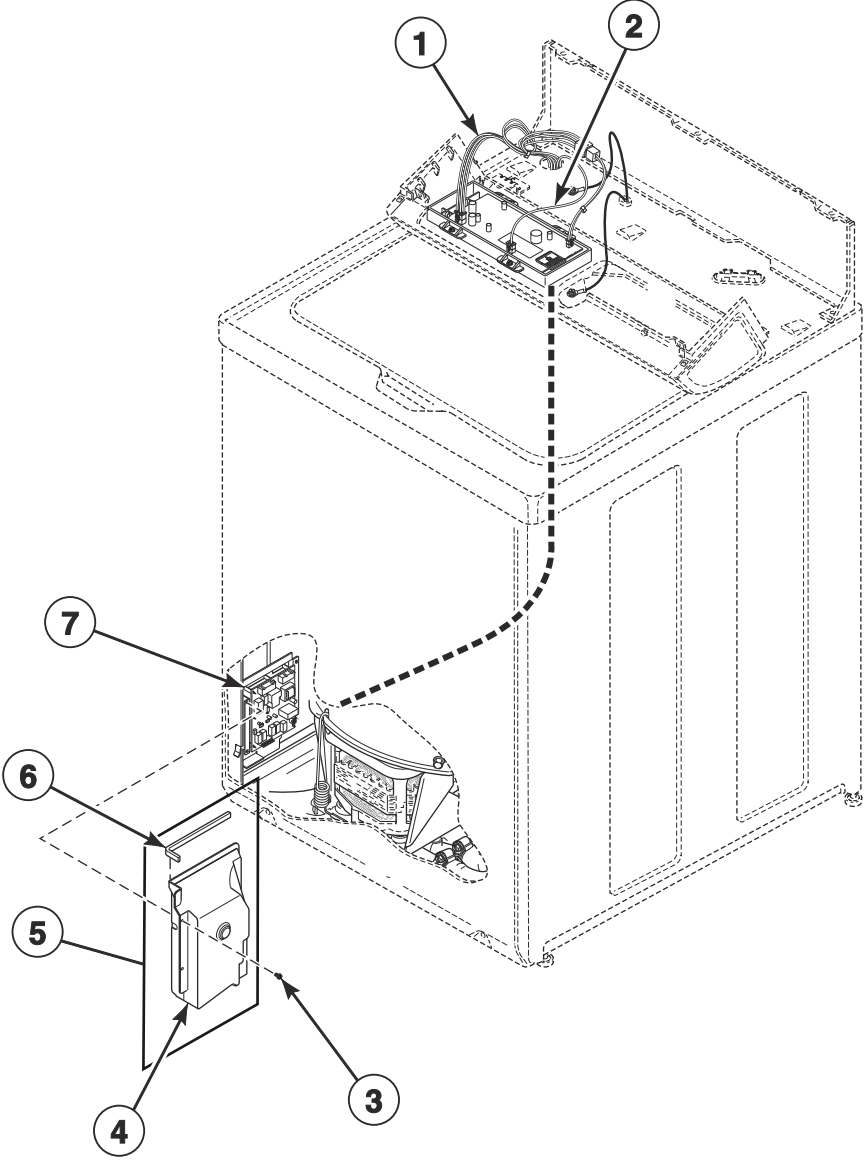


TLW1534P_204891

Special Tools

REF	PART NO.	DESCRIPTION	COMMENTS
	725P3	Tool Kit	Includes items 4, 5, spring hook, hex wrench, tub cover removal tool and Torx bit
	392P4	Wrench	
1	294P4	Agitator Drive Bell Puller	For removal and installation of drive bell to transmission shaft
2	293P4	Drive Bell Seal Tool	For installation of 36425 Bell and Transmission Tube Seal
3	254P4P	Agitator Hook	Set of 2; Use to remove agitator from drive bell

Output Board, Wire Harnesses and Wires



TLW1896P_204891

Output Board, Wire Harnesses and Wires

REF	PART NO.	DESCRIPTION	COMMENTS
	45001	18 Gauge Wire	Black; Order wire by foot and terminals as required
	45380	12 Gauge Wire	Orange; Order wire by foot and terminals as required
1	204550	Control Harness	Through Serial No. 1912999999
	204714	Control Harness	Starting Serial No. 2001000001
2	204113	Pressure Sensor Harness	
3	804667	Screw	
4	202939	Output Control Shield	
5	202965	Shield Assembly	Includes items 4 and 6
6	202964	Output Board Cover Gasket	
7	202508P	Output Board Control Assembly	Through Serial No. 1912999999
	204783	Output Board Control Assembly	Starting Serial No. 2001000001

NOTE: Individual wires are not available separately. Order complete wire harness, or order wire by the foot. When applying terminals to wires, it is recommended that the terminals be soldered to the wires.

Parts Index

A

Adjustable Leg Extension Kit 566P3	25
Agitate and Spin Belt 38174	13
Agitator Drive Bell Puller 294P4	35
Agitator Hook 254P4P	35
Anti-Seize Compound 27604P	23

B

Balance Ring Assembly 39837	15
Base Assembly 39788	25
Bell and Transmission Tube Seal 36425	15
Bell Plug 36511	15
Belt and Pump Kit RB150003	13
Bleach Dispenser 38382	9
Bracket 36036	25
36037	25
Brake Kit 38505P	21
Brake Pad Kit 735P3	21
Bumper 21685	9
Bumper Pad 36226	25
56128	25
Bushing 33446	9

C

Cable Clip 21036	29
Capacitive Touch Switch 204266	5
Capacitor 37377	13
Capacitor Clamp 37535	13
Control Assembly 204800P	5
Control Harness 204550	37
204714	37

Control Support Panel 203840	5
Counterweight Assembly 38769	17

D

Disconnect Power Warning Label D505281	9
Drain Extension Kit 451P3	19
Drain Hose 39893	19
Drain Hose Sleeve 33615	19
Drive Bell and Seal Kit 39508P	15
Drive Bell Seal Tool 293P4	35

E

End Cap 203729W	5
203730W	5

F

Fabric Softener Dispenser Assembly 205225	15
Female Pin Terminal 00574SG	29
Female Spade Terminal 00121	27
00223	31
Female Terminal 00188	27, 29
Fill Hose 203719	11
203720	11
Flex Vane Agitator 36507	15
Foam 204365	5
Foam Pad 203484	25
39480	25
Friction Ring 37937	25
Front Panel 204870	25
Front Panel Brace 35097	25
Front Panel Pad 36204	25

N/A items do not appear in index.

G

Graphic Panel	
204802	5
204911	5
Grommet	
29175	17
Grounding Clip	
00161	31

H

Harness Strap	
55881	29
Helix	
38008	21
Hex Wrench Tool	
306P4	33
Hinge Stop Clip	
36519	9
Hold-Down Clip	
35358	5, 9
35865	25
Hold-Down Lug Hinge	
27103	25
Hood Back Panel	
203733	9
Hose Clamp	
F200204	19
36801	11
39282	17
800803	11
Hose Clip	
36985	17
Hose Stand	
38732	19
Housing, 24 Position	
32746	29
Hub and Lip Seal Kit	
766P3A	15, 17

I

Idler Lever	
38011	13
Idler Lever Kit	
959P3	13
Idler Lever Spring	
202032	13
Idler Pulley	
38225P	13
Idler Shaft	
210186	13
Inlet Cover	
202894	9
Inlet Deflector	
202900	9
Insulated Female Spade Terminal	
00359	29

K

Knob Assembly	
806597	5

L

Lead-In Cord	
202777	29
LED Display Assembly	
204488	5
Leg and Stabilizer Assembly	
34443	25
Leg Plate	
27926	17
Leg Spring	
37575	17
Leveling Leg	
34319	25
Lid	
37395WP	9
Lid Hinge	
36437	9
36513	9
Lid Switch Assembly	
204791	7
Lid Warning Label	
203045	9
Lint Filter	
39371	15
Lower Bearing	
28944RP	21

M

Male Pin Terminal	
00116	29
Mixing Valve	
203741	11
Mixing Valve Mounting Bracket	
203558	11
Mixing Valve Plug	
34675	27
34676	27
Mixing Valve Screen	
24122	11
Motor Assembly	
38034	13
Motor Mount and Isolator Assembly	
204062	13
Motor Mount ans Isolator Assembly	
204063	13
Motor Mount Bracket	
200941	13
Motor Shield	
34754	13

N/A items do not appear in index.

N

Nut	
M400979	7
21899	25
28803	13
29220	15
35423	13
52566	13

O

Outer Tub and Transmission Kit	
204568	17, 23
Outer Tub Assembly	
203603P	17
Outer Tub Kit	
204383	17
Output Board Control Assembly	
202508P	37
204783	37
Output Board Cover Gasket	
202964	37
Output Control Shield	
202939	37

P

Panel Locator	
28102	25
56079	25
Plug, 10 Circuit	
34677	27
Plug, 9 Circuit	
23033	29
Porcelain Touch-Up Paint	
122P4P	25
Pressure Bulb	
205241	17
Pressure Sensor	
203843	11
Pressure Sensor Harness	
204113	37
Pressure Switch Terminal	
00257	31
Pulley	
204486	21
Pump	
205217P	13

R

Receptacle, 9 Circuit	
26163	29
Retainer Clip	
36014	19
Retaining Ring	
23748	13

Ring Terminal	
00319	31
Rubber Foot	
34318	25

S

Screw	
D501086	25
D503688	29
203799	5
204342	5
204503	5
204656	7
23962	5, 7, 9
27196	25
27202	15
27220	21
27229	13
31645	13
33562	9, 11
34337	9
35148	25
35369	13, 17
38272	25
39397	11
39432	15
39566	17
39733	25
39739	21
51780	25
52909	13
800548	5
804667	37
807075	5
Sealant	
200996P	15, 17, 23
Service Cabinet Kit	
38612WP	25
Shield Assembly	
202965	37
Shipping Brace	
204678	33
Shipping Plug	
38149	33
Silicone Grease	
204253	21
Siphon Break Kit	
562P3	19
Spline Insert	
29728	15
Spring Clip	
210202	13
Spring Hook Tool	
321P4	33
Standpipe Adapter	
36878	19
Standpipe Strap	
33489	19
Strain Relief	
32219	19
38384	9

N/A items do not appear in index.

T

Terminal	
00568SG	29
Terminal Extractor Tool	
283P4	27
Terminal Grounding Clip	
00569SG	31
Terminal Tab	
00577	31
Tool Kit	
725P3	33, 35
Top	
37992WP	9
Transmission Assembly	
203768	23
Tub Cover Assembly	
202888	17
Tub Cover Gasket	
38359	17
Tubing	
203802	17
Tub-to-Pump Hose	
38351	19

V

Valve to Inlet Hose	
204400	11

W

Warning Label	
D500049	17
D500314	17
D500316	25
803260	25
Washer	
D504082	13
20290	11
203950	21
26509	21
27015	21
35535	21
37772	13
39249	17
52549	13
802254	11
803615	11
81392	13
Washer Installation Kit	
204058	33
Washtub Gasket	
39122	15
Washtub Kit	
719P3	15
Weldment and Bearing Assembly	
39253	21
Wire Clip	
D504034	31

Wire Tie	
70296701	29
Wire, 12 Gauge	
45380	37
Wire, 18 Gauge	
45001	37
Wrench	
392P4	35

N/A items do not appear in index.