

ezip

HYBRID ELECTRIC BICYCLE OWNER'S MANUAL



Enlightened Series



Rack Mount (RMB) Series



Additional information covering
Seat Tube Batteries (STB) Series
included in this manual



FULLY CHARGE BATTERIES BEFORE FIRST USE - Batteries should be fully charged immediately when they are received and immediately after each use for the recommended charge times (see below).

- Li-Ion (Lithium Ion) batteries 4-6 hours
- NiMH (Nickel Metal Hydride) 4-6 hours
- SLA (Sealed Lead Acid) batteries 6-8 hours

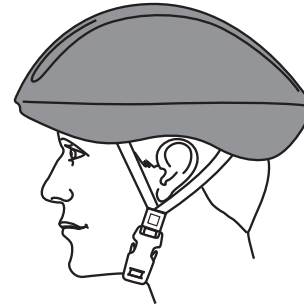
With proper care and maintenance your Currie Technologies® Hybrid Electric Bicycle will provide ease of use and be fun to ride. Below are points that will help you to maximize the enjoyment you get from your new hybrid electric bicycle.

FACTORS TO MAXIMIZE THE RANGE OF YOUR HYBRID ELECTRIC BICYCLE

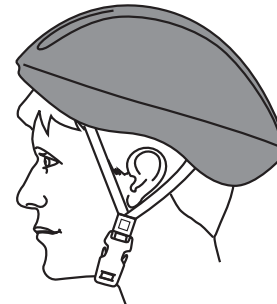
- **RIDER INPUT** - the more the rider pedals the further the distance traveled. Continuous riding, as opposed to frequent stopping and starting, will yield the greatest range possible
- **ELEVATION GAIN** - the flatter the road the further the distance traveled
- **WEATHER** - cold weather can adversely affect the battery capacity
- **WIND** - traveling with a tailwind will increase distance traveled, traveling into a headwind will decrease distance traveled
- **TERRAIN** - the smoother the terrain (roadways vs. fireroads, etc.) the further the distance traveled
- **RIDER WEIGHT** - the lighter the rider, resulting in less drain on the batteries, the further distance traveled
- **BICYCLE MAINTENANCE** - a properly maintained bicycle will yield the greatest range possible
- **TIRE PRESSURE** - properly inflated tires have less rolling resistance and will be easier to pedal
- **BATTERIES** - properly charged and maintained batteries will yield the greatest range possible. Batteries stored in cold areas (below 50 degrees Fahrenheit / 10 degrees Celsius) will show reduced range. Never allow batteries to freeze (below 32° Fahrenheit) as this will result in permanent damage to them. Batteries that have not been kept in optimum condition will show reduced range and run time.

HELMETS SAVE LIVES !!!

- ALWAYS WEAR A PROPERLY FITTED HELMET WHEN YOU RIDE YOUR BICYCLE.
- DO NOT RIDE AT NIGHT.
- CPSC RECORDS SHOW THAT ABOUT 35% OF BICYCLE RELATED DEATHS OCCUR AFTER DARK.
- AVOID RIDING IN WET CONDITIONS.
- CPSC RECORDS SHOW THAT ABOUT 65% OF INJURIES HAPPEN TO CHILDREN UNDER 15 YEARS OF AGE.
- RIDE ONLY WITH ADULT SUPERVISION



CORRECT FITTING - MAKE SURE YOUR HELMET COVERS YOUR FOREHEAD.



INCORRECT FITTING. FOREHEAD IS EXPOSED AND VULNERABLE TO SERIOUS INJURY.

Personal Care from Currie Technologies®



**PLEASE DO NOT RETURN
THIS ITEM TO THE STORE.**

For questions or assistance on assembly contact
Currie Technologies® Customer Service

Congratulations on your new purchase!
Our Service Department is dedicated to your satisfaction with Currie Technologies® and its products. For questions regarding performance, assembly, operation, parts or returns, contact the experts at Currie Technologies® directly by calling toll free

1-800-377-4532

Monday - Friday
8:00 am - 4:00 pm (PST)

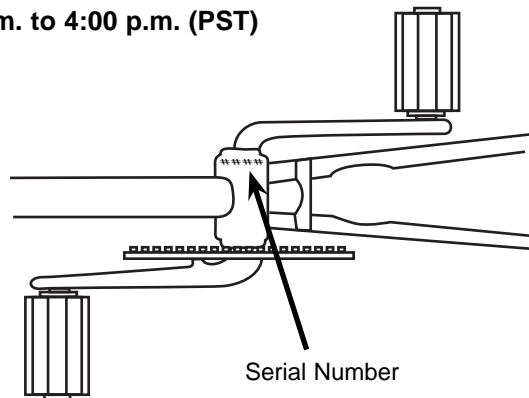
IMPORTANT – Please activate your warranty by registering your new Currie product within 10 days of purchase by visiting our web site www.currietechnology.com and clicking the “Register Your Product” link.

The following manual is only a guide to assist you and is not a complete or comprehensive manual of all aspects of maintaining and repairing your bicycle. The bicycle you have purchased is a complex object. We recommend that you consult a bicycle repair specialist if you have doubts or concerns as to your experience or ability to properly assemble, repair, or maintain your bicycle. You will save time and the inconvenience of having to go back to the store if you choose to write or call us concerning missing parts, service questions, operating advice, and/or assembly questions.

SERVICE

CALL TOLL FREE 1 800 377 4532

Monday - Friday 8:00 a.m. to 4:00 p.m. (PST)



CURRIE TECHNOLOGIES®

9453 Owensmouth Avenue | Chatsworth, CA 91311

Phone (818) 734-8123 | Fax (818) 734-8199

www.CurrieTech.com | www.iZipUSA.com

Customer Service (800) 377-4532

**Please Retain your Sales Receipt as Proof of Purchase.
Attach receipt here.**

Notes: _____



PART 1 Parts Identification and Tools9-13



PART 2 Before You Ride14-30



PART 3 Electrical Components31-48



PART 4 Assembly49-84



PART 5 Servicing85-87



PART 6 Detailed Maintenance88-123



PART 7 How Things Work124-136



PART 8 Purchase Record and Warranty137-139



Warning / Important - Take notice of this symbol throughout this manual and pay particular attention to the instructions blocked off and preceded by this symbol.

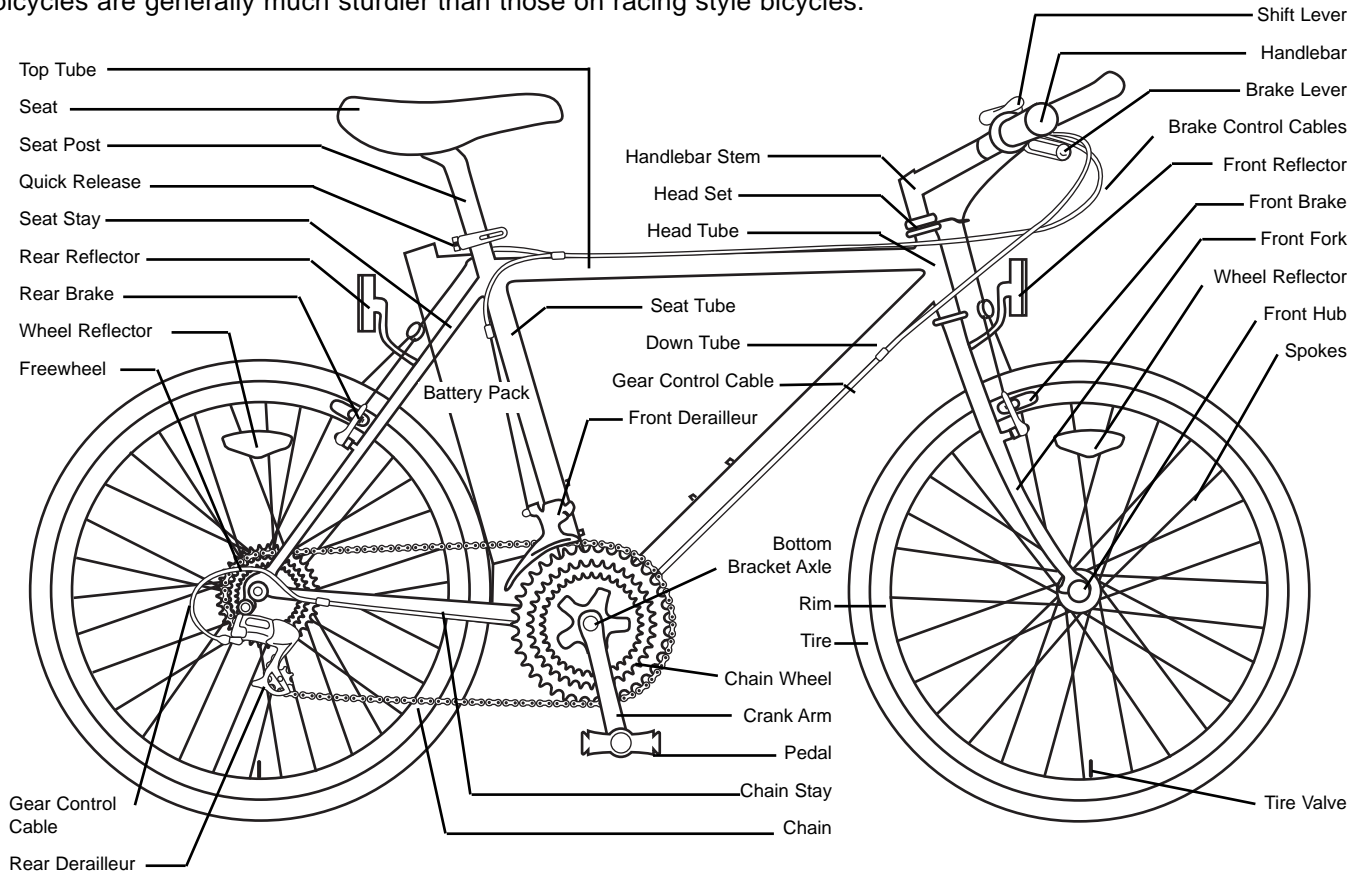
1. PARTS IDENTIFICATION	9-13
Electric Bikes	11-12
Tools Required	13
2. BEFORE YOU RIDE	14-30
Correct Frame Size	15
Riding Position	16
Seat Height	16
Reach	16
Handlebar Height	17
Safety Checklist	18-22
Brakes	18
Wheels & Tires	18
Steering	18
Chain	18
Bearings	19
Cranks & Pedals	19
Deraileurs	19
Frame & Fork	19
Accessories	19
Motor Assembly & Throttle	19
Battery Pack	19
Helmets	20
Reflectors	21-22
Riding Safely	23-25
General Rules	23
Wet Weather Riding	24
Night Riding	24
Pedaling Technique	24
Hill Technique	25
Cornering Technique	25
Rules for Children	25
Gears	26-28
Deraileur Gears	26
Operating Principles	26
Hand Grip Shifters	27
Below the Bar Shifters	28
Bicycle Care	29-30
Basic Maintenance	29
Storage	30
Security	30

3. ELECTRONIC COMPONENTS	31-48
Battery Gauge	31-32
Battery Terminal Covers	32
Throttles	33
Pedal Activated System (PAS)	33
Twist and Go (TAG)	33
Pedal Torque Sensor (PTS)	34
TTM4 Sensor	34
Taking Care of Batteries	35
Battery FAQ's	36-37
Charging Batteries	37
Charger	38-40
Power Switches	41
Fuses	42
Wiring Diagrams	43-48
4. ASSEMBLY	49-84
Deraileur Geared Bicycle	49
Handlebars, Stems and Shifters	50-52
Aheadset	50
Standard Stem	51
Shifters	52
Forks	53
Seat and Seat Post	54
Pedals & Crank Set	55
Front Wheel	56
Quick Release Axle	56-57
Rear Wheel	57
Front Brake	58
V-Style Brakes	59-60
Check your Brakes	61
Disc Brakes	62-63
Deraileur	64-65
Rear Deraileur	64
Front Deraileur	65
Dual Suspension	66-67
Rear Pivots	66
Accessories	68
Fenders	69-71
Front Fender	69
Rear Fender	70
Final Check	71
Single Speed & BMX	72-84
Handlebars	72
Seat	73
Pedals & Crank Set	73
Front wheel	74
Front Brake	74
Side Pull Brake	75

V-Style Brake	76-77
Rotors	78-79
Axle Peg Assembly	80
Non-Threaded Axle Peg	80
Threaded Axle Peg	80
Training Wheels	81-83
Wheels to Brace	82
Brace to Bicycle	82
C-Shape Brace	82
Flat Brace	82
Stabilizer Bracket	83
Final Check	84
5. SERVICING	85-87
Schedule 1 - Lubrication	85
Schedule 2 - Service Checklist	86
Tools Required	87
6. DETAILED MAINTENANCE	88-123
Wheel Inspection	88
Tire Inspection	89
Tire Pressures	89
Hub Bearing Adjustment	90
Flat Tire Repair	90-91
Handlebar Stem	92-93
Handlebars	93
Grip Shift Installation	94
Cables & Cable Housing	95
Headset	96
Inspection	96
Adjustment	96
Seat & Seat Post	97-98
Inspection	97
Lubrication	97
Adjustment	98
Brakes	99-102
Inspection	99
Lubrication	100
Adjustment Sidepull Calipers	100-101
Adjustment V-Style Brakes	101
Brake Pad Adjustment	102
Drivetrain	103-104
Pedals	103
Inspection	103
Lubrication & Adjustment	104
Attachment	104

Crank Set	105-108
Inspection	105
Lubrication & Adjustment	106
(one piece crankset)	
Lubrication & Adjustment	107-108
(standard crankset)	
Chain	109-113
Inspection	109
Lubrication	109
Adjustment & Replacement	110
Electric Motor Chain Adjustment	111-112
Freewheel	113
Inspection	113
Lubrication	113
Coaster Brake Hub	113
Deraileur Systems	114-116
Inspection	114
Lubrication	115
Adjustment (Rear)	115
Adjustment (Front)	116
Reflectors	117-118
Reflectors	117
Miscellaneous Accessories	118
Basket Assembly	118
Troubleshooting	119-123
Mechanical	119-121
Electrical	122-123
7. HOW THINGS WORK	124-136
A) Wheel Quick Release	124-127
B) Seatpost Quick Release	128
C) Brakes	128-130
D) Shifting	130-133
E) Toeclips & Straps	133
F) Clipless ("step-in") pedals	133
G) Tires and Tubes	134
H) Bicycle Suspension	135-136
8. PURCHASE RECORD	137-139
& LIMITED WARRANTY	
Purchase Record	137
Limited Warrant	138-139

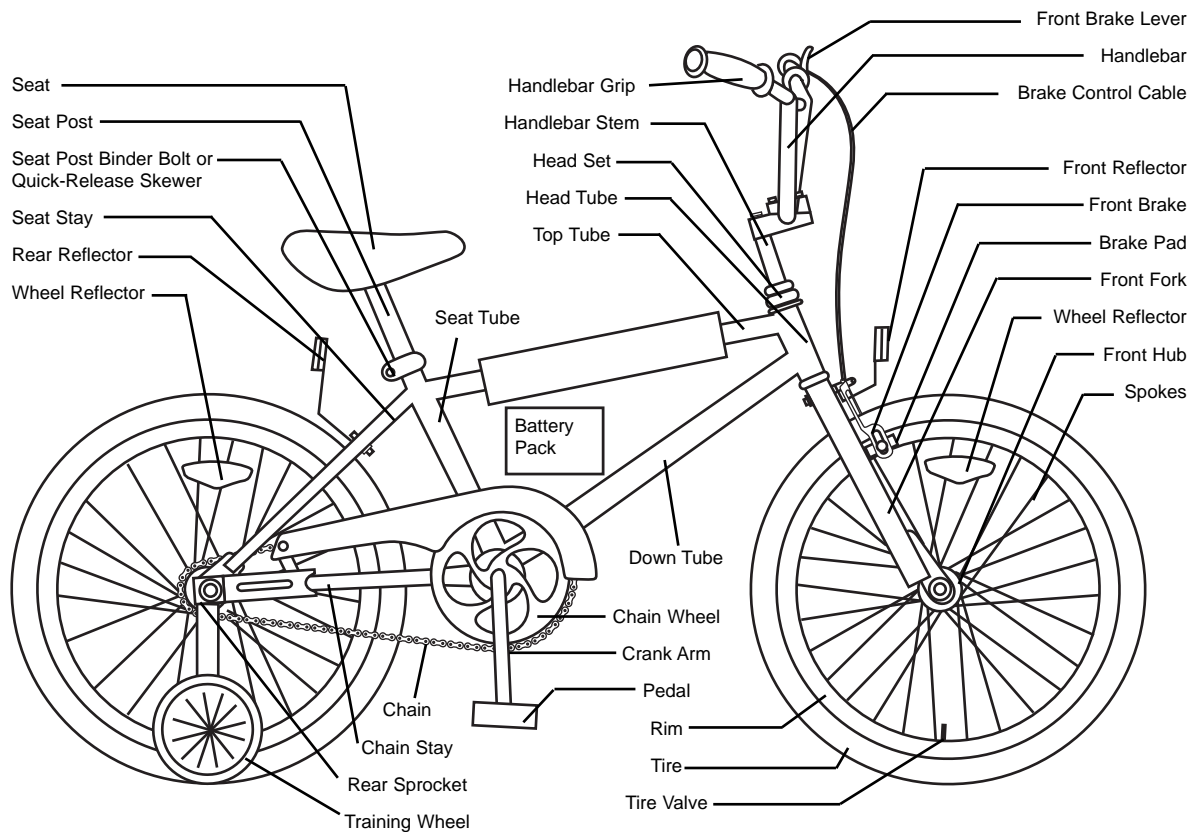
MOUNTAIN BICYCLES . Mountain bicycles are designed to give maximum comfort over a wide variety of road surfaces. The wider handlebars and convenient shift lever position make them very easy to control. Wider rims and tires give them a softer ride with more traction on rough surfaces. The frame and fork on mountain style bicycles are generally much sturdier than those on racing style bicycles.



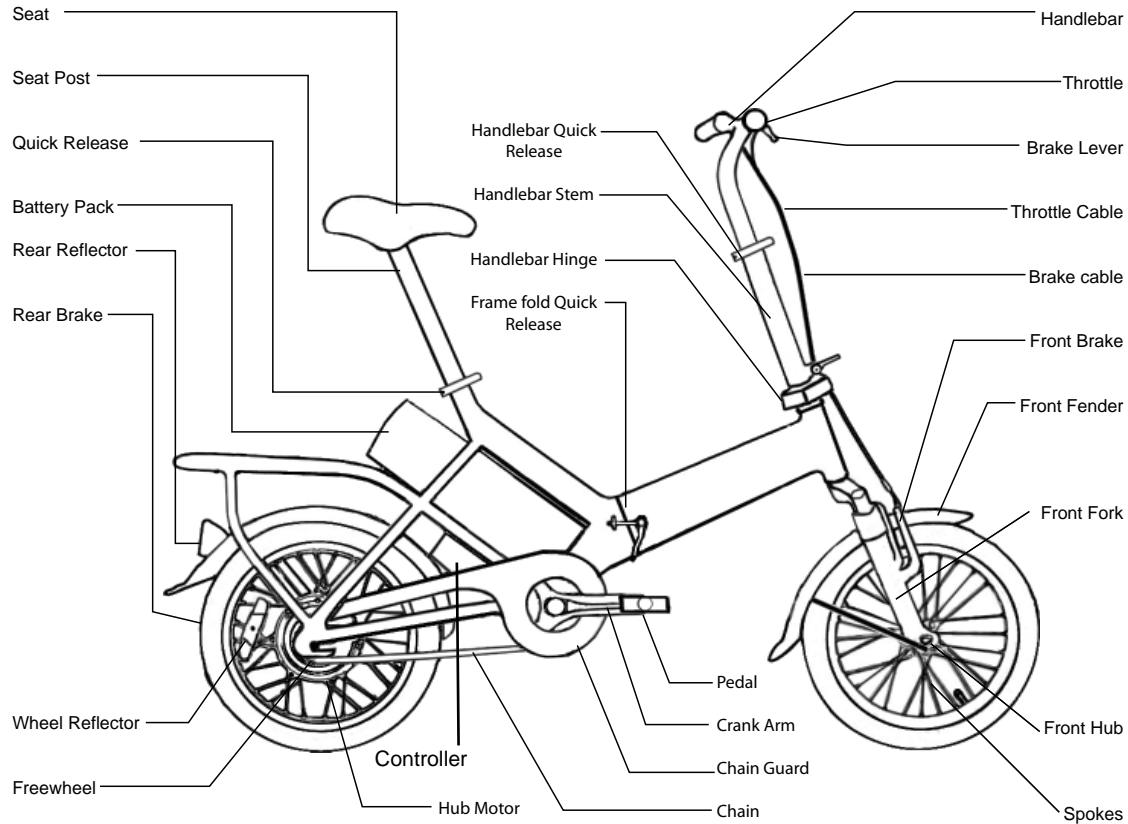
PART 1 - PARTS IDENTIFICATION



BMX BICYCLES - BMX style bicycles are a popular general purpose type most suited for young riders. They are valued because of their sturdy and simple construction, and low maintenance.

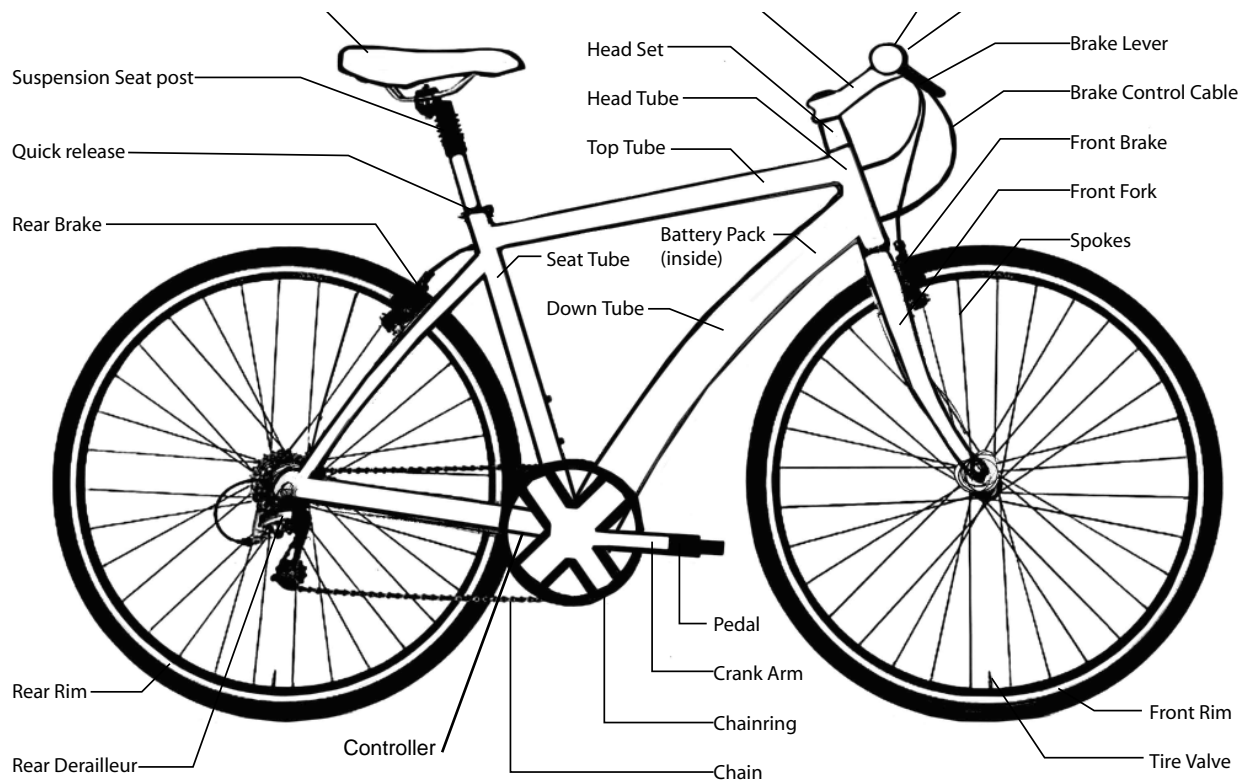


FOLDING BICYCLES - Super portable, and easy folding design. Perfect for camping, and fits perfectly in RV's, boats and car trunks.





ENLIGHTENED SERIES - Lightweight, hidden, NiMH (nickel metal hydride) or Li-Ion (Lithium Ion) battery pack in a modern designed frame. Perfect for Commuting and City Riding

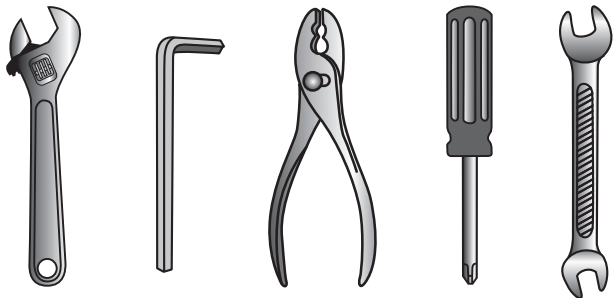


Your new bicycle was partially assembled in the factory and then partially disassembled for shipping. You may have purchased the bicycle already fully assembled and ready to ride OR in the shipping carton in the partially disassembled form. The following instructions will enable you to prepare your bicycle for years of enjoyable cycling. For more details on inspection, lubrication, maintenance and adjustment of any area please refer to the relevant sections in this manual. If you have questions about your ability to properly assemble this unit, please consult a qualified bicycle service specialist before riding. If you need replacement parts or have questions pertaining to assembly of your bicycle, call the service line direct at:

SERVICE AND TECHNICAL SUPPORT:

1 800 377 4532

Monday - Friday 8:00 a.m. - 4:00 p.m. (PST)



Tools Required:

- Phillips head screw driver
- 2.5mm, 3mm, 4mm, 5mm 6mm & 8mm Allen keys
- Adjustable wrench or a 8mm, 9mm, 10mm, 13mm, 14mm & 15mm open and box end wrenches
- A pair of pliers with cable cutting ability



To avoid injury, this product must be properly assembled before use. If your bicycle was obtained assembled, we strongly recommend that you review the complete assembly instructions and perform checks specified in this manual before riding.





BEFORE YOU RIDE

ABOUT THIS MANUAL

It is important for you to understand your new bicycle. By reading this manual before you go out on your first ride, you'll know how to get better performance, comfort, and enjoyment from your new bicycle.

It is also important that your first ride on your new bicycle is taken in a controlled environment, away from cars, obstacles, and other cyclists.

GENERAL WARNING

Bicycling can be a hazardous activity even under the best of circumstances. Proper maintenance of your bicycle is your responsibility as it helps reduce the risk of injury. This manual contains many "Warnings" and "Cautions" concerning the consequences of failure to maintain or inspect your bicycle. Many of the warnings and cautions say "you may lose control and fall." Because any fall can result in serious injury or even death, we do not repeat the warning of possible injury or death whenever the risk of falling is mentioned.

A SPECIAL NOTE FOR PARENTS

It is a tragic fact that most bicycle accidents involve children. As a parent or guardian, you bear the responsibility for the activities and safety of your minor child. Among these responsibilities are to make sure that the bicycle which your child is riding is properly fitted to the child; that it is in good repair and safe operating condition; that you and your child have learned, understand and obey not only the applicable local motor vehicle, bicycle, and traffic laws, but also the common sense rules of safe and responsible bicycling. As a parent, you should read this manual before letting your child ride the bicycle. Please make sure that your child always wears an ANSI, ASTM, SNELL approved bicycle helmet when riding.

CORRECT FRAME SIZE

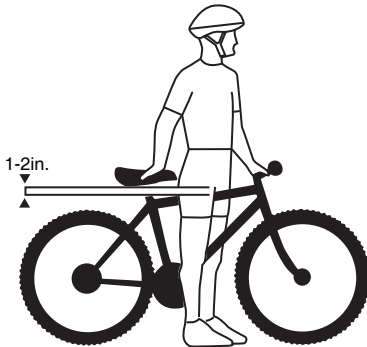
When selecting a new bicycle, the correct choice of frame size is a very important safety consideration. Most full sized bicycles come in a range of frame sizes. These sizes usually refer to the distance between the center of the bottom bracket and the top of the frame seat tube.

! For safe and comfortable riding there should be clearance of no less than 1 - 2 inches between the groin area of the intended rider and the top tube of the bicycle frame, while the rider straddles the bicycle with both feet flat on the ground.

The ideal clearance will vary between types of bicycles and rider preference. This makes straddling the frame when off the seat easier and safer in situations such as sudden traffic stops. Women can use a men's style bicycle to determine the correct size women's model.

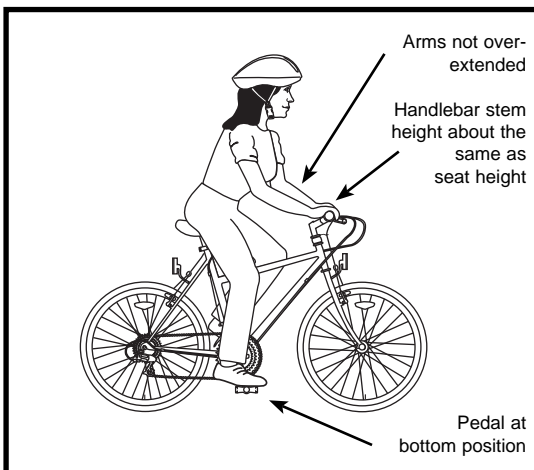
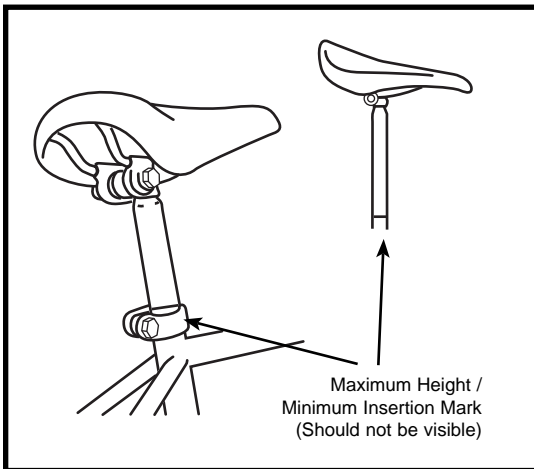
The following chart and diagram will help you make the correct choice. Rider leg length refers to approximate pant inseam.

Frame Sizing Guide



Approximate Rider Leg Length	Suggested Frame Size for Racing/Touring Bicycle	Suggested frame Size for Mountain, Hybrid, Comfort, or Cruiser Bicycle
61-69cm / 24-27 inches	-	37cm / 14.5 inches
66-76cm / 26-30 inches	-	43cm / 17 inches
71-79cm / 28-31 inches	50cm / 19.5 inches	45cm / 18 inches
76-84cm / 30-33 inches	55cm / 21.5 inches	50cm / 19.5 inches
79-86cm / 31-34 inches	57cm / 22.5 inches	52cm / 20.5 inches
81-89cm / 32-35 Inches	60cm / 23.5 Inches	53-56cm / 21-22 Inches
86-94cm / 34-37 inches	63cm / 25 inches	58-60cm / 23-23.5 inches





RIDING POSITION

Seat Height

In order to obtain the most comfortable riding position and offer the best possible pedaling efficiency, the seat height should be set correctly in relation to the rider's leg length. The correct saddle height should not allow leg strain from over-extension, and the hips should not rock from side to side when pedaling. While sitting on the bicycle with one pedal at its lowest point, place the ball of your foot on that pedal. The correct saddle height will allow the knee to be slightly bent in this position. If the rider then places the heel of that foot on the pedal, the leg should be almost straight.



Under no circumstances should the seat post project from the frame beyond its “Minimum Insertion” or “Maximum Extension” mark. If your seat post projects from the frame beyond these markings, the seat post or frame may break, which could cause you to lose control and fall. Prior to your first ride, be sure to tighten the seat clamp properly. A loose seat clamp or seat post binder can cause damage to the bicycle or can cause you to lose control and fall. Periodically check to make sure that the seat clamp is properly tightened.

Reach

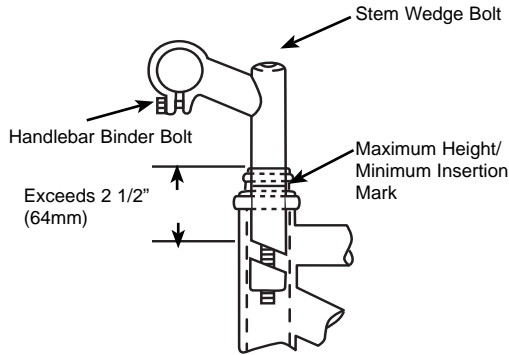
To obtain maximum comfort, the rider should not overextend his or her reach when riding.

To adjust this distance, the position of the seat can be altered in relation to the seat post. (Refer to page 98 on how to adjust the seat clamp.)



Handlebar Height

Maximum comfort is usually obtained when the handlebar height is equal to the height of the seat. You may wish to try different heights to find the most comfortable position.



Threadless headsets and clamp-on stems are not adjustable. Please refer to page 34 for instructions on installation.

The stem's "Minimum Insertion" mark must not be visible above the top of the headset. If the stem is extended beyond this mark, the stem may break or damage the fork's steerer tube, which could cause you to lose control and fall.

Failure to properly tighten the stem binder bolt, the handlebar binder bolt, or the bar end extension clamping bolts may compromise steering action, which could cause you to lose control and fall. Place the front wheel of the bicycle between your legs and attempt to twist the handlebar/stem assembly using a reasonable amount of force. If you can twist the stem in relation to the front wheel, turn the handlebars in relation to the stem, or turn the bar end extensions in relation to the handlebar. Prior to riding, you must fully tighten the appropriate bolts accordingly.





SAFETY CHECKLIST

Before every ride, it is important to carry out the following safety checks:



1. Brakes

- Ensure front and rear brakes work properly.
- Ensure brake shoe pads are not over worn and are correctly positioned in relation to the rims.
- Ensure brake control cables are lubricated, correctly adjusted and display no obvious wear.
- Ensure brake control levers are lubricated and tightly secured to the handlebar.



2. Wheels and Tires

- Ensure tires are inflated to within the recommended limit as displayed on the tire sidewall.
- Ensure tires have tread and have no bulges or excessive wear.
- Ensure rims run true and have no obvious wobbles or kinks.
- Ensure all wheel spokes are tight and not broken.
- Check that axle nuts are tight. If your bicycle is fitted with quick release axles, make sure locking levers are correctly tensioned and in the closed position.



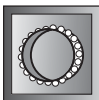
3. Steering

- Ensure handlebar and stem are correctly adjusted and tightened, and allow proper steering.
- Ensure that the handlebars are set correctly in relation to the forks and the direction of travel.
- Check that the headset locking mechanism is properly adjusted and tightened.
- If the bicycle is fitted with handlebar end extensions, ensure they are properly positioned and tightened.



4. Chain

- Ensure chain is oiled, clean and runs smoothly.
- Extra care is required in wet or dusty conditions.



5. Bearings

- Ensure all bearings are lubricated, run freely and display no excess movement, grinding or rattling.
- Check headset, wheel bearings, pedal bearings and bottom bracket bearings.



6. Cranks and Pedals

- Ensure pedals are securely tightened to the cranks.
- Ensure cranks are securely tightened to the axle and are not bent.



7. Derailleurs

- Check that front and rear mechanisms are adjusted and function properly.
- Ensure shift and brake levers are attached to the handlebar, shift and brake.
- Ensure derailleurs, shift levers and shift and brake cables are properly lubricated.



8. Frame and Fork

- Check that the frame and fork are not bent or broken.
- If either are bent or broken, they should be replaced.



9. Accessories

- Ensure that all reflectors are properly fitted and not obscured.
- Ensure all other fittings on the bike are properly and securely fastened, and functioning.
- Ensure the rider is wearing a helmet.



10. Motor Drive Assembly and Throttle

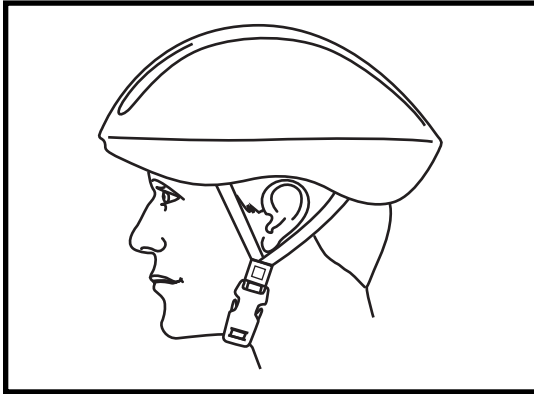
- Ensure all motor drive components are correctly mounted and functioning properly.



11. Battery Pack

- Ensure the batteries are in good operation condition and kept fully charged.





Helmets

It is strongly advised that a properly fitting, ANSI or SNELL approved, bicycle safety helmet be worn at all times when riding your bicycle. In addition, if you are carrying a passenger in a child safety seat, they must also be wearing a helmet.

The correct helmet should:

- be comfortable
- be lightweight
- have good ventilation
- fit correctly
- cover forehead



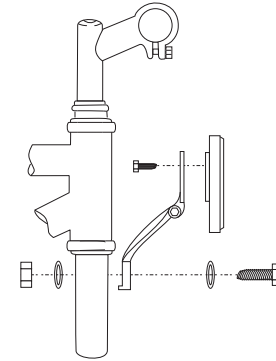
Always wear a properly fitted helmet which covers the forehead when riding a bicycle. Many states require specific safety devices. It is your responsibility to familiarize yourself with the laws of the state where you ride and to comply with all applicable laws, including properly equipping yourself and your bike as the law requires. Reflectors are important safety devices which are designed as an integral part of your bicycle. Federal regulations require every bicycle to be equipped with front, rear, wheel, and pedal reflectors. These reflectors are designed to pick up and reflect street lights and car lights in a way that helps you to be seen and recognized as a moving bicyclist. Check reflectors and their mounting brackets regularly to make sure they are clean, straight, unbroken and securely mounted. Have your dealer replace damaged reflectors and straighten or tighten any that are bent or loose.

Reflectors

Your bicycle is supplied with one front (white), one rear (red), two wheel (white), and four pedal (orange) reflectors. (Please Note: Sidewalk bikes, 12" and under, may not have reflectors.) These are an important safety and legal requirements, and should remain securely fitted and in good, clean condition at all times. Periodically inspect all reflectors, brackets and mounting hardware for signs of wear or damage. Replace immediately if damage is found. Some bicycles will require you to install your reflectors onto your bicycle. Please refer to the following section for instructions on all the types of bicycle reflectors.

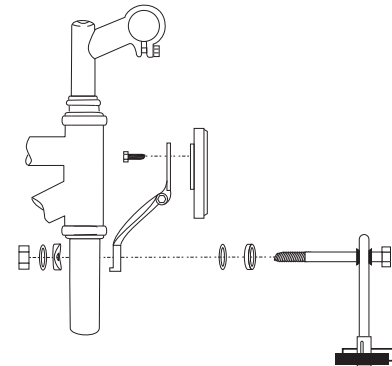
Fork Mount Reflector Bracket Assembly

First insert one washer onto the hex bolt and insert hex bolt through the reflector bracket and then through the fork. Next, insert a second washer onto the bolt and thread a hex nut onto the bolt behind the fork. Tighten bolts until snug, making sure the reflector is in an upright position. See diagram at the right.



Front Reflector Mount with Caliper Brake Assembly

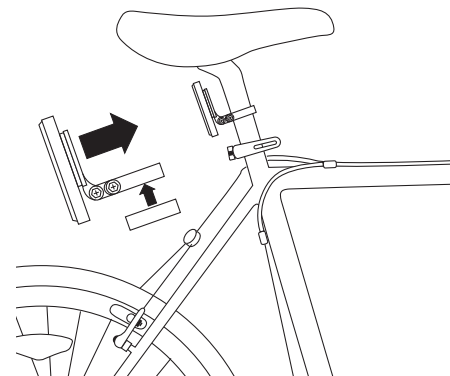
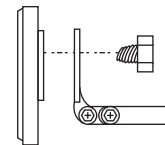
First remove the hex nut from the back of the fork and pull the brake from the fork. Insert a spacer, washer and the reflector bracket on to the caliper bolt. Insert the caliper bolt back into the fork and secure firmly with a concave spacer, washer and the hex nut. Finally, adjust the reflector such that it is in an upright position. See diagram at the right.





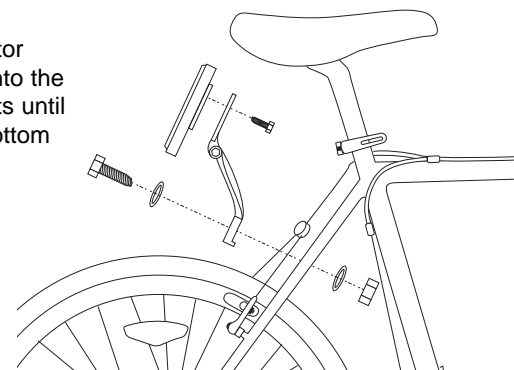
Seat and Handlebar Mounting Reflectors

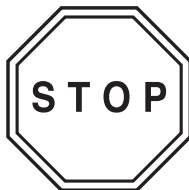
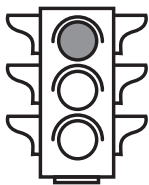
First attach the reflector to the reflector bracket with the reflector screw, see the top diagram. Next, remove the clamp screw and open the clamping reflector bracket. Place clamping reflector bracket around the handlebar or seatpost. If the clamp is too loose, insert a rubber spear inside of the clamp. Tighten the clamp screw to hold reflector assembly in place, see the second diagram. Finally, adjust the reflector assembly in place and ensure that it is upright and facing away from the bike.



Seatstay Mount Reflector Bracket Assembly

First insert one washer onto the hex bolt and insert hex bolt through the reflector bracket and then through the seatstay bridge. Next, insert a second washer onto the bolt and thread a hex nut onto the bolt behind the seatstay bridge. Tighten bolts until snug, making sure the reflector is in an upright position. See diagram at the bottom right.





RIDING SAFELY

General Rules

When riding obey the same road laws as all other road vehicles, including giving way to pedestrians, and stopping at red lights and stop signs.

For further information, contact the Road Traffic Authority, police department or Department of Motor Vehicles in your State.

Ride predictably and in a straight line. Never ride against traffic.

Use correct hand signals to indicate turning or stopping.

Ride defensively. To other road users, you may be hard to see.

Concentrate on the path ahead. Avoid pot holes, gravel, wet road markings, oil, curbs, speed bumps, drain grates and other obstacles.

Cross train tracks at a 90 degree angle or walk your bicycle across.

Expect the unexpected such as opening car doors or cars backing out of concealed driveways.

Be extra careful at intersections and when preparing to pass other vehicles.

Familiarize yourself with all the bicycle's features. Practice gear shifts, braking, and the use of toe clips and straps, if fitted.

If you are wearing loose pants, use leg clips or elastic bands to prevent them from being caught in the chain or gears. Wear proper riding attire and avoid wearing open toe shoes.

Don't carry packages or passengers that will interfere with your visibility or control of the bicycle. Don't use items that may restrict your hearing.

Do not lock up the brakes. When braking, always apply the rear brake first, then the front. The front brake is more powerful and if it is not correctly applied, you may lose control and fall.

Maintain a comfortable stopping distance from all other riders, vehicles and objects. Safe braking distances and forces are subject to the prevailing weather conditions.

Use designated bicycle paths if possible.





Wet Weather



IT IS RECOMMENDED TO NOT RIDE IN WET WEATHER This hybrid electric bicycle is not meant for use in the water (damp roads, puddles, rain, streams, etc.). Never immerse this product in water as the electrical system may be damaged.

- In wet weather you need to take extra care.
- Brake earlier, you will take up to 6 times longer distance to stop.
- Decrease your riding speed, avoid sudden braking and take corners with additional caution.
- Be more visible on the road.
- Wear reflective clothing and use safety lights.
- Potholes and slippery surfaces such as line markings and train tracks all become more hazardous and more difficult to see when wet.

Night Riding



IT IS RECOMMENDED TO NOT RIDE AT NIGHT

- Ensure bicycle is equipped with a full set of correctly positioned and clean reflectors.
- Refer to page 1 and 101 of this manual.
- Use a properly functioning lighting set comprising of a white front lamp and a red rear lamp.
- If using battery powered lights, make sure batteries are well charged.
- Some rear lights available have a flashing mechanism which enhances visibility.
- Wear reflective and light colored clothing.
- Ride at night only if necessary. Slow down and use familiar roads with street lighting, if possible.

Pedaling Technique

- Position the ball of your foot on the center of the pedal.
- When pedaling, ensure your knees are parallel to the bicycle frame.
- To absorb shock, keep your elbows slightly bent.
- Learn to operate the gears properly. (Refer to pages 26-28)



Hill Technique

- Gear down before a climb and continue gearing down as required to maintain pedaling speed.
- If you reach the lowest gear and are struggling, stand up on your pedals. You will then obtain more power from each pedal revolution.
- On the descent, use the high gears to avoid rapid pedaling.
- Do not exceed a comfortable speed; maintain control and take additional care.

Cornering Technique

Brake slightly before cornering and prepare to lean your body into the corner. Maintain the inside pedal at the 12 o'clock position and slightly point the inside knee in the direction you are turning. Keep the other leg straight, don't pedal through fast or tight corners. While going through the turn, keep your eyes parallel to the horizon and look as far ahead of you as possible.

Please refer to pages 128-130 for braking techniques and pages 130-133 for gear shifting techniques.

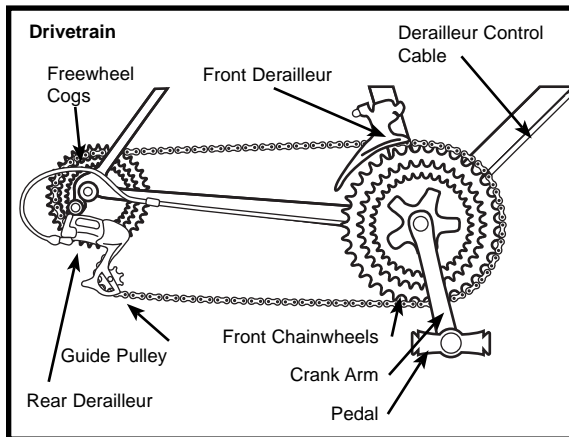
Rules for Children

To avoid accidents, teach children good riding skills with an emphasis on safety from an early age. Children should always be supervised by an adult.

1. Always wear a properly fitted helmet.
2. Do not play in driveways or the road.
3. Do not ride on busy streets.
4. Do not ride at night.
5. Obey all the traffic laws, especially stop signs and red lights.
6. Be aware of other road vehicles behind and nearby.
7. Before entering a street: Stop, look right, left, and right again for traffic. If there's no traffic, proceed into the roadway.
8. If riding downhill, be extra careful. Slow down using the brakes and maintain control of the steering.
9. Never take your hands off the handlebars, or your feet off the pedals when riding downhill.



The Consumer Protection Safety Commission advises that the riding of small wheel diameter bicycles at excessive speeds can lead to instability and is not recommended. Children should be made aware of all possible riding hazards and correct riding behavior before they take to the streets. Do not leave it up to trial and error.



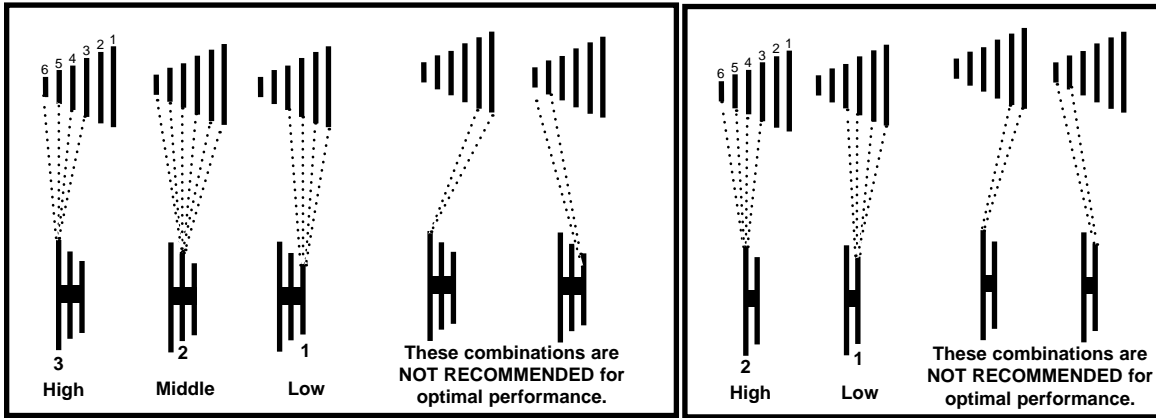
GEARS - HOW TO OPERATE

Derailleur Gears

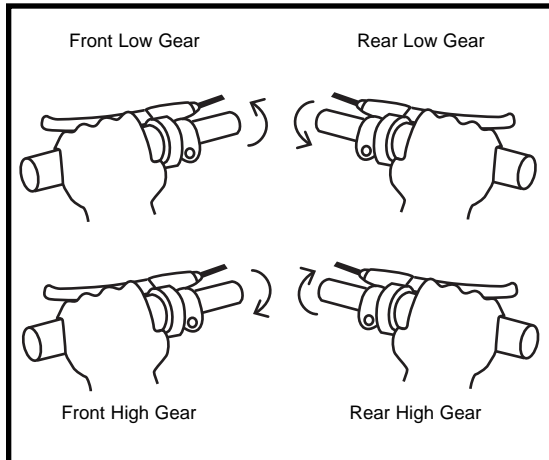
Most multi-speed bicycles today are equipped with what are known as derailleur gears. They operate using a system of levers and mechanisms to move the drive chain between different sized driving gears or cogs. The purpose of gears is to let you maintain a constant, steady pedaling pace under varying conditions. This means your riding will be less tiring without unnecessary straining up hills or fast pedaling down hill. Bicycles come with a variety of gear configurations from 5 to 30 speeds. A 5-6 speed bicycle will have a single front chainwheel, a rear derailleur, and 5 or 6 cogs on the rear hub. Bicycles with more gears will also have a front derailleur, a front chainwheel with 2-3 cogs, and up to 10 cogs on the rear hub.

Operating Principles

No matter how many gears, the operating principles are the same. The front derailleur is operated by the left shift lever and the rear derailleur by the right. To operate you must be pedaling forward. You can not shift derailleur gears when you are stopped or when pedaling backwards. Before shifting ease up on your pedaling pressure. For a smooth gear change when approaching a hill, shift to a lower gear BEFORE your pedaling speed slows down too much. When coming to a stop, shift to a lower gear first so it will be easier when you start riding again. If, after selecting a new gear position, you hear a slight rubbing noise from the front or rear gears, some adjustments may be necessary. Gently adjust the appropriate shifter using the barrel adjusters until the noise goes away. For optimal performance and extended chain life, it is recommended that you avoid using the extreme combinations of gear positions (Refer to diagram on page 25) for extended periods. It is recommended that a trained bicycle technician perform all adjustments to the shifters and derailleurs.



Recommended Chainwheel/Rear Sprocket Gear Combinations



Hand Grip Shifters

Some bicycles are now being equipped with a shifting mechanism called Grip Shift™, which is built into the handlebar grips and does not make use of separate levers. The actuating mechanism is built into the inside part of the grip that the web of the thumb and index finger closes around. To select a lower gear, twist the right shifter toward you to engage a larger rear cog. You can shift one gear at a time by moving the Grip Shift™ one click, or through multiple gears by continued twisting. By twisting the left shifter forward or away from you, a smaller chainwheel can be selected. To select a higher gear, twist the right shifter forward or away from you to engage a smaller rear cog. To engage a larger front chainwheel, twist the left shifter towards you. Single shifts can be achieved by twisting one click at a time and multiple shifts by larger twists.

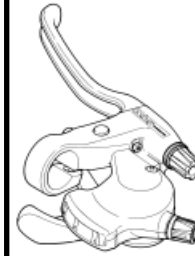




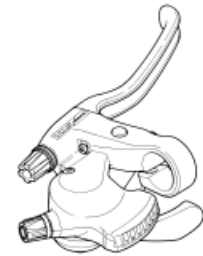
Below the Bar Shifters

Many mountain style bicycles now use a shift lever arrangement mounted on the underside of the handlebars, which use two levers operated by the thumb and index finger. To select a lower gear push the larger (lower) right shifter with your thumb to engage a larger rear cog. One firm push shifts the chain one cog, continuing to push will move the chain over multiple cogs. Pulling the smaller (upper) left shifter with your index finger moves the chain from a larger to a smaller chainwheel. To select a higher gear pull the smaller (upper) right lever with your index finger to engage a smaller rear cog. Pushing the larger (lower) left lever with your thumb will move the chain from a smaller to a larger chainwheel. Please refer to pages 130-133 for additional instructions in "How Things Work".

Left hand lever



Right hand lever



BICYCLE CARE

Basic Maintenance

The following procedures will help you maintain your hybrid electric bicycle for years of enjoyable riding.

Properly maintain the batteries by keeping them fully charged when not in use.

Do not ride your hybrid electrical bicycle in the water (damp roads, puddles, rain, streams, etc.) and never immerse it in water as the electrical system may be damaged.

Periodically check the wiring and connectors to ensure there is no damage and the connectors had good continuity.

For painted frames, dust the surface and remove any loose dirt with a dry cloth. To clean, wipe with a damp cloth soaked in a mild detergent mixture. Dry with a cloth and polish with car or furniture wax. Use soap and water to clean plastic parts and rubber tires. Chrome plated bikes should be wiped over with a rust preventative fluid.

Store your bicycle under shelter. Avoid leaving it in the rain or exposed to corrosive materials.

Riding on the beach or in coastal areas exposes your bicycle to salt which is very corrosive. Wash your bicycle frequently and wipe or spray all unpainted parts with an anti-rust treatment. Make sure wheel rims are dry so braking performance is not affected. After rain, dry your bicycle and apply anti-rust treatment.

If the hub and bottom bracket bearings of your bicycle have been submerged in water, they should be taken out and re-greased. This will prevent accelerated bearing deterioration.

If paint has become scratched or chipped to the metal, use touch up paint to prevent rust. Clear nail polish can also be used as a preventative measure.

Regularly clean and lubricate all moving parts, tighten components and make adjustments as required. (Refer to Parts 5 and 6 of this manual for further details).

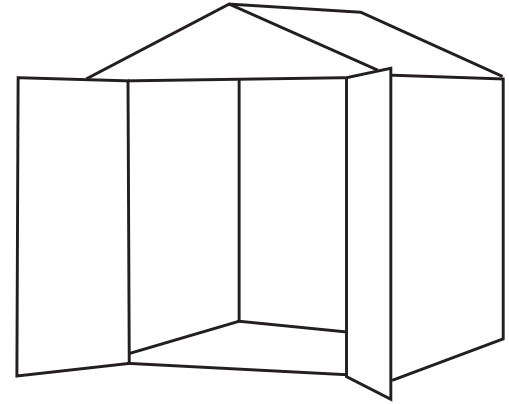
The use of alloy components and BED, SATIN and TITANIUM surface treatments minimizes the number of places where rust can surface.





Storage

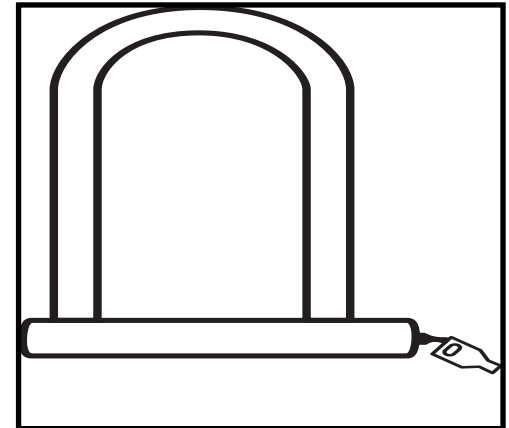
Keep your bicycle in a dry location away from the weather and the sun. Direct sunlight may cause paint to fade or rubber and plastic parts to crack. Before storing your bicycle for a long period of time, clean and lubricate all components and wax the frame. Deflate the tires to half pressure and hang the bicycle off the ground. Don't cover with plastic as "sweating" will result which may cause rusting. Please notice that your bicycle warranty does not cover paint damage, rust, corrosion, dry rot or theft.



Security

It is advisable that the following steps be taken to prepare for and help prevent possible theft.

1. Maintain a record of the bicycle's serial number, generally located on the frame underneath the bottom bracket or on the head tube.
2. Register the bicycle with the local police.
3. Invest in a high quality bicycle lock that will resist hack saws and bolt cutters. Always lock your bicycle to an immovable object if it is left unattended.



ELECTRONIC COMPONENTS

Battery Gauge

When the throttle or sensor is engaged (powering the motor) and the bicycle is in motion, the LED's on the battery gauge (on the throttle or separate unit) indicate instantaneous line voltage as measured at the battery terminals -- and not the available energy in the battery pack.

The line voltage will fluctuate depending on the instantaneous load that the motor is under. For example, when starting out from a dead stop, or going up a steep hill, the motor will be under a high load and may show a reduced number of LED's or show the "Yellow" or even "Red" LED.

When the throttle is disengaged (i.e. no power to the motor due to the bicycle being stationary or coasting) the LED's on the throttle will indicate the voltage of the battery pack. The voltage of the battery pack will rise when no load is on the motor. The best indication of how much battery life is remaining is to check the throttle LED's, after reaching cruising speed, on a flat straight road as this will allow the battery voltage to stabilize and give a much more accurate reading.



TAG Throttle with Battery Gauge



PAS / TAG with Battery Gauge



Battery Gauge





Battery Gauge with Power Adjuster

This unit is featured on the Enlightened series of bicycles. Not only does it act like a battery gauge but it also enables the rider to vary the level of power assistance (1 LED = least amount of power assistance, 5 LED's = maximum amount of power assistance).

Press the "+" button to increase the amount of power assistance (Note that this will also decrease the range of the bicycle because more battery power is being used).

Press the "-" to decrease the amount of the power assistance (Note that this will also increase the range of the bicycle because less battery power is being used).

Battery Terminal Covers

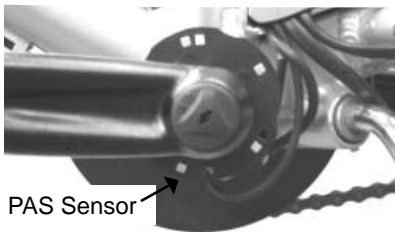
Bicycles with Rack Mount Batteries are equipped with battery terminal cover(s) (see photo). These protect the battery terminals from debris and water when the terminal is not in use (i.e. when the battery(s) is removed from the bike).

These battery terminal covers need to be removed in order for the battery to make contact with terminals.

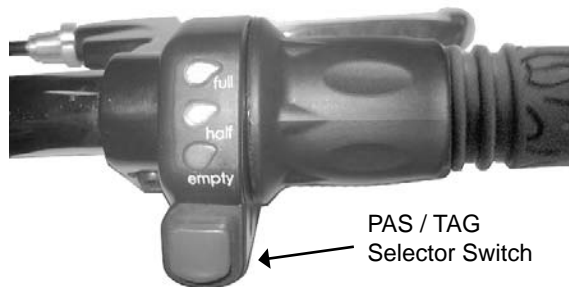




TAG Throttle



PAS Sensor



PAS / TAG
Selector Switch

Throttles

Throttles are equipped on some models of electric bicycles. Throttles operate by rotating the throttle towards the rider much like a motorcycle. They generally are the inner half of the right side handlebar grip and may also contain a battery gauge. The more you twist the throttle, the faster the motor system will propel the bicycle.

TAG (Twist and Go)

Before you begin riding, turn the main power switch on, then start riding as you would ride any regular, non motor assisted bicycle. After you have begun to ride, slowly twist the throttle (on equipped models) towards you. The more you twist the throttle, the more motor power will be applied to the wheels. You may feel the pedals get a “lighter” feel than riding without the motor assisting you. Once you have twisted the throttle all the way, the motor will accelerate you to its full speed of about 15mph (24 km/h).

PAS (Pedal Activated System)

Electric bicycles with this system have a throttle that is only active when the pedals are in a forward motion. A sensor ring on the bottom bracket spindle rotates and a sensor reads this rotation.

Begin by first riding as if you are on a normal non-electric bicycle, then while the pedals are in motion slowly twist the throttle towards you to activate the motor power.

PAS / TAG throttle switch (if equipped)

The type of system enables the rider to select between the PAS and TAG modes via the red thumb button. Refer to the TAG and PAS sections to find out how these modes work. Note: When using the TAG mode you will use more battery power and thus shorten range of the bicycle.





Torque Sensors

Electric bicycles with this system have no throttle. They must be pedaled like a normal bicycle in order to engage the motor drive system.

PTS (Pedal Torque Sensor)

Electric bicycles with this system have no throttle. They must be pedaled like a normal bicycle in order to engage the motor drive system.

Begin by first riding the bicycle normally as if it were not an electric bicycle. Naturally as you accelerate and push harder on the pedals, the motor system will increase its force to help you.

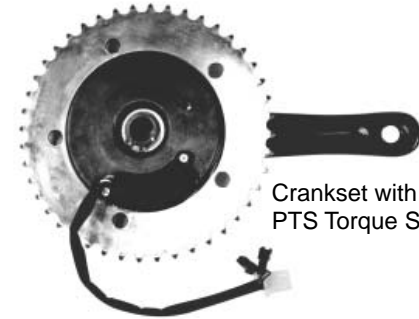
If you are ascending a hill and pushing the pedals hard, the motor will assist you by pushing proportionately with your pedaling force. If you are descending a hill and putting very little force on the pedals, the motor will also not be pushing very much.

TMM4 (Frame Torque Sensor)

Electric bicycles with this system have no throttle. They must be pedaled like a normal bicycle in order to engage the motor drive system.

Begin by first riding the bicycle normally as if it were not an electric bicycle. Naturally as you accelerate and push harder on the pedals, the motor system will increase its force to help you.

If you are ascending a hill and pushing the pedals hard, the motor will assist you by pushing proportionately with your pedaling force. If you are descending a hill and putting very little force on the pedals, the motor will also not be pushing very much.



Crankset with
PTS Torque Sensor



TMM4 Sensor

Taking Care of Your Batteries

Proper maintenance of the batteries will maximize their lifespan and available ride time. Currie Technologies® warrants your new batteries from the date of purchase but only if properly cared for. Refer to the limited warranty for details.

- Currie uses SLA (Sealed Lead Acid), NiMH (Nickel Metal Hydride) or Li-Ion (Lithium Ion) batteries in all of our electric bicycles. These are all very user friendly types of batteries when cared for properly
- Batteries should be fully charged immediately when they are received for the recommended charge times. **FULLY CHARGE BATTERIES BEFORE FIRST USE.** Below are the recommended charge times for each type of batteries.
 - Li-Ion (Lithium Ion) batteries 4-6 hours
 - NiMH (Nickel Metal Hydride) 4-6 hours
 - SLA (Sealed Lead Acid) batteries 6-8 hours
- Charge batteries at least every 90 days for NiMH & Li-Ion and every 30 days for SLA until normal use is resumed.
- Always store bicycle with fully charged batteries.
- Never charge the batteries for more than 24 hours.
- Always disconnect the charger from the wall outlet and bicycle when charging is complete (as indicated by the status on the charger) before storing the bicycle.
- **Do not store batteries below 50° Fahrenheit and never allow batteries to freeze (below 32° Fahrenheit).**
- Bikes are equipped with a 5 minute sleep mode. If no activity is detected after 5 minutes the bike will go into stasis mode to conserve the batteries. To restart, cycle the power switch Off then On. **Bikes are not to be stored in the 5 minute sleep mode. Be sure to turn the power switch "OFF" when the bike is not in use.**
- Always be sure to turn the bike "OFF" after each use via the On/Off power switch. If you have left the power switch on or your product has not been charged for a long period of time, the batteries may reach a stage at which it will no longer hold a charge.
- Be friendly to the environment! Be sure to recycle your old batteries at a local battery recycling center. Do not throw them in the garbage!
- Frequent "stops and starts" will drain a battery more quickly than sustained, long-term use
- Even with proper care, rechargeable batteries does not last forever. Average battery life depends on use and conditions.



Electric Bikes with Seat Tube Mounted Battery (STB) Packs - Remove the power cable from the charger port and attach charger.



Electric Bikes with Rack Mounted Battery (RMB) Packs - Lift the battery pack handle to expose the charger port and attach charger.



Electric Bikes with internal battery packs - Rotate the charger port cover and attach charger.





Battery FAQ's

Q: Do I need to charge the batteries before using them?

A: Yes, you should charge the batteries fully before first using them.

Q: What is conditioning (NiMH only)?

A: The conditioning process is performed by first draining the batteries and then charging them fully. Conditioning is recommended for every ten to twenty charges.

Q: Do I need to "break-in" my batteries?

A: Yes, the batteries used in the Currie Hybrid Electric Bicycles will need to have a "break-in" cycle consisting of ~ three discharge/charge cycles before they will reach optimum performance. This involves three complete discharges and three complete recharges. After this initial "break-in" cycle the batteries will have maximum possible performance and less line voltage fluctuations under load.

Q: How long will the batteries hold their charge?

A: All batteries will self-discharge when not in use. The self-discharging rate depends on the temperature at which they are stored. Excessively cold or hot storage temperatures will drain the batteries faster than normal. Ideally the batteries should be stored at room temperature.

Q: Why should I recharge my batteries at least every 90 days (NiMH & Li-Ion) and every 30 days (SLA) when I am not using them?

A: Batteries naturally lose their charge over time. To keep the batteries in optimal condition and extend their life, it is recommended that a top-off recharge be performed at least every 90 days for NiMH & Li-Ion batteries and at least every 30 days for SLA batteries.

Q: What happens if I leave the power switch on longer than 5 minutes?

A: Currie bikes are equipped with a 5 minute shut-off mode. If no activity is detected after 5 minutes the bike will turn itself off to protect the batteries. To restart, cycle the power switch (OFF then ON). If you have left the power switch on or your product has not been charged for a long period of time, the batteries may reach a stage at which it will no longer hold a charge.

Q: Will I get more performance from my bike if I leave the batteries to charge longer?

A: No, once the batteries are fully charged (as indicated by the light on the charger) it is best to unplug them from the charger. Leaving the batteries charging longer than necessary is called “overcharging” and will not increase performance. Currie-supplied chargers are designed to avoid over-charging a battery. Still we recommend that you always unplug a charger after the unit is fully charged to avoid the possibility of unanticipated circumstances such as an unexpected power surge from a lightning strike (or other power line anomaly) potentially causing damage. Only use Currie-supplied chargers.

Q: Is it normal that the batteries get warm when recharging?

A: Yes, it is normal that the batteries will become warm to the touch during the recharging process. This is because the increase of internal resistance and less energy conversion efficiency from electric energy to chemical energy.

Q: How long will my batteries last before needing replacement?

A: Average battery life depends on use and conditions. Even with proper care, rechargeable batteries does not last forever.





Charger

The hybrid electric bicycle comes with its own "Smart Charger" that connects with an easy-access charger port for recharging the batteries. This charger unit has lights that show the battery charge status. Refer to the instructions that appear on the charger unit and its instructions.

Batteries work best when they have a full charge, so always be sure to recharge them fully after each ride. If you leave them in a run-down condition, without recharging them, it will shorten their life expectancy.

- Li-Ion (Lithium Ion) batteries - charge for 4-6 hours for full charge
- NiMH (Nickel Metal Hydride) batteries - charge for 4-6 hours for full charge
- SLA (Sealed Lead Acid) batteries - charge for 6-8 hours for full charge

The charger may get warm to the touch, so make sure you charge them in an open area and do not lay anything on the charger unit while charging. Although you cannot over-charge the batteries using the Currie "Smart Charger", we recommend that you do not leave the charger plugged in for more than 24 hours.

If your charger shows a solid green light after charging for a short period of time, your battery may have been only partially discharged (short ride), or this may be the sign of a partially worn out battery with reduced storage capacity. Continue charging for the full time, to cover all the bases. If the battery still has not charged, you may need to replace it.

Even with proper care, a rechargeable battery does not last forever. Average battery life depends on use and conditions.



The charger and charger port should be regularly inspected for damage (cord, plug, enclosure, etc.). If damage is found stop using until the damaged part can be repaired or replaced.

How to use the NiMH and Li-Ion Chargers

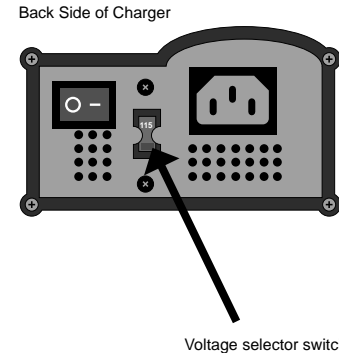
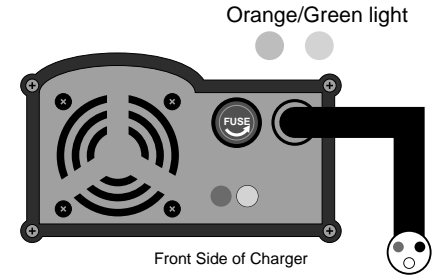
! Before using the charger locate the voltage selector switch (NiMH and Li-Ion chargers only) on the back of the charger. Select either 115 Volts or 230 Volts depending on the country you reside in. Using the wrong voltage setting will permanently damage the charger and/or electrical components on the hybrid electric bicycle.

1. Plug the charger into the outlet and turn the charger "ON" via the switch on the back side. The red power light on the front of the charger will illuminate when the charger is working properly.
2. Insert the XLR plug (round plug with 3 pins) into the charger port on the bike being sure the charger plug is fully seated in the charger port. The second light will start to flash orange for several seconds while the charger is "seeking" the battery.
3. Once the charger has "found" the battery the blinking orange light will stop flashing and turn solid orange and the cooling fan will start. At this point the charge process has begun.
4. Once the battery reaches full charge, the orange light will turn solid green.
5. When charging is complete, unplug the charger from the wall before removing it from the charger port.

Charge for the full time. If the battery still has not charged, you may need to replace it.

! Use only Currie Authorized Li-Ion chargers with bicycles equipped with Li-Ion batteries. Using any other charger will damage the batteries and void your warranty.

! Use only Currie Authorized NiMH chargers with bicycles equipped with NiMH batteries. Using any other charger will damage the batteries and void your warranty.





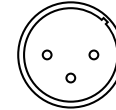
How to use the SLA Chargers (standard)

1. Plug the charger into the outlet. The indicator light on the top of the charger will illuminate when the charger is working properly. Refer to the sticker on the charger for actual status light indication.
2. Insert the plug (XLR, 2v1h or 3v) into the charger port on the bike being sure the charger plug is fully seated in the charger port. The light should be solid red or blinking green to indicate charging however you will need to refer to the sticker on the charger for actual status light indication.
3. Once the battery reaches full charge, the light will return to solid green however you will need to refer to the sticker on the charger for actual status light indication.
4. When charging is complete, unplug the charger from the wall before removing it from the charger port.

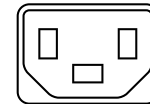
Charge for the full time. If the battery still has not charged, you may need to replace it.



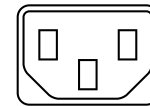
Example of SLA Charger
w/ XLR Plug



XLR Plug



2v1h Plug



3v Plug



Use only Currie Authorized SLA chargers with bicycles equipped with SLA batteries. Using any other charger will damage the batteries and void your warranty.

Main Power Switches

STANDARD POWER SWITCHES

The power switch may be located, depending on the model of bike, in the following locations

- On the battery pack itself (CX and STB Series)
- On the side of the downtube (Enlightened Series)
- On the side of the controller box (RMB Series 2007)
- On the backside of the rack behind the rear reflector (RMB Series 2008-)

Be sure to turn the switch off whenever you are not using the bicycle or when charging the bicycle.

DUAL POWER SWITCHES

Bikes with dual rack mounted battery packs (RMB 2007 and RMB 2008) are also equipped with a dual power switch. This switch has two "ON" positions that corresponds to the two battery packs. The switch is "OFF" when placed at the center position.



ON 1
|
OFF
|
ON 2

KEY LOCK POWER SWITCHES

Certain bicycles (ex. HG1000) are equipped with a key lock power switch. This feature provides added security allowing only the person with the key to turn the power on or off. This key lock switch has the same function as a standard power switch.



CX Bicycles



STB Bicycles



Enlightened Bicycles



RMB Bicycles (2007)



Key Lock Power Switch



RMB Bicycles (2008-)





Fuses

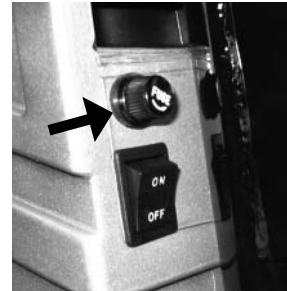
All Currie Technologies® Hybrid Electric Bicycles are equipped with fuses. The fuse may be located, depending on the model of bike, in the following locations

- CX Series (40a glass type fuse) - On the battery pack, externally accessible
- RMB Series (40a glass type fuse) - On the backside of the battery pack, externally accessible
- STB Series (24v, 40a glass type fuse) - Inside the battery, must open the battery pack to access
- STB Series (36v, 40a glass type fuse) - On the battery pack, externally accessible
- Enlightened Series (NiMH, 30a blade type fuse) - inside the bottom end of the downtube, remove downtube cap to access
- Enlightened Series (Li-Ion, 30a blade type fuse & 5a blade type fuse) - inside the bottom end of the downtube, remove downtube cap to access

In the event of an overload the fuse will pop and need to be replaced. In this instance replace only with approved part from Currie Technologies®



Risk of fire. Do not bypass fuse.



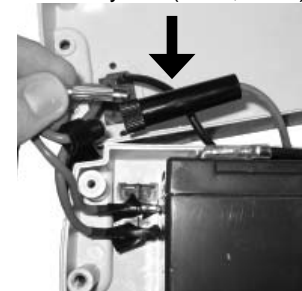
CX Bicycles



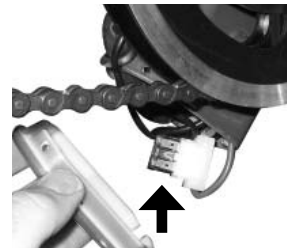
RMB Bicycles (2007, 2008)



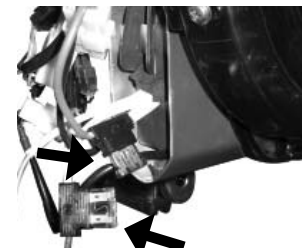
STB Bicycles (36v)



STB Bicycles (24v)



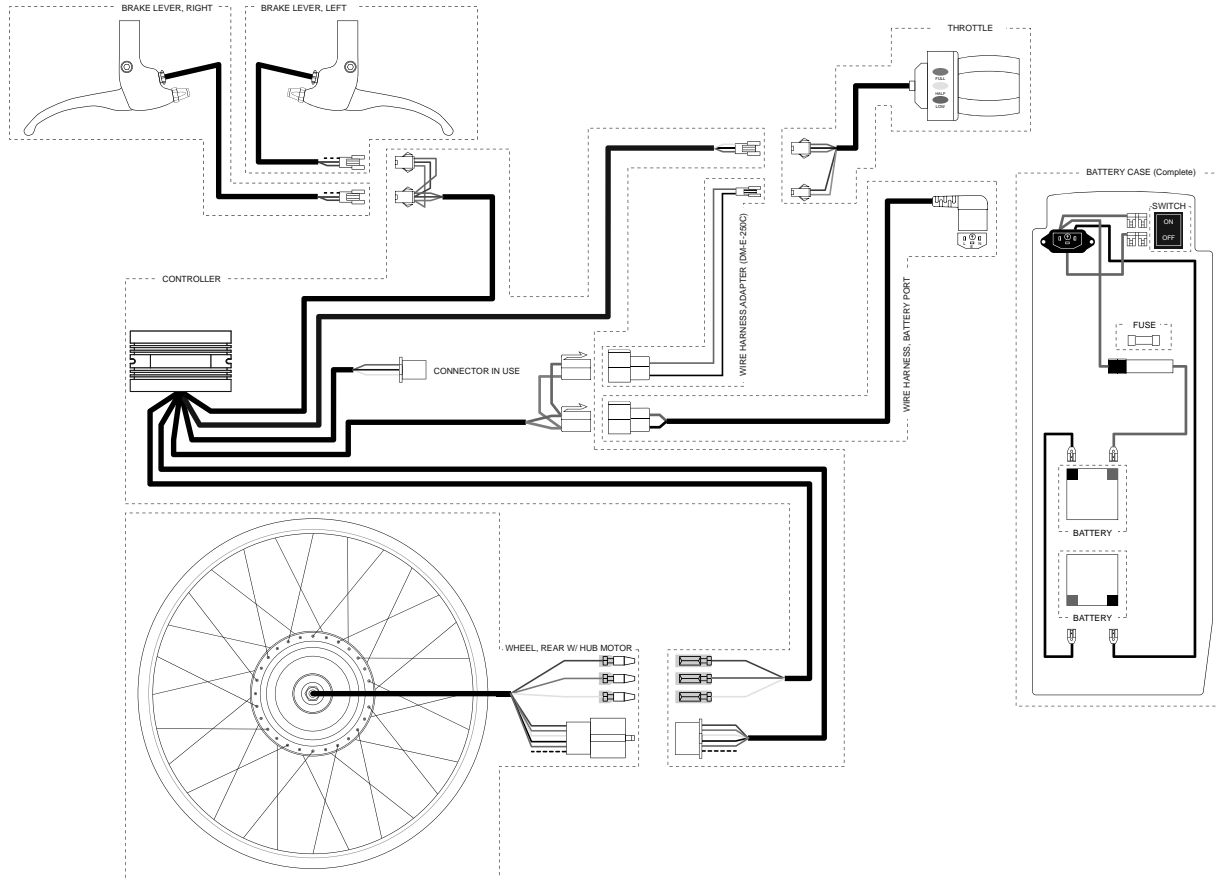
Enlightened Series (NiMH)



Enlightened Series (Li-Ion)

Wiring Diagram - Via Mezza (TAG system) w/ STB Bicycles

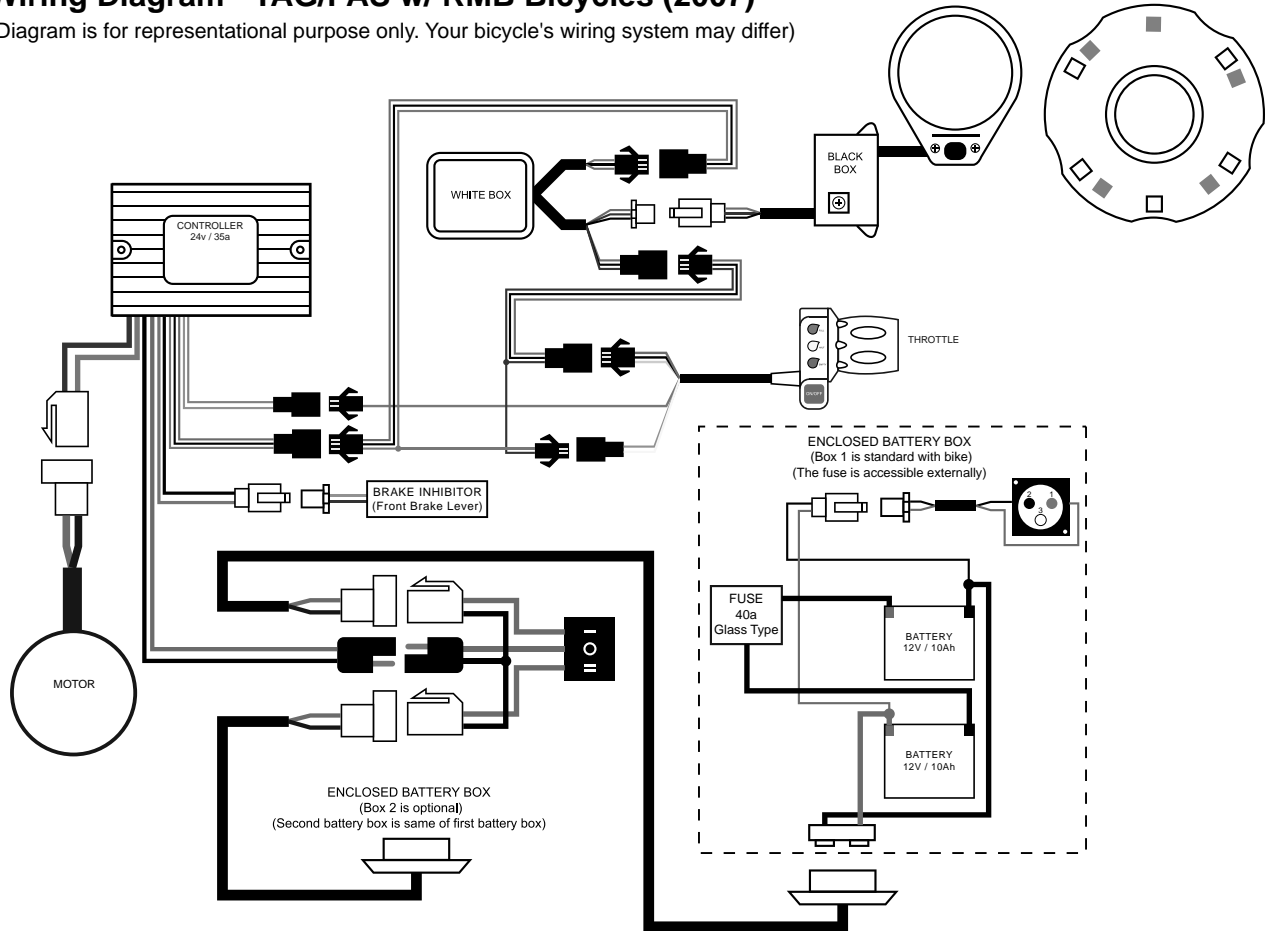
(Diagram is for representational purpose only. Your bicycle's wiring system may differ)





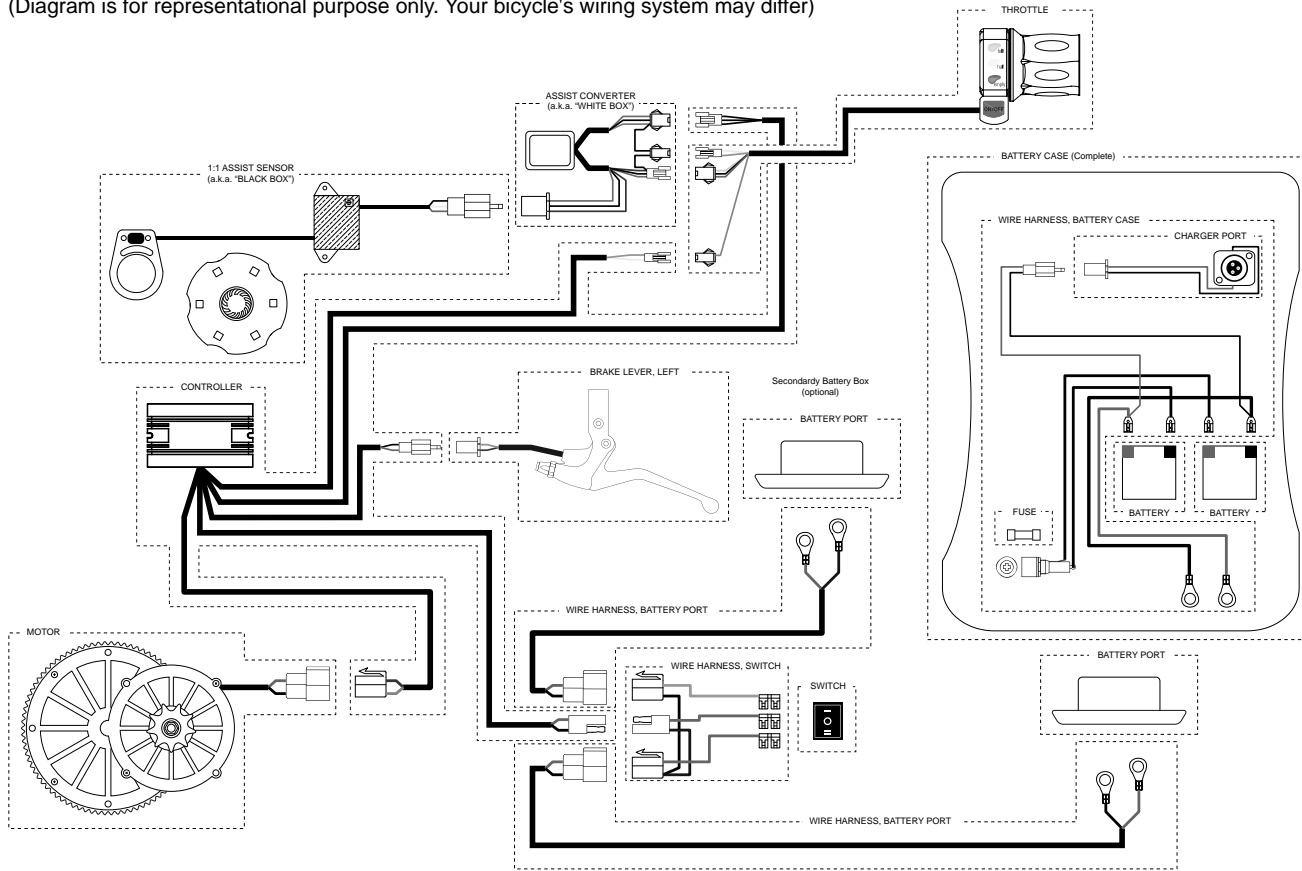
Wiring Diagram - TAG/PAS w/ RMB Bicycles (2007)

(Diagram is for representational purpose only. Your bicycle's wiring system may differ)



Wiring Diagram - TAG/PAS w/ RMB Bicycles (2008-)

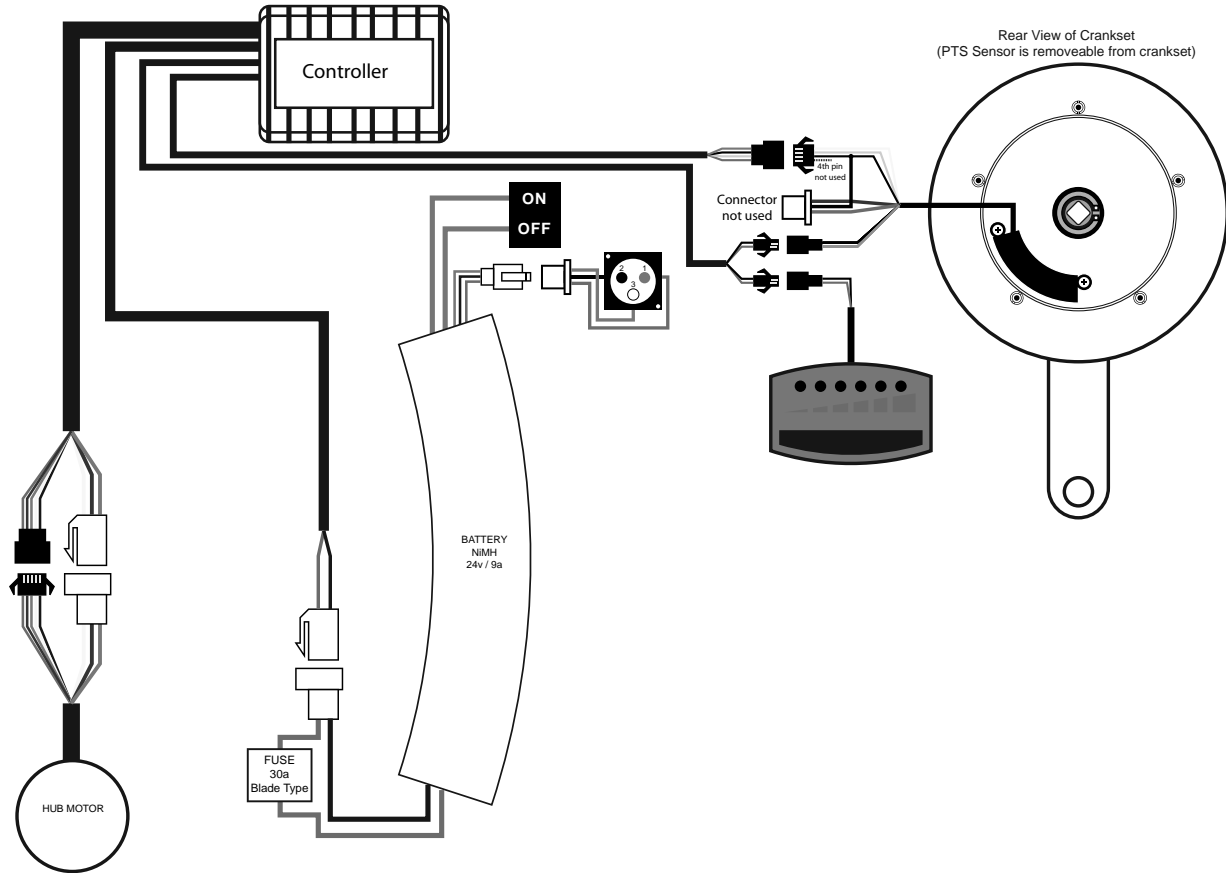
(Diagram is for representational purpose only. Your bicycle's wiring system may differ)





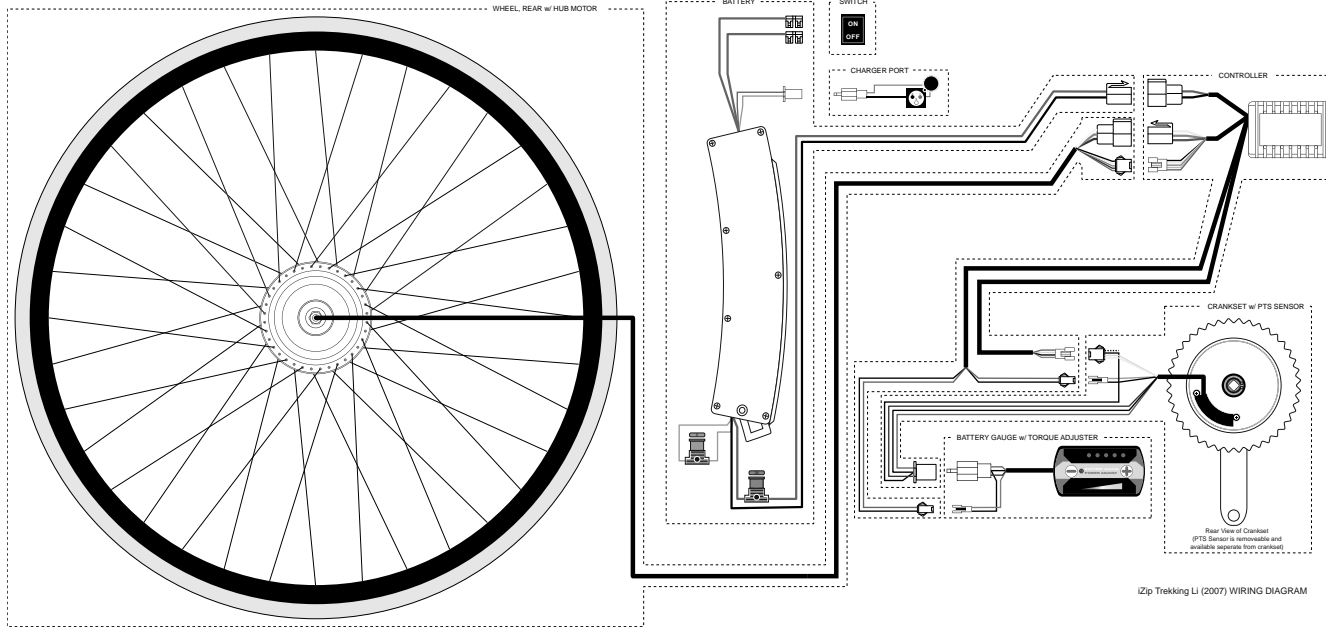
Wiring Diagram - PTS w/ NiMH Battery Bicycles

(Diagram is for representational purpose only. Your bicycle's wiring system may differ)



Wiring Diagram - PTS w/ Li-Ion Battery Bicycles

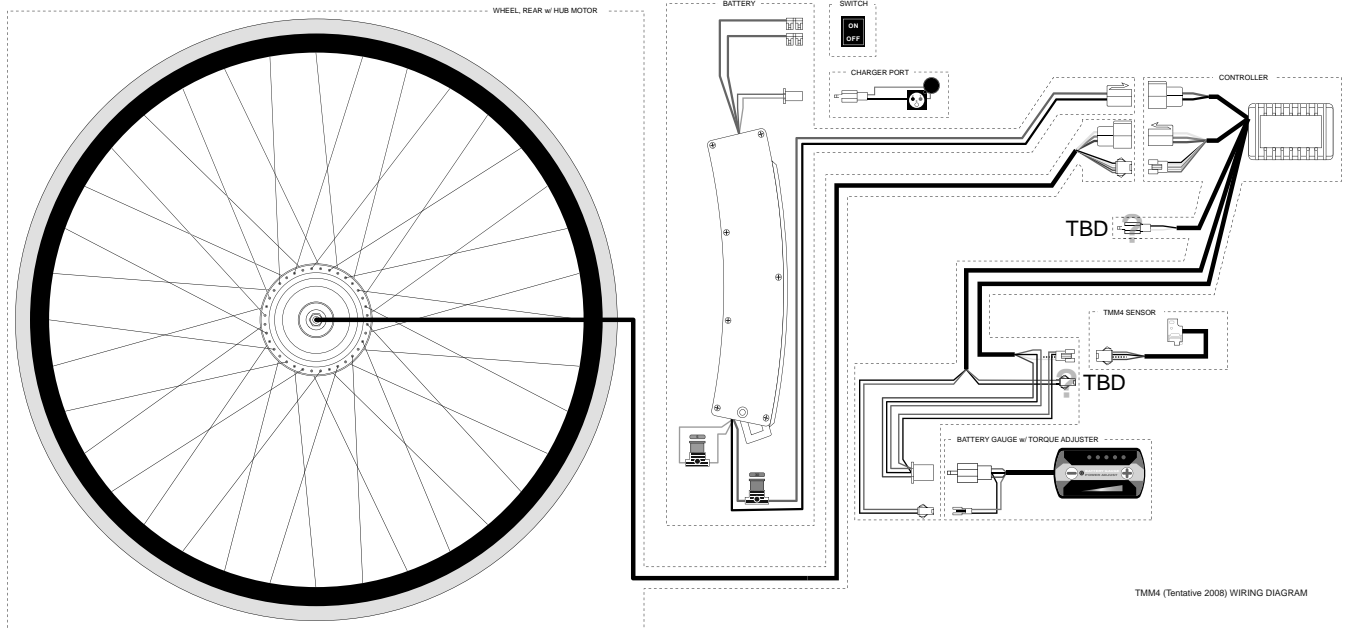
(Diagram is for representational purpose only. Your bicycle's wiring system may differ)





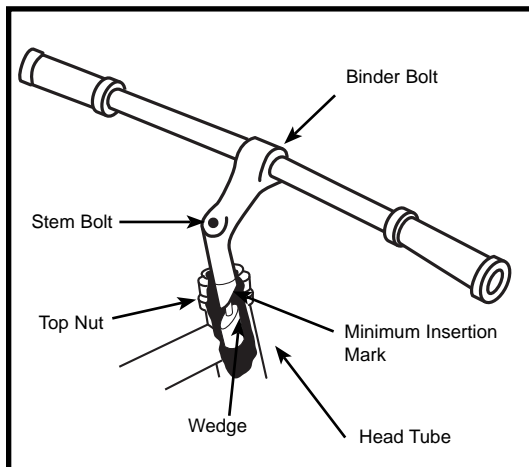
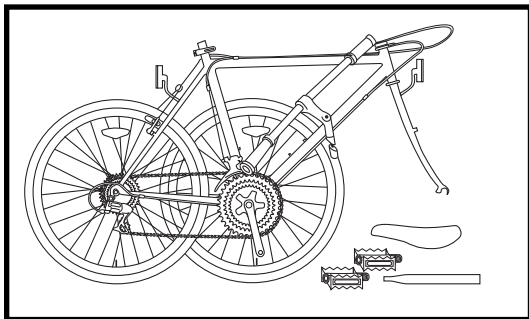
Wiring Diagram - TMM4 w/ Li-Ion Battery Bicycles

(Tentative diagram is for representational purpose only. Your bicycle's wiring system may differ)



DERAILLEUR GEARED BICYCLES

Includes 20", 24" and 26" Wheel Mountain Bikes
assembly is the same for men's and women's bikes.



We recommend that you consult a bicycle specialist if you have doubts or concerns as to your experience or ability to properly assemble, repair, or maintain your bicycle.

Getting Started

Open the carton from the top and remove the bicycle. Remove the straps and protective wrapping from the bicycle. Inspect the bicycle and all accessories and parts for possible shortages. It is recommended that the threads and all moving parts in the parts package be lubricated prior to installation. Do not discard packing materials until assembly is complete to insure that no required parts are accidentally discarded. Assemble your bicycle following the steps that pertain to your model. Note: Your bicycle may be equipped with different style components than the ones illustrated.

Handlebars

Remove the protective cap from the handlebar stem wedge and loosen the Allen key bolt using the 6mm Allen key. Some models may use a 13mm hexagonal bolt instead of an Allen key bolt. Place the handlebar stem into the top of the head tube, ensuring that all cables are free of tangles. Tighten the stem bolt observing the minimum insertion mark and checking that the forks and the handlebars are facing forward. Check the headset for smooth rotation and that the top nut is secured tightly. Loosen the 6mm Binder Bolt and rotate the handlebar forward so the levers are at a 45 degree angle below the handlebar. Retighten the Binder Bolt to ensure the handlebar does not rotate in the stem.

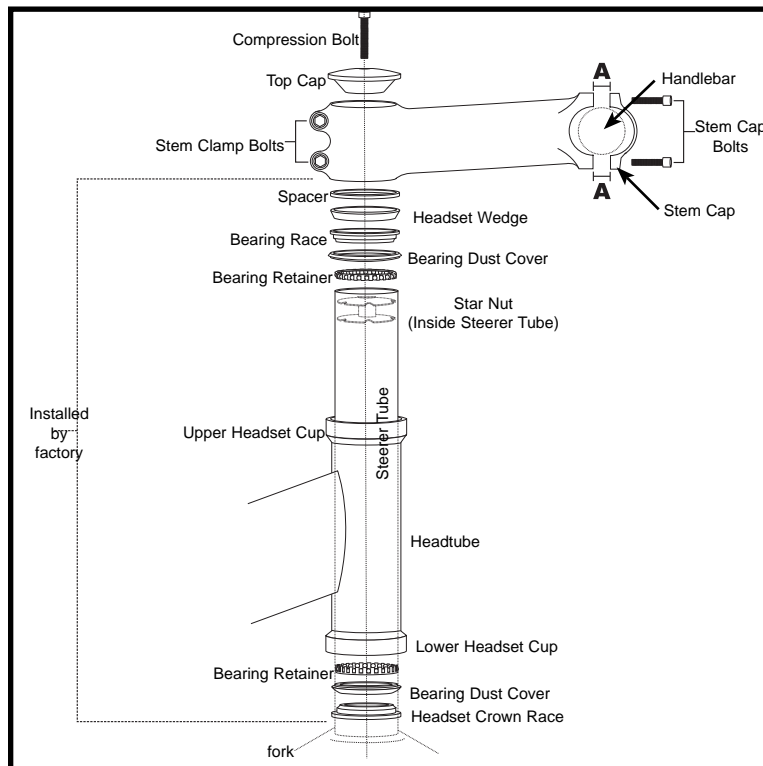


Warning: Over tightening the stem bolt or headset assembly may cause damage to the bicycle and/or injury to the rider.





NOTE: Some models of bicycles may be equipped with a stem that has an adjustable angle. In addition to the normal assembly, these stems will require angling the stem to the desired position, and securely tightening the 6mm Allen bolt located underneath the stem. Failure to do this may cause loss of steering control.



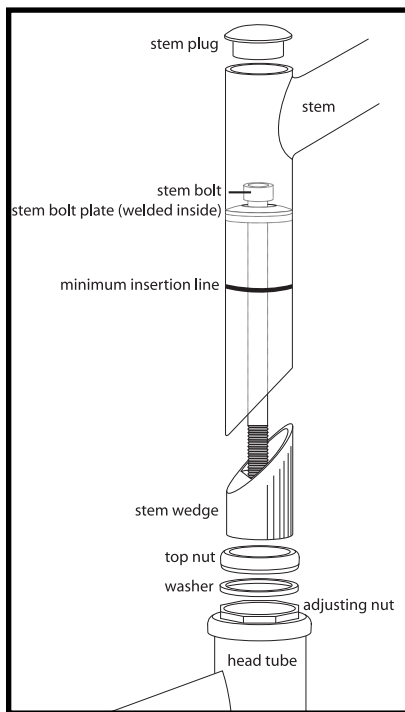
Tightening/Preloading Aheadset

Stem Installation (Should be assembled on the bike already)

1. Insert the compression bolt through the top cap and the stem. Begin threading into the star nut.
2. Tighten compression bolt so it removes all play from the fork, but allows the fork to rotate smoothly.
3. Align the stem with the front wheel. Tighten the stem clamp bolts to secure the stem to the steerer tube.

Handlebar Installation

1. Remove the stem cap bolts and stem cap.
2. Insert handlebar into the stem cap.
3. Tighten the stem cap bolts equally. Note the distance between the stem and stem cap: It should be equal on the top and bottom of the stem cap. "A" must be equal distance.



Standard Stem Bolt System

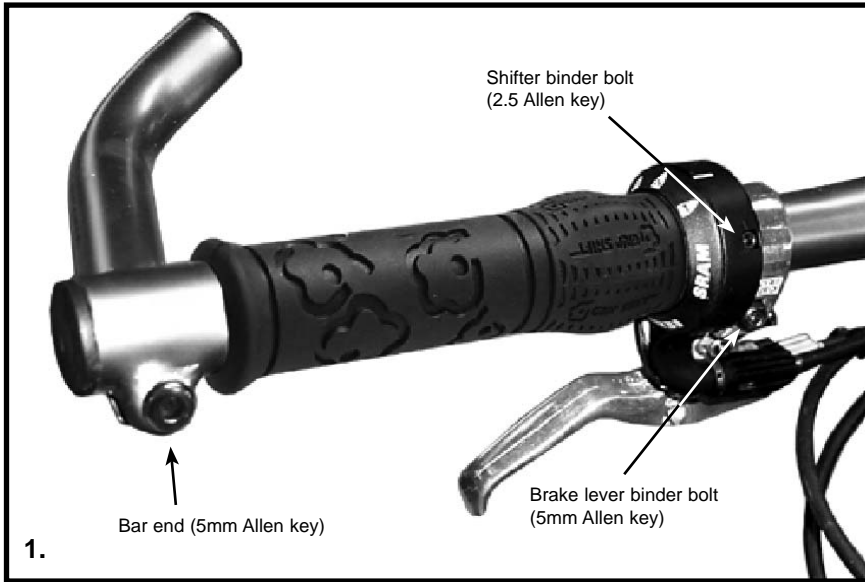
1. Remove the protective shipping cap from the stem wedge.
2. Remove the Stem Plug from the stem. Loosen the Stem Bolt with a 6mm allen wrench or 13mm box wrench.
3. Insert the stem into the headtube of the bicycle. Ensure that the Minimum Insertion Line is below the top nut of the headset.
4. Align the stem and handlebar so it is in line with the front wheel.
5. Tighten the Stem Bolt with the 6mm allen wrench. Reinsert the Stem Plug into the stem.

WARNING: MINIMUM INSERTION LINE MUST BE HIDDEN WITHIN THE HEADTUBE OF THE BICYCLE.



If the stem is not inserted into the top nut to at least the “Minimum Insertion” mark, it is possible to over-tighten the stem bolt and damage the fork steerer tube. If these instructions are not followed, it could cause an unsafe condition and risk injury to the rider. Check steering tightness prior to riding by straddling the front wheel. Try turning the handlebar. If you can turn it without turning the front wheel, the stem is too loose. Re-align the handlebar with the front wheel and re-tighten the stem bolt.





Shifters

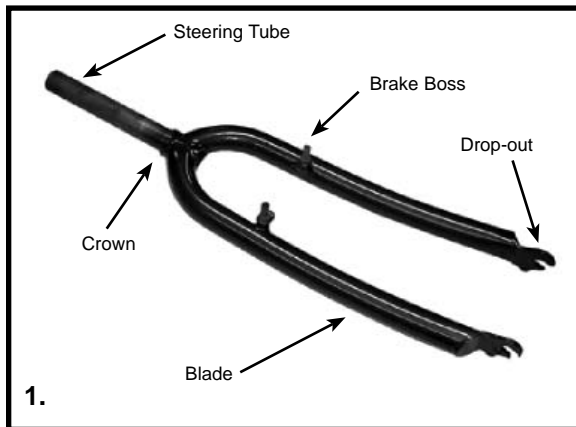
Tighten all bolts that clamp the shifters, brake levers and bar ends to the handlebar using a 5mm Allen key or Phillips head screwdriver.

(Figure 1) Handlebar with Grip Shifter.

(Figure 2) Top mounted thumb shifter.



Failure to properly tighten clamping bolts may cause sudden movement of the component resulting in loss of steering control.

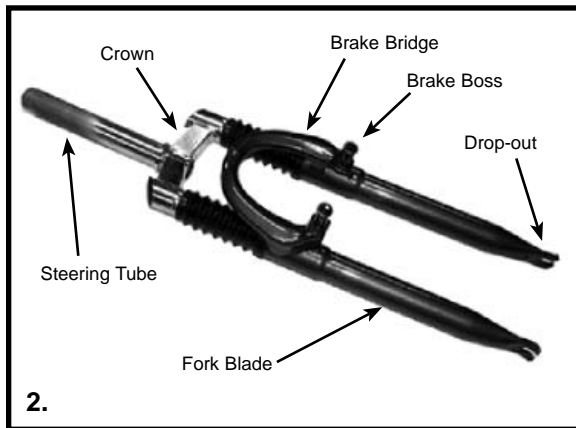


Forks

There are two different types of forks that vary in styles and dimensions. One type is a rigid fork (Figure 1) consisting of stationary tubing with curved blades. The other type is a suspension fork (Figure 2) consisting of inner stanchion tubes riding on elastomers or springs inside of a straight outer fork leg. This mechanism acts as a shock absorber with a specified amount of travel that varies between models. Some suspension forks are not adjustable and are very difficult to disassemble. If service is needed on a suspension fork, consult a professional bicycle repair technician.

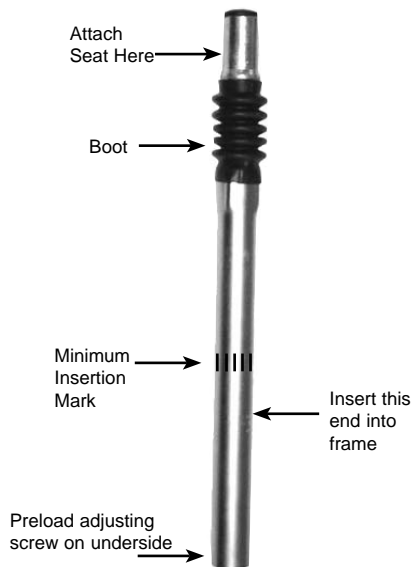
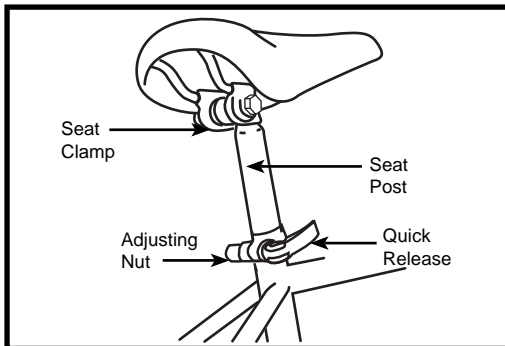


Do not attempt to disassemble a suspension fork yourself. Consult a professional bicycle repair technician.



Check the tightness of the headset and the fork. Rotate the fork checking for smoothness. If it feels like the fork is binding, then an adjustment will need to be made to the headset. Move the fork in a push/pull manner checking for tightness. If any play is detected, loosen the top nut, adjust the bearing cup, and retighten the top nut. Recheck the rotation and tightness. If necessary, readjust until a smooth rotation is achieved without backward or forward movement. If your bike is equipped with a suspension fork, check that the fork compresses and rebounds smoothly. To do this, place the fork dropouts against the ground, push and release the handlebar. The fork will generally compress 1-2" and rebound quickly. Most elastomer type forks will gradually soften with use.





Seat and Seat Post

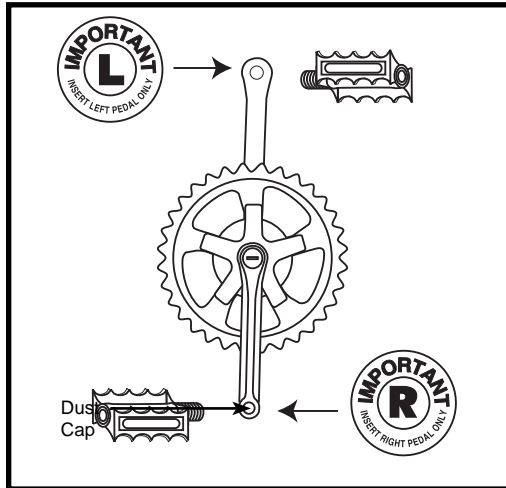
Attach the seat to the seat post by loosening the nuts on the seat clamp. Insert the tapered end of the seat post into the seat clamp until it is at the top of the clamp. Partially tighten the nuts on the seat clamp until the seat is snug, but can still be turned. Insert the seat assembly into the frame of the bicycle and adjust the seat to the proper height. The seat post must be inserted to at least the "Minimum Insertion" line marked on the seat post. If equipped with a quick release skewer; tighten the adjusting nut by hand and move the quick release lever to the closed position. You should feel considerable resistance while moving the lever. If not, re-open and re-tighten the lever, then move it to the closed position so it is in line with the frame as pictured. If equipped with a binder clamp; Insure the lip on the binder clamp is fitted completely against the top of the seat tube of the frame. With the seat post inserted, tighten the binder bolt securely. Position the top of the seat parallel with the ground. Push the front of the seat up and down to firmly mesh the serrations together. The serrations must mesh completely together to insure a stabilized riding position. Securely tighten the nut on the seat clamp. If there is a nut on both sides of the clamp, tighten each one by alternating from one to the other. Check for tightness by twisting the seat from side to side, and from front to back. If the seat moves at the seat clamp or quick release, reposition and re-tighten the appropriate clamping mechanism.

NOTE: Some models of bicycles may be equipped with a suspension seat post (See Diagram-bottom left). Some suspension posts can be adjusted for stiffness using the preload adjusting screw. Turning the 6mm Allen screw Clockwise will decrease travel and make the suspension stiffer, while turning the 6mm Allen screw Counter-clockwise will increase travel and make the suspension softer.



The seat post must be inserted so that the minimum insertion mark cannot be seen. The quick release mechanism must be tightened securely to prevent a sudden shift of the seat when riding. Failure to do this may cause loss of bicycle control.

Note: In addition to normal assembly, please be aware that the preload adjusting screw must be flush with the bottom of the post. Some bicycles may come equipped with a shim that should be positioned over the lower half of the seat post and inserted into the seat tube of the frame. Failure to do this may cause irreparable damage.

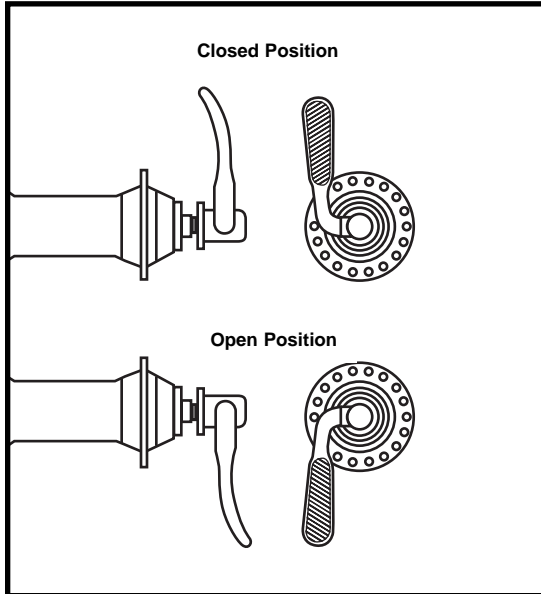
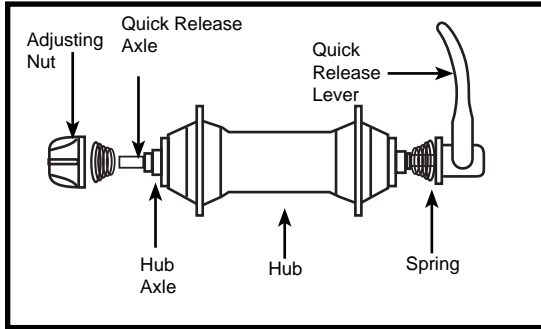


Pedals & Crank Set

Look for the letters “R” for right, and “L” for left, stamped on each pedal spindle. Start each pedal spindle by hand to avoid stripping the threads. Tighten with a 15mm narrow open ended wrench. Note that the right hand pedal attaches to the chainwheel side crank arm with a right-hand (clockwise) thread. The left pedal attaches to the other crank arm and has a left-hand (counter-clockwise) thread. It is very important that you check the crank set for correct adjustment and tightness before riding your bicycle. New cranks may become loose with initial use, refer to pages 105-108 for proper crank set adjustment and maintenance. Once the pedals have been installed, remove the dust caps from the center of each crank arm. Using a 14mm socket wrench, tighten the spindle nuts securely (approx. 350 in. lbs.) and replace the dust caps.



Attachment of an incorrect pedal into a crank arm can strip pedal threads and cause irreparable damage. Before your first ride, please check to insure your pedals are attached correctly.



Front Wheel

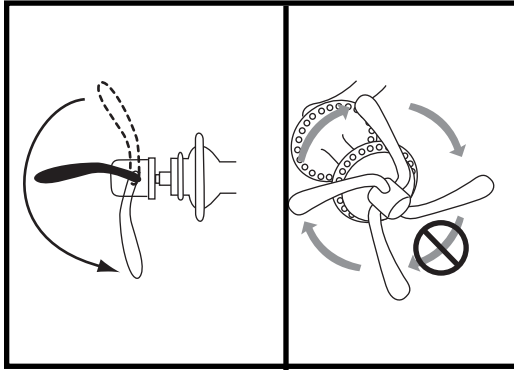
Check the wheel hub before attaching it to the fork by rotating the threaded axle. It should be smooth with no lateral movement. Insert the front wheel into the fork dropouts. Tighten the wheel nuts using the appropriate 14mm or 15mm wrench. Spin the wheel checking for trueness. Some bicycles have wheel axles that incorporate a Quick Release (QR) mechanism. This allows easy wheel removal without the need for tools. The mechanism uses a long bolt with an adjusting nut on one end, and a lever operating a cam-action tensioner on the other. If the wheel is fitted with a Quick Release type axle, turn the adjusting nut so that the locking lever is moved to the closed position with a firm action. At the halfway closed position of the quick release lever, you should start to feel some resistance to this motion. Do not tighten the quick release by using the quick release lever like a wing nut. If the quick release lever is moved to the closed position with no resistance, clamping strength is insufficient. Move the quick release lever to the open position, tighten the quick release adjusting nut, and return the quick release lever to the closed position.

Correct Quick Release Axle Setting (if equipped)

1. To set, turn the lever to the open position so that the curved part faces away from the bicycle.
2. While holding the lever in one hand, tighten the adjusting nut until it stops.
3. Pivot the lever towards the closed position. When the lever is halfway closed, there must be firm resistance to turn it beyond that point. If resistance is not firm, open the lever and tighten the adjusting nut in a clockwise direction.
4. Continue to pivot the lever all the way to the closed position so that the curved part of the lever faces the bicycle.



The quick release must be very tight in its closed position and unable to vibrate loose while riding.



5. The wheel is tightly secured when the serrated surfaces of the quick release clamping parts actually begin to cut into the bicycle frame/fork surfaces.
6. Note that the same procedure applies when operating a quick release seat post binder mechanism.



If you can fully close the quick release without wrapping your fingers around the fork blade for leverage, and the lever does not leave a clear imprint in the palm of your hand, the tension is insufficient. Open the lever, tighten the adjusting nut, and try again. Continue until the QR lever closes properly. Secondary retention devices are not a substitute for a correct quick release adjustment. Failure to properly adjust the quick release mechanism can cause the wheel to wobble or disengage, which could cause you to lose control and fall, resulting in serious injury or death.

Rear Wheel



Tighten both rear wheel axle nuts or the quick release mechanism securely. Failure to do this may cause the rear wheel to dislodge from the frame dropouts resulting in serious damage or injury.

QUICK RELEASE LEVERS

It is important to check the quick release levers before every ride to ensure all connections are made properly and securely.



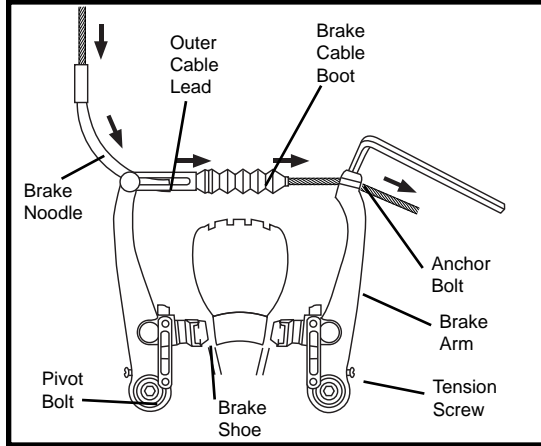
Periodically, disassemble the mechanism from the bicycle and inspect for any wear or damage and replace if necessary. When reinstalling, it is very important to ensure the connections are made properly.





Front Brake

Determine which type of brake your bike is equipped with and refer to the appropriate assembly instructions. For more information on brake adjustment and maintenance, refer to pages 74-77.

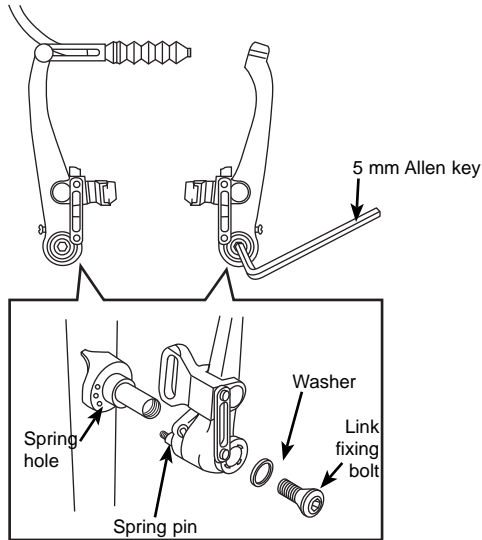


V-Style Brakes

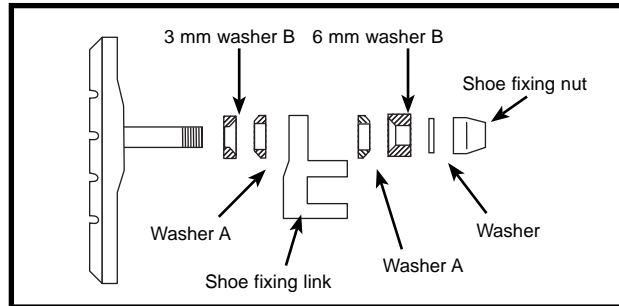
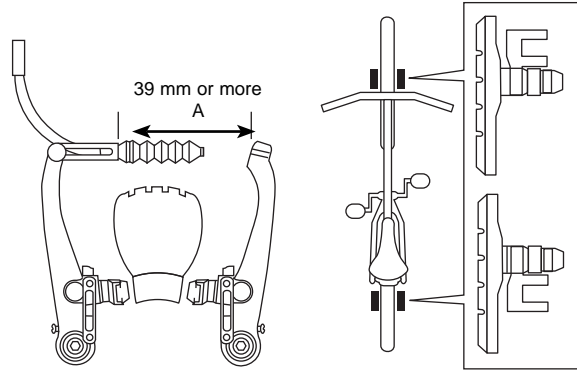
If not already assembled, take the brake noodle from the parts box and slide the cable through the larger opening. The cable housing will then seat into the end of the noodle. Slide the cable through the cable lead on the end of the left brake arm, this will cause the noodle to fit into the lead. Slip the brake cable boot over the cable and position it between both brake arms. Next, loosen the 5mm anchor bolt at the end of the right brake arm and slide the cable under the retaining washer. Pull the slack out of the cable making sure a distance of 39mm or more remains between the end of the lead and the start of the anchor bolt. Once the cable is secured to the brake arms, engage the brake lever several times, checking the position of the brake shoes at the rim. The brake shoes should be 1mm away from the rim when in a relaxed position. When the brake lever is engaged, the brake shoe should hit the rim flush (never the tire) with the front of the brake pad touching the rim slightly before the rear. This is called “toeing-in” your brake shoe. If this position is not achieved, adjustments to the brake shoe are required. Loosen the brake shoe hardware and reposition the brake shoe. It may take several shoe and cable adjustments before the required position is accomplished.

V - Brake

1. If fitted with V-Brakes, insert the brake body into the center spring hole in the frame mounting boss, and then secure the brake body to the frame with the link fixing bolt.

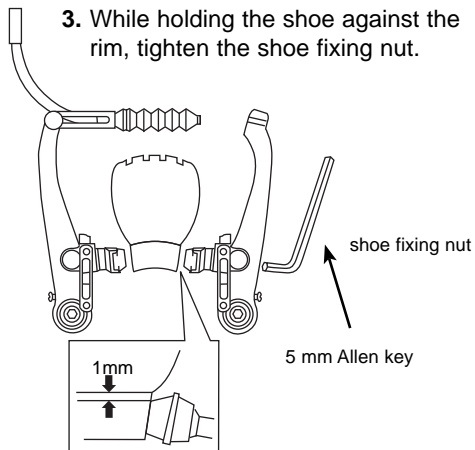


2. While holding the shoe against the rim, adjust the amount of shoe protrusion by interchanging the position of the B washers (i.e. 6 mm and 3 mm) so that dimension A is kept at 39 mm or more.

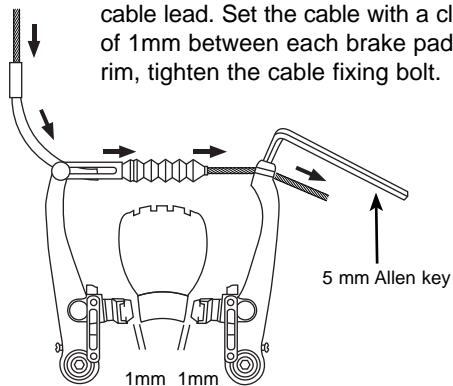




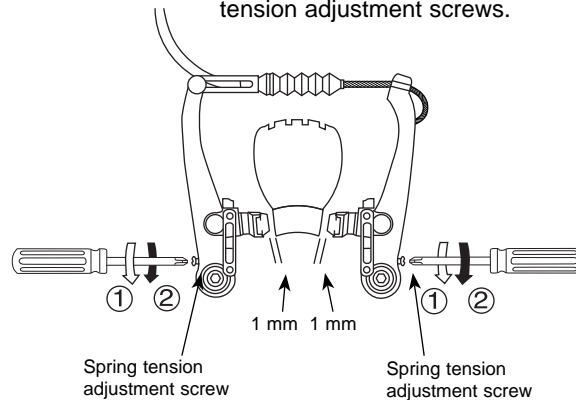
3. While holding the shoe against the rim, tighten the shoe fixing nut.



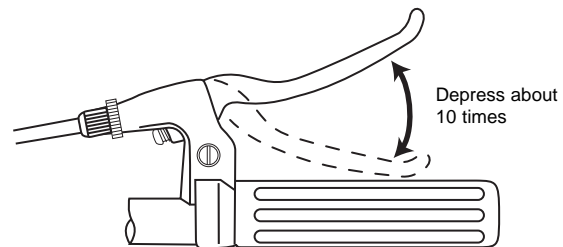
4. Pass the inner cable through the inner cable lead. Set the cable with a clearance of 1 mm between each brake pad and the rim, tighten the cable fixing bolt.



5. Adjust the balance with the spring tension adjustment screws.

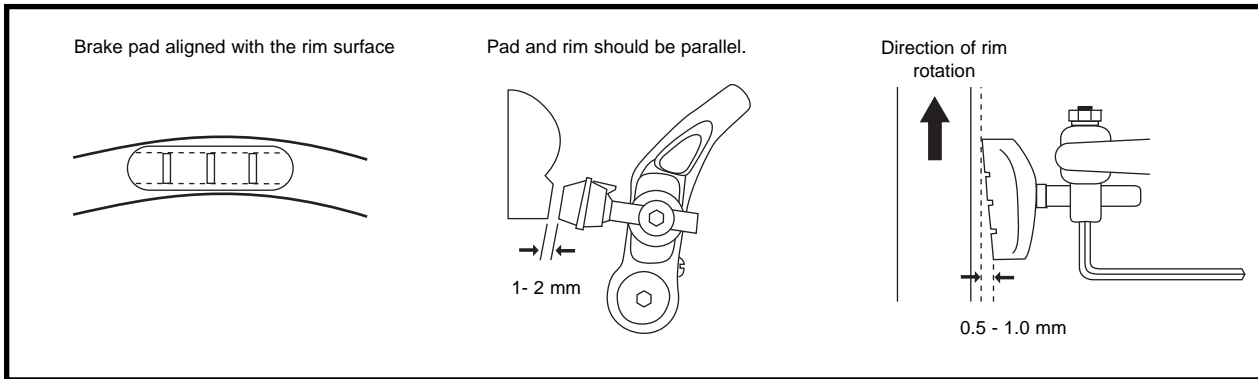


6. Depress the brake lever about 10 times as far as the grip to check that everything is operating correctly and that the shoe clearance is correct before riding the bike.



Check your Brakes

Press each brake lever to make sure that there is no binding and that the brake pads press hard enough on the rims to stop the bike. The brake pads should be adjusted so they are 1 mm to 2 mm away from the rim when the brakes are not applied. Brake pads should be centered on the rim and “toed-in” so the rear portion of each brake pad is about 0.5 - 1.0 mm farther from the rim than the front portion of the brake pad.

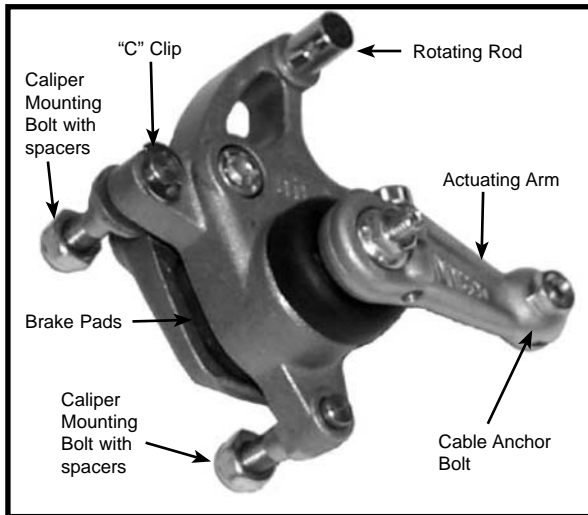
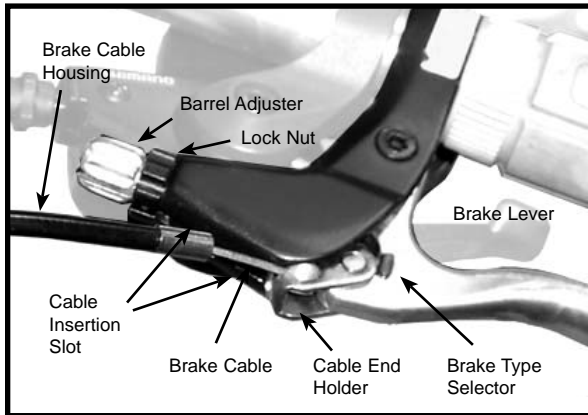


Do not ride the bicycle until the brakes are functioning properly. To test, apply the brakes while trying to push the bike forward to make sure they will stop the bicycle. Never ride a bicycle that is not functioning properly.



Do not lock up brakes. Sudden or excessive application of the front brake may pitch the rider over the handlebars, causing serious injury or death. When braking, always apply the rear brake first, then the front.





Disc Brakes (if equipped)

If fitted with a front disc brake, the components should already be attached. However, please check all connections before attempting to ride the bicycle. Secure tightly the 6 bolts that hold the disc to the front wheel hub and the 2 bolts that hold the brake mechanism to the fork. Insert the front wheel into the fork dropouts ensuring that the disc fits into the brake mechanism between the enclosed brake pads. Secure the front wheel to the bicycle by tightening the quick release mechanism and clamping the lever to the closed position. Please refer to section 6 for further instruction on quick release mechanisms.

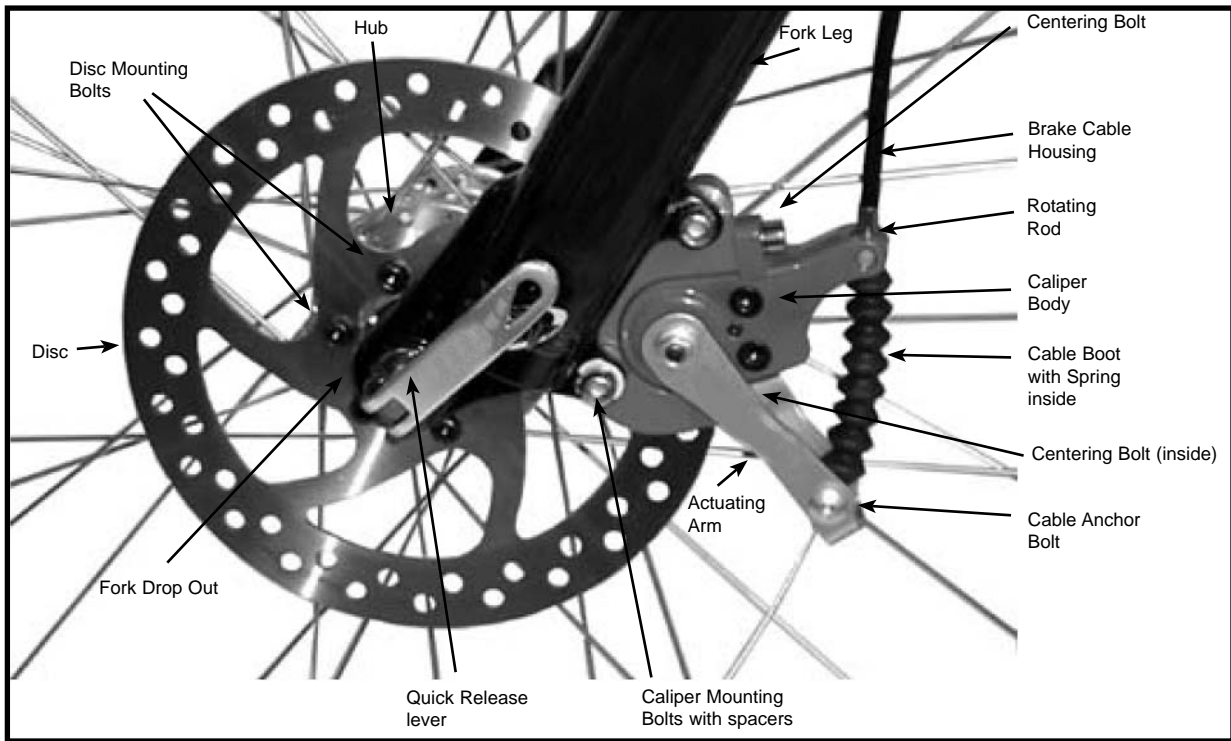
Next, attach the cable to the brake lever by inserting the cable end into the cable end holder after the barrel adjuster and lock nut slots have been aligned with the cable end holder. After the cable is secured to the lever, rotate the barrel adjuster and lock nut so the slots no longer line up. Ensure the cable housing seats appropriately into the end of the barrel adjuster and check for any kinks or damage.

Slide the exposed brake cable through the rotating rod/housing stop located on the caliper body and seat the housing all the way into the same stop. Insert the cable into the spring and spring boot.

Next, slide the cable through the cable anchor and pull all the slack out. Secure the cable in place by tightening the bolts that comprise the anchor assembly. Some disc brakes will have a centering device while others are a free-floating mechanism. If your caliper body is equipped with centering bolts, apply the brake lever after the cable has been connected. While engaging the lever, tighten the centering bolts securely. This will center the caliper body on the disc.



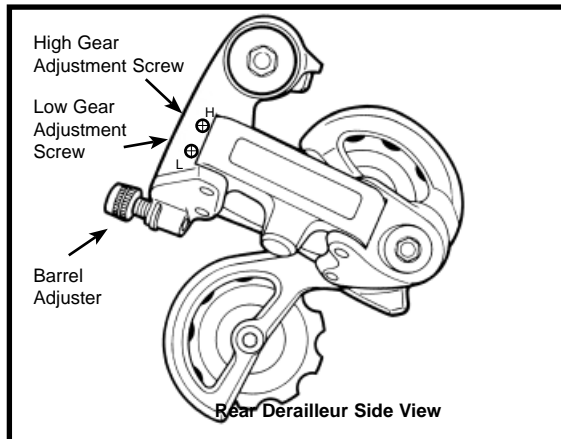
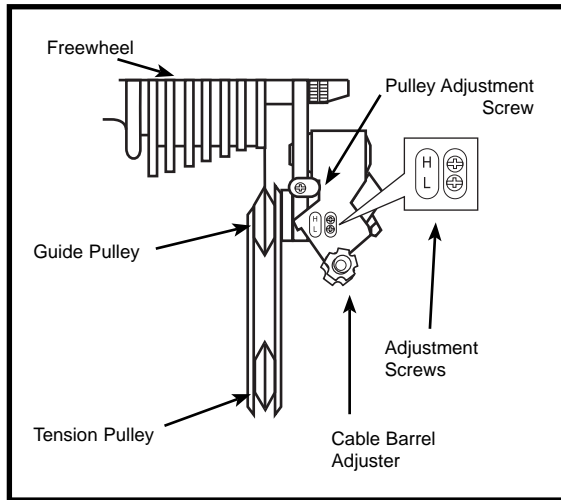
DISC GETS HOT! Severe injury could result from contact with the hot disc! Mind your legs, as well as your hands.



These brakes require breaking in! Ride and use the brakes gently for 13 miles before using the brakes in downhill conditions, for sudden stops, or any other serious braking. Please be aware that your brake system will change in performance throughout the wear-in process. The disc brake should be cleaned before the first ride using rubbing alcohol. NEVER use oil or similar products to clean your disc brake system.

Avoid touching the rotor (disc) with your fingers at any time. Naturally oily fingers can contaminate the rotor and/or the brake pads and diminish the brake's effectiveness.





Derailleur

Although the front and rear derailleurs are initially adjusted at the factory, you will need to inspect and readjust both before riding the bicycle.

Rear Derailleur

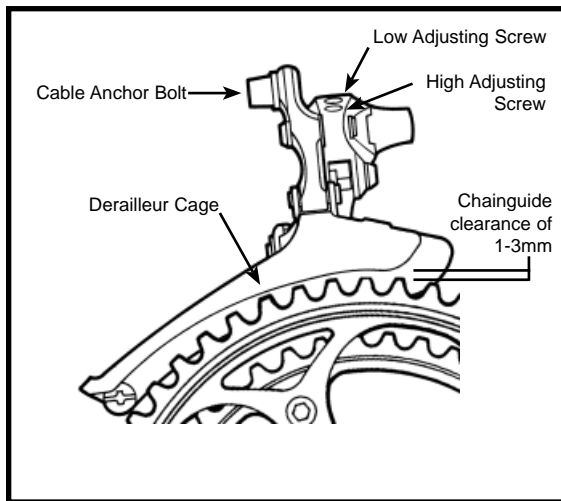
Begin by shifting the rear shifter to largest number indicated, disconnect the cable from the rear derailleur cable anchor bolt, and place the chain on the smallest sprocket.

Adjust the High limit screw so the guide pulley and the smallest sprocket are lined up vertically. Reconnect the cable, pull out any slack, and retighten the anchor bolt securely. Shift through the gears, making sure each gear achieved is done quietly and without hesitation. If necessary, use the barrel adjuster to fine tune the cable tension by turning it the direction you want the chain to go. For example, turning clockwise will loosen the cable tension and move the chain away from the wheel, while turning counter-clockwise will tighten cable tension and direct the chain towards the wheel. Shift the rear shifter to the gear one and place the chain on the largest cog.

Adjust the Low limit screw in quarter turn increments until the guide pulley and the largest cog are aligned vertically. Again, shift through each gear several times, checking that each gear is achieved smoothly. It may take several attempts before the rear derailleur and cable is adjusted properly.



Ensure all bolts are secured tightly and the chain does not fall off in either direction.



Front Derailleur

Shift both shifters to the smallest number indicated and place the chain on the corresponding cog and chainwheel. Disconnect the front derailleur cable from the cable anchor bolt. Check the position of the front derailleur; it should be parallel with the outer chainwheel and clear the largest chainwheel by 1-3mm when fully engaged.

With the chain on the smallest chainwheel in front and the largest cog in back, adjust the Low limit screw so the chain is centered in the front derailleur cage. Reconnect the cable, pull any slack out, and tighten the anchor bolt securely. Shift the front shifter to the largest chainwheel. If the chain does not go onto the largest chainwheel, turn the high limit screw in 1/4 turn increments counter-clockwise until the chain engages the largest chainwheel. If the chain falls off the largest chainwheel, and into the pedals, you will need to turn the High limit screw in 1/4 turn increments clockwise until the chain no longer falls off.

Shift through every gear, using the barrel adjusters to fine tune the cable tension. The barrel adjuster for the front derailleur is located on the front shifter where the cable comes out of the shifter. Clockwise will loosen the cable tension and direct the chain closer to the frame while counter-clockwise will tighten the cable tension and direct the chain away from the frame.



Do not ride a bicycle that is not shifting properly. Overlooking proper adjustments may cause irreparable damage to the bicycle and/or bodily injury. Never move the shifter while pedaling backward, nor pedal backwards after having moved the shifter. This could jam the chain and cause serious damage to the bicycle and/or rider.



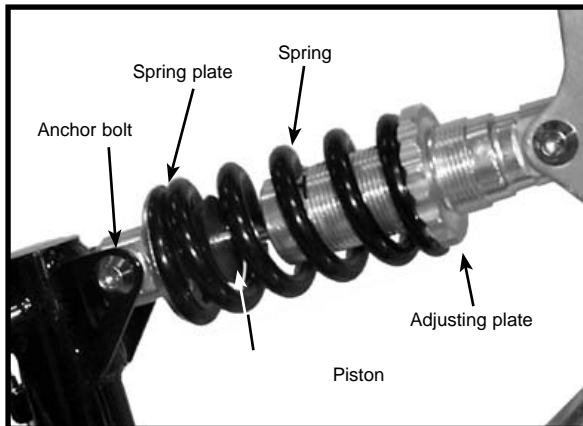


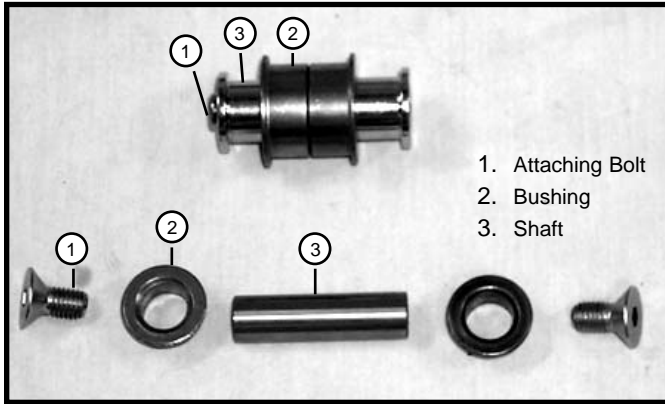
Dual Suspension

Dual Suspension bikes (DS) are equipped with a front fork as well as a rear suspension generally located below the seat. The piston works in conjunction with a spring to allow the bike to rotate on a pivot point. Ensure all attaching hardware is secured and there is no lateral movement of the rear swingarm. The stiffness of the Rear Suspension can be adjusted by turning the adjusting plate. Clockwise will increase spring tension, while turning counter-clockwise will decrease spring tension. There are many different types of suspension systems-too many to deal with individually in this manual.



There must be enough tension on the spring to hold the spring plate in place. Failure to do this may cause the mechanism to fail. Failure to maintain, check and properly adjust the suspension system may result in suspension malfunction, which can cause you to lose control and fall. Changing suspension adjustment can change the handling and braking characteristics of your bicycle. Never change suspension adjustment unless you are thoroughly familiar with the suspension system, manufacturer's instructions and recommendations, and always check for changes in the performance of your bicycle by taking a careful test ride in a hazard free area. If your bike has suspension equipment, the increased speed you may develop also increases your risk. When braking, the front of a suspended bike dips. You could lose control and fall if your skill is not up to handling this system. Get to know how to handle your suspension system safely before trying any downhill or very fast biking.

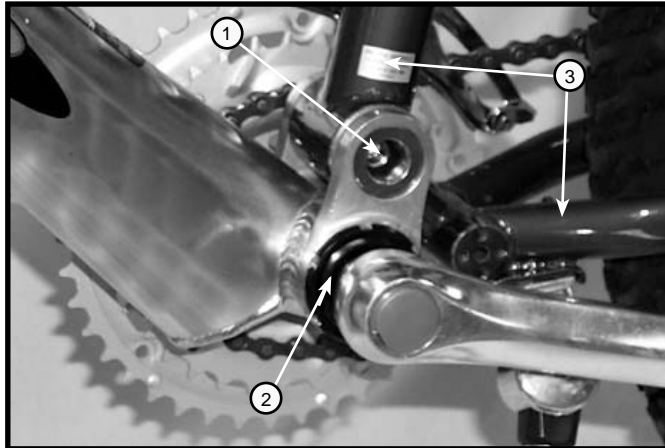




1. Attaching Bolt
2. Bushing
3. Shaft

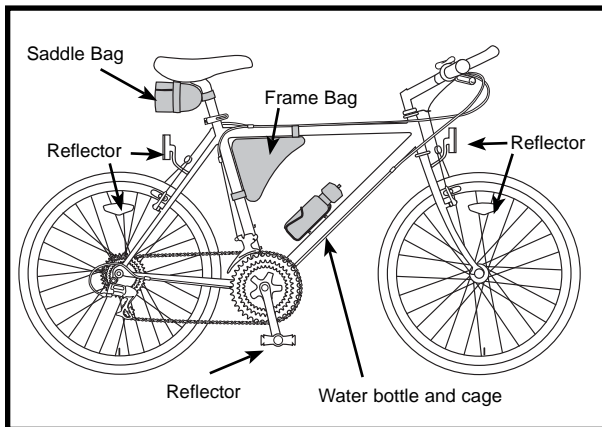
Rear Pivots

The pivot assembly is a simple mechanism that allows the rear swingarm to move up and down in combination with a rear suspension. Size, shape, and compounds will vary between models; however, operating principles are the same. A shaft will pivot inside of two bushings secured in place with bolts. Pivots should be kept clean and free from dirt and should be disassembled and re-greased at least once every riding season. Please note the drive side crank arm must be removed from the spindle before attempting to work on the pivot. Some models have two, small (2.5mm) Allen bolts on the underside of the bottom bracket shell. These must be removed before attempting to disassemble the pivot. After disassembling and cleaning, the shaft of the pivot assembly should be lightly coated with lithium-based grease, as well as the bushings and the threads of the attaching hardware. Please remember: Never use WD-40™ to grease components. It is a degreaser that will not provide required lubrication and has a tendency to attract dust.



1. Pivot Assembly
2. Bottom Bracket Cup & Lockring
3. Swingarm





Accessories

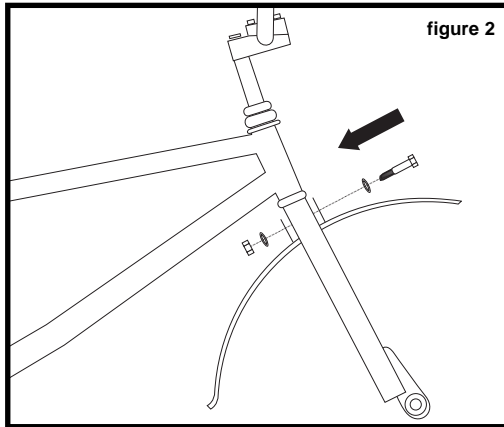
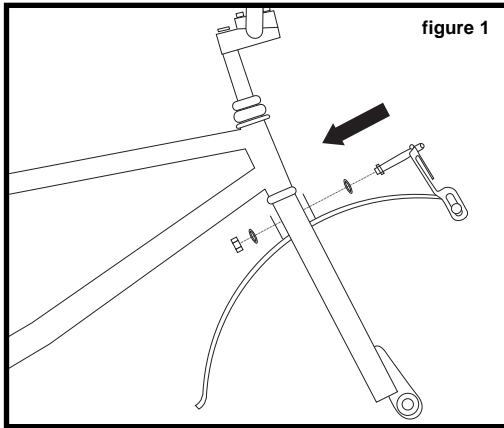
If your bike is supplied with a water bottle and cage, attach the cage to the bicycle using the Allen bolts provided.

Some bikes come equipped with a saddle bag or frame bag.

The saddle bag installs under the seat with the zipper facing the rear wheel. Undo the straps that wrap around the bag, thread them through the rails underneath the seat and secure around the bag. The smaller strap wraps around the seat post. Frame bags install at the apex of the top and seat tubes. Secure the straps around each tube.

NOTE: The frame bag straps must not bind the cables. The straps must go around the frame only.

Other: Some 20" and 24" model bicycles come with a rear derailleur guard to protect the rear derailleur from damage. To install, remove the rear wheel axle nut on the drive side, install the rear derailleur guard over the axle with the U-shaped guard pointing down, and retighten the axle nut. The guard will sit between the frame and the axle nut.



Fenders

Front Fender

The front fender is mounted at the fork crown. There are two ways in which to mount your front fender. The first is the caliper brake mounting system (see figure 1), and the second is the 10mm nut and bolt system (see figure 2). Identify the mounting system used on your bicycle and follow the given instructions for that particular type of mounting system.

1. Caliper Brake Mounting System

First remove the front wheel from your bicycle. Remove the hex nut from the caliper brake bolt on the rear of the fork, and slide the brake assembly from the fork. Place the fender assembly onto the fork making sure the attachment holes and fender bracket holes line up. Reattach the caliper brake making sure that the brake arms are on each side of the fender. Tighten the bolt until secure.

2. 10mm Nut and Bolt Mounting System

First remove the front wheel from your bicycle. Place the fender assembly onto the fork making sure the attachment holes and fender bracket holes line up. Attach the fender with the 10mm hex bolt and nut. Tighten the bolt until secure.



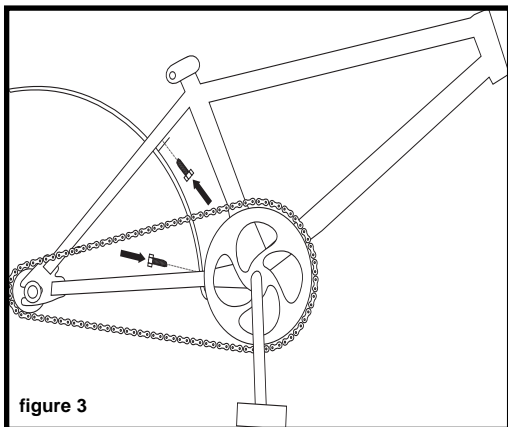


figure 3

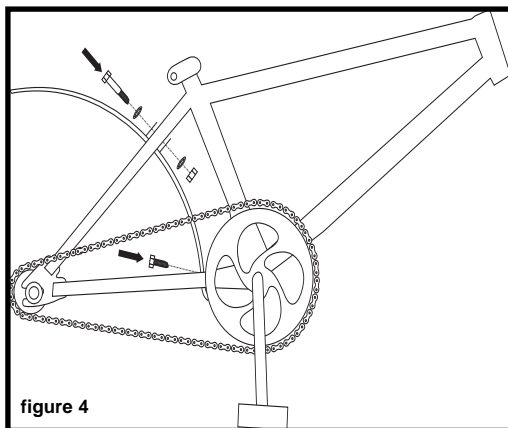


figure 4

Rear Fender

The rear fender is mounted at the seatstay brace. There are two ways in which to mount your rear fender. The first is the screw mounting system (see figure 3), and the second is the 10mm bolt and screw system (see figure 4). Identify the mounting system used on your bicycle and follow the given instructions for that particular type of mounting system.

1. Screw Mounting System

First remove the rear wheel. Place the fender assembly between the stays, making sure the fender bracket holes line up with those in the frame. Attach the fender by using two screws to directly mount the fender onto the frame. The mounts are located below the seat post and near the rear of the crank. Tighten all screws until snug.

2. 10mm Bolt and Screw System

First remove the rear wheel. Place the fender assembly between the stays, making sure the fender bracket holes line up with those in the frame. Attach the fender by using one screw to directly mount the fender onto the frame near the crank. Next, use the 10mm hex bolt and nut to attach the fender to the brace between the seat stays, near the seat post. Tighten all bolts and screws until snug.

Final Check

- After all adjustments have been made, shift through every gear several times at varying speeds. This will ensure all your adjustments are correct and will allow you to pinpoint any trouble areas. If you encounter any problems, refer to the appropriate section and make any necessary adjustments.
- Check the tire pressure and inflate each tube to the recommended psi as stated on the sidewall of the tire.
- Check that the kickstand operates smoothly and the kickstand bolt is secured tightly.
- Finally, examine the bicycle. Make sure all accessories are attached and all quick releases, nuts and bolts have been tightened securely.
- Correct maintenance of your bicycle will ensure many years of happy riding. Service your bicycle regularly by referring to the relevant sections of this manual, OR take it to a professional bicycle shop.
- Remember: Always wear a helmet and obey all traffic laws.



Never inflate a tire beyond the maximum pressure marked on the tire's sidewall. Exceeding the recommended pressure may blow the tire off the rim, which could cause damage to the bicycle and injury to the rider and bystanders.



Tighten both rear wheel axle nuts or the quick release mechanism securely. Failure to do this may cause the rear wheel to dislodge from the frame dropouts resulting in serious damage or injury.

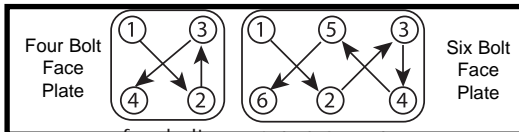
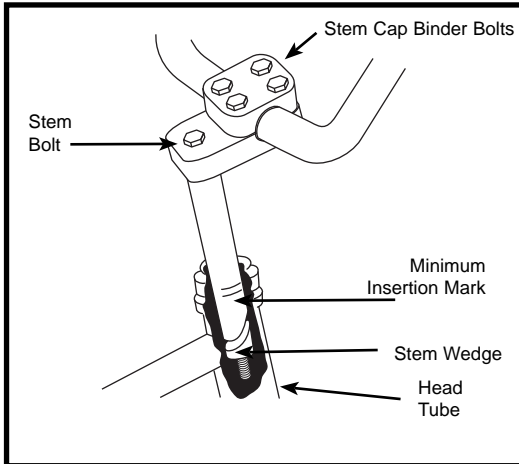
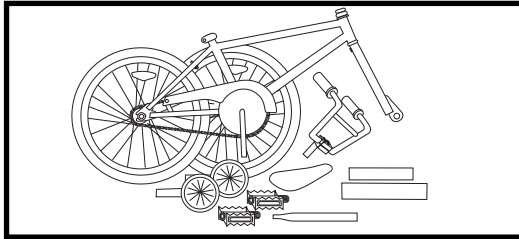




SINGLE SPEED & BMX

Includes 16" and 20" BMX Bikes

Assembly is the same for boy's and girl's bikes.



Foreword: Assembling a bicycle is an important responsibility. Proper assembly not only gives the rider more enjoyment of the bicycle; it also offers an important measure of safety.

Getting Started

Open the carton from the top and remove the bicycle. Remove the straps and protective wrapping from the bicycle. Inspect the bicycle and all accessories and parts for possible shortages. It is recommended that the threads and all moving parts in the parts package be lubricated prior to installation. Do not discard packing materials until assembly is complete to insure that no required parts are accidentally discarded. Assemble your bicycle following the steps that pertain to your model.

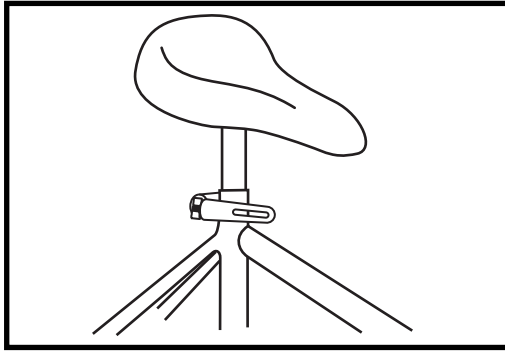
Note: Your bicycle may be equipped with different style components than the ones illustrated.

Handlebars

Remove the protective cap from the stem wedge and loosen the stem bolt using the 6mm Allen key. Some models may use a 13mm hexagonal bolt instead of an Allen key bolt. Place the handlebar stem into the head tube, observing the minimum insertion mark on the handlebar stem and ensuring that all cables are free of tangles. Check that the fork and the handlebar are facing forward, and that they are properly aligned with the front wheel. Tighten the stem bolt. Rotate the handlebar to the desired position. Tighten stem cap bolt 1 (see picture) two turns, tighten stem cap bolt 2 two turns and so on. Repeat until handle bar is secure to the stem. See picture for a 4 or 6-bolt system. Also check that the stem binder bolts are tightened equally and securely.



The handlebar must be inserted so that the minimum insertion mark cannot be seen. WARNING: Over tightening the stem bolt or headset assembly may cause damage to the bicycle and/or injury to the rider.

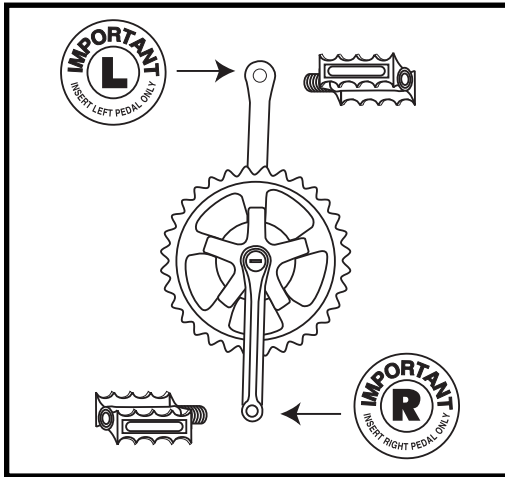


Seat

Loosen nut on the seat clamp and add 3 or 4 drops of oil onto the threads of the bolt. Place the smaller end of the seat post into the seat clamp until it stops with the bolt to the rear of the seat post. Thread the nut on the seat clamp loosely. Insert the larger end of the seat post into the seat tube of the bicycle frame observing the minimum insertion mark on the seat post. Position the top surface of the seat parallel with the ground. The serrations on the seat clamp must mesh completely with the seat frame serrations, push the front of the seat up and down to align the serrations. Securely tighten the seat clamp. Securely tighten the bolts on the seat post clamp.



The seat post must be inserted so that the minimum insertion mark cannot be seen.



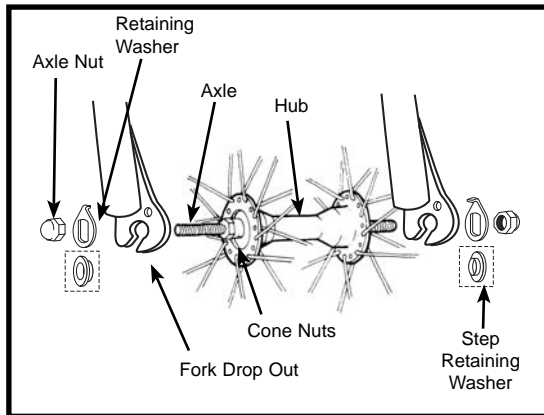
Pedals & Crank Set

Look for the letters “R” for right, and “L” for left, stamped on each pedal spindle. Start each pedal spindle by hand to avoid stripping the threads. Tighten with a 15mm narrow open ended wrench. Note that the right hand pedal attaches to the chainwheel side crank arm with a right-hand (clockwise) thread. The left pedal attaches to the other crank arm and has a left-hand (counter-clockwise) thread. It is very important that you check the crank set for correct adjustment and tightness before riding your bicycle. New cranks may become loose with initial use, refer to pages 103-106 for proper crank set adjustment and maintenance. Once the pedals have been attached, check that the crank arm rotates smoothly and that there is no lateral movement.



Attachment of an incorrect pedal into a crank arm will cause irreparable damage to the crank, the pedal or both.



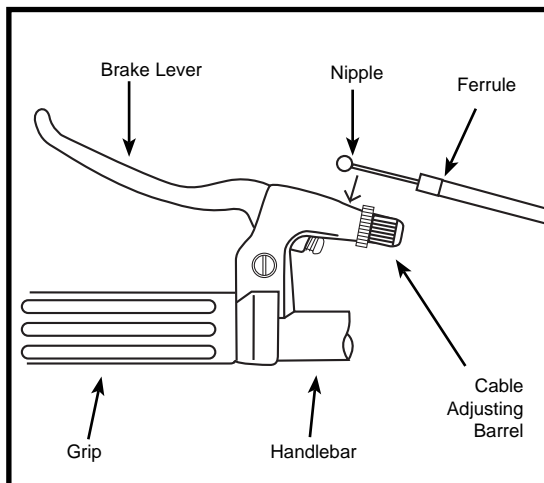


Front Wheel

1. Make sure the brakes are loose enough to allow the wheel to pass through the brake pads easily.
2. Place wheel into fork drop outs.
3. Install retaining washers with raised lip pointed towards the fork, and insert into the small hole of the fork blade. NOTE: Some bikes may have step retaining washers in place of the retaining washer (shown in dotted box). If so, install the step retaining washer, raised portion sliding in to the fork dropouts.
4. Install axle nut and tighten. Make sure the wheel is centered between the fork blades.
5. Spin the wheel to make sure that it is centered and clears the brake shoes. Tighten the brakes if necessary.
6. Turn the bicycle upright using the kickstand to support it.



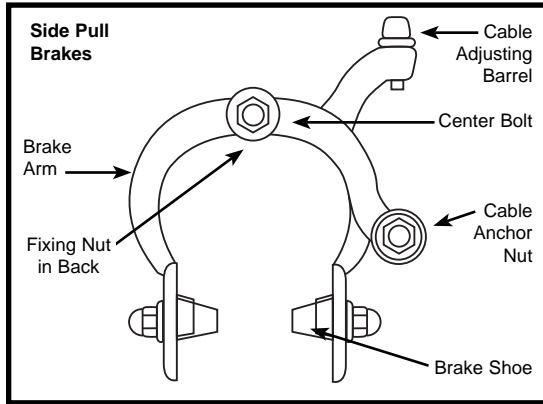
It is very important to check the front wheel connection to the bicycle. Failure to properly tighten may cause the front wheel to dislodge.



Front Brake

Determine which type of brake your bike is equipped with and refer to the appropriate assembly instructions. For more information on brake adjustment and maintenance, refer to pages 99-102. A greater force is required to activate the rear brake due to longer cable length. It is advisable to mount the rear brake on the side of the stronger hand. It is important to become familiar with the use of hand brakes. When properly adjusted, hand brakes are an efficient braking system. Keep the rim and brake shoes clean and free from wax, lubricants and dirt at all times. **Keep brakes properly adjusted and in good working condition at all times.**

Open the brake lever and place the nipple end of the short brake cable into the lever, then close the lever. Secure the ferrule against the lever using the cable adjusting barrel.



Side Pull Brake

Loosen the cable anchor nut and thread the brake cable through it. Tighten the nut by hand until it holds the cable in place. Squeeze the brake arms together against the rim of the wheel. Loosen the nuts on the brake shoes and turn until they match the angle of the rim. Tighten the nuts securely. Pull down on the end of the brake cable with pliers, hold taut and securely tighten the cable anchor nut.

Spin the wheel, the brake shoes should not contact the rim at any point and should be an equal distance from the rim on both sides. Make sure all nuts and bolts are securely tightened. Test the brake levers 20-25 times to take care of any initial cable stretch. Be sure to tightly secure the brake fixing nut behind the fork.



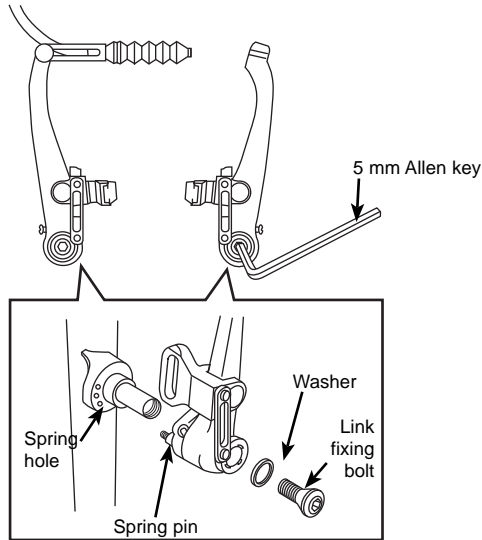
When assembling or adjusting the brakes, make sure the cable anchor is tight. Failure to securely tighten the nut could result in brake failure and personal injury.



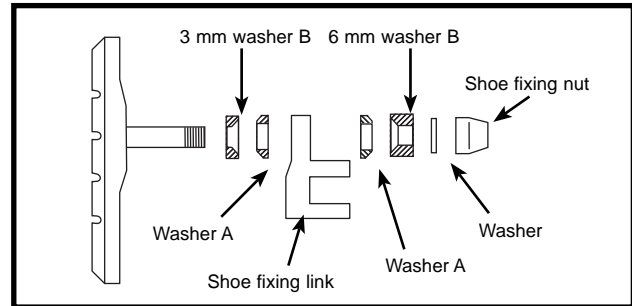
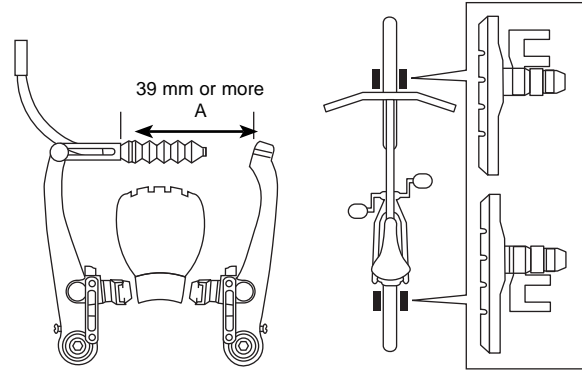


V-Style Brake

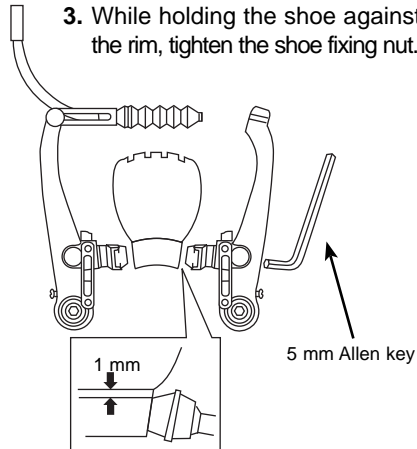
1. If fitted with V-Brakes, insert the brake spring into the center spring hole in the frame mounting boss, and then secure the brake body to the frame with the pin fixing bolt.



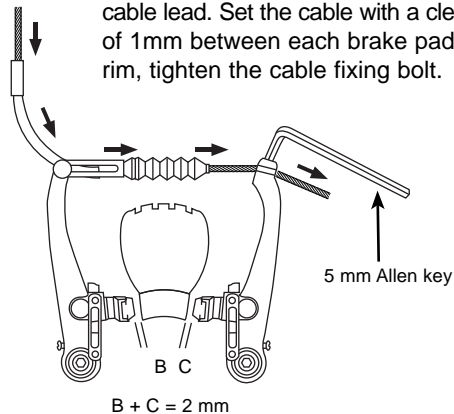
2. While holding the shoe against the rim, adjust the amount of shoe protrusion by interchanging the position of the B washers (i.e. 6 mm or 3 mm) so that dimension A is kept at 39 mm or more.



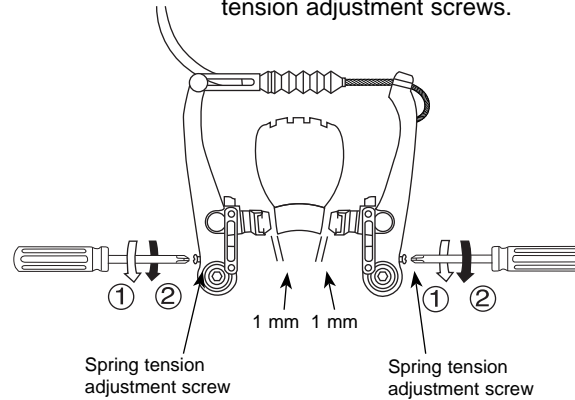
3. While holding the shoe against the rim, tighten the shoe fixing nut.



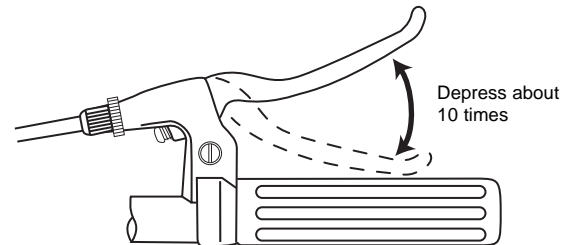
4. Pass the inner cable through the inner cable lead. Set the cable with a clearance of 1 mm between each brake pad and the rim, tighten the cable fixing bolt.



5. Adjust the balance with the spring tension adjustment screws.



6. Depress the brake lever about 10 times as far as the grip and check that everything is operating correctly and that the shoe clearance is correct before riding the bike.





Rotors

Some freestyle BMX bicycles come equipped with a cable detangler system that will allow the handlebar to spin 360-degrees without binding the cables. It is very important that this system is adjusted correctly. Installation should only be done by a qualified bicycle mechanic with the correct tools.

Upper Cable

1. First connect the barrel end of the upper cable to the rear brake lever. Make sure the long cable casing is on top of the short cable casing; otherwise, the upper cable will have a twist in it.
2. Route the upper cable through the handlebars (below the crossbar) with the short cable casing on the same side as the rear brake lever.
3. Connect the upper cable to the upper plate by passing the football ends of the upper cable through the threaded holes in the upper plate and connecting them to the bearing.
4. Screw the adjusting barrels into the upper plate. Don't tighten the locknuts at this time.

Lower Cable

1. Slide the cable casing through the cable guide on the frame.
2. Connect the lower cable to the lower plate by passing the football ends of the lower cable through the threaded holes in the lower plate and connecting them to the bearing.
3. Screw the adjusting barrels into the lower plate. Don't tighten the locknuts at this time.
4. Connect the lower cable to the rear brake. Don't adjust the rear brake at this time.

NOTE: Check to make sure all 11 cable casing ends on the upper and lower cables are seated correctly, and that the spring tension of the rear brake is pulling the bearing down.

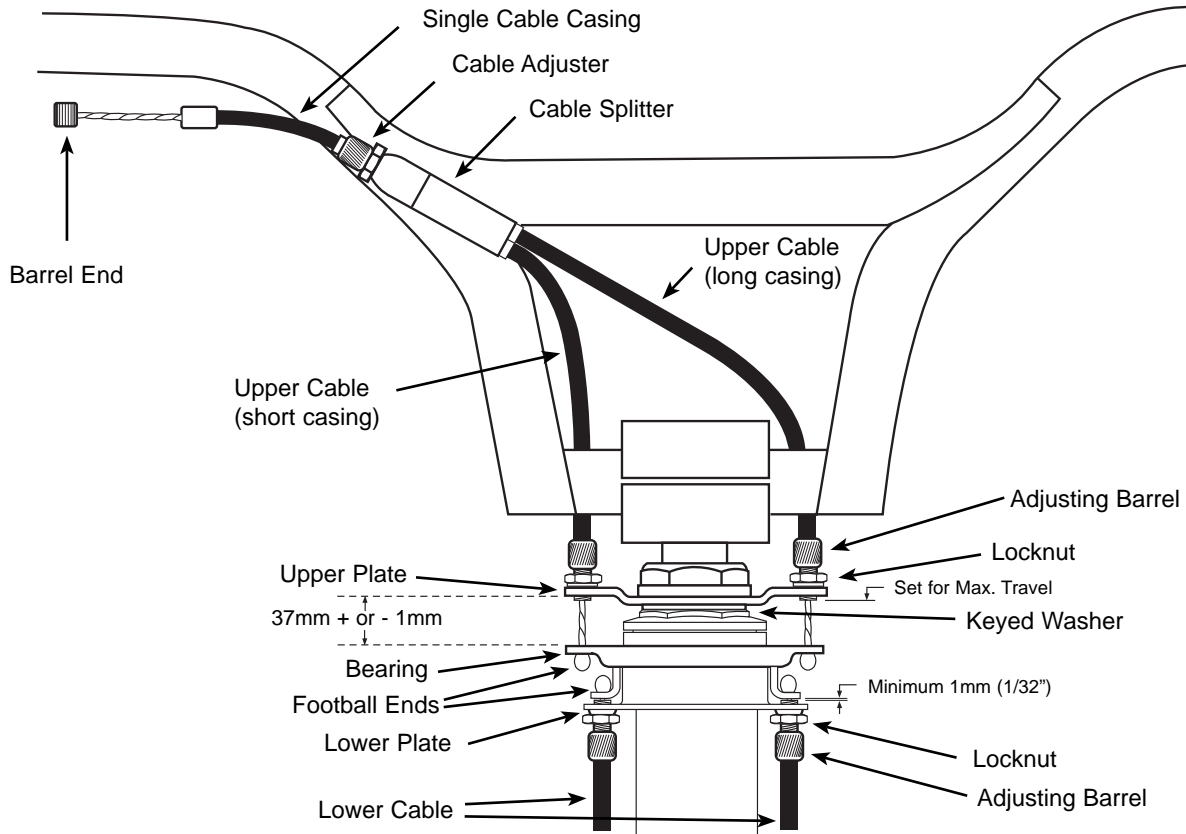
Adjustment

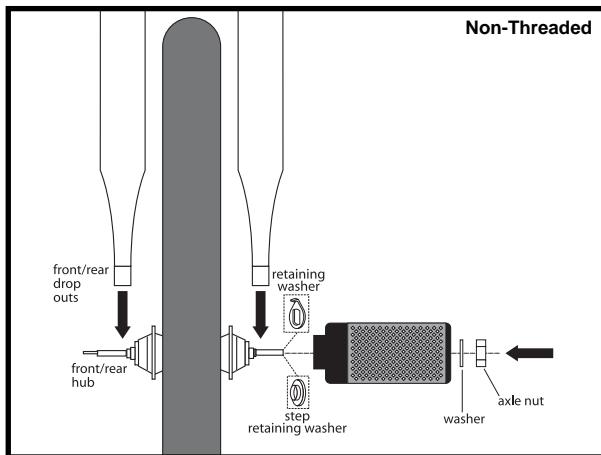
1. Screw the cable adjusters on the rear brake lever and the upper cable splitter all the way in.

2. Screw the adjusting barrels in the upper plate in (or out) to set the bearing for maximum travel. The bearing should be as far down as it can go without resting on the lower plate or the adjusting barrels screwed into the lower plate.
3. Use the adjusting barrels that are screwed into the upper plate to make the bearing parallel to the upper plate. Use a 10mm wrench to tighten the locknut on the left adjusting barrel of the upper cable. Leave the right adjusting barrel loose.
4. Screw the lower cable adjusting barrel into (or out of) the lower plate until they are as close to the bearing as they can get without touching it.
5. Screw the cable adjuster on the upper cable splitter out until all slack is removed from the upper cable. Then screw the cable adjuster out one more turn to raise the bearing an additional 1mm away from the lower cable adjusting barrels.
CAUTION: Don't screw the cable adjuster on the upper cable splitter out more than 8mm. Use the cable adjuster on the rear brake lever if more adjustment is needed.
6. Check for bearing flop by placing the handlebars in the normal riding position, then quickly rotate the handlebars back and forth. Perform the following steps to eliminate bearing flop.
NOTE: The bearing should never be allowed to rest on the lower plate or lower cable adjusting barrels.
 - a) Screw the lower cable adjusting barrels out of (or into) the lower plate until all bearing flop is eliminated.
 - b) Tighten the locknut of the right adjusting barrel on the lower cable.
 - c) Rotate the handlebars 180 degrees and recheck for bearing flop. If there is any bearing flop, use the "loose" adjusting barrels on the upper and lower cable to remove it.
 - d) Repeat steps (6a) and (6c) until the handlebars can be rotated 360 degrees without any bearing flop.
7. Finish adjusting the rear brakes.



Failure to adjust correctly may result in loss of braking power and personal injury.

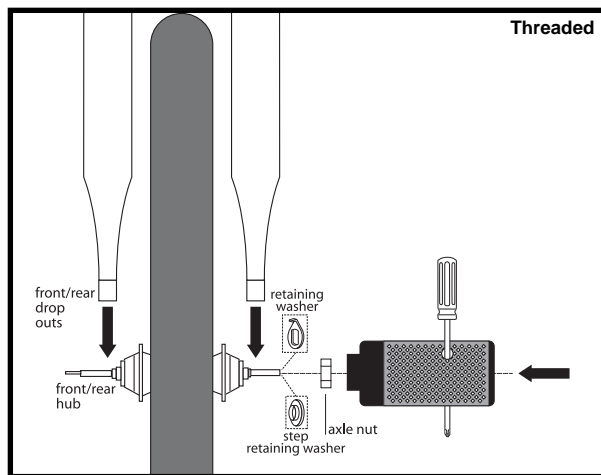




Axle Peg Assembly Instructions

Non-Threaded

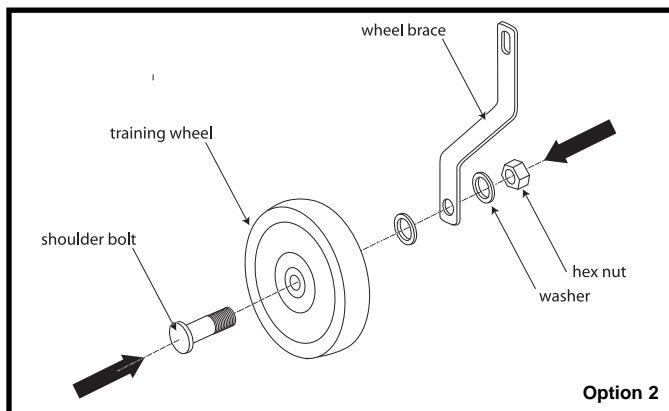
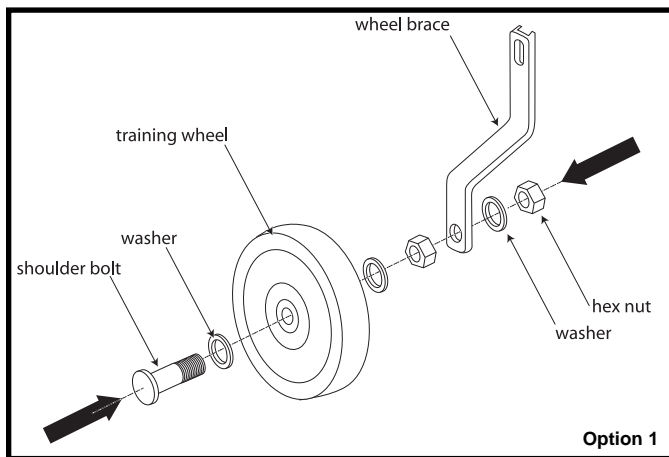
First remove the axle nut from the wheel. There will be either a retaining washer or a step retaining washer included. Place this washer between the peg and the frame of the bicycle. Slide the peg onto the axle, followed by a flat washer and lastly the axle nut. Tighten the axle nut clockwise until the peg fits snugly against the frame or fork. Repeat for all the remaining pegs.



Threaded

This style of peg is threaded to fit the axle. Make sure the axle nut is tight with a 15mm wrench. Place a screw driver through the mounting holes of the peg and attach the peg to the axle by turning clockwise. Tighten against the frame or fork for a snug fit. Repeat for all the remaining pegs.

PLEASE NOTE: Not all axles are able to accept axle pegs. Please consult the Currie Technologies® Service Department if you have any questions. Some BMX bicycles come with two or four pegs. If your bicycle is a Dirt Jumping style bicycle, you will receive only two pegs. These are designed for the front wheel. Freestyle bicycles come with four pegs, two for each wheel.



Training Wheels

There are two options when attaching the training wheels to the wheel brace. Determine which option is used on your bicycle and follow the given instructions for that option.

Option 1

First attach the training wheels to the wheel brace. Position a washer on the shoulder bolt. Next, insert the shoulder bolt through the wheel. Follow with another flat washer then completely thread a hex nut onto the shoulder bolt. Insert the shoulder bolt through the wheel brace and set the washer on the shoulder bolt. Lock the training wheel into place by screwing another hex nut onto the shoulder bolt. Repeat for both training wheels.

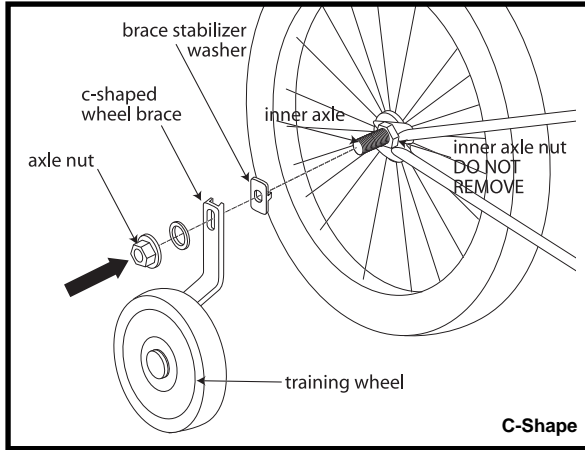
Option 2

First attach the training wheels to the wheel brace. Insert the shoulder bolt through the wheel. Follow with a flat washer. Insert the shoulder bolt through the wheel brace and set the washer on the shoulder bolt. Lock the training wheel into place by screwing another hex nut onto the shoulder bolt. Repeat for both training wheels.



It is very important to check the training wheel connection to the bicycle. Failure to properly tighten may cause the training wheel to dislodge. Please contact Currie Technologies® Service with any questions.



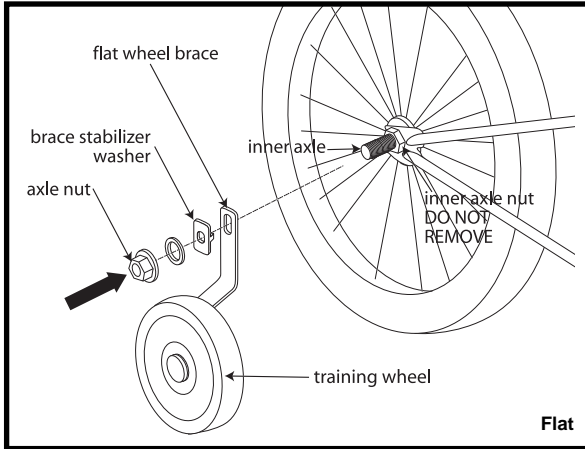


Attaching Training Wheel Brace to Bicycle

There are two different braces used to attach the training wheels to the bicycle: the C-Shape Brace and the Flat Brace. Determine which brace was included with your bicycle and follow the given instructions for that particular brace.

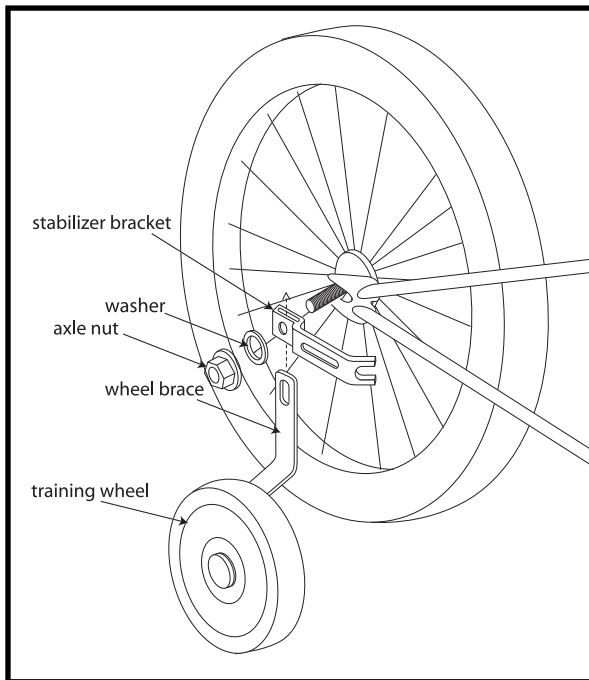
C-Shape Brace

Remove the axle nut and washer from the rear wheel axle. Place the brace stabilizer washer onto the axle and align the washer so that the notch on the washer fits into the rear frame drop out. Next, place the C-shaped wheel brace onto the axle and replace the washer and axle nut. Tighten the axle nut securely, making sure that the wheel brace stays in the proper vertical position. The elongated hole on the wheel brace allows the training wheel height to be adjusted for proper fit.



Flat Brace

Remove the axle nut and washer from the rear wheel axle. Place the flat wheel brace onto the axle. Next place the brace stabilizer washer onto the axle and align it so that the notch fits into the rear frame drop out. Replace the washer and axle nut. Tighten the axle nut securely, making sure that the wheel brace stays in the proper vertical position. The elongated hole on the wheel brace allows the training wheel height to be adjusted for proper fit.



Training Wheel Stabilizer Bracket

Your bicycle may include a stabilizer bracket to attach the training wheel to the bicycle.

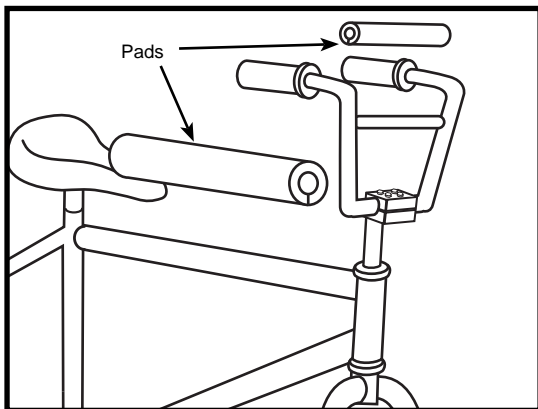
First remove the nut and washer from the rear wheel axle. Align the stabilizer bracket onto the brace. Align the brace and stabilizer bracket on the wheel axle. Replace the axle nut and washer, secure tightly. The elongated hole on the brace allows for raising and lowering the training wheel to the proper height.

NOTICE: Not all bicycles will accept training wheels. If your bike did not come stock with training wheels, please call Currie Technologies® to help determine if after-market training wheels can be attached.



It is very important to check the training wheel connection to the bicycle. Failure to properly tighten may cause the training wheel to dislodge. Please contact Currie Technologies® Customer Service Department with any questions.





Final Check

Install any additional parts that are supplied with your bike.

NOTE: Your bicycle may be equipped with different style components than the ones illustrated.

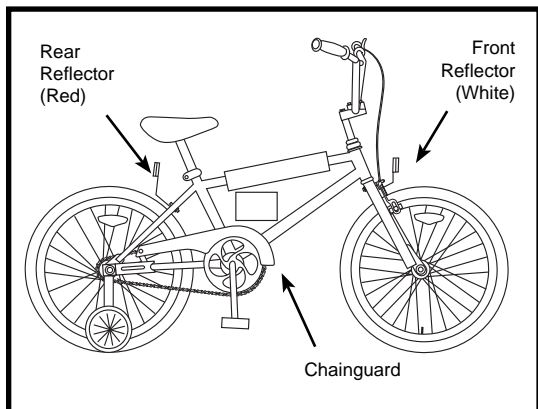
Reflectors: Attach the white reflector to the front bracket and the red reflector to the rear bracket using an 8mm wrench or a Phillips head screwdriver. Attach the brackets to the bicycle using the hardware provided. For some models, the front reflector bracket will be mounted on the front brake assembly bolt that fits through the fork. It is important to make sure all connections are tightened securely and that the reflectors are properly angled.

Pads: If your bike is supplied with pads, wrap the foam inner cushion around the appropriate bar. Place the outer cover over the inner cushion and press the Velcro together securely. Turn the pad so the Velcro faces the ground.

Chainguards: If not already attached, attach the chainguard to the bicycle frame using the clamps provided. Secure in place making sure the guard does not bind or get caught on the chain.

Tire Pressure: Check tire pressure, inflate to the range recommended on the tire sidewalls.

Pegs: There are many different types of pegs-too many to deal with individually in this manual. Please see your dealer for specific information regarding peg installation.



Before riding, ensure all nuts, bolts and fittings on the bicycle have been correctly tightened.

Correct routine maintenance of your new bike will ensure smooth running - Longer lasting components - Safer riding - Lower running costs

Every time you ride your bicycle, its condition changes. The more you ride, the more frequently maintenance will be required. We recommend you spend a little time on regular maintenance tasks. The following schedules are a useful guide and by referring to Part 6 of this manual, you should be able to accomplish most tasks. If you require assistance, we recommend you see a bicycle specialist.

Schedule 1 - Lubrication

Frequency	Component	Lubricant	How to Lubricate
Weekly	Chain	Chain Lube or Light Oil	Brush On or Squirt
	Derailleur Pulleys	Chain Lube or Light Oil	Brush On or Squirt
	Derailleurs	Oil	Oil Can
	Brake Calipers	Oil	3 drops from oil can
	Brake Levers	Oil	2 drops from oil can
Monthly	Shift Levers	Lithium Based Grease	Disassemble
Every Six Months	Freewheel	Oil	2 squirts from oil can
	Brake Cables	Lithium Based Grease	Disassemble
Yearly	Bottom Bracket	Lithium Based Grease	Disassemble
	Pedals	Lithium Based Grease	Disassemble
	Derailleur Cables	Lithium Based Grease	Disassemble
	Wheel Bearings	Lithium Based Grease	Disassemble
	Headset	Lithium Based Grease	Disassemble
	Seat Post	Lithium Based Grease	Disassemble

Note: The frequency of maintenance should increase with use in wet or dusty conditions. Do not over lubricate - remove excess lubricant to prevent dirt build up. Never use a degreaser to lubricate your chain (WD-40™)





Schedule 2 - Service Checklist

Frequency	Task	Page Reference
Before every ride	Be sure batteries are fully charged	35-40
	Check tire pressure	89
	Check brake operation	99-102
	Check wheels for loose spokes	88
	Perform safety check	18-19
After every ride	Be sure to fully charge batteries	35-40
	Quick wipe down with damp cloth	29
Weekly	Lubrication as per schedule 1	85
Monthly	Inspect wires	n/a
	Inspect connectors	n/a
	Lubrication as per schedule 1	85
	Check derailleur adjustment	115-116
	Check brake adjustment	99-102
	Check brake and gear cable adjustment	99, 114
	Check tire wear and pressure	89
	Check wheels are true and spokes tight	88
	Check hub, head set and crank bearings for looseness	90, 96, 105-108
	Check pedals are tight	103
	Check handlebars and stem are tight	92-93
	Check seat and seat post are tight and comfortably adjusted	97-98
	Check frame and fork for trueness	18-19
Perform safety check	18-19	
Every Six Months	Lubrication as per schedule 1	85

Frequency	Task	Page Reference
	Check all points as per monthly service	86
	Check and replace brake pads, if required	102
	Check chain for excess play or wear	109
Yearly	Lubrication as per schedule 1	85



Tools Required

1. Open ended wrench or ring wrenches: 8mm, 9mm, 10mm, 12mm, 13mm, 14mm, 15mm
2. Open end or pedal wrench 15mm
3. Allen key wrenches: 2.5mm, 3mm, 4mm, 5mm, 6mm, 8mm
4. Adjustable wrench
5. Standard flat head screwdriver
6. Standard Phillips head screwdriver
7. Standard slip joint pliers
8. Tire pump
9. Tube repair kit
10. Tire levers



Travel Tools

1. Spare Tube
2. Patch kit
3. Pump
4. Tire levers
5. Multi-tool
6. Change (phone call)





DETAILED MAINTENANCE

WHEELS AND TIRES

Wheel Inspection

It is most important that wheels are kept in top condition. Properly maintaining your bicycle's wheels will help braking performance and stability when riding. Be aware of the following potential problems:

- Dirty or greasy rims:

Caution: These can render your brakes ineffective. Do not clean them with oily or greasy materials. When cleaning, use a clean rag or wash with soapy water, rinse and air dry. Don't ride while they're wet. When lubricating your bicycle, don't get oil on the rim braking surfaces.

- Wheels not straight:

Lift each wheel off the ground and spin them to see if they are crooked or out of true. If wheels are not straight, they will need to be adjusted. This is quite difficult and is best left to a bicycle repair specialist.

- Broken or loose spokes:

Check that all spokes are tight and that none are missing or damaged.

Caution: Such damage can result in severe instability and possibly an accident if not corrected. Again, spoke repairs are best handled by a bicycle repair specialist.

- Loose hub bearings:

Lift each wheel off the ground and try to move the wheel from side to side.

Caution: If there is movement between the axle and the hub, do not ride the bicycle. Adjustment is required.

- Axle nuts:

Check that these are tight before each ride.

- Quick release:

Check that these are set to the closed position and are properly tensioned before each ride.

Caution: Maintain the closed position and the correct adjustment. Failure to do so may result in serious injury.

Tire Inspection

Tires must be maintained properly to ensure road holding and stability. Check the following areas:

Inflation: Ensure tires are inflated to the pressure indicated on the tire sidewalls. It is better to use a tire gauge and a hand pump than a service station pump.

Caution: If inflating tires with a service station pump, take care that sudden over inflation does not cause tire to blow out.

Bead

Seating: When inflating or refitting tire, make sure that the bead is properly seated in the rim before you fully inflate the tire.

Tread: Check that the tread shows no signs of excessive wear or flat spots, and that there are no cuts or other damage.

Caution: Excessively worn or damaged tires should be replaced.

Valves: Make sure valve caps are fitted and that valves are free from dirt. A slow leak caused by the entry of the dirt can lead to a flat tire, and possibly a dangerous situation.

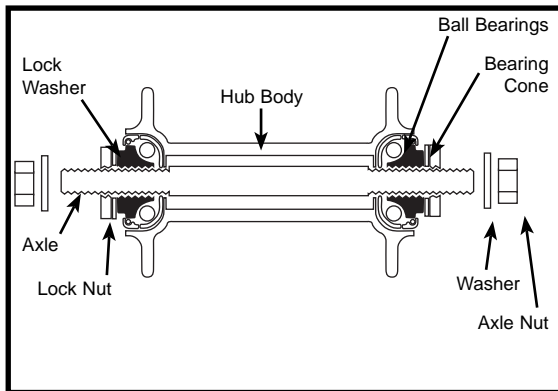
Recommended Tire pressures:

The recommended pressure molded on the sidewall of your bicycle tires should match the following chart.

Use this as a general guide.

BMX (16"-20")	35-50 psi
Mountain Bike "MTB" (26")	40-65 psi
Road Touring (700c X 35)	70-90 psi
Road Racing (700c X 25)	110-125 psi
Hybrid/Crossbike (700c X 38)	60-100 psi

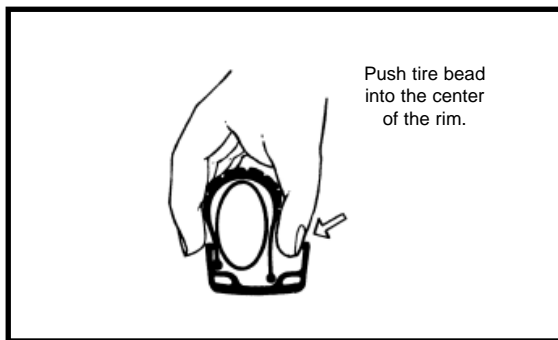




Hub Bearing Adjustment

When checked, the hub bearings of either wheel will require adjustment if there is any more than slight side play.

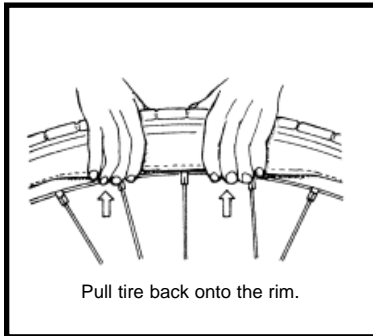
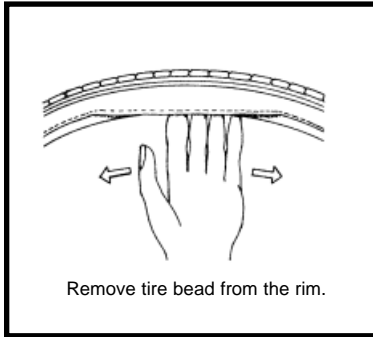
1. Check to make sure neither locknut is loose.
2. To adjust, remove wheel from bicycle and loosen the locknut on one side of the hub while holding the bearing cone on the same side with a flat open end wrench.
3. Rotate the adjusting cone as needed to eliminate free play.
4. Re-tighten the locknut while holding the adjusting cone in position.
5. Re-check that the wheel can turn freely without excessive side play.



How To Fix a Flat Tire

If you need to repair a tire, follow these steps:

1. Remove the wheel from the bicycle.
2. Deflate the tire completely via the valve. Loosen the tire bead by pushing it inward all the way around.
3. Press one side of the tire bead up over the edge of the rim.
Note: Use plastic tire levers, not a screwdriver, otherwise you may damage the rim and tire.
4. Remove the tube, leaving the tire on the rim.
5. Locate the leaks and patch using a tube repair kit, carefully following the instructions, or replace the tube. Note: Ensure that the replacement tube size matches the size stated on the tire sidewall and that the valve is the correct type for your bicycle.
6. Match the position of the leak in the tube with the tire to locate the possible cause and mark the location on the tire.



7. Remove the tire completely and inspect for a nail, glass, etc. and remove if located. Also inspect the inside of the rim to ensure there are no protruding spokes, rust or other potential causes. Replace the rim tape which covers the spoke ends, if damaged.
8. Remount one side of the tire onto the rim.
9. Using a hand pump, inflate the tube just enough to give it some shape.
10. Place the valve stem through the hole in the rim and work the tube into the tire.
Note: Do not let it twist.
11. Using your hands only, remount the other side of the tire by pushing the edge toward the center of the rim. Start from the opposite side of the valve and work around the rim.
12. Before the tire is completely mounted, push the valve up into the rim to make sure the tire can sit squarely in position.
13. Fit the rest of the tire, rolling the last, most difficult part on using your thumbs.
Note: Avoid using tire levers as these can easily puncture the tube or damage the tire.
14. Check that the tube is not caught between the rim and the tire bead at any point.
15. Using a hand pump, inflate the tube until the tire begins to take shape. Spin the wheel and watch the tire mold lines. They should be evenly spaced from the edge of the rim all the way around the wheel. When properly seated, fully inflate the tire to the pressure marked on the sidewall. Use a tire air pressure gauge to check.
16. Replace the wheel into the frame checking that all gears, brakes and quick release levers are properly adjusted.



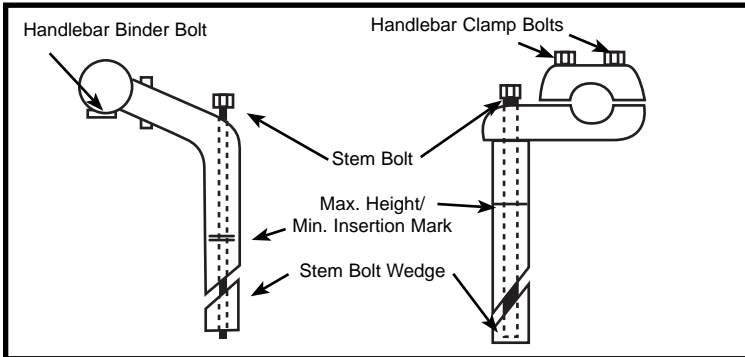
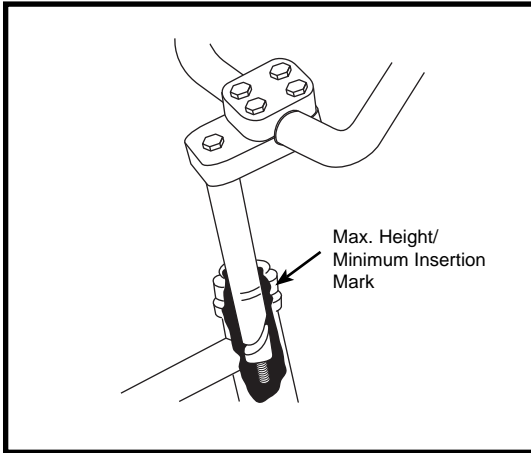


HANDLEBARS AND STEM

Handlebar Stem

The handlebar stem fits into the steering column and is held firmly by the action of a binder bolt and expander wedge which, when tightened, binds with the inside of the fork steerer tube. When removing the stem, loosen the stem bolt two or three turns, then give it a tap to loosen the wedge inside.

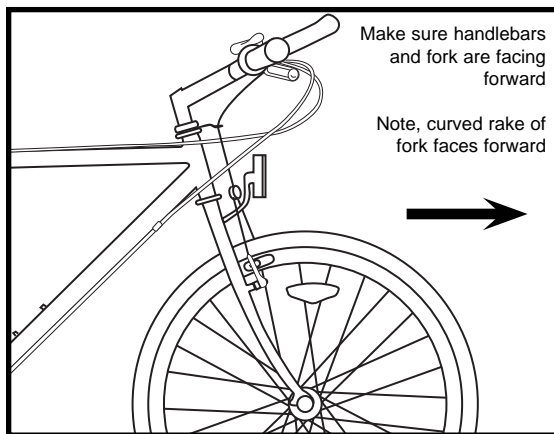
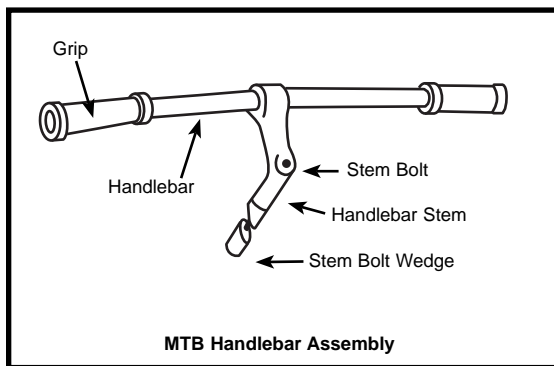
Lubricate by first wiping off any old grease and grime, then applying a thin film of grease to the part, including the wedge, that will be inserted into the frame. The height of the handlebar can be adjusted to suit your comfort preference. If the stem is removed from the steering column, you will notice a mark about 65mm up from the bottom with the words "max. height" or "minimum insertion".



Never ride a bicycle if the stem has been raised so that the max. height/ minimum insertion line can be seen.



Warning: Over tightening the stem bolt or headset assembly may cause damage to the bicycle and/or injury to the rider.



When re-fitting the stem, make sure the handlebars are correctly aligned and tightened using the appropriate hex wrench or allen key.

Do not over tighten.

Test the security of the handlebar within the stem, and the stem within the fork steerer tube, by clamping the front wheel between your knees and trying to move the handlebar up and down, and from side to side. The handlebar should not move when applying turning pressure.

Handlebars

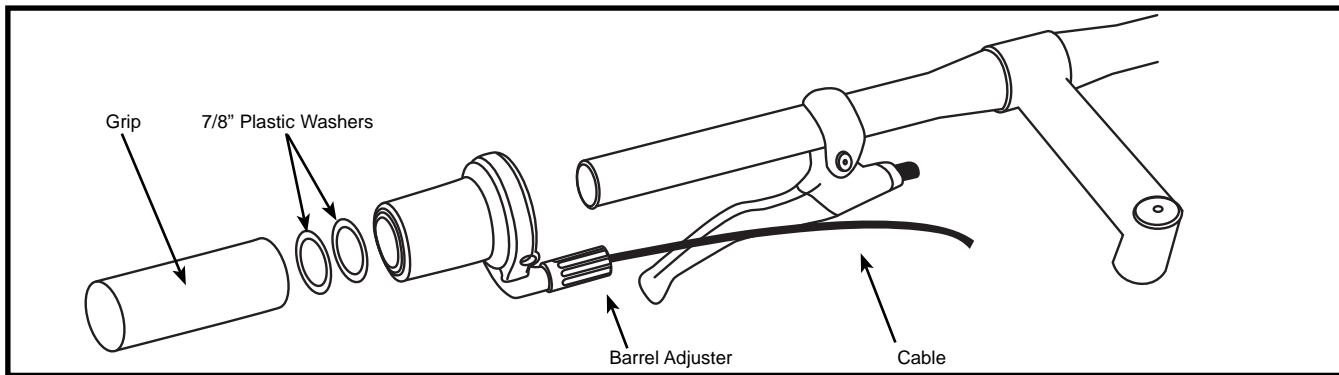
The exact positioning of the handlebar is a matter of personal comfort. For MTB bicycles, the bar should be approximately horizontal, with the ends pointing back and slightly up. On BMX bicycles, the handlebar should remain in an approximately upright position but can be angled back or forward slightly for comfort. On MTB and racing style bicycles, the handlebar is usually tightened in the stem by a single allen key bolt or hexagonal bolt. On BMX style bicycles there may be four clamping bolts.

Please note that if you need to replace the fork on your bicycle at any time, please consult a qualified bicycle technician.



Never ride unless the handlebar clamping mechanism has been securely tightened.





GRIP SHIFTERS

Grip Shift™ - Installation

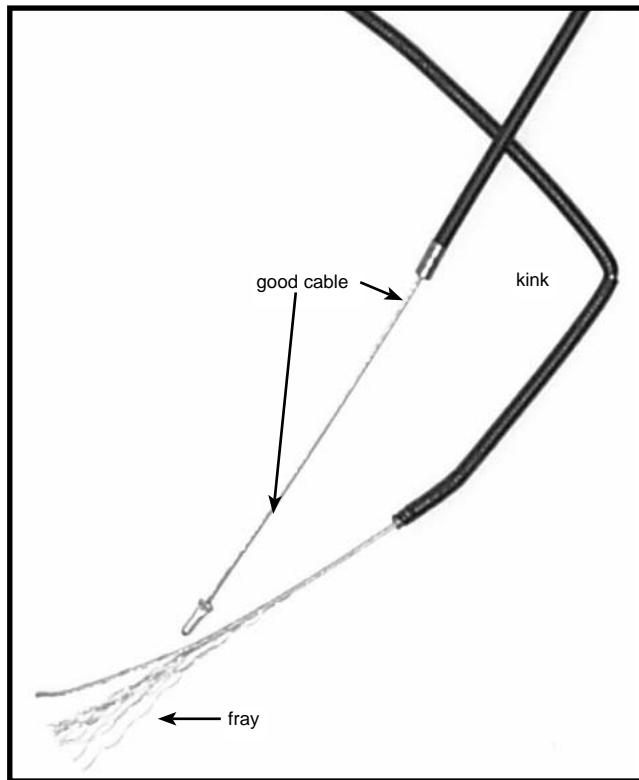
1. Slide front Grip Shift™ assembly over left side of handlebar leaving proper clearance for handlebar grip. If necessary, move the brake lever to accommodate Grip Shift™ and handlebar grip.
2. Rotate assembly until cable exits beneath brake lever with adequate clearance for brake lever movement.
3. Firmly tighten recessed clamp screw. Installation torque should be 20 in.-lbs.
4. Slide the two 7/8" plastic washers over handlebar. The washers prevent the grip from interfering with Grip Shift™ rotation.
5. Slide handlebar grip over handlebar. Thread the cable inner wire through cable housings and frame, and attach to derailleur. Make sure that the cable is in the V groove at the derailleur attachment bolt. If trimming the cable housing is necessary, be sure to replace the housing end cap.
6. Adjust indexing.
7. Slide rear Grip Shift™ over right side of handlebar and repeat steps 2 - 6.
8. Actuate front and rear brake levers to be certain of proper operation. If Grip Shift™ interferes with brake lever movement, rotate brake lever or Grip Shift™. **Check for proper brake lever operation again.**

Cables and Cable Housing

Cables and housing are one of the most overlooked parts on the bicycle. The first indication that your cables and housing need to be replaced is an increased amount of pressure needed to operate the brakes or shifters. Before every ride, check that there are no kinks or frays in the cables and housing. Also check that the housing is seated properly into each cable stop of the bicycle. It is recommended that the cables and housing are replaced at least every riding season to prolong the life of your bike.



Do not ride a bicycle that is not operating properly.





HEADSET

Inspection

The headset bearing adjustment should be checked every month. This is important as it is the headset which locks the fork into the frame, and if loose, can cause damage or result in an accident. While standing over the frame top tube with both feet on the ground, apply the front brake firmly and rock the bicycle back and forth; if you detect any looseness in the headset, it will need adjustment. Check that the headset is not over tight by slowly rotating the fork to the right and left. If the fork tends to stick or bind at any point, the bearings are too tight.

Note: If your bike is equipped with a threadless headset, please see a qualified specialist for repairs and adjustments.

Adjustment

Loosen the headset top locknut or remove it completely along with the reflector bracket, if fitted. Turn the adjusting cup clockwise until finger tight. Replace the lock washer or reflector bracket and re-tighten the lock nut using a suitable wrench.

Note: Do not over tighten or bearing damage will occur.

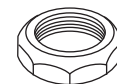


Always make sure that the headset is properly adjusted and that the headset locknut is fully tightened before riding.



Warning: Over tightening the stem bolt or headset assembly may cause damage to the bicycle and/or injury to the rider.

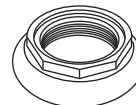
Standard Headset



← Lock Nut



← Lock Washer



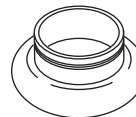
← Adjusting Cup/Cone



← Ball Retainer



← Top Head Cup



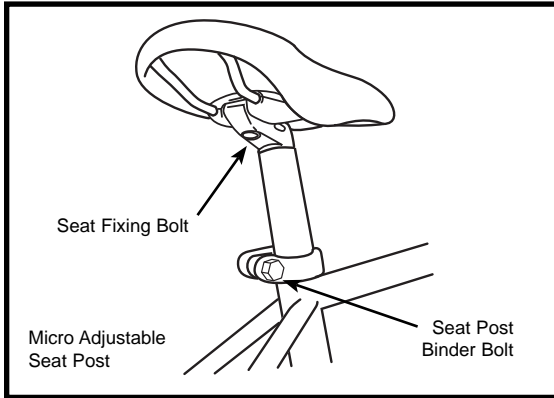
← Bottom Head Cup



← Ball Retainer



← Crown Race



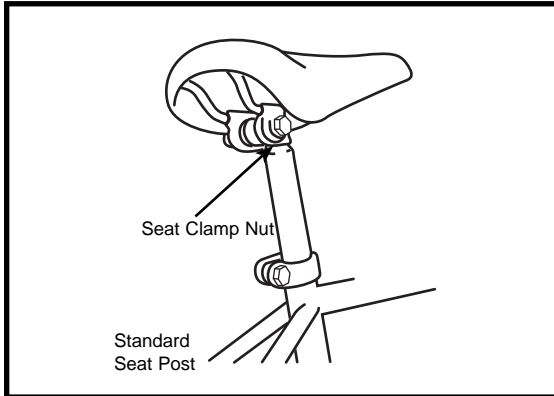
SADDLE AND SEAT POST

Inspection

The seat fixing bolt and the seat post binder bolt should be checked for tightness and adjustment every month. On removing the seat post from the frame, you will notice a mark about 65mm up from the bottom with the words “max. height” or “minimum insertion”.



To avoid damage to either the seat post, the frame or possibly the rider, the minimum insertion mark must be inside the frame.



Lubrication

Remove the seat post from the frame and wipe off any grease, rust or dirt. Then apply a thin film of new grease to the part that will be inserted into the frame. Re-insert, adjust and tighten the seat post in the frame.





Adjustment

As mentioned in Part 2, the seat can be adjusted in height, angle and distance from the handlebars to suit the individual rider.

Seat angle is a matter of personal preference but the most comfortable position will usually be found when the top of the seat is almost parallel to the ground, or slightly raised at the front.

The seat can also be adjusted by sliding it forward or back along the mounting rails to obtain the most comfortable reach to the handlebars.

When fitting, position the seat post into the clamp under the seat and place it in the frame without tightening. Adjust it to the desired angle and position and tighten the clamping mechanism.

There are two types of seat clamps commonly in use. The most common employs a steel clamp with hexagonal nuts on either side to tighten. The other type, known as a micro-adjustable clamp, uses a single vertically mounted Allen head fixing bolt to tighten. After fixing the seat to the desired position on the post, adjust the height to the required level and tighten the binder bolt.

Note that the type of binder bolt may be either a hexagonal bolt, an Allen head bolt or a quick release mechanism. The operation of a seat post quick release mechanism is the same as for quick release hubs. (Refer to pages 56-57)

Test the security by grasping the seat and trying to turn it sideways. If it moves, you will need to further tighten the binder bolt.

Note: Remember that the minimum insertion mark must remain inside the frame assembly.

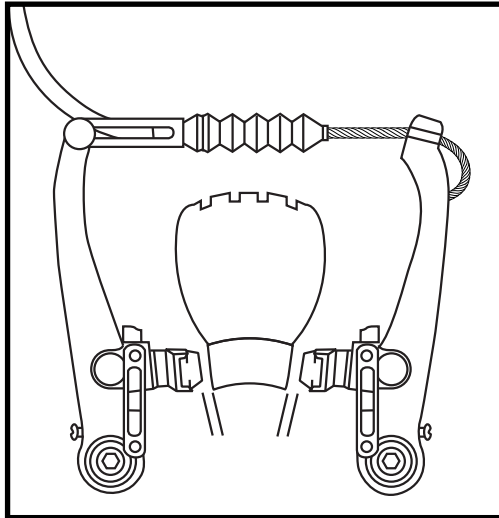
BRAKES

The correct adjustment and operation of your bicycle's brakes is extremely important for safe operation. Brakes should be checked for effective operation before every ride. Frequent checking of adjustment is necessary as the control cables will stretch and the brake pads will become worn with use.



Never ride a bicycle unless the brakes are functioning properly.

There are two types of hand operated bicycle V-brakes in common use: sidepull calipers and V-brake calipers. Both utilize a handlebar mounted lever which controls a cable to operate the brake. Sidepull brakes are mounted to the frame or fork via a single pivot point. Cantilever brakes use two brake pivot arms, each mounted on separate pivots on either side of the frame/fork.



Inspection

Brake levers should be checked for tightness at least every three months. They should be set in a comfortable position within easy reach of the rider's hands, and must not be able to move on the handlebar. Some brake levers make use of a reach adjustment screw, which can be altered to the distance between the handlebar grip and the lever, as required. The brake pads should be checked for correct positioning and tightness before every ride, and the various bolts and nuts at least every three months. Squeeze each brake lever to make sure they operate freely and that the brake pads press hard enough on the rims to stop the bike. There should be about 1mm - 2mm clearance between each pad and the rim when the brakes are not applied. The brake pads must be properly centered for maximum contact with the rim. Replace the brake pads if they are over worn so that the grooves or pattern cannot be seen. The brake cable wires should be checked for kinks, rust, broken strands or frayed ends. The outer casing should also be checked for kinks, stretched coils and other damage. If the cables are damaged, they should be replaced.

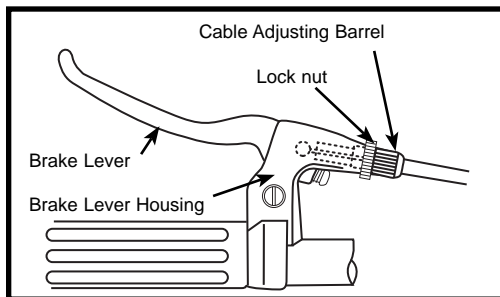




Some brakes have a quick release mechanism to allow easier wheel removal. Whenever you adjust the brakes, make sure the quick release mechanism is in the closed position.



Never ride unless the quick release is firmly locked in the closed position.

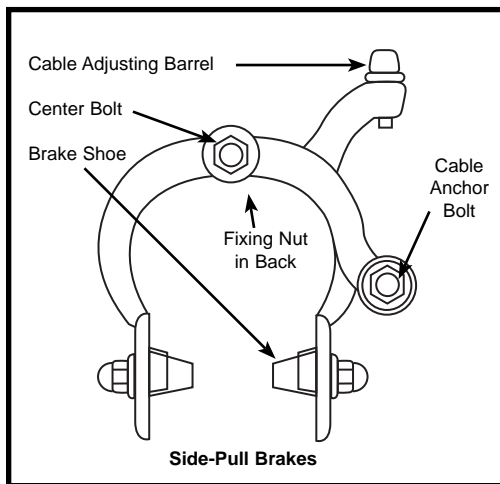


Lubrication

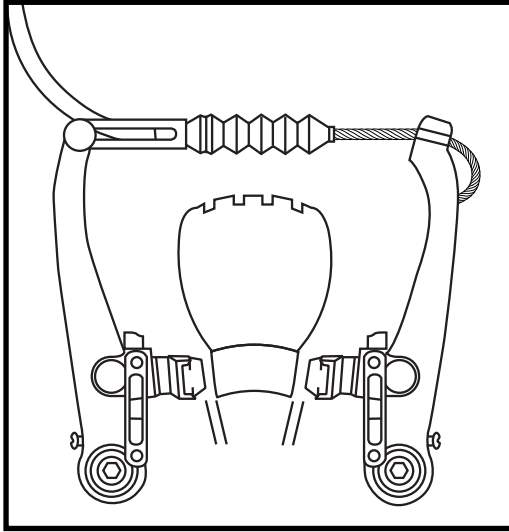
The brake lever and brake caliper pivot points should be oiled with 2-3 drops of light oil at least every three months to ensure smooth operation and to reduce wear. Cables should be lubricated along their entire length, after removing them from their casings, at least every six months. Always lubricate new cables before fitting.

Adjustment - Sidepull Calipers

Minor brake adjustment can be made via the cable adjusting barrel, usually located at the upper cable arm. To adjust, squeeze the brake pads against the rim, loosen the lock nut and turn the adjuster. Brake pad clearance should be a maximum 2mm from the rim. When correct, re-tighten the lock nut. If the pads cannot be set close enough to the rim in this manner, you may have to adjust the cable length. Screw the barrel adjuster 3/4 of the way in, squeeze the pads against the rim, undo the cable anchor bolt and pull the cable through with pliers. Re-tighten the cable anchor bolt and apply full force to the brake lever to test, then fine tune using the barrel adjuster. If one pad is closer to the rim than the other, loosen the fixing nut at the back of the brake, apply the brake to hold it centered, and re-tighten the fixing nut.



Ensure the Brake fixing nut is secured tightly. Failure to do this may cause the Brake assembly to dislodge from the fork.

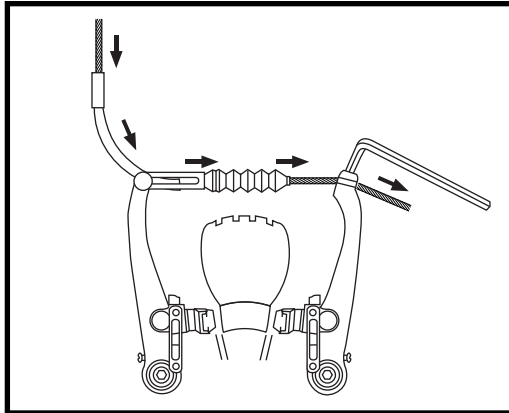


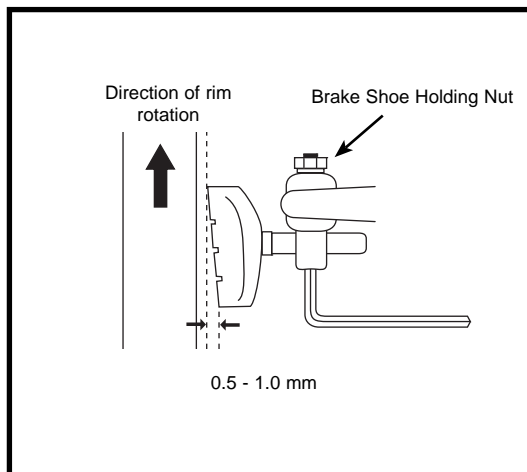
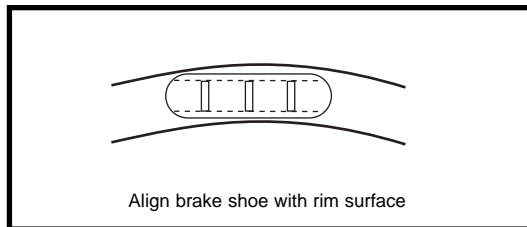
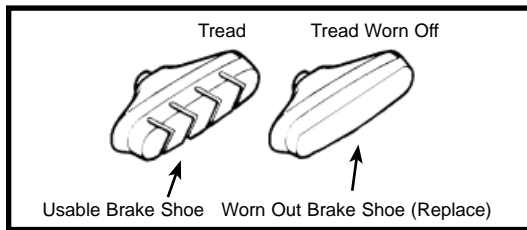
Some brakes have a special mechanism which enables you to set the clearance on either side of the rim using a screwdriver. Brake pads should finally be adjusted so that the leading edge of the pad makes first contact with the rim. Some brakes have special curved washers to allow this, but on less complex models it will be necessary to apply a little force to the pad and its mounting.

Adjustment - V-Style Brakes

Minor brake adjustment can be made via the barrel cable adjusters which are located on each brake lever. To adjust, squeeze the brake pads against the rim, loosen the lock nut, and turn the adjuster to pull the brake pads closer to, or spread them away from the rim as required.

Brake pad clearance should be a maximum 2mm from the rim. When correct, re-tighten the lock nut. If the pads cannot be set close enough to the rim in this manner, you may have to adjust the length of the brake cable by loosening the fixing bolt, then pulling or pushing the cable through the fixing bolt to adjust the length, and finally re-tightening the fixing bolt.

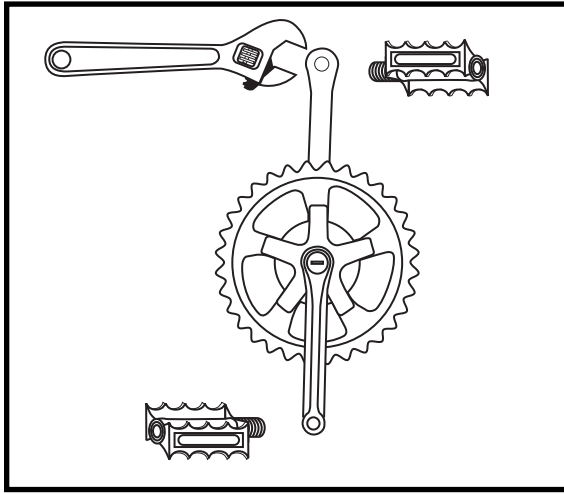




On some brakes, the main brake cable continues through the central cable carrier to an anchor bolt on one of the brake arms. Adjustment of the cable length is made after loosening the anchor bolt on the brake arm.

Adjust the brake pad position so that it is parallel to the wheel rim and so that the leading edge makes first contact. To do this, fit an Allen key into the brake pad holding bolt, loosen the fixing nut and adjust. Move the brake pad along its mounting post to alter the distance from the rim, and move the curved adjustment washer to alter the angle of the pad.

On some models there is a spring-force adjustment screw on the brake arm which allows further fine tuning of the brake shoe position.



DRIVETRAIN

The drivetrain of a bicycle refers to all parts that transmit power to the rear wheel including the pedals, chain, chainwheel, crank set and freewheel.

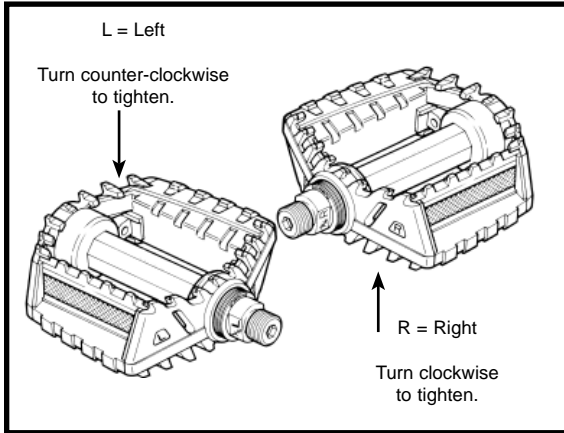
PEDALS

Pedals are available in a variety of shapes, sizes and materials, and each are designed with a particular purpose in mind. Some pedals can be fitted with toe clips and straps. These help to keep the feet correctly positioned and allow the rider to exert pulling force, as well as downward pressure, on the pedals. Use of toe clips with straps requires practice to acquire the necessary skill to operate them safely.

Inspection

Pedals should be inspected every month, taking note of the following areas:

- Check correct tightness into the crank arms. If pedals are allowed to become loose, they will not only be dangerous but will also cause irreparable damage to the cranks.
- Check that pedal bearings are properly adjusted. Move the pedals up and down, and right to left, and also rotate them by hand. If you detect any looseness or roughness in the pedal bearings then adjustment, lubrication or replacement is required.
- Ensure that the front and rear pedal reflectors are clean and securely fitted.
- Also ensure that the toe clips, if fitted, are securely tightened to the pedals.



Never ride with loose pedals.





Lubrication and Adjustment

Many pedals cannot be disassembled to allow access to the internal bearings and axle. However, it is usually possible to inject a little oil onto the inside bearings, and this should be done every six months. If the pedal is the type that can be fully disassembled, then the bearings should be removed, cleaned and greased every six to twelve months. Because of the wide variety of pedal types and their internal complexity, disassembly procedures are beyond the scope of this manual and further assistance should be sought from a specialist.



Never ride in traffic with fully tightened toe straps.

Attachment

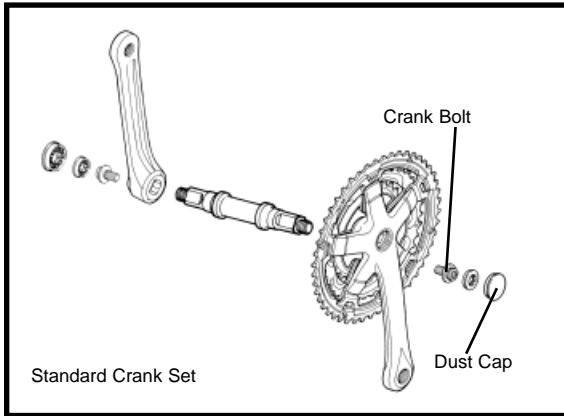
Note: The right and left pedals of a bicycle each have a different thread and are not interchangeable.

Never force a pedal into the incorrect crank arm. The right pedal, which attaches to the chainwheel side, is marked 'R' on the end of the axle, and screws in with a clockwise thread. The left pedal, which attaches to the other crank arm, is marked 'L' on the axle, and screws in with a counter-clockwise thread.

Insert the correct pedal into the crank arm and begin to turn the thread with your fingers only. When the axle is screwed all the way in, securely tighten using a 15mm wrench.

If removing a pedal, remember that the right pedal axle must be turned counter clockwise, i.e. the reverse of when fitting. If replacing the original pedals with a new set, make sure the size and the axle thread is compatible with the cranks on your bicycle. Bicycles use one of two types of cranks and these use different axle threads. Your bike may be equipped with cranks that are a one piece design with no separate axle. These operate with pedals that have a 1/2" (12.7mm) thread. Bikes equipped with three piece crank sets with a separate axle, left crank and right crank, use a slightly larger 9/16" (14mm) thread.

Note: Never try and force a pedal with the wrong thread size into a bicycle crank.



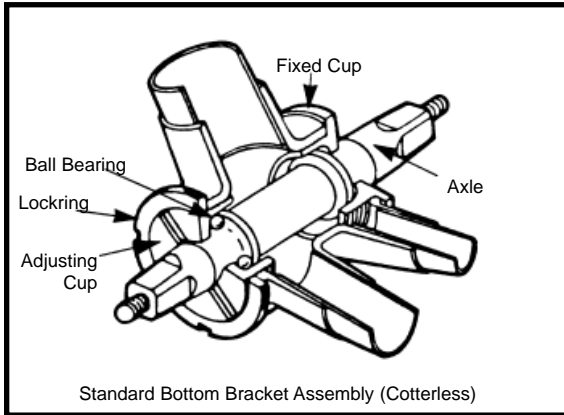
CRANK SET

The crank set refers to the bottom bracket axle and bearings, the crank arms, and chainrings.

Your bike may be fitted with either a one piece crank, where the crank arms and bottom bracket are a single component, or a standard crank set, where each crank arm bolts onto the bottom bracket axle using nuts or bolts. The one piece system is simpler and requires less maintenance, while the standard crank system requires a little extra care.



Never ride your bike if the cranks are loose. This may be dangerous and will damage the crank arms beyond repair.



Inspection

The crank set should be checked for correct adjustment and tightness every month. Crank nuts must be kept tight, and the bottom bracket bearings must be properly adjusted. Remove the chain and try to move the cranks from side to side with your hands. The cranks should not move on the axle, and there should be only very slight movement in the bottom bracket. Next, spin the cranks. If they don't spin freely without grinding noise, then adjustment or lubrication will be needed. Also check that there are no broken teeth on the chainrings, and wipe off excess dirt and grease that may have built up on them.



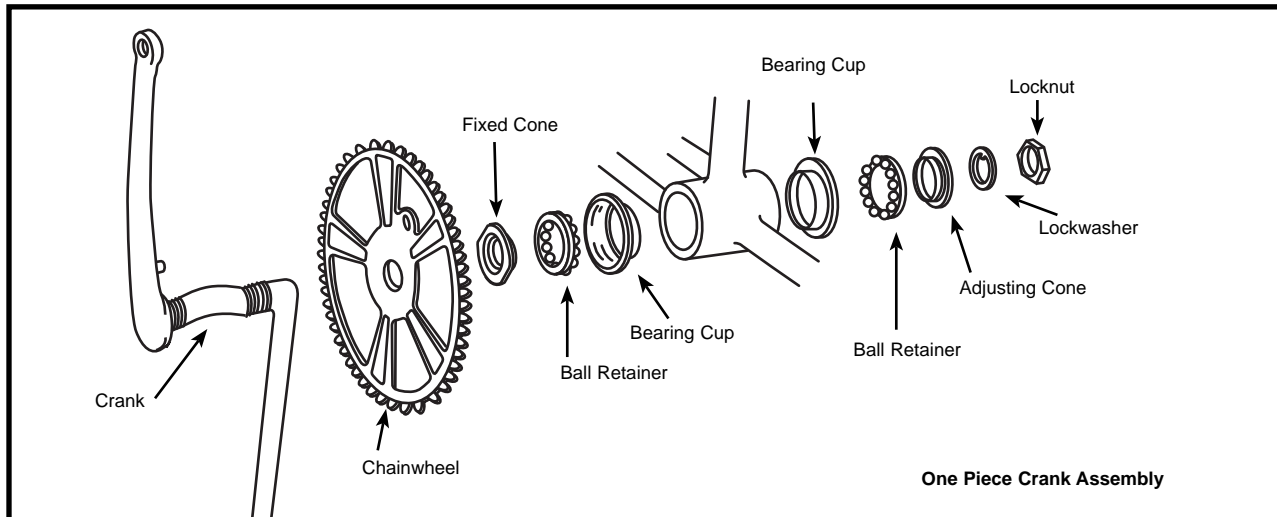


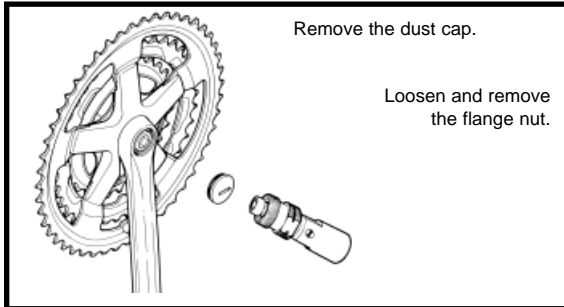
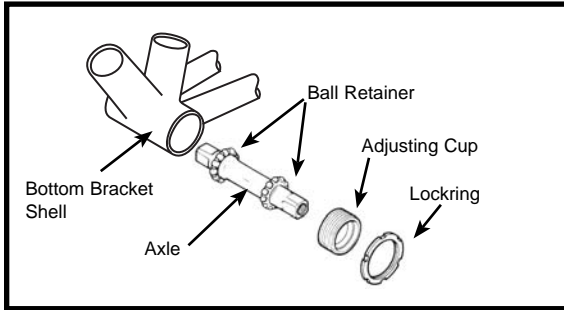
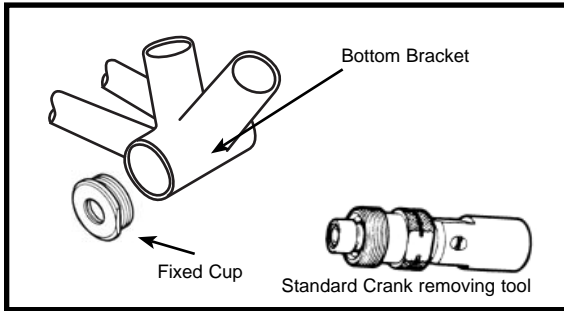
Lubrication and Adjustment - One Piece Cranks

To adjust the free play in a one piece type bottom bracket, loosen the locknut on the left side by turning it clockwise and tighten the adjusting cone counter-clockwise using a screwdriver in the slot. When correctly adjusted, re-tighten the locknut counter-clockwise.

To disassemble:

1. Remove the chain from the chainwheel.
 2. Remove the left pedal by turning the spindle clockwise.
 3. Remove the left side locknut by turning it clockwise and remove the keyed lockwasher.
 4. Remove the adjusting cone by turning it clockwise with a screwdriver.
 5. Remove the left ball retainer, slide the crank assembly out of the frame to the right, and remove the right ball retainer.
- Clean and inspect all bearing surfaces and ball retainers, and replace any damaged parts. Pack the ball bearing retainers with grease, then re-assemble in the reverse of the above procedure.





Lubrication and Adjustment

- Standard Cranks

To adjust the free play in a three piece type bottom bracket, loosen the locking on the left side by turning it counter-clockwise, then turn the adjusting cup as required. Re-tighten the locking taking care not to alter the cup adjustment.

To disassemble:

1. Remove the cranks from the axle.
2. Remove the left side locking by turning it counter-clockwise.
3. Remove the adjusting cup by turning it counter-clockwise.
4. Remove the left ball retainer and slide the axle out of the frame to the left.
5. Remove the right side fixed cup by turning it counter-clockwise and remove the right ball retainer. Clean and inspect all bearing surfaces and ball retainers, and replace any damaged parts. Pack the ball bearing retainers with grease, then re-assemble in reverse of the above procedure.

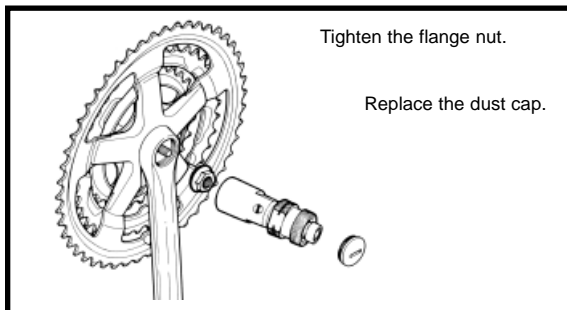
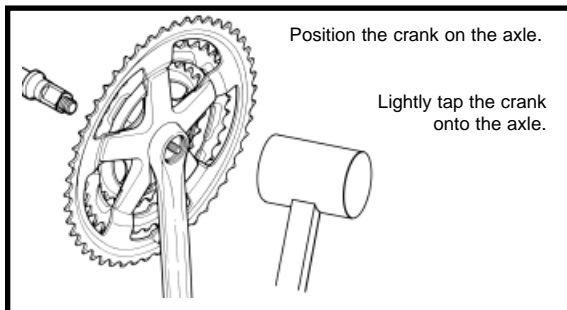
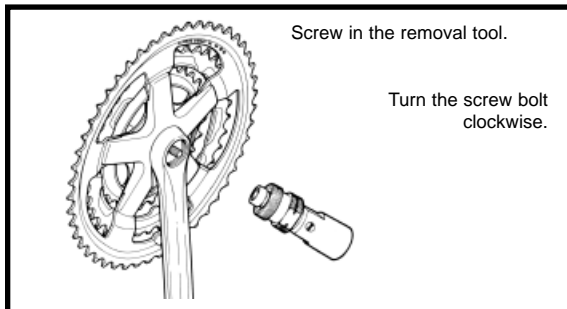
Standard Crank Removal

To remove cotterless cranks use the following procedure.

Note that a special tool will be required.

1. Remove the dust cap with a coin or screwdriver.
2. Loosen the flange nut or bolt and washer, and remove.
3. Screw the removing tool into the crank and tighten.
4. Turn the screw bolt down until the crank comes away from the axle.





Standard Crank Replacement:

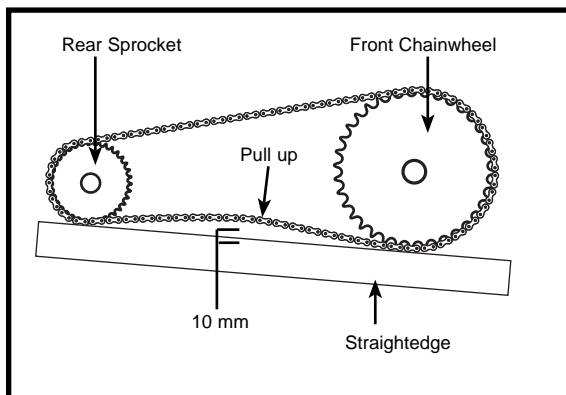
1. Replace the crank arm onto the axle.
2. Tap the crank arm lightly with a mallet.
3. Refit the washer and tighten flange nut or bolt securely to a torque of 27Nm.
4. Replace the dust cover

Adjustment After Use:

1. Remove dust cap.
2. Tap the crank arm lightly with a mallet.
3. Re-tighten the flange nuts, and refit the dust caps.



New cranks may become loose with initial use. Perform the following task after several hours of riding, and repeat it two or three times after further use. Cranks should then remain tight.



CHAINS

Inspection

The chain must be kept clean, rust free and frequently lubricated in order to extend its life as long as possible. It will require replacement if it stretches, breaks, or causes inefficient gear shifting. Make sure that there are no stiff links, they must all move freely.

Lubrication

The chain (bicycle and motor drive) should be lubricated with light oil at least every month, or after use in wet, muddy, or dusty conditions. Take care to wipe off excess oil, and not to get oil on the tires or rim braking surfaces.

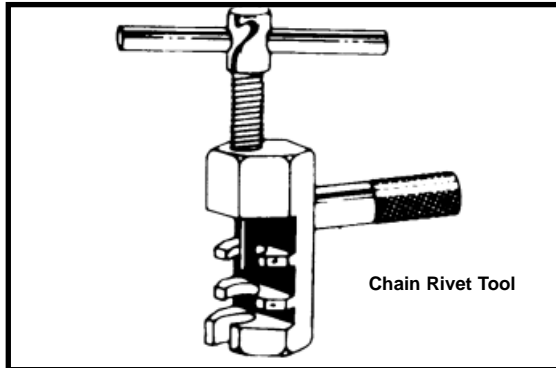




Adjustment and Replacement

On derailleur geared bicycles the rear derailleur automatically tensions the chain. To adjust the chain on single speed freewheel, coaster hub braked or 3-speed hub geared bicycles:

1. Loosen the rear axle nuts (and coaster brake arm clip if fitted) and move the wheel forward to loosen, or backward to tighten, in the frame.
2. When correctly adjusted, the chain should have approximately 10mm (3/8") of vertical movement when checked in the center between the chainwheel and rear sprocket. Center the wheel in the frame and re-tighten the axle nuts after any adjustment. Bicycles which have a single speed freewheel, coaster hub brake or 3-speed hub, generally use a wider type chain than derailleur geared bicycles. These chains can be disconnected by way of a special U-shape joining link, that can be pried off of the master link with a screwdriver. To replace, feed the chain around the chainwheel and rear sprocket, fit the master link into the rollers into each end of the chain, position the master link side plate, and slip on the U-shaped snap-on plate. Make sure the open end of the U-shaped plate is trailing as the link approaches the chainwheel when pedaling forward.



Derailleur geared bicycles use narrower chains and require a special tool to fit and remove chain links, or to change the length. To remove, fit the rivet tool so that the punch pin is centered over any one of the chain rivets. Push the rivet almost all the way out, then back out the punch and remove the tool. Holding the chain on both sides of the punched rivet, bend it slightly to release link from the rivet. To install, feed chain around chainwheel, rear sprocket and derailleur cage with rivet facing away from the bicycle. Bring the two ends together within the special tool and punch the rivet into place. Be sure not to push rivet too far through side plate.

Motor Drive Chain Adjustment

- Tools Required:
- 5mm Allen wrench
- 10mm Box wrench

CX Bikes

1. Loosen the 4 Allen bolts that mount the motor bracket from underneath the frame.
2. Adjust the motor chain tensioner bolt until there is only about 10mm (3/8") slack in the motor drive chain.
3. Retighten the 4 motor bracket Allen bolts.



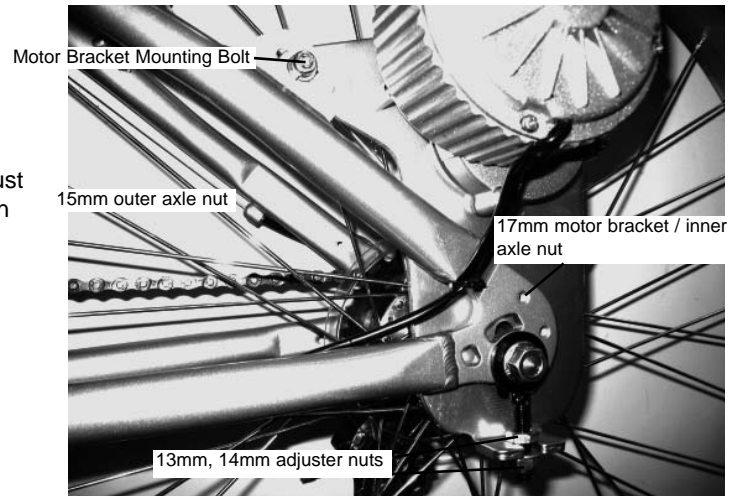
Chain Tensioner Bolt

4 Motor Bracket Mounting Bolts

Electric Bikes with Frame Mounted Cartridge Battery Packs and Vertical Mounted Motors

(Motor is mounted on the vertical plane of the wheel axle)

1. Loosen (do not remove) the 5mm motor bracket mounting bolt.
2. Loosen the 15mm outer axle nut.
3. Loosen the 17mm inner axle nut.
4. Loosen the 14mm top adjuster nut.
5. Tighten or loosen the 13mm lower adjuster nut to adjust the motor chain. (Note: Lowering the 2 nuts will loosen the chain, raising them will tighten the chain)
6. Adjust the motor chain tension to allow only about 5mm slack (3/16").
7. Tighten the 14mm top adjuster nut against the lower bracket tab and 13mm nut.
8. Tighten the 5mm motor bracket mounting bolt.
9. Tighten the 17mm inner axle nut.
10. Tighten the 15mm outer axle nut.



Motor Bracket Mounting Bolt

15mm outer axle nut

17mm motor bracket / inner axle nut

13mm, 14mm adjuster nuts

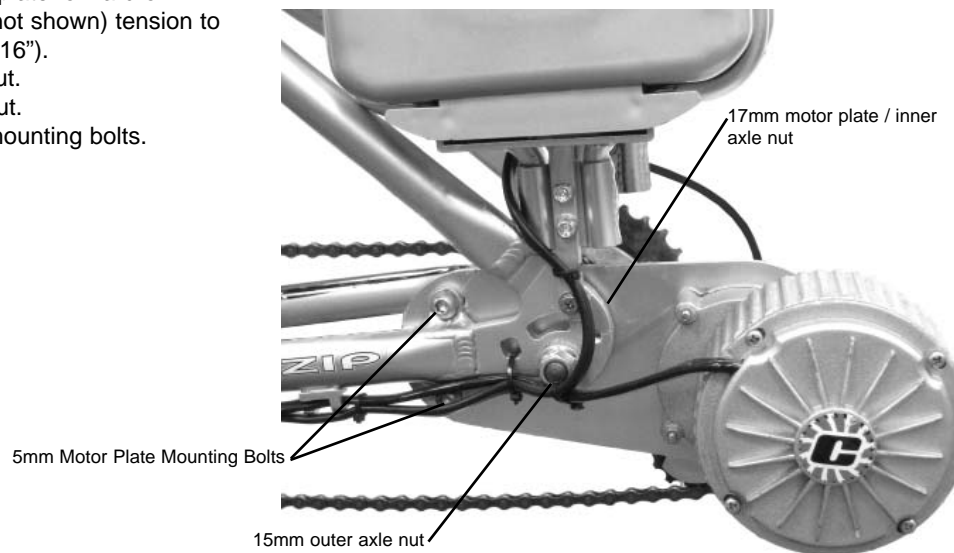


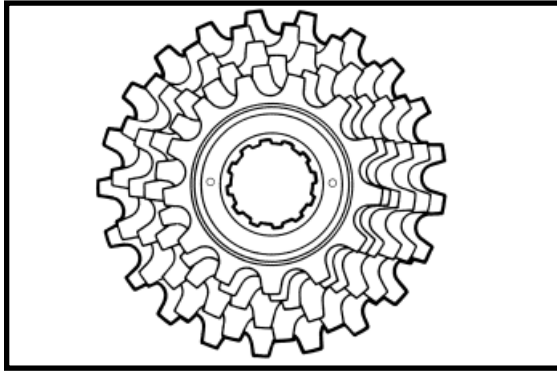


Electric Bikes with Rack Mounted Battery Packs and Horizontal Mounted Motors

(Motor is mounted on the horizontal plane of the wheel axle)

1. Loosen (do not remove) the two 5mm motor bracket mounting bolts.
2. Loosen the 15mm outer axle nut.
3. Loosen the 17mm thin inner axle nut.
4. Slide the motor with the motor plate forward or backward to adjust the chain (not shown) tension to allow only about 5mm slack (3/16").
5. Tighten the 17mm inner axle nut.
6. Tighten the 15mm outer axle nut.
7. Tighten the 5mm motor plate mounting bolts.





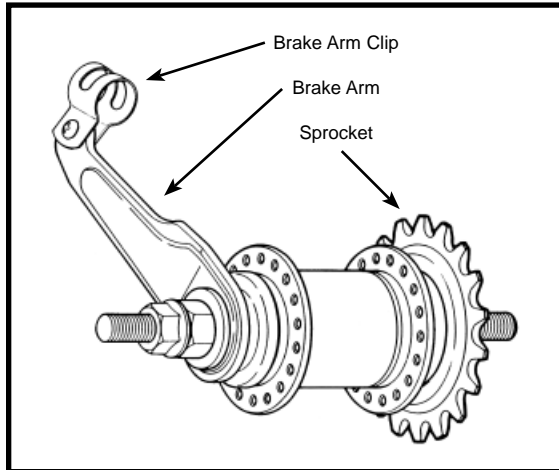
FREEWHEEL

Inspection

Like the chain, the freewheel must be kept clean and well lubricated. If the chain has become worn and needs replacing, then it is likely that the freewheel will also have become worn and should also be replaced. Take the chain off the freewheel and rotate it with your hand. If you hear a grinding noise or the freewheel stops suddenly after spinning it, it may need adjustment or replacement. Such action is beyond the scope of this manual and you should consult a specialist.

Lubrication

Remove any accumulated dirt from the freewheel with a brush and a degreaser. Disassembly of the freewheel is a complicated procedure requiring special tools, and should be left to a specialist. Apply oil to the freewheel whenever you lubricate the chain, taking care to wipe off any excess.



COASTER BRAKE HUB

Many BMX style and other children's bicycles are fitted with a coaster hub brake in the rear wheel. This type of brake offers the advantages of reliability and easy operation. The brake is operated by applying back pedal pressure and allows the rider to 'coast' without pedaling, if desired. There are several models of coaster hubs available, and the internal mechanisms are very complex. They require infrequent attention as far as lubrication, adjustment or replacement of internal parts; if needed, this should be left to a specialist. Keep the coaster hub sprocket clean and oil it along with the chain.



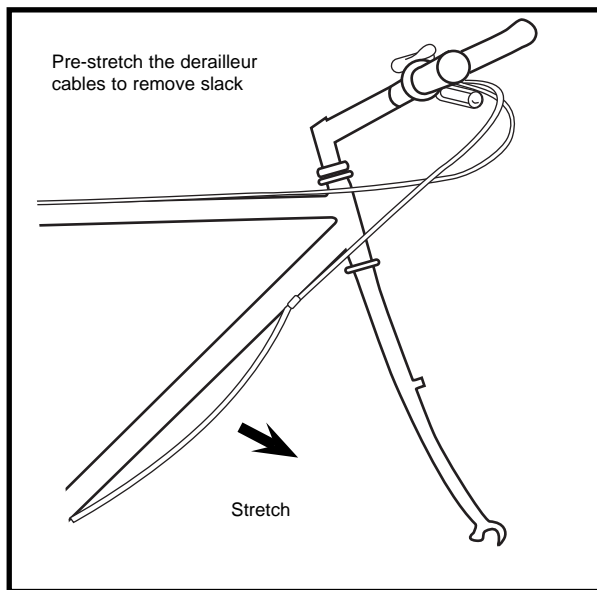
Make sure the brake arm is correctly attached to the chainstay with the brake arm clip. The brake will not operate otherwise.





DERAILLEUR SYSTEMS

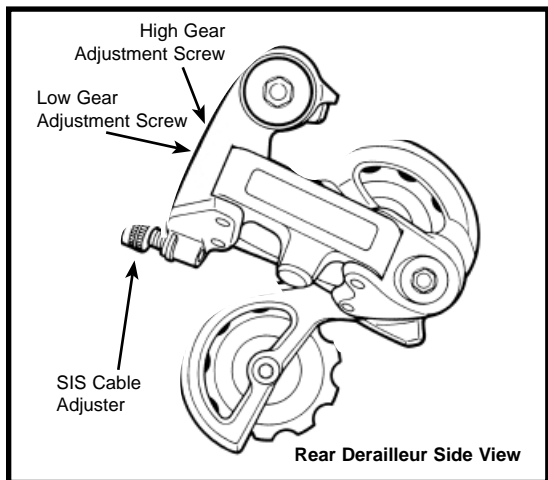
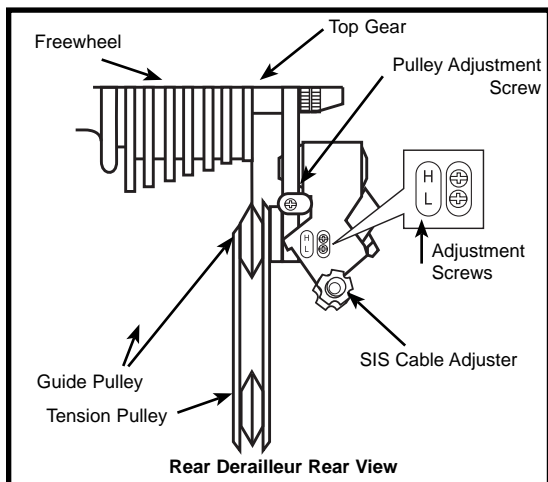
The derailleur system includes the front and rear derailleurs, the shift levers, and the derailleur control cables, all of which must function correctly for smooth gear shifting to occur. There are several different types of derailleur systems, but all operate using similar principles. Your new bicycle may be fitted with an “indexing” or “click” shifting system (SIS), which links each gear position to a positive click mechanism in the shifter, and makes shifting very simple and precise. A further development of SIS is the fully integrated system (STI) where the shift lever and brake lever mechanisms form an integrated unit on the handlebars.



Inspection

The operation of the derailleur system should be checked at least every month. Check the operation of the rear derailleur first, then the front. The rear derailleur should shift the chain cleanly from one cog to the next without hesitation. On SIS equipped bicycles, each notched position in the shifter must equate to a new gear position. After shifting, the rear derailleur should not rub on the chain. The derailleur should never cause the chain to fall off the inner or outer freewheel cogs.

The front derailleur should also shift the chain cleanly and without hesitation between each chainring. If your bicycle is equipped with front SIS, then each click or stop in the shifter should equate exactly to a new gear position. When the chain has been positioned onto a new chainring, it should not rub on the front derailleur. The chain should not fall off a chainring at any time. Derailleur control cables are a critical component that must be well maintained for accurate shifting performance. Check them for any sign of rust, fraying, kinks, broken strands and any damage to the cable housing. If you find any problems, the cables may need replacing before you ride.



Lubrication

All the pivoting points of the front and rear derailleurs should be lubricated with light oil at least every month. Be sure to wipe off any excess oil to prevent attraction of dirt into the mechanisms. The shifting cables should be cleaned and re-coated with a thin layer of grease every six months, or whenever new cables are being installed.

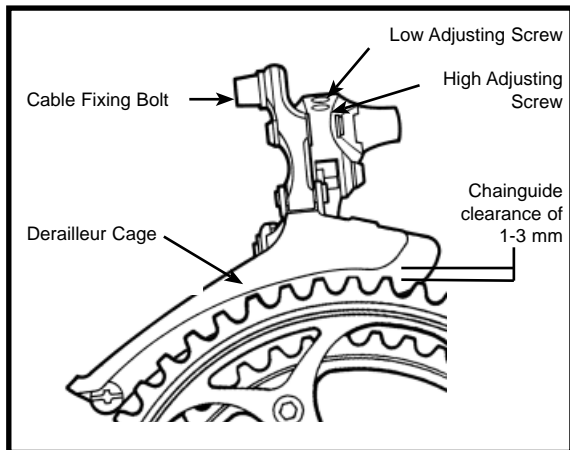
Adjustment - Rear Derailleur

The Low limit screw determines how far the rear derailleur will travel toward the wheel of the bicycle, while the High limit screw determines how far the cage will travel toward the frame.

1. Shift the rear shifter to the largest number indicated, disconnect the rear derailleur cable from the cable anchor bolt and place the chain on the smallest sprocket.
2. Adjust the High limit screw so the chain and the smallest sprocket are lined up vertically. Remove any slack in the cable by pulling it taut, then re-connect the cable and tighten the cable anchor bolt securely.
3. Shift up through the gears making sure that each gear is achieved quietly and without hesitation. If noise occurs, use the barrel adjuster to fine-tune the cable tension. Turning the barrel adjuster **clockwise** will decrease cable tension and allow the derailleur cage to move farther away from the bicycle in small increments. Turning **counter-clockwise** will increase cable tension and bring the cage closer to the bicycle. This will micro-adjust the positioning of the derailleur cage in relation to the freewheel. Simply put; turn the barrel adjuster the direction you want the chain to go.
4. Shift the chain onto the largest sprocket; adjust the low limit screw so the chain and the largest cog are lined up vertically. If you are unable to get the chain to the largest cog, turning the Low limit screw counter-clockwise will enable the chain to move towards the wheel.
5. Shift through the gears ensuring each gear is achieved quietly and without hesitation.

NOTE: It may take several adjustments to achieve the desired positioning. Please refer to the troubleshooting section for more assistance.





Adjustment - Front Derailleur

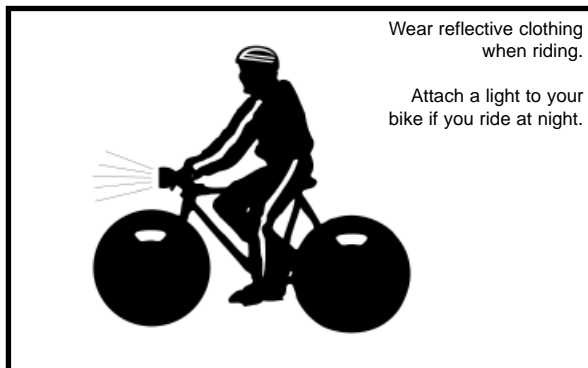
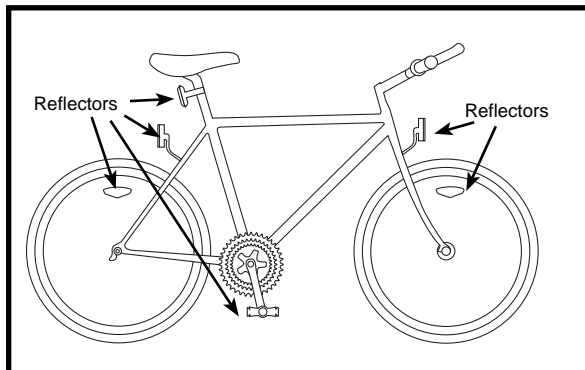
1. Shift the **rear** shifter to the smallest number indicated, then shift the **front** shifter to the smallest number indicated. Disconnect the front derailleur cable from the cable anchor bolt and place the chain on the smallest chainwheel.
2. Make sure the front derailleur cage is parallel with the outer chainwheel on the crankset. There must be a 1-3mm gap between the bottom of the derailleur cage and the top of the outer chainwheel teeth to ensure the derailleur will clear the chainwheel when shifting.
3. Adjust the Low limit screw so the chain is centered in the middle of derailleur cage. Pull all slack out of the cable by pulling it taut, then reconnect the cable and tighten the cable anchor bolt securely.
4. Shift the front shifter into the largest gear and pedal the bike so the chain jumps to the largest chainwheel. If the chain does not shift onto the largest chainwheel, you will need to turn the High limit screw counter-clockwise until the chain moves to the largest chainwheel. If the chain falls into the pedals, the High limit screw has been turned too far. You will need to readjust the High screw clockwise in 1/4 turn increments until the chain no longer falls off.
5. Shift through each gear ensuring all are achieved quietly and without hesitation.
6. The barrel adjuster for the front derailleur is located on the shift mechanism. Turning clockwise will decrease cable tension and allow the front derailleur cage to move away from the bike, while turning counter-clockwise will increase tension and bring the cage closer to the bike. If you are experiencing problems shifting between gears, use the barrel adjuster to fine-tune the cable tension.

NOTE: It may take several adjustments to achieve the desired positioning.

REFLECTORS

Your bicycle is supplied with one front (white), one rear (red), two wheel (white), and two pedal (orange) reflectors. These are an important safety and legal requirement, and should remain securely fitted and in good, clean conditions at all times.

Periodically, inspect all reflectors, brackets and mounting hardware for signs of wear or damage. Replace immediately if damage is found. Please see pages 21-22 for more information.





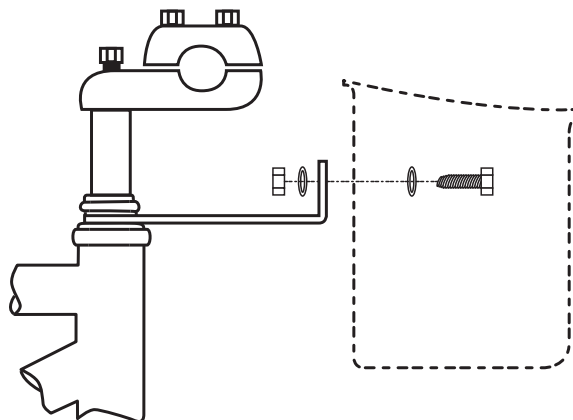
MISCELLANEOUS ACCESSORIES

Your bicycle might be shipped with accessories that can be added onto your new bicycle. The following will detail how and where to attach your miscellaneous accessories.

Basket Assembly

Your bicycle may be supplied with an attachable front basket. You must make sure that the basket is attached properly.

First insert the washer onto the 10mm hex head bolt. Then insert hex head bolt through the basket, and through the basket bracket assembly (on bike). Next, insert a second washer onto the bolt and thread a 10mm nyloc nut onto the bolt behind the basket bracket assembly. Tighten bolts until snug. Repeat for second bolt. See diagram at the right.





Problem	Possible Cause	Remedy
Gear shifts not working properly	<ul style="list-style-type: none">- Derailleur cables sticking/stretched/damaged- Front or rear derailleur not adjusted properly- Indexed shifting not adjusted properly	<ul style="list-style-type: none">- Lubricate/tighten/replace cables- Adjust derailleurs- Adjust indexing
Slipping chain	<ul style="list-style-type: none">- Excessively worn/chipped chainring or freewheel sprocket teeth- Chain worn/stretched- Stiff link in chain- Non compatible chain/chainring/freewheel	<ul style="list-style-type: none">- Replace chainring, sprockets and chain- Replace chain- Lubricate or replace link- Seek advice at a bicycle shop
Chain jumping off freewheel sprocket or chainring	<ul style="list-style-type: none">- Chainring out of true- Chainring loose- Chainring teeth bent or broken- Rear or front derailleur side-to-side travel out of adjustment	<ul style="list-style-type: none">- Re-true if possible, or replace- Tighten mounting bolts- Repair or replace chainring/set- Adjust derailleur travel
Constant clicking noises when pedaling	<ul style="list-style-type: none">- Stiff chain link- Loose pedal axle/bearings- Loose bottom bracket axle/bearings- Bent bottom bracket or pedal axle- Loose crankset	<ul style="list-style-type: none">- Lubricate chain / Adjust chain link- Adjust bearings/axle nut- Adjust bottom bracket- Replace bottom bracket axle or pedals- Tighten crank bolts
Grinding noise when pedaling	<ul style="list-style-type: none">- Pedal bearings too tight- Bottom bracket bearings too tight- Chain fouling derailleurs- Derailleur jockey wheels dirty/binding	<ul style="list-style-type: none">- Adjust bearings- Adjust bearings- Adjust chain line- Clean and lubricate jockey wheels



Problem

Possible Cause

Remedy

Freewheel does not rotate

- Freewheel internal pawl pins are jammed

- Lubricate. If problem persists, replace freewheel

Brakes not working effectively

- Brake blocks worn down
- Brake blocks/rim greasy, wet or dirty
- Brake cables are binding/stretched/damaged
- Brake levers are binding
- Brakes out of adjustment

- Replace brake blocks
- Clean blocks and rim
- Clean/adjust/replace cables
- Adjust brake levers
- Center brakes

When applying the brakes they squeal/squeak

- Brake blocks worn down
- Brake block toe-in incorrect
- Brake blocks/rim dirty or wet
- Brake arms loose

- Replace blocks
- Correct block toe-in
- Clean blocks and rim
- Tighten mounting bolts

Knocking or shuddering when applying brakes

- Bulge in the rim or rim out of true
- Brake mounting bolts loose
- Brakes out of adjustment
- Fork loose in head tube

- True wheel or take to a bike shop for repair
- Tighten bolts
- Center brakes and/or adjust brake block toe-in
- Tighten headset

Wobbling wheel

- Axle broken
- Wheel out of true
- Hub comes loose
- Headset binding
- Hub bearings collapsed
- QR mechanism loose

- Replace axle
- True wheel
- Adjust hub bearings
- Adjust headset
- Replace bearings
- Adjust QR mechanism

Problem

Possible Cause

Remedy

Steering not accurate

- Wheels not aligned in frame
- Headset loose or binding
- Front forks or frame bent

- Align wheels correctly
- Adjust/tighten headset
- Take bike to a bike shop for possible frame realignment

Frequent punctures

- Inner tube old or faulty
- Tire tread/casing worn
- Tire unsuited to rim
- Tire not checked after previous puncture
- Tire pressure too low
- Spoke protruding into rim

- Replace Inner tube
- Replace tire
- Replace with correct tire
- Remove sharp object embedded in tire
- Correct tire pressure
- File down spoke





PROBLEM	POSSIBLE CAUSE	REMEDY
Bicycle has reduced range and/or speed	Low batteries Faulty batteries Low tire pressure Brakes dragging against rim Riding in hilly terrain, headwind, etc.	Charge batteries for recommended time Replace batteries Inflate tires to recommended pressure Adjust brakes and/or rim Reduced range to be expected in these types of terrain and/or weather conditions
Hub motor (Enlightened Series) makes a "clicking" noise and has reduce power and/or shuts off	Low batteries Damaged planetary gears	Charge batteries for recommended time Replace hub motor/wheel
No power when the switch is turned "ON"	Blown fuse Loose connectors Broke wire Faulty switch Faulty controller	Replace fuse Check all connectors Inspect all wires for damage Replace switch and retest Replace controller and retest
Bicycle operates OK but battery gauge does not light up	Loose connectors Damaged wires Faulty battery gauge	Check throttle and/or battery gauge connectors Inspect all wires Replace battery gauge
Battery gauge lights up but bicycle does not operate	Faulty brake inhibitor Loose motor wire connector Faulty PTS sensor (Enlightened Series) Faulty TTM sensor (Enlightened Series)	Replace brake inhibitor(s) and retest Check motor wire connector Replace PTS sensor and retest Replace TTM sensor and retest



PROBLEM	POSSIBLE CAUSE	REMEDY
Bicycle runs at full speed without pedaling	Faulty PTS sensor (Enlightened Series)	Replace PTS sensor and retest
	Faulty TTM sensor (Enlightened Series)	Replace TTM sensor and retest
	Faulty throttle	Replace throttle and retest
	Faulty controller	Replace controller and retest
Bicycle (RMB or STB Series) works in TAG mode but not in PAS mode	Sensor and sensor ring not aligned	Realigned so gap between sensor and sensor ring is 1-2mm
	Faulty "White Box"	Replace "White Box" and retest
Battery indicates full charge when tested at the charger port but bicycle does not operate	Blown fuse	Replace fuse
	Loose connectors	Check all connectors
	Poor contact between battery terminals	Inspect and clean battery terminals
Throttle (on bicycles so equipped) does not spring back to neutral position	Grip jammed against throttle	Reposition grip so gap between it and the throttle is 1-2mm
	Faulty throttle	Replace throttle
Bicycle has intermittent power	Loose connectors	Check all connectors
	Loose fuse	Check fuse connector
	Damaged wires	Inspect all wires
Charger shows a full charge in an unusually short amount of time	Faulty charger	Replace charger
	Faulty batteries	Replace batteries
Indicator light on charger not illuminated when charger is plugged into outlet	Outlet has no power	Check outlet for power
	Blown fuse (NiMH and Li-Ion chargers)	Replace fuse
	Faulty charger	Replace charger
Charger (NiMH and Li-Ion) indicator light only flashes orange and never changes to red	Damage wire from charger port to battery	Inspect wire
	Faulty batteries	Replace batteries

6. How Things Work

It's important to your performance, enjoyment and safety to understand how things work on your bicycle. Even if you're an experienced cyclist, don't assume that the way things work on your new bike is the same as how they work on older bikes. Be sure to read and to understand this section of the Manual. If you have even the slightest doubt as to whether you understand something, talk to a qualified specialist.

A. Wheel Quick Release

WARNING: Riding with an improperly adjusted wheel quick release can allow the wheel to wobble or disengage from the bicycle, causing damage to the bicycle, and serious injury or death to the rider. Therefore, it is essential that you:

1. Make sure you know how to install and remove your wheels safely.
2. Understand and apply the correct technique for clamping your wheel in place with a quick release.
3. Each time, before you ride the bike, check that the wheel is securely clamped.

Invented in the 1930s to allow quick, easy wheel removal without the need for tools, the bicycle wheel quick release has become standard equipment on most recreational, sports and competition bicycles. While it looks like a long bolt with a lever on one end and a nut on the other, the wheel quick release uses a cam action to clamp the bike's wheel in place. Because of its adjustable nature, it is critical that you understand how it works and how to use it properly.

CAUTION: The full force of the cam action is needed to clamp the wheel securely. Holding the nut with one hand and turning the lever like a wing nut with the other hand until everything is as tight as you can get it will not clamp the wheel safely in the dropouts.

1. Adjusting the quick release mechanism

The wheel hub is clamped in place by the force of the quick release cam pushing against one dropout and pulling the tension adjusting nut, by way of the skewer, against the other dropout. The amount of clamping force is controlled by the tension adjusting nut. Turning the tension adjusting nut clockwise while keeping the cam lever from rotating increases clamping force; turning it counterclockwise while keeping the cam lever from rotating reduces clamping force. Less than half a turn of the tension adjusting nut can make the difference between safe clamping force and unsafe clamping force.


NOTE: Once the quick release is installed in the hub axle by the manufacturer or the dealer, it never needs to be removed unless the hub itself requires servicing. If the hub requires servicing, consult a qualified specialist.

2. Front Wheel Secondary Retention Devices

Many bicycles have front forks which utilizes a secondary wheel retention device to keep the wheel from disengaging if the quick release is incorrectly adjusted. Secondary retention devices are not a substitute for correct quick release adjustment.

Secondary retention devices fall into two basic categories:

- a) The clip-on type is an accessory part which the manufacturer adds to the front wheel hub or front fork.
- b) The integral type is molded, cast or machined into the outer faces of the front fork dropouts.
- c) Ask your dealer to explain the particular secondary retention device on your bike.

 **WARNING:** Removing or disabling the secondary retention device is extremely dangerous and may lead to serious injury or death. It also may void the warranty.


3. Removing or Installing Quick Release Wheels

a) Removing a Quick Release Front Wheel

- (1) Open up the brake shoes.
- (2) Rotate the wheel's quick-release lever from the locked or **CLOSED** position to the **OPEN** position.
- (3) If your front fork does not have a secondary retention device go to step 5.
- (4) If your front fork has a clip-on type secondary retention device, disengage it and go to step (5). If your front fork has an integral secondary retention device, loosen the tension adjusting enough to allow removing the wheel; then go to step (5).
- (5) Raise the front wheel a few inches off the ground and tap the top of the wheel with the palm of your hand to knock the wheel out of the front fork.

b) Installing a Quick Release Front Wheel

- (1) Rotate the quick-release lever so that it curves away from the wheel. This is the **OPEN** position.
- (2) With the steering fork facing forward, insert the wheel between the fork blades so that the axle seats firmly at the top of the slots which are at the tips of the fork blades — the fork drop-outs. The quick-release lever should be on the left side of the bicycle. If your bike has a clip-on type secondary retention device, engage it.
- (3) Holding the quick-release lever in the **OPEN** position with your right hand, tighten the tension adjusting nut with your left hand until it is finger tight against the fork dropout.
- (4) While pushing the wheel firmly to the top of the slots in the fork dropouts, and at the same time centering the wheel rim in the fork, rotate the quick-release lever upwards and push it into the **CLOSED** position (refer to pages 56-57). The lever should be parallel to the fork blade and curved toward the wheel.

 **CAUTION:** If you can fully close the quick release without wrapping your fingers around the fork blade for leverage, and the lever does not leave a clear imprint in the palm of your hand, the tension is insufficient.





Open the lever; turn the tension adjusting nut clockwise a quarter turn; then try again.

(5) If the lever cannot be pushed all the way to a position parallel to the fork blade, return the lever to the **OPEN** position. Then turn the tension adjusting nut counterclockwise one-quarter turn and try tightening the lever again.

(6) Close the brake shoes; then spin the wheel to make sure that it is centered in the frame and clears the brake shoes.



WARNING: Secondary retention devices are not a substitute for correct quick release adjustment. Failure to properly adjust the quick release mechanism can cause the wheel to wobble or disengage, which could cause you to lose control and fall, resulting in serious injury or death.

c. Removing a Quick Release Rear Wheel

(1) Shift the rear derailleur to high gear (the smallest, outermost rear sprocket).

(2) Open up the brake shoes.

(3) Pull the derailleur body back with your right hand.

(4) Rotate the quick-release lever to the **OPEN** position.

(5) Lift the rear wheel off the ground a few inches and, with the derailleur still pulled back, push the wheel forward and down until it comes out of the rear dropouts.

d. Installing a Quick Release Rear Wheel

(1) Shift the rear derailleur to its outermost position

(2) Pull the derailleur body back with your right hand.

(3) Rotate the quick-release lever to the **OPEN** position. The lever should be on the side of the wheel opposite the derailleur and freewheel sprockets.

(4) Put the chain on top of the smallest free wheel sprocket. Then, insert the wheel into the frame dropouts and pull it all the way in to the dropouts.

(5) Tighten the adjusting nut until it is finger tight against the frame dropout; then rotate the lever toward the front of the bike until it is parallel to the frame's chainstay or seatstay and is curved toward the wheel.

CAUTION: If you can fully close the quick release without wrapping your fingers around the fork blade for leverage, and the lever does not leave a clear imprint in the palm of your hand, the tension is insufficient. Open the lever; turn the tension adjusting nut clockwise a quarter turn; then try again.

(6) If the lever cannot be pushed all the way to a position parallel to the chainstay or seatstay tube, return the lever to the **OPEN** position. Then turn the adjusting nut counterclockwise one-quarter turn and try tightening again.

(7) Push the rear derailleur back into position.

(8) Close the brake shoes; then spin the wheel to make sure that it is centered in the frame and clears the brake shoes.

4. Removing and Installing Bolt-On Wheels

a. Removing a Bolt-On Front Wheel

- (1) Open up the brake shoes.
- (2) With a 15mm box wrench or a six inch adjustable wrench, loosen the two axle nuts.
- (3) If your front fork has a clip-on type secondary retention device, disengage it and go to step (4). If your front fork has an integral secondary retention device, loosen the axle nuts about six full turns; then go to step (4).
- (4) Raise the front wheel a few inches off the ground and tap the top of the wheel with the palm of your hand to knock the wheel out of the fork ends.

b. Installing a Bolt-On Front Wheel

- (1) With the steering fork facing forward, insert the wheel between the fork blades so that the axle seats firmly at the top of the slots which are at the tips of the fork blades. The axle nut washers should be on the outside, between the fork blade and the axle nut. If your bike has a clip-on type secondary retention device, engage it.
- (2) While pushing the wheel firmly to the top of the slots in the fork dropouts, and at the same time centering the wheel rim in the fork, use a six-inch adjustable wrench or a 15mm box wrench to tighten the axle nuts as tight as you can.
- (3) Close the brake shoes; then spin the wheel to make sure that it is centered in the frame and clears the brake shoes.

c. Removing a Bolt-On Rear Wheel

- (1) Open the rear brake shoes.
- (2) Shift the rear derailleur to high gear (the smallest rear sprocket) and pull the derailleur body back with your right hand
- (3) With a 15mm box wrench or a six-inch adjustable wrench, loosen the two axle nuts.
- (4) Lift the rear wheel off the ground a few inches and, with the derailleur still pulled back, push the wheel forward and down until it comes out of the rear dropouts.

d. Installing a Bolt-On Rear Wheel

- (1) Shift the rear derailleur to its outermost position and pull the derailleur body back with your right hand.
- (2) Put the chain on to the smallest sprocket. Then, insert the wheel into the frame dropouts and pull it all the way in to the dropouts. The axle nut washers should be on the outside, between the frame and the axle nut.
- (3) Tighten the axle nuts as tightly as you can, using a six-inch adjustable wrench or a 15mm box wrench.
- (4) Push the rear derailleur back into position.
- (5) Close the brake; then spin the wheel to make sure that it is centered in the frame and clears the brake shoes.





B. Seatpost Quick Release

Many mountain bikes are equipped with quick-release seat post skewers. The seatpost quick-release skewer works exactly like the wheel quick-release. While a quick release looks like a long bolt with a lever on one end and a nut on the other, the quick release uses a cam action to firmly clamp the seat post.



WARNING: Riding with an improperly tightened seat post can allow the saddle to turn or move and cause you to lose control and fall. Therefore:

1. Make sure you know how to correctly clamp your seat post.
2. Understand and apply the correct technique for clamping your seat post quick release.
3. Before you ride the bike, first check that the seatpost is securely clamped.

Adjusting the quick release mechanism

The action of the quick release cam squeezes the seat collar around the seat post to hold the seat post securely in place. The amount of clamping force is controlled by the tension adjusting nut. Turning the tension adjusting nut clockwise while keeping the cam lever from rotating increases clamping force; turning it counterclockwise while keeping the cam lever from rotating reduces clamping force. Less than half a turn of the tension adjusting nut can make the difference between safe clamping force and unsafe clamping force.

CAUTION: The full force of the cam action is needed to clamp the seatpost securely. Holding the nut with one hand and turning the lever like a wing nut with the other hand until everything is as tight as you can get it will not clamp the seatpost safely.

CAUTION: If you can fully close the quick release and the lever does not leave a clear imprint in the palm of your hand, the tension is insufficient. Open the lever; turn the tension adjusting nut clockwise a quarter turn; then try again.

C. Brakes

NOTE: For most effective braking, use both brakes and apply them simultaneously.

WARNING: Sudden or excessive application of the front brake may pitch the rider over the handlebars, causing serious injury or death.

1. How brakes work


It's important to your safety that you instinctively know which brake lever controls which brake on your bike. In the U.S., bikes are required to be set up with the right brake lever controlling the rear brake, and the left lever controlling the front brake.

The braking action of a bicycle is a function of the friction between the brake surfaces -- usually the brake shoes and the wheel rim. To make sure that you have maximum friction available, keep your wheel rims and brake shoes clean and free of lubricants, waxes or polishes.

Make sure that your hands can reach and squeeze the brake levers comfortably. If your hands are too small to operate the levers comfortably, consult your dealer before riding the bike. The lever reach may be adjustable; or you may need a different brake lever design.

Most brakes have some form of quick release mechanism to allow the brake shoes to clear the tire when a wheel is removed or reinstalled. When the brake quick release is in the open position, the brakes are inoperative. Make sure that you understand the way the brake quick release works on your bike and check each time to make sure both brakes work correctly before you get on the bike.

Brakes are designed to control your speed, not just to stop the bike. Maximum braking force for each wheel occurs at the point just before the wheel "locks up" (stops rotating) and starts to skid. Once the tire skids, you actually lose most of your stopping force and all directional control. You need to practice slowing and stopping smoothly without locking up a wheel. The technique is called progressive brake modulation. Instead of jerking the brake lever to the position where you think you'll generate appropriate braking force, squeeze the lever, progressively increasing the braking force. If you feel the wheel begin to lock up, release pressure just a little to keep the wheel rotating just short of lockup. It's important to develop a feel for the amount of brake lever pressure required for each wheel at different speeds and on different surfaces. To better understand this, experiment a little by walking your bike and applying different amounts of pressure to each brake lever, until the wheel locks.

 **WARNING:** Some bicycle brakes, such as linear-pull and disc brakes, are extremely powerful. You should take extra care in becoming familiar with these brakes and exercise particular care when using them. Applying these brakes too hard or too suddenly can lock up a wheel, which could cause you to lose control and fall.

When you apply one or both brakes, the bike begins to slow, but your body wants to continue at the speed at which it was going. This causes a transfer of weight to the front wheel (or, under heavy braking, around the front wheel hub, which could send you flying over the handlebars). A wheel with more weight on it will accept greater brake pressure before lockup; a wheel with less weight will lock up with less brake pressure. So, as you apply brakes and your weight shifts forward, you need to shift your body toward the rear of the bike, to transfer weight back on to the rear wheel; and at the same time, you need to both decrease rear braking and increase front braking force. This is even more important on steep descents, because descents shift weight forward. The keys to effective speed control and safe stopping are controlling wheel lockup and weight transfer. Practice braking and weight transfer techniques where there is no traffic or other hazards and distractions.





Everything changes when you ride on loose surfaces or in wet weather. Tire adhesion is reduced, so the wheels have less cornering and braking traction and can lock up with less brake force. Moisture or dirt on the brake shoes reduces their ability to grip. The way to maintain control on loose or wet surfaces is to go more slowly to begin with.

2. Adjusting your brakes

If either brake lever on your bike fails the Mechanical Safety Check you can restore brake lever travel by turning the brake cable adjusting barrel counterclockwise, then lock the adjustment in by turning the barrel's lock nut clockwise as far as it will go. If the lever still fails the Mechanical Safety Check, or you have any question about whether your brakes are working properly have your dealer check the brakes.

D. Shifting

Your multi-speed bicycle will have a derailleur drivetrain, an internal gear hub drivetrain or, in some special cases, a combination of the two.

1. Why all those gears?

You will get the greatest fitness benefit, produce the greatest sustained power and have the greatest endurance if you learn to spin the pedals at high revolutions per minute (called cadence) against low resistance. You will get the least fitness benefit and have the least endurance by pushing hard on the pedals against heavy resistance.

The purpose of having multiple gears on a bicycle is to let you choose the gear that allows you to maintain your optimum cadence under the widest range of riding conditions. Depending on your fitness level and experience (the more fit, the higher the cadence), optimum cadence is between 60 and 90 pedal revolutions per minute.

2. Shifting a derailleur drivetrain

If your bicycle has a derailleur drivetrain, the gear-changing mechanism will consist of:

- a rear sprocket cluster, called a freewheel or freewheel cassette
- a rear derailleur
- Usually a front derailleur
- One or two shifters
- One or two control cables
- One, two or three front sprockets called chainrings
- A drive chain

The number of possible gear combinations (“speeds”) is the product of multiplying the number of sprockets at the rear of the drivetrain by the number of sprockets at the front ($6 \times 2 = 12$, $6 \times 3 = 18$, $7 \times 3 = 21$ and so on).

a. Shifting Gears

There are many different types of shifter mechanisms, each preferred for specific types of application because of its ergonomic, performance and price characteristics. The designers of your bike have selected the shifter design which they believe will give the best results on your bike.

The vocabulary of shifting can be pretty confusing. A downshift is a shift to a “slower” gear, one which is easier to pedal. An upshift is a shift to a “faster”, harder to pedal gear. What’s confusing is that what’s happening at the front derailleur is the opposite of what’s happening at the rear derailleur (for details, read the instructions on Shifting the Rear Derailleur and Shifting the Front Derailleur below). For example, you can select a gear which will make pedaling easier on a hill (make a downshift) in one of two ways: shift the chain down the gear “steps” to a smaller gear at the front, or up the gear “steps” to a larger gear at the rear. So, at the rear gear cluster, what is called a downshift looks like an upshift. The way to keep things straight is to remember that shifting the chain in towards the centerline of the bike is for accelerating and climbing and is called a downshift. Moving the chain out or away from the centerline of the bike is for speed and is called an upshift. Whether upshifting or downshifting, the bicycle derailleur system design requires that the drive chain be moving forward and be under at least some tension. A derailleur will shift only if you are pedaling forward.

1) Shifting the Rear Derailleur

The rear derailleur is controlled by the right shifter. The function of the rear derailleur is to move the drive chain from one gear to another on the rear gear cluster, thereby changing gear drive ratios. The smaller sprockets on the gear cluster produce higher gear ratios. Pedaling in the higher gears requires greater pedaling effort, but takes you a greater distance with each revolution of the pedal cranks. The larger sprockets produce lower gear ratios. Using them requires less pedaling effort, but takes you a shorter distance with each pedal crank revolution. Moving the chain from a smaller sprocket of the gear cluster to a larger sprocket results in a downshift. Moving the chain from a larger sprocket to a smaller sprocket results in an upshift. In order for the derailleur to disengage the chain from one sprocket and move it on to another, the chain must be moving forward (i.e. the rider must be pedaling forward).





2) Shifting the Front Derailleur:

The front derailleur, which is controlled by the left shifter, shifts the chain between the larger and smaller chainrings. Shifting the chain onto a smaller chainring makes pedaling easier (a downshift). Shifting to a larger chainring makes pedaling harder (an upshift).

b) Which gear should I be in?

The combination of largest rear, smallest front gears is for the steepest hills. The smallest rear, largest front combination is for the greatest speed. It is not necessary to shift gears in sequence. Instead, find the “starting gear” which is right for your level of ability -- a gear which is hard enough for quick acceleration but easy enough to let you start from a stop without wobbling — and experiment with upshifting and downshifting to get a feel for the different gear combinations. At first, practice shifting where there are no obstacles, hazards or other traffic, until you’ve built up your confidence. Once you’ve learned the basics, experience will teach you which gear is appropriate for which condition, and practice will help you shift smoothly and at precisely the optimum moment.

3. Shifting an internal gear hub drivetrain

If your bicycle has an internal gear hub drivetrain, the gear changing mechanism will consist of:

- A 3, 5, 7 or possibly 12 speed internal gear hub
- One, or sometimes two, shifters
- One or two control cables
- One front sprockets called chainrings
- A drive chain

a) Shifting internal gear hub gears

Shifting with an internal gear hub drivetrain is simply a matter of moving the shifter to the indicated position for the desired gear. After you have moved the shifter to the gear position of your choice, ease the pressure on the pedals for an instant to allow the hub to complete the shift.


b) Which gear should I be in?

The numerically lowest gear (1) is for the steepest hills. The numerically largest gear (3, 5, 7 or 12, depending on the number of speeds of your hub) is for the greatest speed. Shifting from an easier, “slower” gear (like 1) to a harder, “faster” gear (like 2 or 3) is called an upshift. Shifting from a harder, “faster” gear to an easier, “slower” gear is called a downshift. It is not necessary to shift gears in sequence. Instead, find the “starting gear” for the conditions -- a gear which is hard enough for quick acceleration but easy enough to let you start from a stop without wobbling -- and experiment with upshifting and downshifting to get a feel for the different gears. At first, practice shifting where there are no obstacles, hazards or other traffic, until you’ve built up your

confidence. Once you've learned the basics, experience will teach you which gear is appropriate for which condition, and practice will help you shift smoothly and at precisely the optimum moment.


E. Toeclips & Straps

Toeclips and straps are the traditional means which experienced cyclists use to keep their feet correctly positioned and engaged with the pedals. The toeclip positions the ball of the foot over the pedal spindle, which gives maximum pedaling power. The toe strap, when tightened, keeps the foot engaged throughout the rotation cycle of the pedal. While toeclips and straps give some benefit with any kind of shoe, they work most effectively with cycling shoes designed for use with toeclips. Your dealer can explain how toeclips and straps work.

 **WARNING:** Getting into and out of pedals with toeclips and straps requires skill which can only be acquired with practice. Until it becomes a reflex action, the technique requires concentration which can distract the rider's attention, causing you to lose control and fall. Practice the use of toeclips and straps where there are no obstacles, hazards or traffic. Keep the straps loose, and don't tighten them until your technique and confidence in getting in and out of the pedals warrants it. Never ride in traffic with your toe straps tight.

F. Clipless ("step-in") pedals

Clipless pedals (sometimes called "step-in pedals") are the means most racers use to keep their feet securely in the correct position for maximum pedaling efficiency. They work like ski bindings ... a plate on the sole of the shoe clicks into a spring-loaded fixture on the pedal. Clipless pedals require shoes specifically designed for the make and model pedal being used. Many clipless pedals are designed to allow the rider to adjust the amount of force needed to engage or dis-engage the foot.

 **WARNING:** Clipless pedals are intended for use with shoes specifically made to fit them and are designed to firmly keep the foot engaged with the pedal. Practice is required to learn to engage and disengage the foot safely. Until engaging and disengaging the foot becomes a reflex action, the technique requires concentration which can distract the rider's attention, causing the rider to lose control and fall. Practice engaging and disengaging clipless pedals in a place where there are no obstacles, hazards or traffic; and be sure that you follow the setup and service instructions and warnings which came with your pedals.





G. Tires and Tubes

1. Tires

Bicycle tires are available in many designs and specifications, ranging from general-purpose designs to tires designed to perform best under very specific weather or terrain conditions. Your bicycle has been equipped with tires which the bike's manufacturer felt were the best balance of performance and value for the use for which the bike was intended. If, once you've gained experience with your new bike, you feel that a different tire might better suit your riding needs, your dealer can help you select the most appropriate design.

The size, pressure rating, and on some high-performance tires the specific recommended use, are marked on the sidewall of the tire. The part of this information which is most important to you is Tire Pressure.

WARNING: Never inflate a tire beyond the maximum pressure marked on the tire's sidewall. Exceeding the recommended maximum pressure may blow the tire off the rim, which could cause damage to the bike and injury to the rider and bystanders. The best way to inflate a bicycle tire to the correct pressure is with a bicycle pump.

CAUTION: Gas station air hoses move a large volume of air very rapidly, and will raise the pressure in your tire very rapidly. To avoid over-inflation when using a gas station air hose, put air into your tire in short, spaced bursts.

Tire pressure is given either as maximum pressure or as a pressure range. How a tire performs under different terrain or weather conditions depends largely on tire pressure. Inflating the tire to near its maximum recommended pressure gives the lowest rolling resistance; but also produces the harshest ride. High pressures work best on smooth, dry pavement. Very low pressures, at the bottom of the recommended pressure range, give the best performance on smooth, slick terrain such as hard-packed clay, and on deep, loose surfaces such as deep, dry sand. Tire pressure that is too low for your weight and the riding conditions can cause a puncture of the tube by allowing the tire to deform sufficiently to pinch the inner tube between the rim and the riding surface.

CAUTION: Pencil type automotive tire gauges and gas station air hose pressure settings can be inaccurate and should not be relied upon for consistent, accurate pressure readings. Instead, use a high quality dial gauge.

Check inflation as described in you'll know how correctly inflated tires should look and feel. Some tires may need to be brought up to pressure every week or two.

Some special high-performance tires have unidirectional treads: their tread pattern is designed to work better in one direction than in the other. The sidewall marking of a unidirectional tire will have an arrow showing the correct rotation direction. If your bike has unidirectional tires, be sure that they are mounted to rotate in the correct direction.

2. Tire Valves


The tire valve allows air to enter the tire's inner tube under pressure, but doesn't let it back out unless you want it to. There are primarily two kinds of bicycle tube valves (actually, there are other designs, but they are seldom seen in the US any more): The Schraeder Valve and the Presta Valve. The bicycle pump you use must have the fitting appropriate to the valve stems on your bicycle.

The Schraeder is like the valve on a car tire. To inflate a Schraeder valve tube, remove the valve cap and push the air hose or pump fitting onto the end of the valve stem. To let air out of a Schraeder valve, depress the pin in the end of the valve stem with the end of a key or other appropriate object.

The Presta valve has a narrower diameter and is only found on bicycle tires. To inflate a Presta valve tube using a Presta headed bicycle pump, remove the valve cap; unscrew (counterclockwise) the valve stem lock nut; and push down on the valve stem to free it up. Then push the pump head on to the valve head, and inflate. To inflate a Presta valve with a gas station air hose, you'll need a Presta adapter (available at your bike shop) which screws on to the valve stem once you've freed up the valve. The adapter fits the end of the air hose fitting. Close the valve after inflation. To let air out of a Presta valve, open up the valve stem lock nut and depress the valve stem.

H. Bicycle Suspension

Some Mountain Bikes come equipped with suspension systems which are designed to smooth out some of the shocks encountered in off-road riding. There are many different types of suspension systems — too many to deal with individually in this Manual. If your bicycle has a suspension system of any kind, consult a qualified specialist to provide you with the appropriate adjustment and maintenance instructions.

 **WARNING:** Failure to maintain, check and properly adjust the suspension system may result in suspension malfunction, which may cause you to lose control and fall.





CAUTION: Changing suspension adjustment can change the handling and braking characteristics of your bicycle. Never change suspension adjustment unless you are thoroughly familiar with the suspension system manufacturer's instructions and recommendations, and always check for changes in the handling and braking characteristics of the bicycle after a suspension adjustment by taking a careful test ride in a hazard-free area.



CAUTION: Not all bicycles can be safely retrofitted with some types of suspension systems. Before retrofitting a bicycle with any suspension, check with the bicycle's manufacturer to make sure that what you want to do is compatible with the bicycle's design.



WARNING: If your bike has suspension, the increased speed you may develop also increases your risk. When braking, the front of a suspended bike dips. You could lose control and fall if your skill is not up to handling this system. Get to know how to handle your suspension system safely before trying any downhill or very fast mountain biking.

Suspension can increase the handling capabilities and comfort of your bicycle. This enhanced capability may allow you to ride faster; but you must not confuse the enhanced capabilities of the bicycle with your own capabilities as a rider. Increasing your skill will take time and practice. Proceed carefully until you are sure you are competent to handle the full capabilities of your bike. Never ride at a speed or on terrain which is not suitable for your personal riding skill and experience. Always proceed cautiously in areas where you are not familiar with the terrain. If you exceed your limitations, serious injury or death could occur.

Purchase Record Card

Fill in Immediately and retain as a record of your purchase.

*Please retain your sales receipt for any possible warranty claims.

Your Name: _____

Address: _____

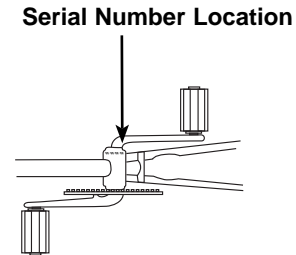
Date Purchased: _____ Place of Purchase: _____

Model & Brand Information: _____

Wheel Size: _____

Color: _____

Serial Number: _____





Limited Warranty

Currie Technologies® manufactured or distributed “Electro-Drive™” powered eZip branded products are warranted to the original retail purchaser to be free from defects in materials and workmanship in the frame and components, except for tires, inner tubes and batteries, for a period of 180 days from the date of purchase.

Tires and inner tubes (tubes) are warranted to be free from manufacturing and material defects for 30 days. The tire and inner tube warranty does not include damage from normal road hazards, flat tires, tire cuts and the like, skid wear or blowouts from over inflation or other such misuse, or normal wear. Warranties are limited to repair and/or replacement of scooters and/or parts judged by Currie Technologies® at its sole discretion to be defective.

Batteries are warranted to the original purchaser to be free from defects in materials and workmanship for a period of ninety (90) days from the date of purchase. The battery warranty does not include damage from power surges, use of improper charger, improper maintenance, improper storage or other such misuse, or normal wear. Warranties are limited to repair and/or replacement of scooters and/or parts judged by Currie Technologies® at its sole discretion to be defective.

Currie Technologies® Limited Warranties do not cover or apply to the following: Normal wear and tear; any damage, failure and/or loss caused by accident, shipping, misuse, neglect, abuse and/or failure to follow instructions or warnings as stated in the applicable owner’s manual or other printed materials provided with the product; damage, failure and/or loss caused by the use of the product for stunt riding, ramp jumping, competition, off-road use, acrobatics, trick riding or other similar activities, or use in any other manner for which such products were not specifically designed.

This warranty does not apply to any products or components, mechanical and/or electrical, which have in any way been altered from their original configuration by any person. Currie Technologies® will not be liable and/or responsible for any damage, failure or loss caused by any unauthorized service or use of unauthorized parts.

The Currie Technologies® Limited Warranty does not cover or apply to any Currie product used for rental or commercial purposes unless the specific product is designated, labeled or marketed by Currie Technologies® as acceptable for rental or commercial use.

All warranty claims must be made directly to the selling retailer. The selling retailer is the primary provider of warranty support and customer service. Currie Technologies® may choose to perform warranty service at the sole choice of Currie Technologies®. The original owner of the product must provide proof of purchase prior to approval of any warranty claim. Under no circumstances does this limited warranty include any costs associated with shipment and/or transportation to or from the retailer or Currie Technologies®. Currie Technologies®, at its sole discretion, has the option of replacing with a new part, or factory re-certified part, or repairing any defective product and/or component thereof, or to pay the owner of such a product an amount equal to the original purchase price of such product. The original owner shall pay for all costs of labor associated with any warranty claims.

This warranty supersedes all previous warranties. The warranties stated herein are in lieu of and expressly exclude all other warranties not expressly set forth herein, whether expressed or implied by law or otherwise, including, but not limited to, any warranties for merchantability and/or fitness for any particular purpose. Currie Technologies® shall in no event be liable or responsible for incidental or consequential losses, damages or expenses in connection with their scooter products.

The liability of Currie Technologies® hereunder is expressly limited to the replacement of goods complying with this warranty or at the sole discretion of Currie Technologies® to the repayment of an amount equivalent to the purchase price of the product in question.

CAUTION: Some states may not permit the exclusion or limitation of consequential damages and, therefore, such limitations may not apply to the consumer in which some impermissible exclusions are involved.

IMPORTANT – Please activate your warranty by registering your new Currie product within 10 days of purchase by visiting our web site www.CurrieTech.com and clicking the “Register Your Product” link.





FULLY CHARGE BATTERIES BEFORE FIRST USE - Batteries should be fully charged immediately when they are received and immediately after each use for the recommended charge times (see below).

- Li-Ion (Lithium Ion) batteries 4-6 hours
- NiMH (Nickel Metal Hydride) 4-6 hours
- SLA (Sealed Lead Acid) batteries 6-8 hours

With proper care and maintenance your Currie Technologies® Hybrid Electric Bicycle will provide ease of use and be fun to ride. Refer to the inside front cover for points that will help you to maximize the enjoyment you get from your new hybrid electric bicycle.



CURRIE TECHNOLOGIES®

9453 Owensmouth Avenue | Chatsworth, CA 91311

Phone (818) 734-8123 | Fax (818) 734-8199

www.CurrieTech.com | www.iZipUSA.com

Customer Service (800) 377-4532