

# Installation Manual

## Installation and appliance setup

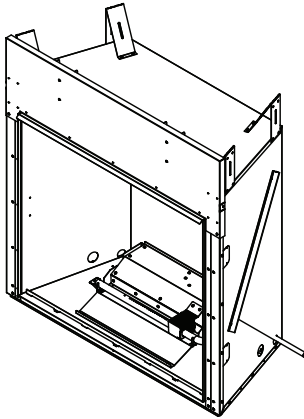
**INSTALLER:** Leave this manual with party responsible for use and operation.  
**OWNER:** Retain this manual for future reference.

**NOTICE:** DO NOT discard this manual!



### Model:

ODCOUG-36T/ODCOUG-42T  
ODCOUG-36PH/ODCOUG-42PH  
ODCOUG-36PT/ODCOUG-42PT  
ODCOUG-36/ODCOUG-42



### **DANGER:**

If you smell gas:

1. Shut off gas to the appliance.
2. Extinguish any open flame.
3. If odor continues, keep away from the appliance and immediately call your gas supplier or fire department.

### **WARNING:** For outdoor use only.

### **WARNING:**

Do not store or use gasoline or other flammable vapors and liquids in the vicinity of this or any other appliance  
An LP-cylinder not connected for use shall not be stored in the vicinity of this or any other appliance

### **WARNING!** Risk Of Fire!

Do not install glass doors on this fireplace.  
Glass doors could cause overheating of adjacent structures.

### **WARNING:**

Improper installation, adjustment, alteration, service or maintenance can cause injury or property damage. Read the installation, operating and maintenance instructions thoroughly before installing or servicing this equipment.

# **DANGER**



### Carbon Monoxide Hazard

This appliance can produce carbon monoxide which has no odor.

Using it in an enclosed space can kill you.

Never use this appliance in an enclosed space such as a camper, tent, car or home

## ▲ Safety Alert Key:

- **DANGER!** Indicates a hazardous situation which, if not avoided will result in death or serious injury.
- **WARNING!** Indicates a hazardous situation which, if not avoided could result in death or serious injury.
- **CAUTION!** Indicates a hazardous situation which, if not avoided, could result in minor or moderate injury.
- **NOTICE:** Used to address practices not related to personal injury.

## Table of Contents

Standard Work Checklist .....	3	<b>4 Appliance Preparation</b>	
<b>1 Product Specific Information</b>		A. Securing and Leveling Appliance .....	15
A. Appliance Certification.....	4	B. Flashing.....	15
B. BTU Specifications .....	4	<b>5 Electrical Information</b>	
C. High Altitude Installations .....	4	A. Wiring Requirements .....	16
D. Non-combustible Materials Specification ...	4	B. IntelliFire Pilot Ignition System Wiring .....	16
E. Combustible Materials Specification .....	4	C. Installing the Electrical.....	16
F. Electrical Codes .....	4	<b>6 Gas Information</b>	
G. Fuel .....	4	A. Valve Access .....	18
<b>2 Getting Started</b>		B. Gas Pressure .....	18
▶ A. Design and Installation Considerations .....	5	C. Gas Connection.....	18
B. Tools and Supplies Needed.....	5	D. Fuel Conversion .....	19
C. Inspect Appliance and Components.....	6	E. High Altitude Installations .....	19
<b>3 Framing and Clearances</b>		<b>7 Finishing</b>	
A. Appliance Dimension Diagrams .....	7	▶ A. Facing Material.....	19
▶ B. Clearances to Combustibles .....	8	<b>8 Appliance setup</b>	
▶ C. Minimum Clearance.....	11	A. Remove the Shipping Materials .....	22
D. Hearth Extension/Floor Protection .....	12	B. Clean the Appliance .....	22
E. Stand-Alone Installation .....	12	C. Optional Accessories .....	22
B. Wall Switch Control Assembly .....	12	D. Verify Pilot Shield .....	22
G. Built-In Installation .....	13	E. Lava Rock Media/Glass Media.....	22
H. Moisture Resistance .....	14	<b>9 Reference Materials</b>	
		A. Accessories .....	23

**ATTENTION INSTALLER:**  
**Follow this Standard Work Checklist**

This standard work checklist is to be used by the installer in conjunction with, not instead of, the instructions contained in this installation manual.

<b>Customer:</b>	_____	<b>Date Installed:</b>	_____
<b>Lot/Address</b>	_____ _____	<b>Location of Fireplace:</b>	_____
	_____	<b>Installer:</b>	_____
<b>Model (circle one):</b>	ODCOUG-36T/ODCOUG-42T	<b>Dealer/Distributor Phone #</b>	_____
	ODCOUG-36PH/ODCOUG-42PH	<b>Serial #:</b>	_____
	ODCOUG-36PT/ODCOUG-42PT		
	ODCOUG-36/ODCOUG-42		

 **WARNING! Risk of Fire or Explosion!** Failure to install fireplace according to these instructions can lead to a fire or explosion.

**Fireplace Install**

Wiring has been installed if necessary. Verified clearances to combustibles. (Pg. 8)  
 Fireplace is leveled and secured. (Pg. 15)  
 Hearth extension size/height decided. (Pg.12)

**YES**


**IF NO, WHY?**


**Finishing**

Combustible materials not installed in non-combustible areas.  
 Verified all clearances meet installation manual requirements.  
 Mantels and wall projections comply with installation manual requirements.  
 Hearth extension installed per manual requirements.



**Fireplace Setup**

All packaging and protective materials removed.  
 Refractory installed correctly.  
 Firescreen installed properly.  
 Manual bag and all of its contents are removed from the fireplace and given to the party responsible for use and operation.  
 Screen kit installed properly. (Optional)



**Hearth & Home Technologies recommends the following:**

- Photographing the installation and copying this checklist for your file.
- That this checklist remain visible at all times on the fireplace until the installation is complete.

**Comments:** Further description of the issues, who is responsible (Installer/Builder/Other Trades, etc.) and corrective action needed:

---



---



---

Comments communicated to party responsible \_\_\_\_\_ by \_\_\_\_\_ on \_\_\_\_\_  
 (Builder/Gen. Contractor) (Installer) (Date)

# 1 Product Specific Information

## A. Appliance Certification

**Model:** ODCOUG-36/ODCOUG-42  
**Laboratory:** Underwriters Laboratories, Inc. (UL)  
**Type:** Outdoor Decorative Gas Appliances  
**Standard:** ANSI Z221.97-2014, CSA 2.41-2014

This product is listed to ANSI standards for “Outdoor decorative Gas appliances” and “Gas Fired Appliances for Use at High Altitudes”.

**Notice:** This installation must conform with local codes. In the absence of local codes you must comply with the National Fuel Gas Code, ANSI Z223.1- latest edition in the U.S.A. and the CAN/CGA B149 Installation codes in Canada.

**NOTE:** This appliance is designed to be installed and operate without exhaust venting or pipe.

## B. BTU Specifications

Model	Gas Type	Max Input BTU	Natural Orifice Size
ODCOUG-36/42	Natural	55,000	#27
	Propane	53,000	#45

## C. High Altitude Installations

Notice: If the heating value of the gas has been reduced, these rules do not apply. Check with your local gas utility or authorities having jurisdiction.

When installing above 2000 feet elevation:

- In the USA: reduce input rate 4% for each 1000 feet above 2000 feet.
- In CANADA: Input ratings are certified without a reduction of input rate for elevations up to 4500 feet (1350m) above sea level. Please consult provincial and/or local authorities having jurisdiction for installations at elevations above 4500 feet (1370m.)

Check with your local gas utility to determine proper orifice size.

## D. Non-combustible Materials Specification

Material which will not ignite and burn. Such materials are those consisting entirely of steel, iron, brick, tile, concrete, slate, glass, plasters or any combination thereof.

Materials that are reported as passing **ASTM E 136, Standard Test Method for Behavior of Materials in a Vertical Tube Furnace at 750 °C** shall be considered non-combustible materials.

## E. Combustible Materials Specification

Materials made of or surfaced with wood, compressed paper, plant fibers, plastics, or other material that can ignite and burn, whether flame proofed or not, or plastered or unplastered shall be considered combustible materials.

## F. Electrical Codes

Notice: This appliance must be electrically wired and grounded in accordance with local codes or, in the absence of local codes, with **National Electric Code ANSI/NFPA 70-latest edition or the Canadian Electrical Code CSA C22.1.**

- A 110-120Vac. circuit for this product must be protected with ground-fault circuit-interrupter protection, in compliance with the applicable electrical codes.

## G. Fuel

This appliance must not be used to burn solid fuel. When an appliance is connected to a fixed piping system, the installation must conform with local codes, or in the absence of local codes with the **National Fuel Gas Code, ANSI Z223.1/NFPA 54, or International Fuel Gas Code.**

## 2 Getting Started

### A. Design and Installation Considerations

The Courtyard series gas appliance is designed for outdoor use and may be installed as a stand alone unit or built into a wall.

An outdoor space is defined as follows:

- An appliance is considered to be outdoors if installed with shelter no more inclusive than:
  1. With walls on all sides, but no overhead cover
  2. Within a partial enclosure which includes an overhead cover and no more than two side walls. These side walls may be parallel, as in a breezeway, or at right angles to each other; or
  3. Within a partial enclosure which includes an overhead cover and three sidewalls, as long as 30% or more of the horizontal periphery of the enclosure is permanently open.

- Note: Screen may be used on the open sides of the shelter, 14x18 and 16x18 screen mesh is approved for use. DO NOT use solar screen or no-see-um screen.

The appliance may be installed on a wood or non-combustible deck. Refer to section three for clearances. Installation MUST comply with local, regional, state and national codes and regulations. Consult the authorities having jurisdiction over restrictions, installation inspection and permits.

Before installing, determine the following:

- Where the appliance is to be installed.
  - Clearances to side walls.
  - Location of indoor appliance terminations, air inlets, gas meters, etc.
  - Location of the fireplace to a door that swings open to ensure it doesn't interfere with the fireplace when opened
  - Location of Windows.
  - Location of Walkways.
  - Possibility of flooding or running water.
- Gas supply piping requirements.
- Electrical wiring requirements.
- Framing and finishing details.
- Prevailing wind

### B. Tools and Supplies Needed

Before beginning the installation be sure that the following tools and building supplies are available.

Tape Measure	Framing material
Pliers	Hammer
Phillips screwdriver	Manometer
Gloves	Framing square
Voltmeter	Electric drill and bits (1/4 inch)
Plumb line	Safety glasses
Level	Reciprocating saw
3/4 inch wrench	Crescent wrench
7/8 inch wrench	1/4 inch nut driver
7/16 inch wrench	Pipe sealant
Flat head screwdriver	
Non-corrosive leak check solution	
1/2 - 3/4 inch length, #6 or #8 Self-drilling screws	
Caulking material (300°F Minimum continuous exposure rating.)	

Installation and service of this appliance should be performed by qualified personnel. Hearth & Home Technologies recommends HHT Factory Trained or NFI certified professionals.



Improper installation, adjustment, alteration, service or maintenance can cause injury or property damage. For assistance or additional information, consult a qualified service technician, service agency or your dealer.

**⚠ WARNING: This product and the fuels used to operate this product (liquid propane or natural gas), and the products of combustion of such fuels, can expose you to chemicals including benzene, which is known to the State of California to cause cancer and reproductive harm. For more information go to: [www.P65Warnings.ca.gov](http://www.P65Warnings.ca.gov).**

## C. Inspect Appliance and Components

- Carefully remove the appliance and components from the packaging.
- Inspect the 6' electrical cord for breaks or cuts.
- Remove wall control which is packaged separately.
- Remove protective coating from stainless steel .
- Report any firebox components damaged in shipping to your dealer.
- Read all of the instructions before starting the installation. Follow these instructions carefully during the installation to ensure maximum safety and benefit.

***WARNING! Risk of Fire or Explosion! Damaged parts could impair safe operation. DO NOT install damaged, incomplete or substitute components.***

Hearth & Home Technologies disclaims any responsibility for, and the warranty will be voided by the following actions:

- Installation and use of any damaged appliance.
- Modification of the appliance.
- Installation other than as instructed by Hearth & Home Technologies.
- Improper positioning of the media.
- Installation and/or use of any component part not approved by Hearth & Home Technologies.

**Any such action may cause a fire hazard.**

***WARNING! Risk of Fire, Explosion or Electric Shock!***

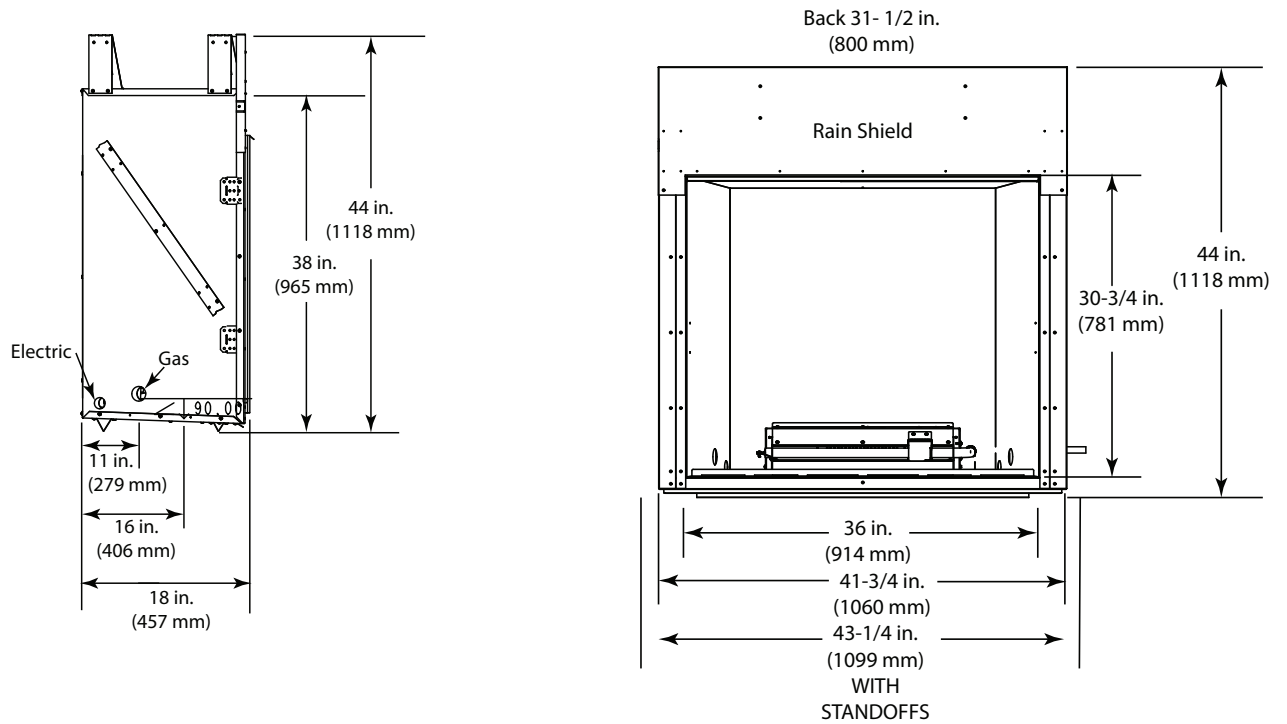
***DO NOT use this appliance if any part has been under water. Call a qualified service technician to inspect the appliance and to replace any part of the control system and/or gas control which has been under water.***

# 3 Framing and Clearances

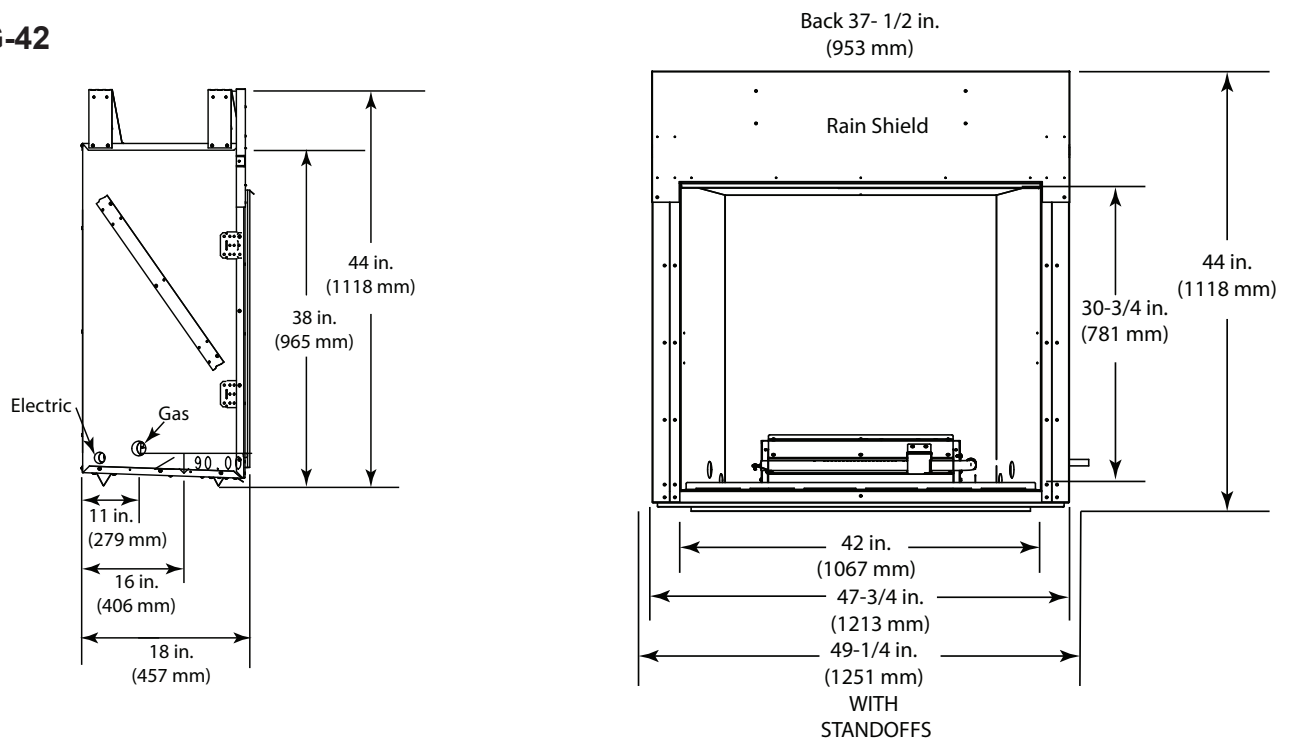
## A. Appliance Dimension Diagrams

Dimensions are actual appliance dimensions. Use for reference only. For framing dimensions and clearances, refer to Figures 3.1, 3.2, 3.3 and 3.4.

### ODCOUG-36



### ODCOUG-42





## B. Clearances to Combustibles

When selecting a location for the appliance, it is important to consider the required clearances to walls (see Figures 3.1, 3.2, 3.3, and 3.4.)

**WARNING! Risk of Fire or Burns!** *Provide adequate clearance around air openings and for service access. Due to high temperatures, the appliance should be located out of traffic and away from furniture and draperies.*

**WARNING! Risk of Fire or Burns!** *The appliance is hot and wind may cause flames to reach out in front.*

- Keep furniture, draperies and other combustibles away.
- Locate the appliance away from traffic areas.
- Clean up fallen leaves, branches and other combustible materials before using the appliance.
- See Figure 3.1, 3.2, 3.3 and 3.4 for required clearances.
- Only install on wood or solid non-combustible surfaces extending full width and depth to prevent damage.

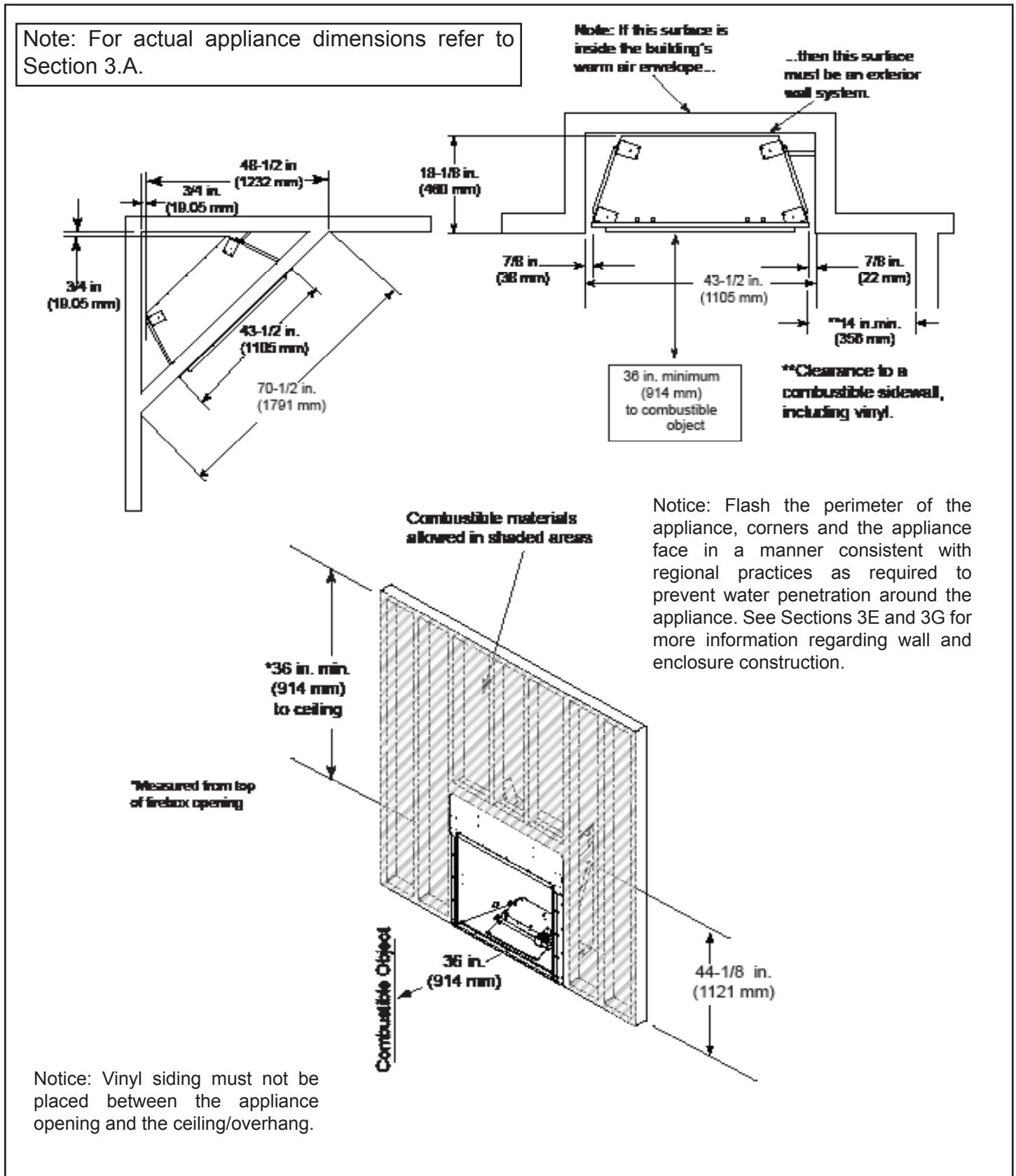
**WARNING! Risk of Fire!** *Maintain specified air space clearances to appliance:*

- Insulation and other materials must be secured to prevent accidental contact.
- The chase/enclosure must be properly blocked to prevent blown insulation or other combustibles from entering and making contact with the appliance.
- Failure to maintain air space may cause overheating and a fire.



# ODCOUG-36

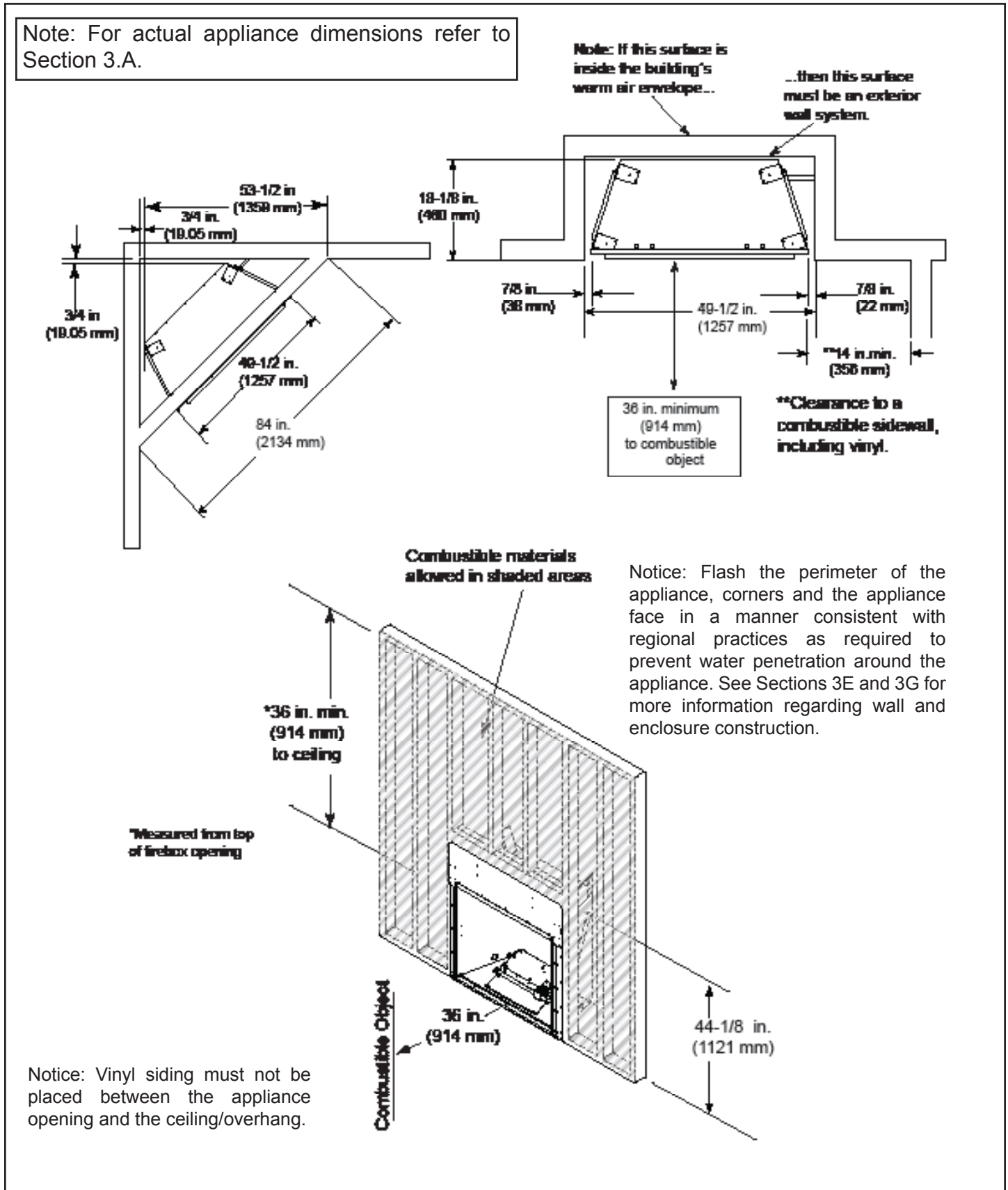
NOTICE: Illustrations reflect typical installations and are FOR DESIGN PURPOSES ONLY. Illustrations/ diagrams are not drawn to scale. Actual installation may vary due to individual design preference.



► **Figure 3.1.** Appliance Locations and Framing Dimensions - ODCOUG-36

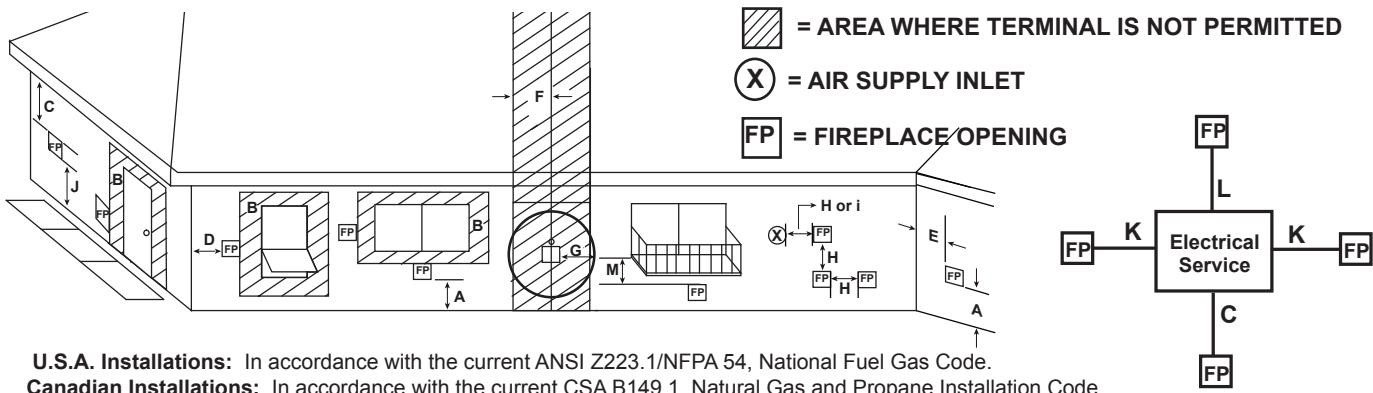
**ODCOUG-42**

NOTICE: Illustrations reflect typical installations and are FOR DESIGN PURPOSES ONLY. Illustrations/ diagrams are not drawn to scale. Actual installation may vary due to individual design preference.



► **Figure 3.2.** Appliance Locations and Framing Dimensions - ODCOUG-42

## ► C. Vent Terminal Clearances



		U.S.A.	CANADA
A	Clearance above grade, veranda, porch, deck, or balcony	0 in. (0 cm)	0 in. (0 cm)
B	Clearance to window or door that may be opened, or to permanently closed window	Non-vinyl	12 in. (305 mm)
		Vinyl	24 in. (610 mm)
C	clearance below unventilated soffit	36 in. (914 mm)	36 in. (914 mm)
	clearance below ventilated soffit	36 in. (914 mm)	36 in. (914 mm)
	clearance below any vinyl soffits and electrical service	60 in. (1524 mm)	60 in. (1524 mm)
D	clearance to outside corner	9 in. (229 mm)	9 in. (229 mm)
E	clearance to inside corner	Non-vinyl siding	6 in. (152 mm)
		Vinyl siding & windows	48 in. (1219 mm)
F	not to be installed above a gas meter/regulator assembly within 3 feet horizontally from the center-line of the regulator	3 ft (914 mm)	3 ft (914 mm)
G	clearance to gas service regulator vent outlet	3 ft (914 mm)	3 ft (914 mm)
H	clearance to non-mechanical air supply inlet to building or the combustion air inlet to any other appliance termination (mechanical or non-mechanical)	12 in. (305 mm)	12 in. (305 mm)
I	clearance to a mechanical (powered) air supply inlet *** (All mechanical air intakes within 10 feet of a horizontal termination cap must be a minimum of 3 feet below termination.)	3 ft (914 mm)***	6 ft (1.7 mm)
J	For appliances installed facing or opening onto public property or property servicing more than one single family dwelling, such as driveways, sidewalks, etc. refer to local building codes/regulations for proper clearances.	Refer to local codes	Refer to local codes
K	clearance from sides of electrical service	24 in. (610 mm)	24 in. (610 mm)
	Location of the vent termination must not interfere with access to the electrical service.		
L	clearance above electrical service	12 in. (305 mm)	12 in. (305 mm)
	Location of the vent termination must not interfere with access to the electrical service.		
M	clearance under veranda, porch, deck, balcony or overhang (Permitted only if the area meets the requirements of an outdoor space as defined in section 2.A "Design and Installation Considerations")	36 in. (914 mm)	36 in. (914 mm)
	vinyl or composite overhang	Not allowed	Not allowed

Figure 3.3. Minimum Clearances

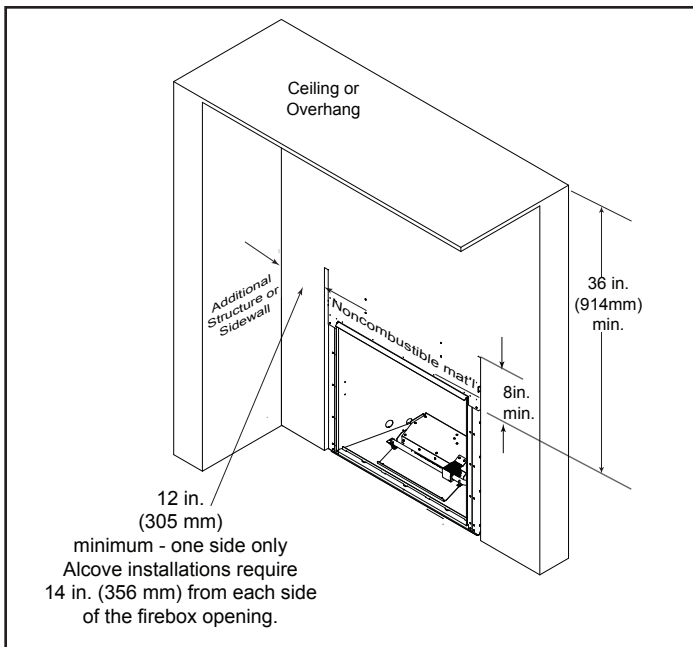


Figure 3.4. Clearances to Combustibles

**WARNING! Risk of Fire!** Comply with all minimum clearances to combustibles as specified. Framing or finishing material closer than the minimums listed must be constructed entirely of non-combustible materials (i.e., steel studs, concrete board, etc)

## D. Hearth Extension/Floor Protection

This application does not require a hearth extension.

## E. Stand-Alone Installation

**NOTE:** In a stand-alone installation, extra consideration should be taken in planning for cross-ventilation. This is recommended but not required. In most applications two(2) outdoor rated grills/louvers can be installed on each side of the unit a few inches from the base. This will allow airflow around the unit and eliminate stagnate air and moisture causing potential issues to the sub-structure.

This appliance may be installed as a stand-alone unit.

- Construct a stand-alone framing of combustible or non-combustible materials.
- Cement board or other non-combustible material can be applied directly to the face of the appliance.

- Tape and seal all joints and corners.
- Provide proper flashing and moisture management if installed on surfaces that may rot or otherwise be damaged by water. (See also Section 4.B.)

## F. Wall Switch Control Assembly

The Courtyard series outdoor gas appliance is supplied with a wired wall switch control panel, a control mounting box with cover. See Figure 3.5.

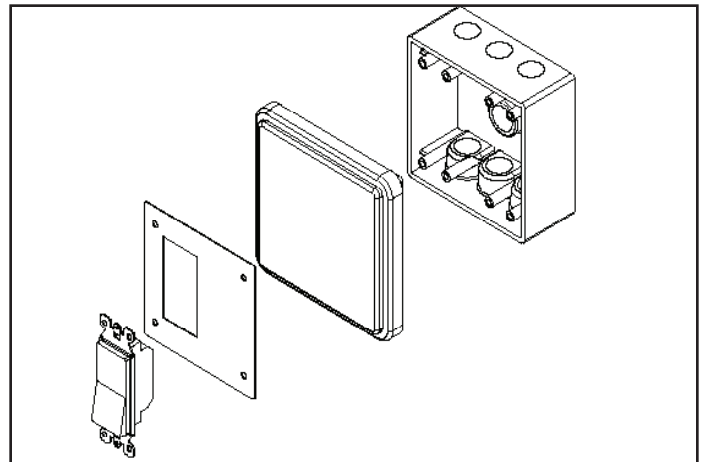


Figure 3.5. Wall box cover.

- The wall switch control assembly is shipped prewired.  
NOTE: Supplied wire allows for control assembly to be mounted up to 14ft from the appliance.
- The control box can be rerouted on the right or left side of the unit.
- Locate controls by removing the engine cover, showing access to IntelliFire control module and valve.
- The rocker switch wire (black/white) must be plugged into the two brown wires on the control wiring harness. These wires can be run on the left or right side of the unit through the electrical hole. It is recommended to run it opposite of the junction box wiring. There is no incorrect connection for these two wires. Shown in wiring diagram (Figure 5.2.) These wires are located inside the engine assembly and requires the top cover to be removed. See section 6A for more information regarding valve access.
- Using the nailing tabs, mount the 4 gang box to a stud within 14 feet of the appliance. See Figure 3.6.

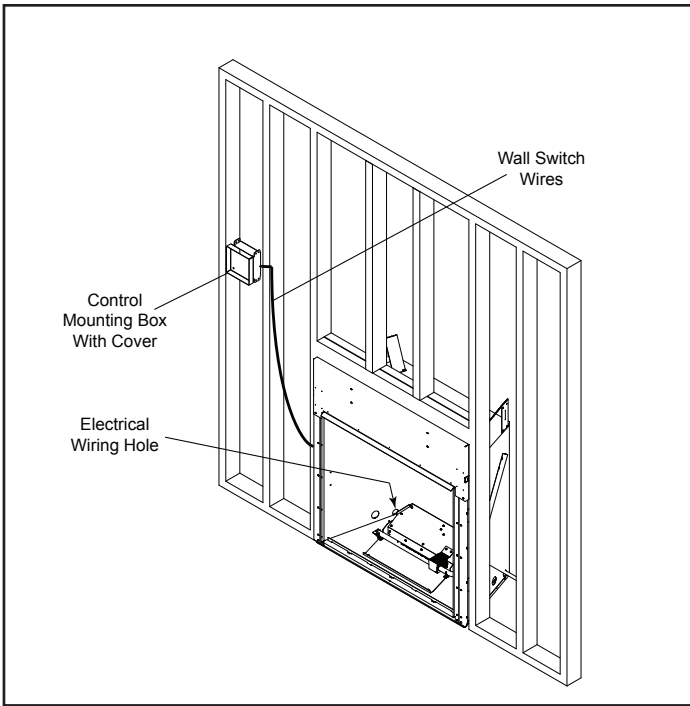


Figure 3.6. Wall switch mounting

## G. Built-in Installation

When this appliance is installed into a wall, we recommend that the wall be an exterior wall system.

- See framing measurements in Figures 3.1, 3.2 and 3.4.
- The header must not be placed below the top of the top standoffs.
- Non-combustible wall sheathing material is required on the entire face and top rain shield of this appliance. (See Figure 3.4)

Flash the perimeter of the appliance, corners and the appliance face in a manner consistent with regional practices as required to prevent water penetration around the appliance.

- This unit has an incorporated drain pan into its base. Across the bottom front a shield is installed to allow a moisture barrier to be taped in a manner to shed moisture out of the unit.

See Section 3B and Figure 3.3 and 3.4 for more information regarding wall and enclosure construction.

## H. Moisture Resistance

This outdoor appliance will shed moderate amounts of water, but is not waterproof. This appliance must be enclosed or covered with combustible and non-combustible finish material per framing dimension requirements and all joints sealed to prevent water infiltration.

A moisture membrane material can be taped 2" from the top of the rain shield; 2" on each side from top to bottom. The entire bottom of the unit can be used to tie in a water membrane material, however the bottom does have an incorporated drain pan with the front edge of the bottom edge being the point of moisture exiting the unit. This must be taken into consideration when sealing unit. As shown in Figures 3.7, 3.8 and 3.9.

The firebox will not perform as an exterior wall. Moisture penetration must be considered for construction that places the appliance in structure walls or on moisture sensitive surfaces.

**When installed on exterior walls:** Hearth & Home Technologies recommends that the chase be constructed outside the structure's weather envelope. Where the platform meets the wall, use a flashing detail similar to that required for attached decks. Chase platforms, including hearths should slope away from the structure at 1/8 in. to 1/4 in. per foot. The appliance can be shimmed level.

**Water Drainage:** The Courtyard is designed to operate outdoors, experiencing rain and other sources of moisture that will enter the firebox. The Courtyard inner firebox bottom is designed to drain water out of the unit and the lower edge should not be covered over, allowing moisture to exit from the inner area.

Some amount of water may still penetrate into the inner firebox cavity. The bottom of the Courtyard is designed with an integrated drain pan. The bottom of the unit slopes forward, forcing moisture toward the slot located under the front edge. The L bracket secured under the slot can be used to attach water membrane material in a manner consistent with regional practices.

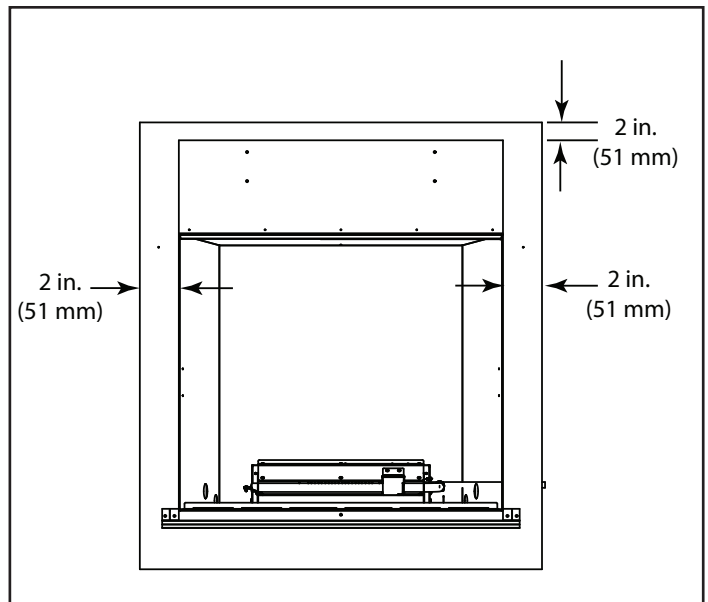


Figure 3.7. Front View Tape Location

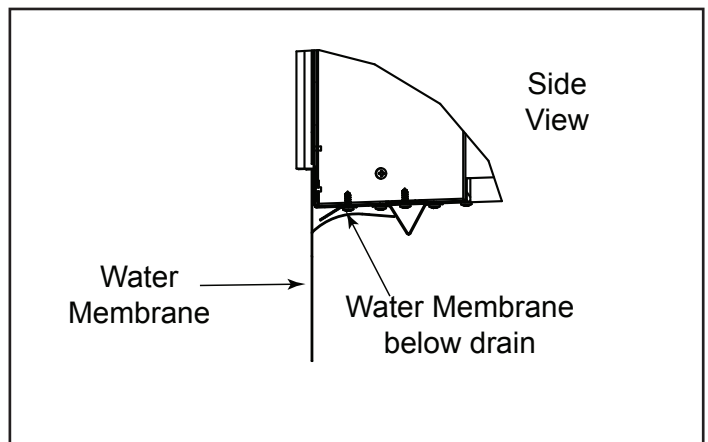


Figure 3.8. Side View of Drainage

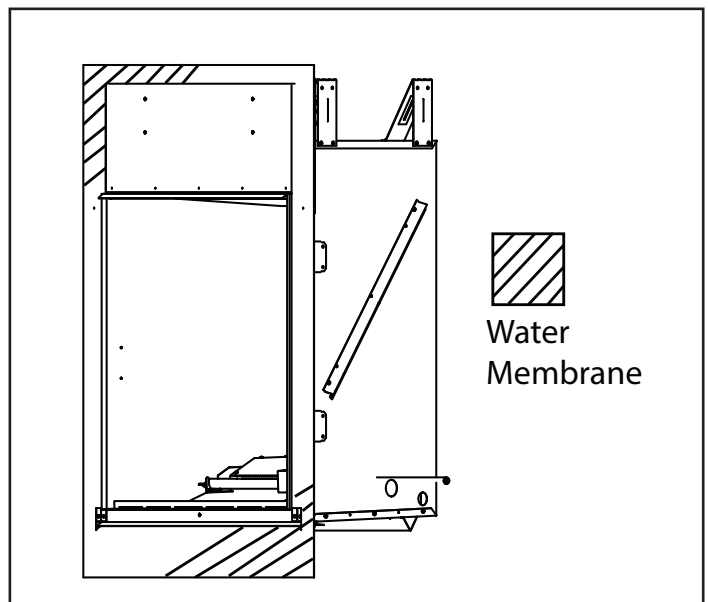


Figure 3.9. Angle View Water Membrane



## 4 Appliance Preparation

### G. Securing and Leveling Appliance

**CAUTION! Risk of cuts, abrasions or flying debris. Wear protective gloves and safety glasses during installation. Sheet metal edges are sharp.**

Position, level and secure the appliance.

- Place the appliance into position on either a wood or non-combustible continuous flat surface.
- Level the appliance from side to side and front to back.
- Shim the appliance with non-combustible material, such as sheet metal, as necessary.
- Chase platforms, including hearths, should slope away from the structure at 1/8 inch to 1/4 inch per foot.
- Nailing tabs must be folded out from shipping position to installation position and secured to framing. Bend the two nailing tabs out on each side. See Figure 4.1.

### H. Flashing

- Flash the appliance in a manner consistent with regional practices to prevent water penetration around the appliance. Due to elevated temperatures across the top of the appliance, metal flashing and high temperature sealant must be used. Adhesive polymers flashing materials may melt. See Figure 3.7.
- Brick, stone, stucco and similar construction should be installed per regional codes, with consideration taken for integrated drain pan position.
- See Section 3.H. and Figures 3.1 and 3.2. for more information regarding wall and enclosure construction required to prevent moisture penetration into the structure. The appliance will shed moderate amounts of water but is not waterproof. See Figures 3.7, 3.8 and 3.9.

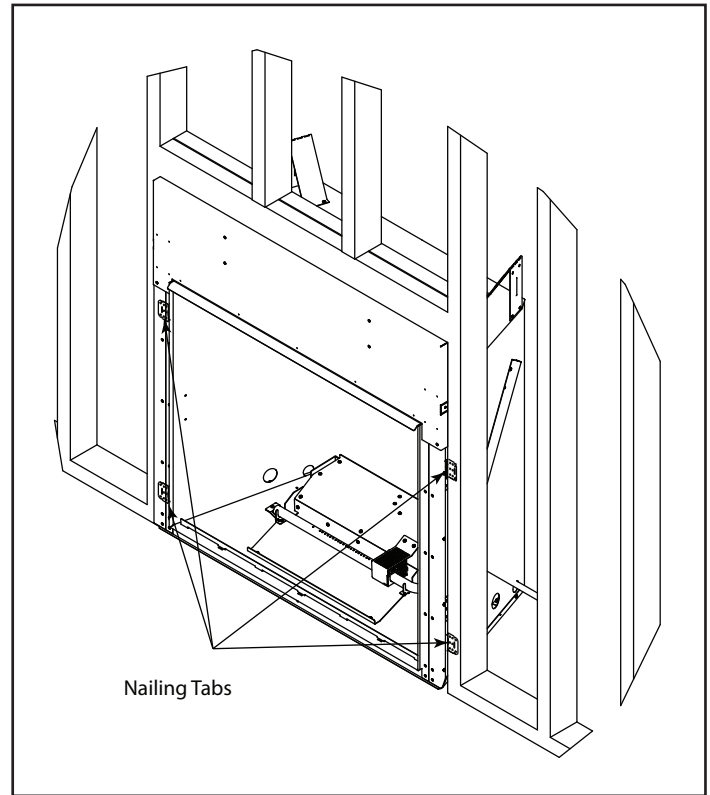


Figure 4.1. Positioning and Securing Nailing Tab



# 5 Electrical Information

## A. Wiring Requirements

**Note:** The Courtyard appliance **MUST** be connected to a GFCI (Ground Fault Circuit Interrupt) protected circuit breaker.

**WARNING! Risk of Shock or Explosion! DO NOT** wire 110-120 Vac. to the valve or to the appliance wall switch. Incorrect wiring will damage controls.

**NOTICE:** This appliance must be electrically wired and grounded in accordance with local codes, or in the absence of local code, with **National Electric Code ANSI/NFPA 70-latest edition or the Canadian Electric Code CSA C22.1.**

**Total Electrical Requirements: 110-120Vac., 60Hz., less than 12 Amperes.**

- The junction box comes wired with a 6' section of electrical cable that can be wired to an external unswitched 110-120Vac junction box. This is required for proper operation of the appliance.
- A 110-120Vac circuit for this appliance must be protected with ground-fault circuit-interrupter protection in compliance with the applicable electrical codes.
- Low voltage and 110-120 Vac voltage cannot be shared within the same wall box.

## Electrical Service and Repair

**WARNING! Risk of Shock! Label all wires prior to disconnection when servicing controls. Wiring errors could cause improper and dangerous operation. Verify proper operation after servicing.**

## B. IntelliFire Ignition System Wiring

Wire the 6' harness from the appliance to 110-120 Vac for proper operation of the appliance.

**WARNING! Risk of Shock or Explosion! DO NOT** wire IPI controlled appliance junction box to a switched circuit. Incorrect wiring will override IPI safety lockout.

**THIS APPLIANCE IS SUPPLIED STANDARD WITH:**

- IntelliFire control valve (3V)
- Wall switch control – Operates unit On/Off
- Conductor wall switch wire

- Pre-wired internal junction box with 6' cable

## C. Installing the Electrical

**Note:** The Courtyard is supplied with a pre-wired junction box with a 6' cable that can be installed on the left or right side of the appliance for gas and electrical connections.

The internal junction box comes pre-wired and is only requires the 6' section to be wired externally of the unit.

See 3.1 and 3.2.

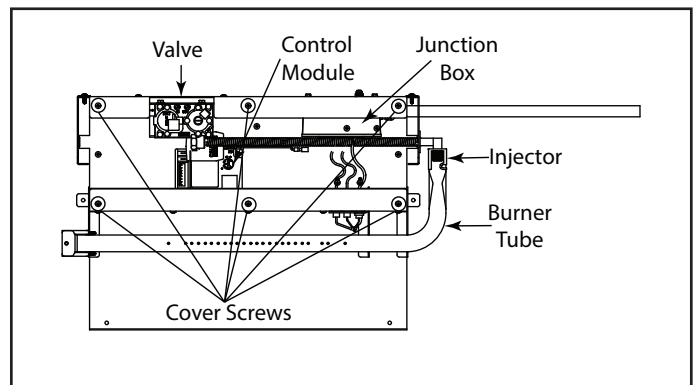


Figure 5.1. Component Location

# Wiring Diagram

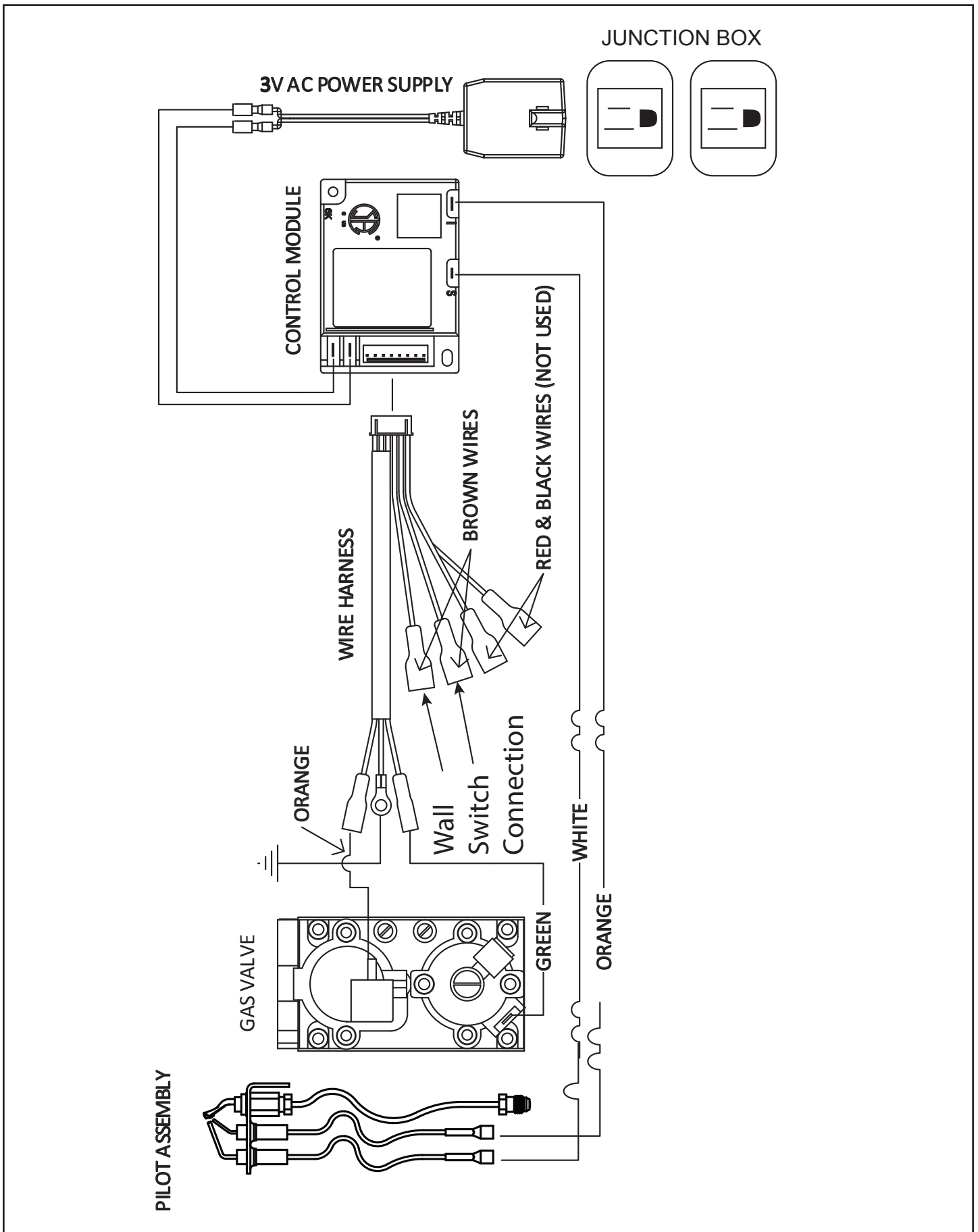


Figure 5.2. Wiring diagram

# 6 Gas Information

## A. Valve Access

The valve and controls are located in the rear of the engine inside the burner assembly. See Figure 6.1.

The control box and controls can be accessed by removing the top cover plate secured with six (6) screws shown in Figure 6.1

- Make sure unit is off and cool.
- Remove media, logs and/or deflection glass panel.
- Remove screws securing control cover panel revealing valve and control board.

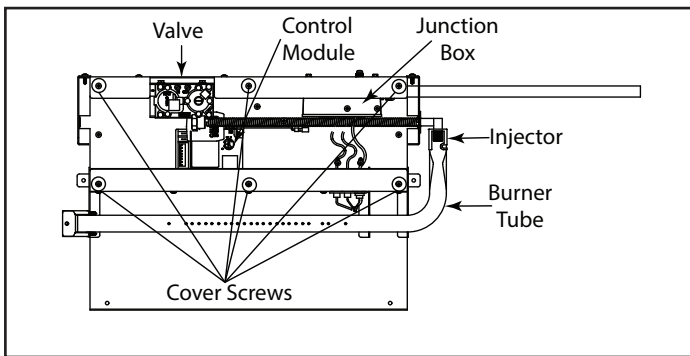


Figure 6.1. Engine Assembly

## B. Gas Pressure

- Optimum appliance performance requires proper input pressures.
- Gas line sizing requirements will be determined in ANSI Z233.1 National Fuel Gas Code in the USA and CAN/CGA B149 in Canada.
- Pressure requirements are:

These pressures can be verified by removing control cover to reveal the valve.

Gas Pressure	Natural Gas	Propane
Minimum inlet pressure	5.0 in. w.c.	11 in. w.c.
Maximum inlet pressure	10.5 in. w.c.	13 in. w.c.
Manifold pressure	3.5 in. w.c.	10 in. w.c.

When an appliance is connected to a fixed piping system, the installation must conform with local codes, or in the absence of local codes with the **National Fuel Gas Code, ANSI Z223.1/NFPA 54 or International Fuel Gas Code.**

## WARNING



Fire Risk.  
Explosion Hazard.

High pressure will damage valve. Low pressure could cause an explosion. Disconnect gas supply piping BEFORE pressure testing gas line at test pressures above 1/2 psig.



Close the manual shut-off valve BEFORE pressure testing gas line at test pressures equal to or less than 1/2 psig.

- Verify inlet pressures. Verify minimum pressures when other household gas appliances are operating
- Install regulator upstream of valve if line pressure is greater than 1/2 psig.

**Note:** Have the gas supply line installed in accordance with local codes, if any. If not, follow ANSI Z23.1 Installation should be done by a qualified installer approved and/or licensed as required by the locality. (In the commonwealth of Massachusetts, installation must be performed by a licensed plumber or gas fitter.)

**Note:** A listed (and commonwealth of Massachusetts approved) 1/2 inch (13mm) T-handle manual shut-off valve and flexible gas connector are connected to the 1/2 inch (13mm) control valve inlet.

- **If substituting for these components, please consult local codes for compliance.**

## C. Gas Connection

**Note:** An individual manual shut-off valve (supplied) is required when installing this appliance. The manual shut-off valve must be located in an easily accessible area, no more than six feet from the appliance.

- The gap between supply piping and gas access hole may be caulked with a minimum of 300°F continuous exposure rating or stuffed with non-combustible, unfaced insulation to help prevent rodents and insects from getting

into the control area of the appliance.

- Ensure that gas line does not come in contact with outer wrap of the appliance. Follow local codes.
- Pipe incoming gas line into lower compartment.
- Connect incoming gas line to the 1/2 inch (13mm) connection on the manual shut-off valve.

**WARNING! Risk of Fire or Explosion!** Support control when attaching pipe to prevent bending gas line.

A small amount of air will be in the gas supply lines. Light the appliance. It will take a short time for air to purge from lines. When purging is complete, the appliance will light and operate normally.

**WARNING! Risk of Fire, Explosion or Asphyxiation!** Check all fittings and connections with a non-corrosive commercially available leak-check solution. **DO NOT** use open flame. Fittings and connections could have loosened during shipping and handling.

**WARNING! Risk of Fire or Explosion!** Gas build-up during line purge could ignite.

- Purge should be performed by a qualified service technician.
- Ensure adequate ventilation.
- Ensure there are no ignition sources such as sparks or open flames.

## D. Fuel Conversion

- Make sure the appliance is compatible with available gas types.
- The Courtyard series gas appliance is supplied from the factory for use with natural gas. If a Propane(LP) conversion is required, kit LPK-ODCOUG must be purchased in order to convert the unit for use with propane.
- Conversions must be made by a qualified service technician using Hearth & Home Technologies specified and approved parts.

## E. High Altitude Installations

**Notice:** If the heating value of the gas has been reduced, these rules do not apply. Check with your local gas utility or authorities having jurisdiction.

When installing above 2000 feet elevation:

- In the USA: Reduce input rate 4% for each

1000 feet above 2000 feet.

- In Canada: Input ratings are certified without a reduction of input rate for elevations up to 4500 feet (1370m) above sea level. Please consult provincial and/or local authorities having jurisdiction for installations at elevations above 4500 feet (1370m.)

Check with your local gas utility to determine proper orifice size. See conversion kit (LPK-ODCOUG) for instructions on how to change main burner orifice.

# 7 Finishing

## A. Facing Material

The fireplace structure can be covered with any non-combustible material. Refer to Section 1.D.

**WARNING! Risk of Fire! DO NOT** apply combustible materials beyond the minimum clearances. Comply with all minimum clearances to combustibles as specified in this manual. Overlapping materials could ignite. Any installation outside the scope as stated in this manual please contact your authorized HHT dealer prior to installation.

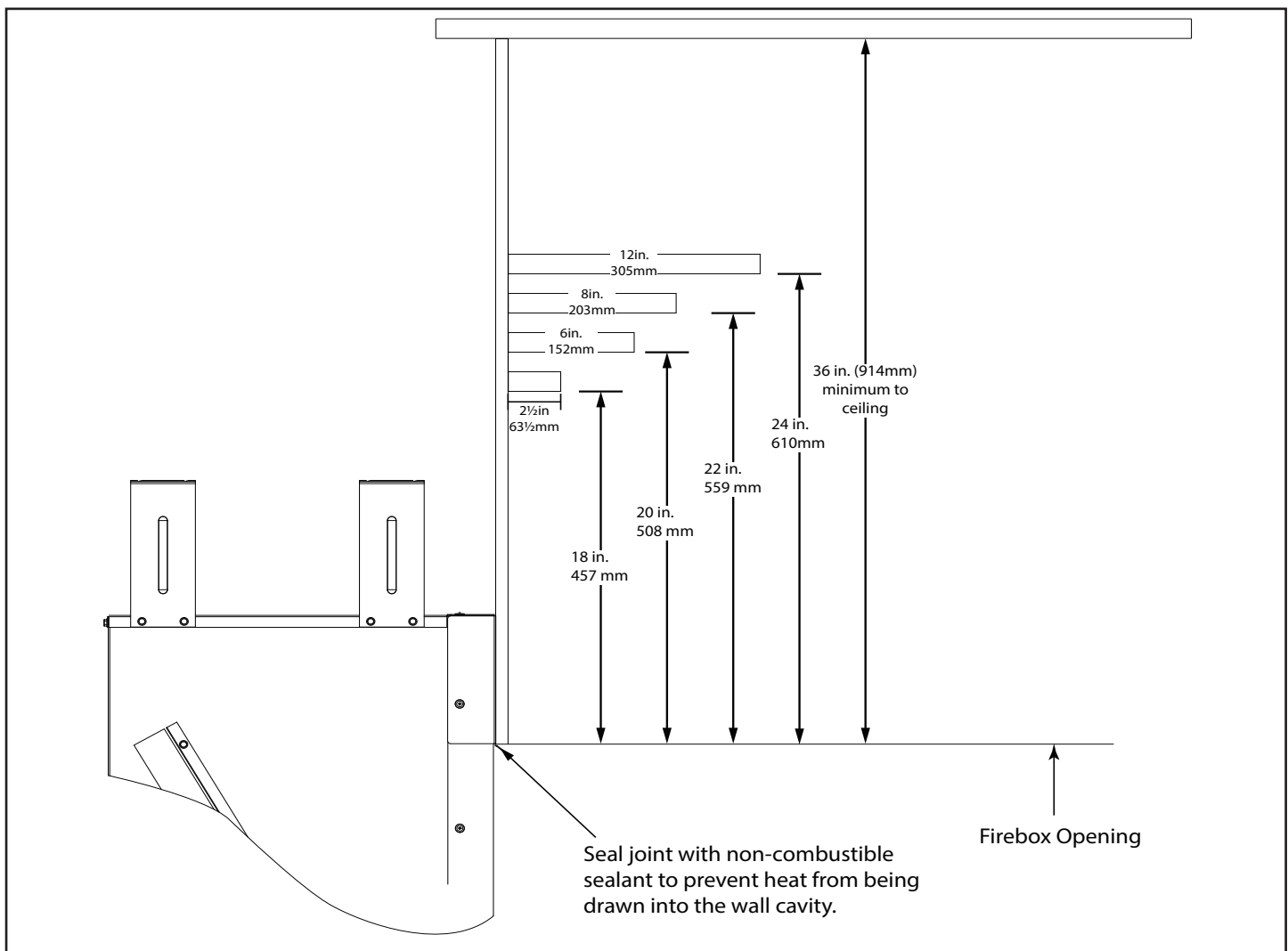
### **WARNING! Risk of Fire!**

- You must seal around the finishing material to appliance.

## Mantel and Wall Projections

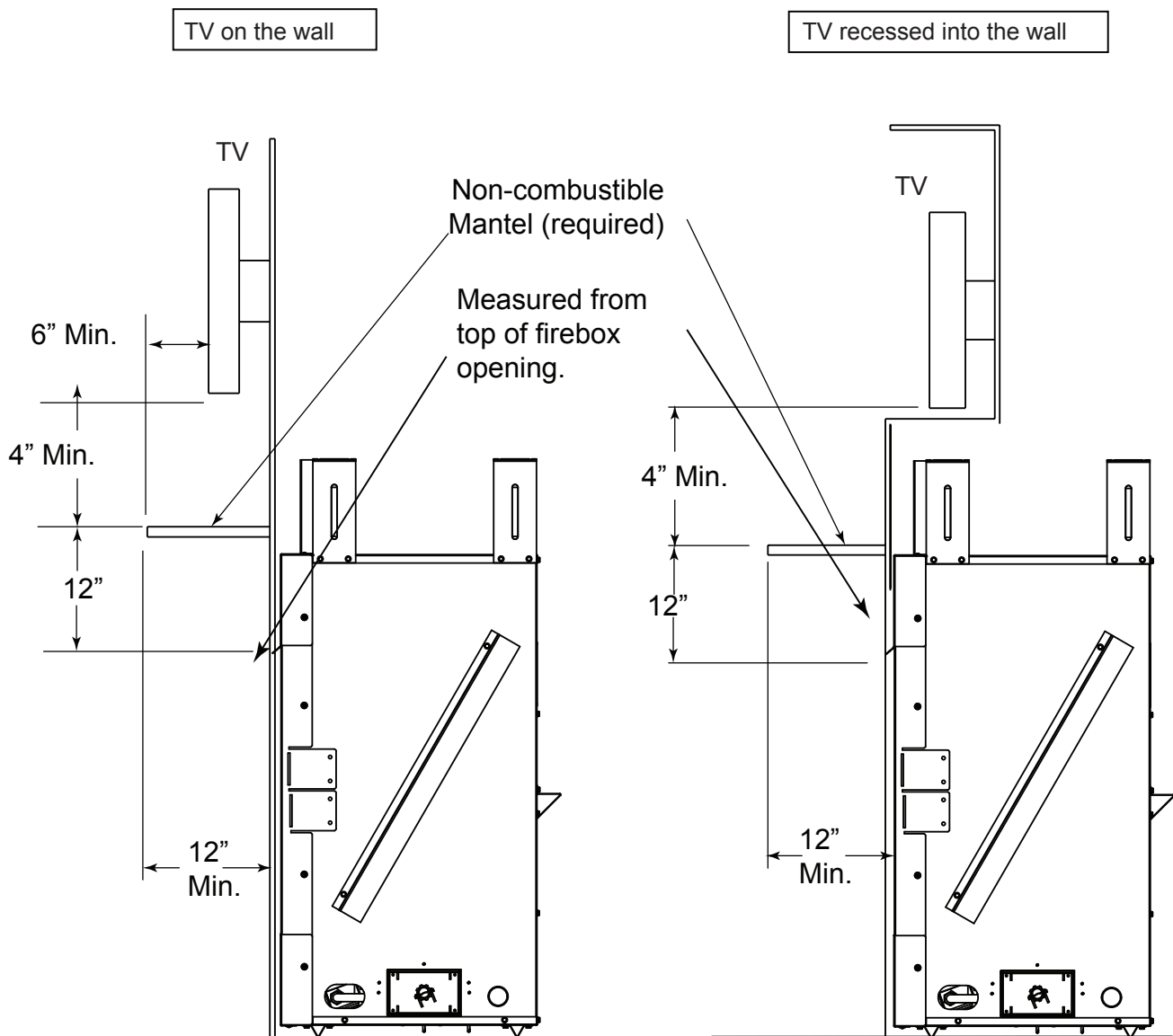
**WARNING! Risk of Fire!** Comply with all minimum clearances to combustibles as specified. Framing or finishing material closer than the minimums listed must be constructed entirely of non-combustible materials (i.e. steel studs, concrete board, etc.)

Figure 7.1 and 7.2 show the dimensions for mantels or other combustible projections above the appliance opening.



► **Figure 7.1.** Minimum vertical and maximum horizontal mantel dimensions for combustible materials.

## Good Faith Guidelines for TV Installations Above a Typical Gas Fireplace



### Notes:

1. TV installation as shown requires the mantel be constructed entirely of non-combustible material as it is below the allowable height for a combustible mantel.
2. These are good faith recommended clearances only and not a guarantee of compliance with all TV manufacturers' maximum allowable operating temperatures.
3. Since every home has unique air flow characteristics and maximum allowable operating temperatures can vary from manufacturer to manufacturer and from model to model, actual TV temperatures should be validated at the time of each installation. TVs should not be used in situations where the actual TV temperature exceeds the manufacturers' maximum allowable operating temperatures identified in the TV's technical specifications. Contact the TV's manufacturer directly if you cannot locate this information or have questions regarding the information.
4. Combustible mantel height and depth must conform to mantel requirements specified in the fireplace installation manual.

Figure 7.2. Good Faith Guidelines



## 8 Appliance Setup

### A. Remove the Shipping Materials

Remove the plastic coating and shipping materials from the firebox.

**WARNING! Risk of Fire!** Close the ball valve before installing the media template to prevent accidental lighting. Remove the media template before lighting the appliance.

### B. Clean the Appliance

Clean/vacuum any sawdust that may have accumulated inside the firebox.

### C. Optional Accessories

Install only approved accessories per instructions included with accessories. Contact your dealer for a list of approved accessories.

**WARNING! Risk of Fire and Electric Shock!** Use ONLY Hearth & Home Technologies-approved optional accessories with this appliance. Using non-listed accessories could result in a safety hazard and will void the warranty.

### D. Verify Pilot Shield

Ensure proper placement of the pilot shield. See Figure 8.1. Shipping could cause it to become displaced.

### E. Install Lava Rock Media/Glass Media

Pour media into the burner area, evenly covering the burner tube and the entire engine base. After the media has been placed, remove any media from the top area of the pilot shield. Media left covering this area will result in delayed ignition and reduced function of the engine. See Figure 8.2.

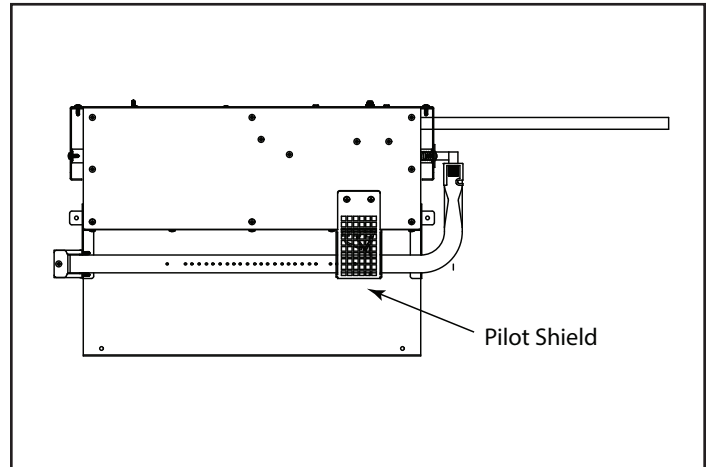


Figure 8.1. Pilot Shield Placement

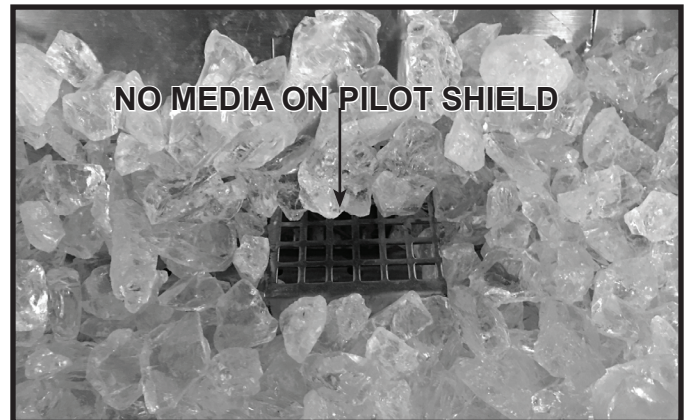


Figure 8.2. Install Media



# 9 Reference Materials

---

## A. Accessories

### LP Conversion Kit:

- LPK-ODCOUG LP Conversion Kit for Courtyard Fireplace

### Media Kits:

- Media-Ebony-48 Glass media, ebony (black)
- Media-Cobalt-48 Glass media, cobalt (blue)
- Media-Red-48 Glass media, scarlet (red)
- Media-Amber-48 Glass media, amber
- Media-Clear-48 Glass media, crystal (translucent white)

### Wired Wall Timer

- WWT Wired Wall Timer Kit

### Optional Door Screen

- DSCOUG-36 Framed mesh screen with canopy 36"
- DSCOUG-42 Framed mesh screen with canopy 42"

### Log Sets

- SDLOGS-ODCOUG Standard definition log set 36" & 42"
- HDLOGS-ODCOUG High definition log set 36" & 42"

### Modern Hearth Kit

- MOD-ODCOUG 36 Modern hearth kit for use with glass media 36"
- MOD-ODCOUG42 Modern hearth kit for use with glass media 42"

### Grate

- GR-ODCOUG Stainless steel grate with lava rock 36"/42"



Outdoor Lifestyles, a brand of Hearth & Home Technologies  
2571 215th Street West, Lakeville, MN 55044  
[www.hearthnhome.com](http://www.hearthnhome.com)

Please contact your Outdoor Lifestyles dealer with any questions or concerns.  
For the location of your nearest Outdoor Lifestyles dealer,  
please visit [www.hearthnhome.com](http://www.hearthnhome.com)