



GENUINE PARTS INSTALLATION INSTRUCTIONS

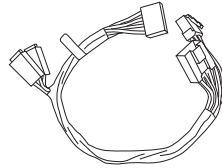
PART NUMBER: H001SAL003

DESCRIPTION: LONG RANGE TURN START
REMOTE ENGINE START SYSTEM
LEGACY / OUTBACK

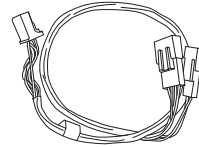
1 KIT CONTENTS



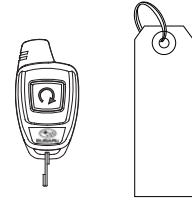
Remote Engine Start Control Module w/ Mounting Bracket
Quantity=1



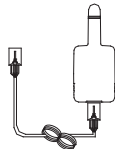
Remote Engine Start Ignition Wire Harness
Quantity=1



Pre-Arranged Jumper Wire Harness
Quantity=1



Remote Engine Start Transmitters w/ Warning Tags
Quantity=2



Remote Engine Start Antenna Pod and Harness
Quantity=1



Under Hood Warning Label
Quantity=1



Quick Reference Card
Quantity=1 English,
1 French

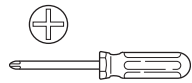


Tie Wraps
20cm Quantity=8
39cm Quantity=11



Flock Tape
Quantity=4

2 TOOLS REQUIRED



Phillips Screwdriver
Short and Standard



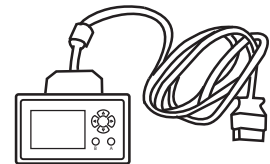
Torque Wrench



Panel Removal Tool



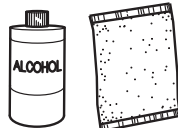
Wire Cutters



SSM IV (DST-i)
Diagnostic Interface



Ratchet, 10mm and 12mm Sockets,
Extension and U-Joint



Alcohol and Towel



Ruler

3 MEANING OF CHARACTERS



: Remove

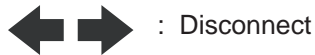
T : Tighten Torque



: Install



: Loosen



: Disconnect



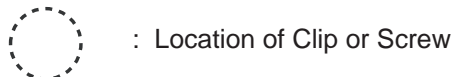
: Discard



: Connect



: Re-use



: Location of Clip or Screw

CAUTION: DO NOT SECURE ANY REMOTE START HARNESSSES / MODULES TO ANY YELLOW HARNESSSES / CONNECTORS (AIRBAG SYSTEM) IN THE VEHICLE.

PART NUMBER
H001SAL003

ISSUE
00

DATE
23 Mar 2018

SUBARU OF AMERICA

1 OF 17

4 VEHICLE PREPARATION

1. Using a 12mm socket/ratchet, disconnect the negative battery terminal. (FIGURE A)

NOTE: Do not disconnect the battery cable from the battery post.

2. Starting at the bottom, use a panel removal tool to carefully remove the left side dashboard panel. (FIGURE B)
Remove one (1) Phillips screw securing the lower dashboard panel on the left side of the dashboard. (FIGURE C)
3. Remove the driver's side under dashboard finisher panel by depressing the three (3) pressure clips and pulling downward. Unplug all connectors attached to the dashboard finisher panel. (FIGURE D)

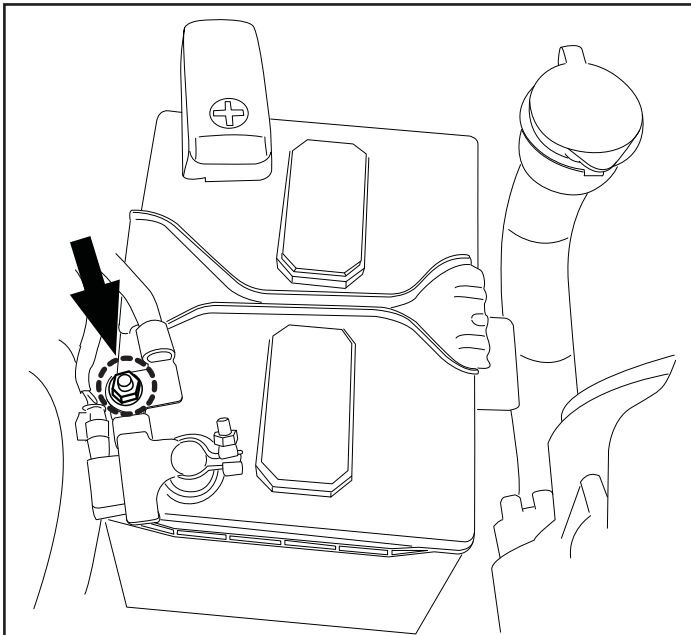


FIGURE A

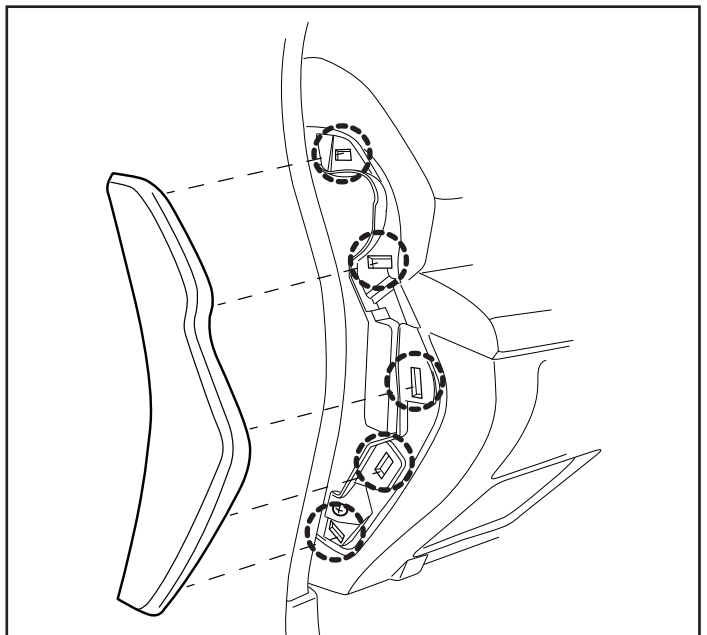


FIGURE B

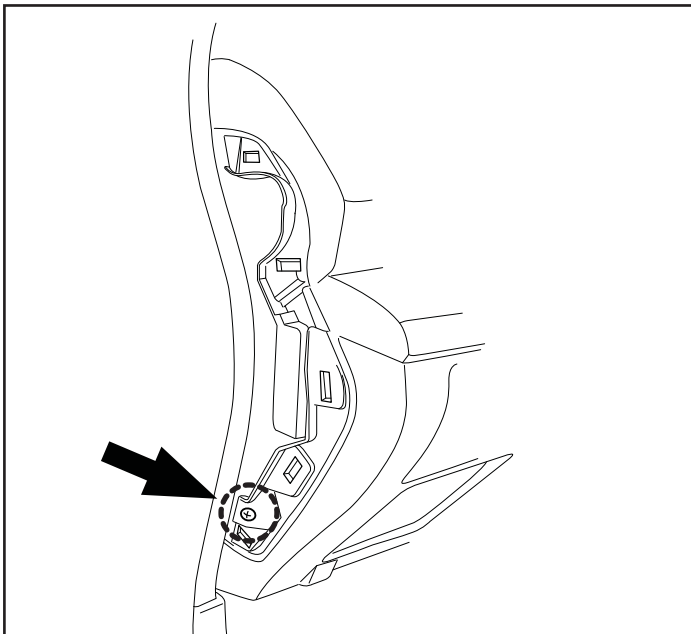


FIGURE C

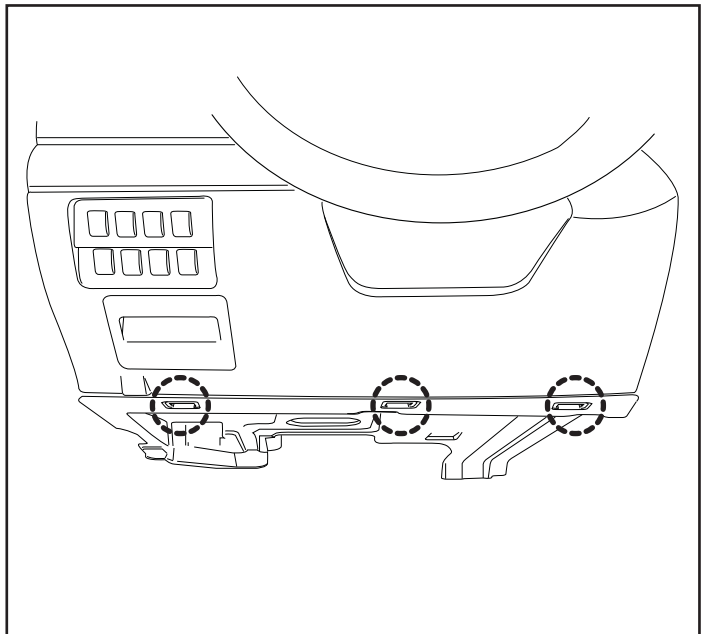
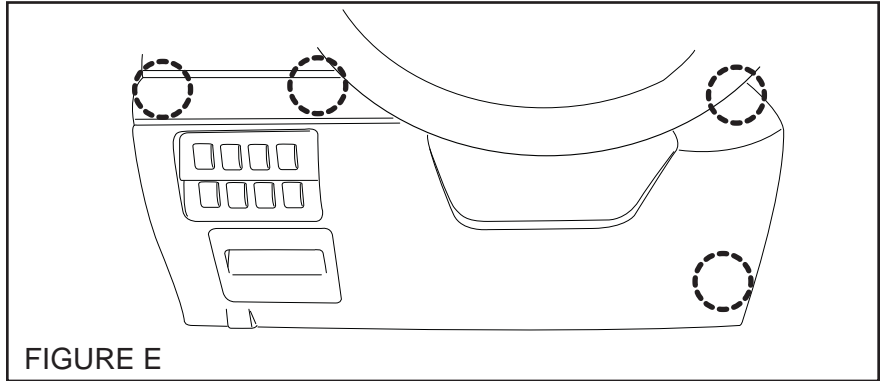


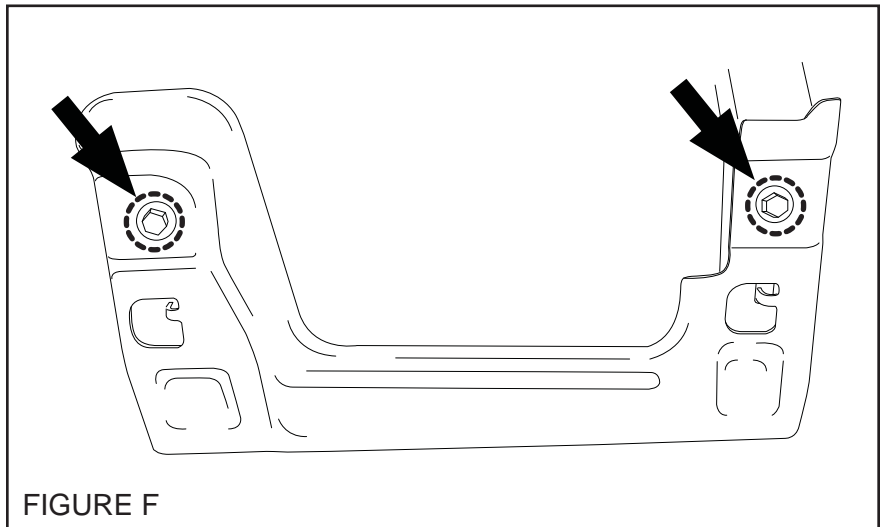
FIGURE D

4 VEHICLE PREPARATION

4. Using a panel removal tool, carefully remove the driver's left side lower dashboard panel by pulling straight out. Unplug all connectors attached to the dashboard panel. (FIGURE E)

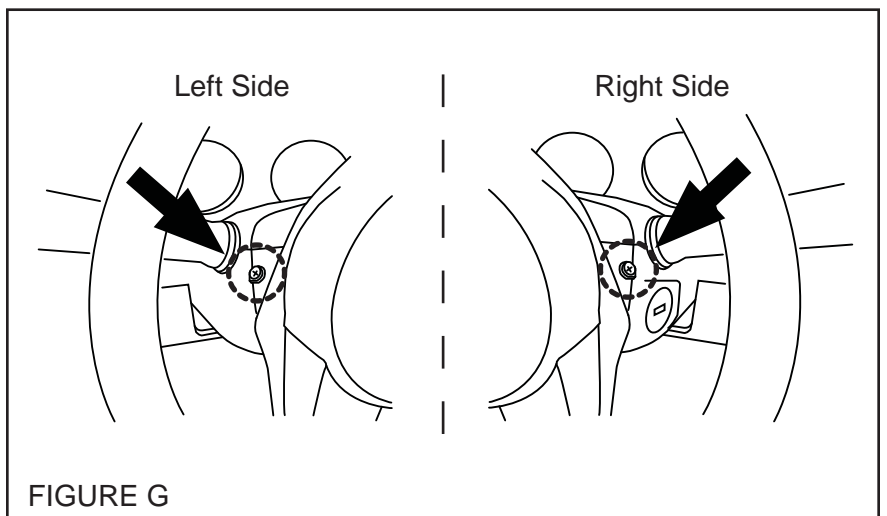


5. Using a 10mm socket/ratchet, remove the two (2) 10mm bolts securing the metal knee bolster. (FIGURE F)



6. Remove the steering column shroud. Using a Phillips screwdriver, remove one (1) Phillips screw on the left side face and one (1) Phillips screw on the right side face of the steering column shroud. Carefully unsnap and remove the lower steering column shroud panel and then remove the upper steering column shroud panel. (FIGURE G)

NOTE: Rotate the steering wheel to access the Phillips screws on the face of the steering column.



5

WINDSHIELD MOUNT ANTENNA INSTALLATION - NON EYESIGHT EQUIPPED VEHICLES

IMPORTANT! THIS SECTION ONLY APPLIES TO VEHICLES WITHOUT THE EYESIGHT SYSTEM. FOR VEHICLES EQUIPPED WITH THE EYESIGHT SYSTEM, DISREGARD THIS SECTION AND PROCEED TO SECTION 6.

A-PILLAR PANEL REMOVAL

1. Remove the driver's side A-pillar panel by releasing the two (2) body clips along with the lower clips where the A-pillar panel meets the dashboard. (FIGURE H)
2. Rotate the A-pillar panel away from the dashboard and release the airbag tether clip from the top of the A-pillar panel. (FIGURE I)

CAUTION! Use care when performing this step to avoid damage to the curtain airbag. If the airbag is damaged, it must be replaced.

3. Inspect the white protective (non-woven fabric) of the curtain airbag. If the fabric is damaged, the curtain airbag assembly must be replaced.

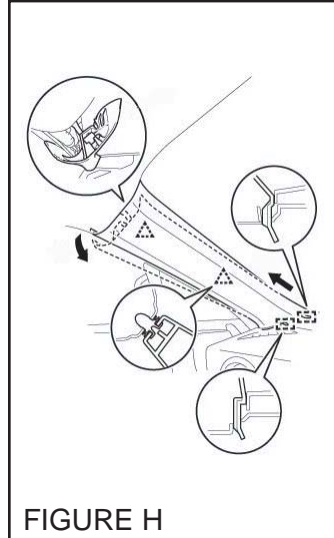


FIGURE H

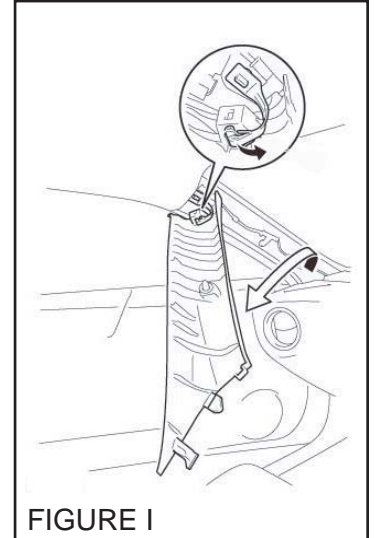


FIGURE I

ANTENNA POD MOUNTING / HARNESS ROUTING

1. Plug the 5-pin connector from the antenna harness into the 5-pin port on the antenna pod. (FIGURE J)
2. Using alcohol, clean the glass surface near the antenna mounting area. Remove the adhesive backing on the antenna pod and apply the antenna to the windshield. The base of the antenna pod (harness connection end) should line up to the area of the windshield where the solid black film and dotted black film meet and 25mm (1") left of the windshield center mark. (FIGURE K)

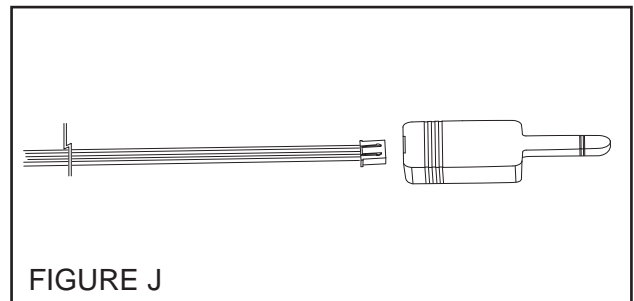


FIGURE J

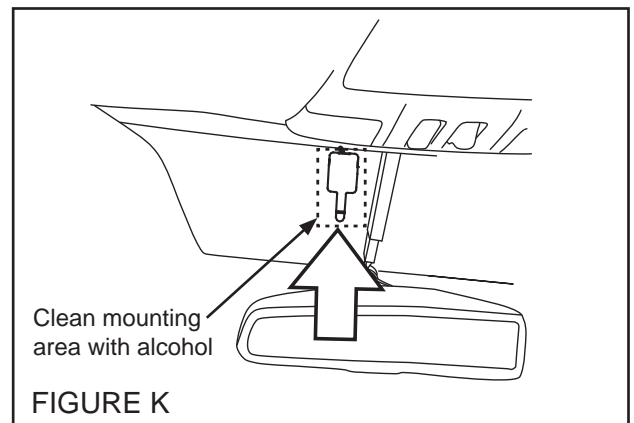


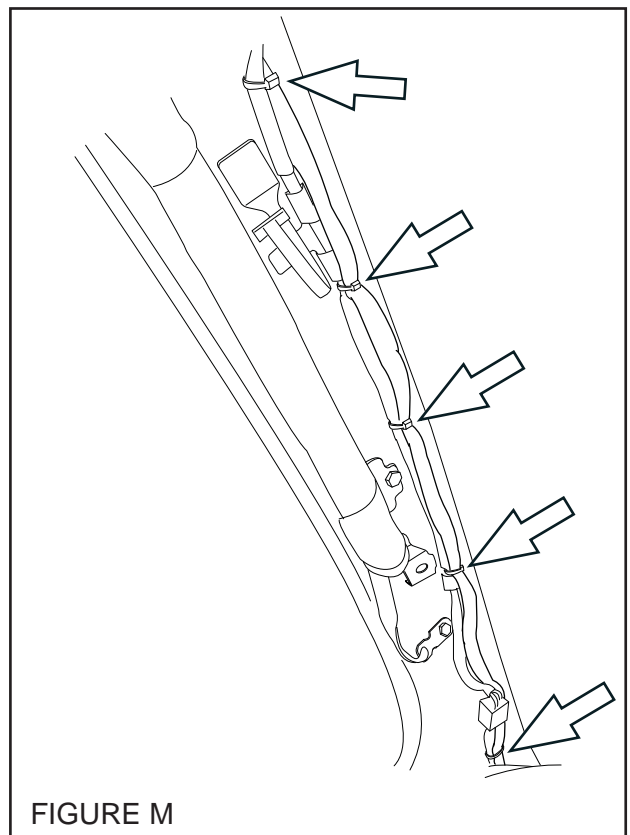
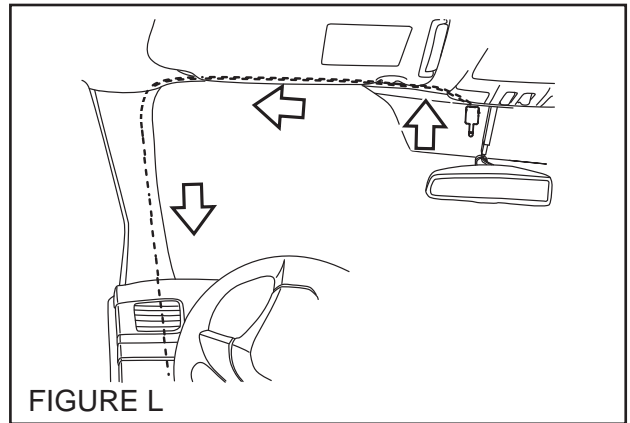
FIGURE K

5

WINDSHIELD MOUNT ANTENNA INSTALLATION - NON EYESIGHT EQUIPPED VEHICLES, continued

3. Route the antenna harness across the headliner and down the A-pillar. Tuck the cable below the driver's side dashboard through the opening closest to the windshield and allow the harness to hang loose behind the vehicle's dashboard mounted fusebox. (FIGURE L) The antenna harness will be plugged into the remote engine start control module during Section 8.
4. Secure the antenna harness to the vehicle wire harness in the A-pillar in five (5) places using the supplied 20cm tie wraps. (FIGURE M)
5. Using one of the supplied 20cm tie wraps, secure the antenna harness to the vehicle wiring behind the fusebox.
6. Re-install the airbag tether clip to the A-pillar panel and rotate the panel into place.
7. Re-install the A-pillar panel.

PROCEED TO SECTION 7



IMPORTANT! THIS SECTION ONLY APPLIES TO VEHICLES EQUIPPED WITH THE EYESIGHT SYSTEM. FOR VEHICLES WITHOUT THE EYESIGHT SYSTEM, DISREGARD THIS SECTION AND RETURN TO SECTION 5.

ANTENNA MOUNTING

1. Mount the antenna pod to the top left hand side of the windshield, near the headliner and driver's side A-pillar trim panel with the antenna pod "finger" facing the passenger's side. Using alcohol, clean the area thoroughly. (FIGURE N)

2. Using a ruler, ensure the top left corner of the antenna pod will be 20mm (3/4") from the right corner of the A-pillar trim panel in a straight line and 10mm (3/8") down from the headliner to the upper right corner of the antenna pod. (FIGURE N)

NOTE: The antenna pod should be level left to right.

3. Remove the adhesive backing and apply the antenna pod to the windshield as described in step 2 above. (FIGURE N)

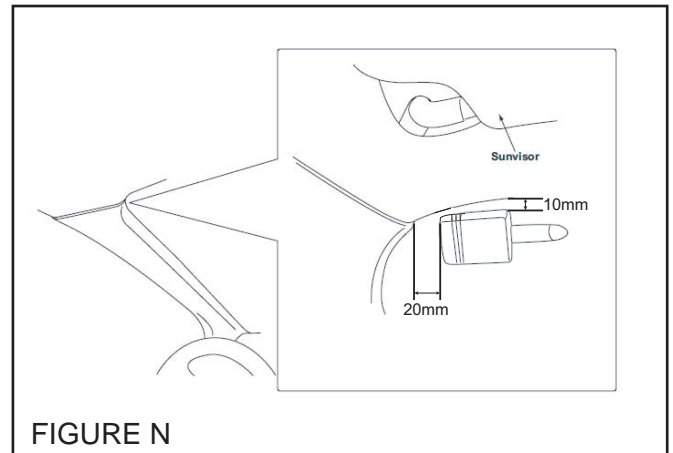


FIGURE N

A-PILLAR PANEL REMOVAL

1. Remove the driver's side A-pillar panel by releasing the two (2) body clips along with the lower clips where the A-pillar panel meets the dashboard. (FIGURE O)

2. Rotate the A-pillar panel away from the dashboard and release the airbag tether clip from the top of the A-pillar panel. (FIGURE P)

CAUTION! Use care when performing this step to avoid damage to the curtain airbag. If the airbag is damaged, it must be replaced.

3. Inspect the white protective (non-woven fabric) of the curtain airbag. If the fabric is damaged, the curtain airbag assembly must be replaced.

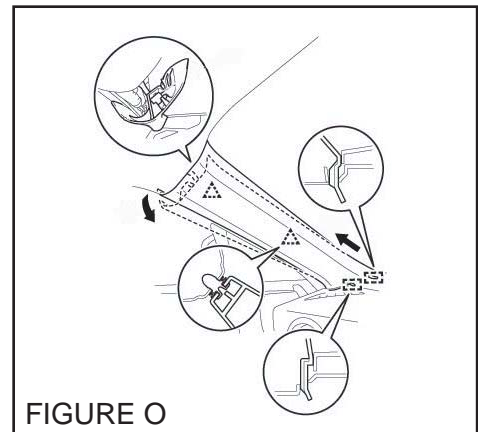


FIGURE O

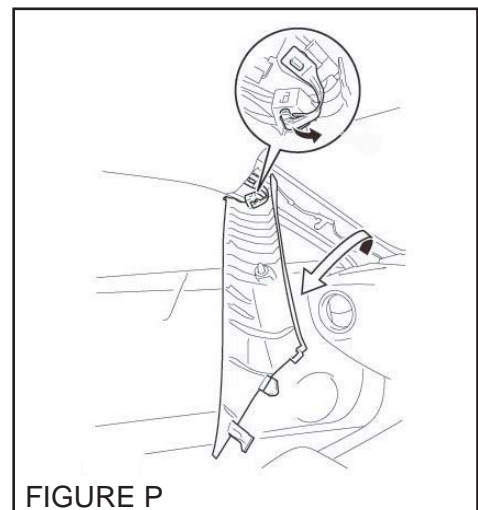


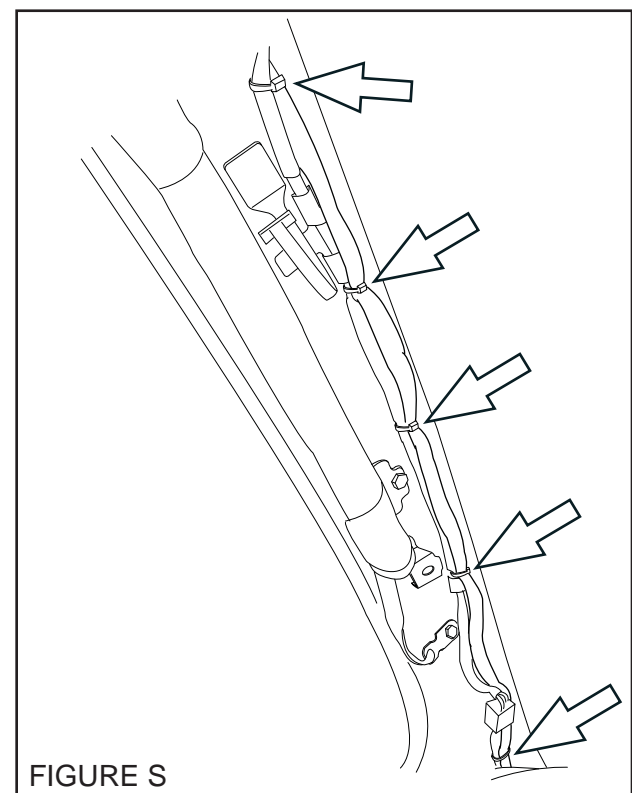
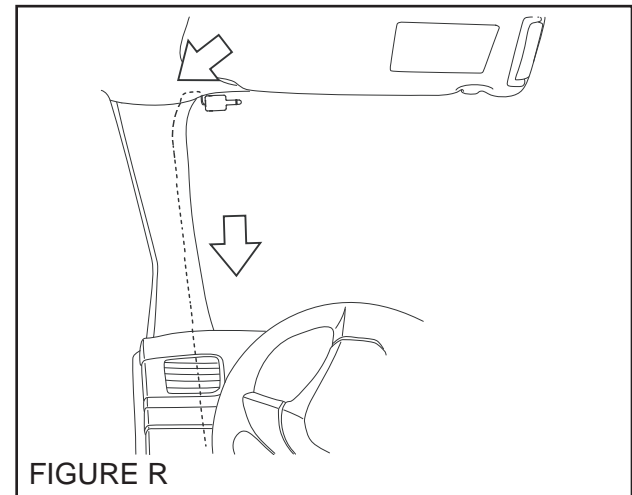
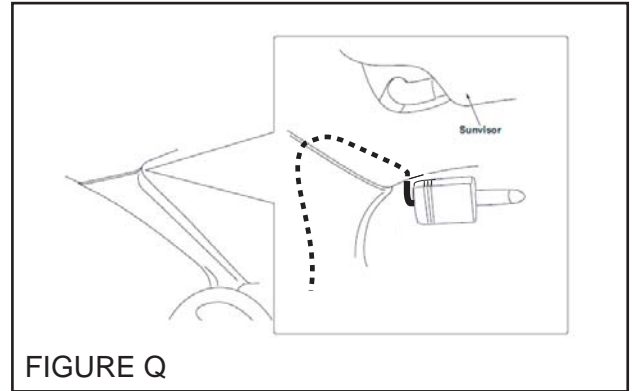
FIGURE P

6

WINDSHIELD MOUNT ANTENNA INSTALLATION - EYESIGHT EQUIPPED VEHICLES, continued

HARNES ROUTING

1. Plug the 5-pin antenna harness into the previously installed antenna pod. (FIGURE Q)
2. Route the antenna harness straight up into the headliner, then across the headliner and down the A-pillar. Tuck the cable below the driver's side dashboard through the opening closest to the windshield and allow the harness to hang loose behind the vehicle's dashboard mounted fusebox. The antenna harness will be plugged into the remote engine start control during Section 8. (FIGURE R)
3. Secure the antenna harness to the vehicle wire harness in the A-pillar in five (5) places using the supplied 20cm tie wraps. (FIGURE S)
4. Using one of the supplied 20cm tie wraps, secure the antenna harness to the vehicle wiring behind the fusebox.
5. Re-install the airbag tether clip to the A-pillar panel and rotate the panel into place.
6. Re-install the A-pillar panel.

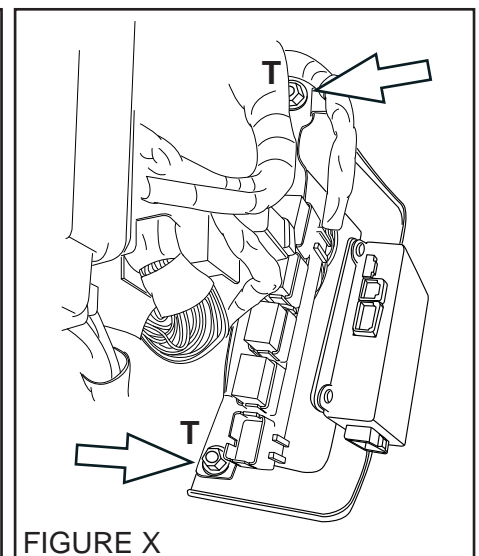
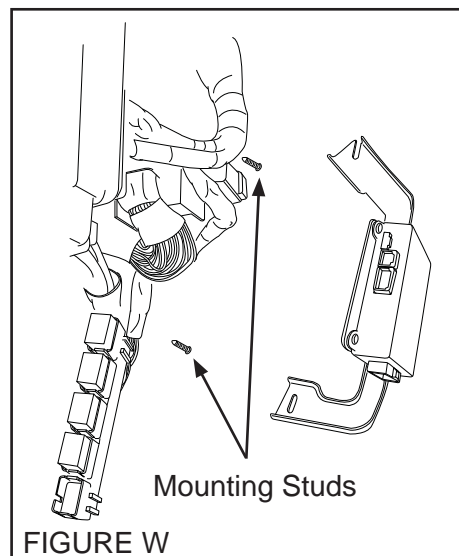
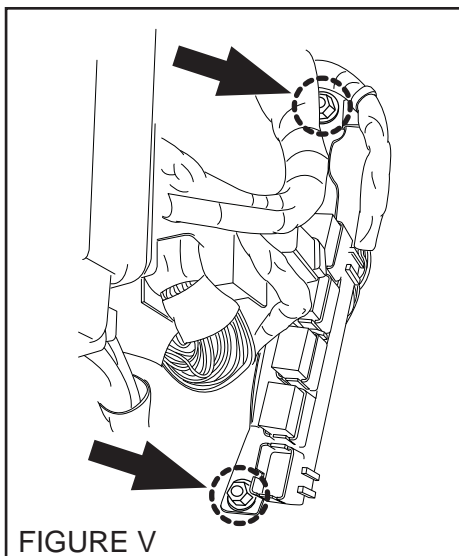
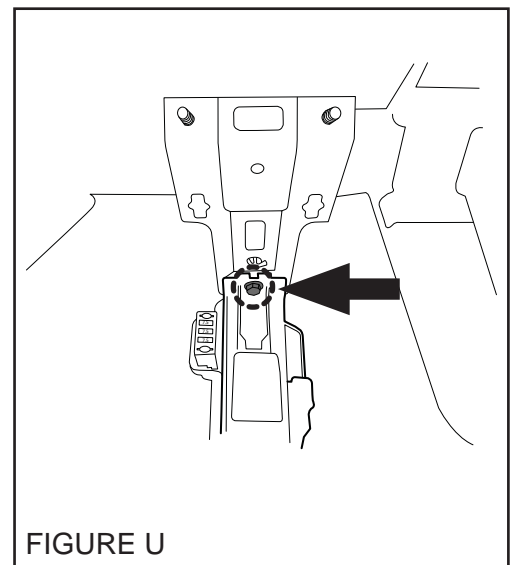
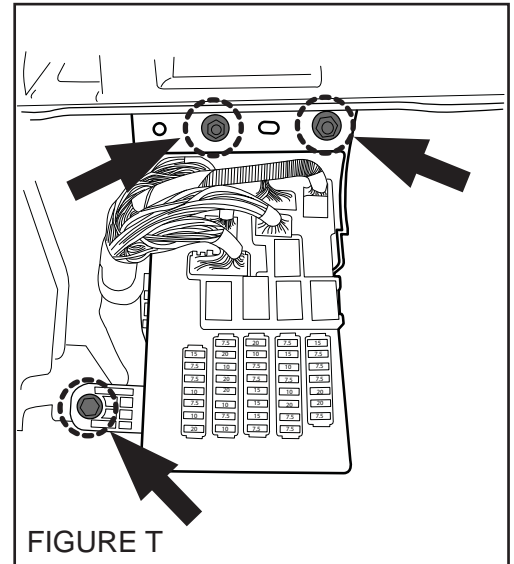


7 REMOTE START ECU/BRACKET MOUNTING

1. Locate the vehicle's fuse box under the driver's side dashboard. Remove the two (2) 10mm nuts and one (1) 10mm bolt securing the fuse box and move it down and to the right for access to the vehicle's white protective cover. (FIGURE T)
2. Remove one (1) 10mm bolt securing the vehicle's white protective cover and move it to the left for access to the vehicle's auxiliary relay block. (FIGURE U)
3. Locate the vehicle's auxiliary relay block bracket mounted to the dashwall behind the fuse box and to the left of the brake pedal. (FIGURE V)
4. Remove the two (2) 10mm mounting nuts. (FIGURE V)
5. Lift the auxiliary relay block bracket off of the mounting studs.
6. Position the remote engine start ECU bracket onto the mounting studs. (FIGURE W)
7. Install the relay block bracket back onto the mounting studs on top of the remote engine start ECU bracket. (FIGURE X)

NOTE: Confirm the remote engine start ECU bracket is positioned under the relay block bracket and on top of the dashwall insulation material.

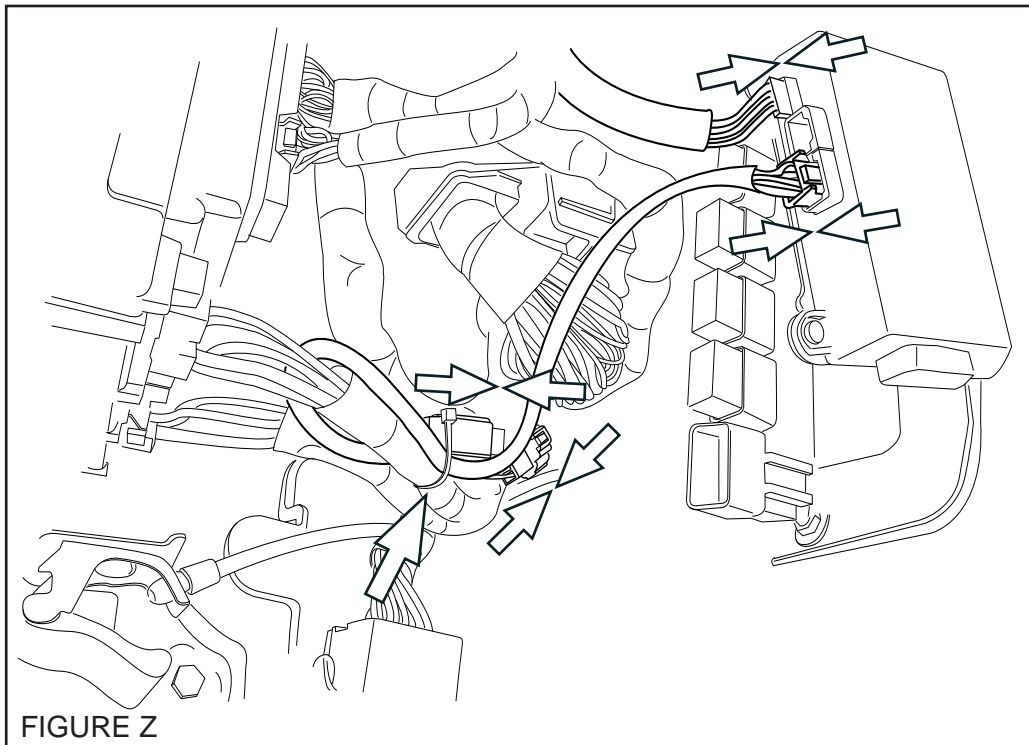
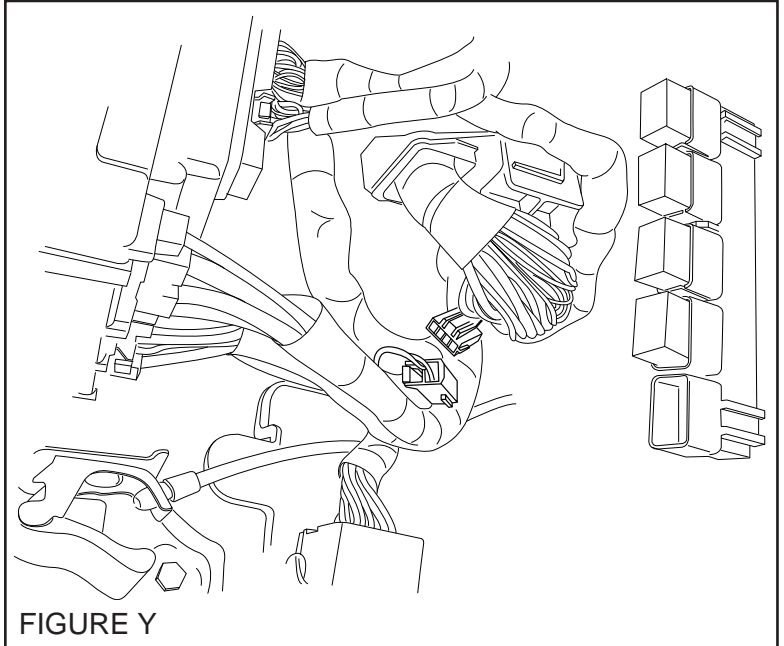
8. Verify the remote engine start ECU bracket and relay block bracket are properly seated, then torque the lower 10mm mounting nut, followed by the upper 10mm mounting nut to 10.8 Nm +/- 2 Nm (1.10 Kgf-m +/- 0.2 Kgf-m, 8 ft-lbs +/- 1.5 ft-lbs).



8

PRE-ARRANGED JUMPER HARNESS CONNECTIONS

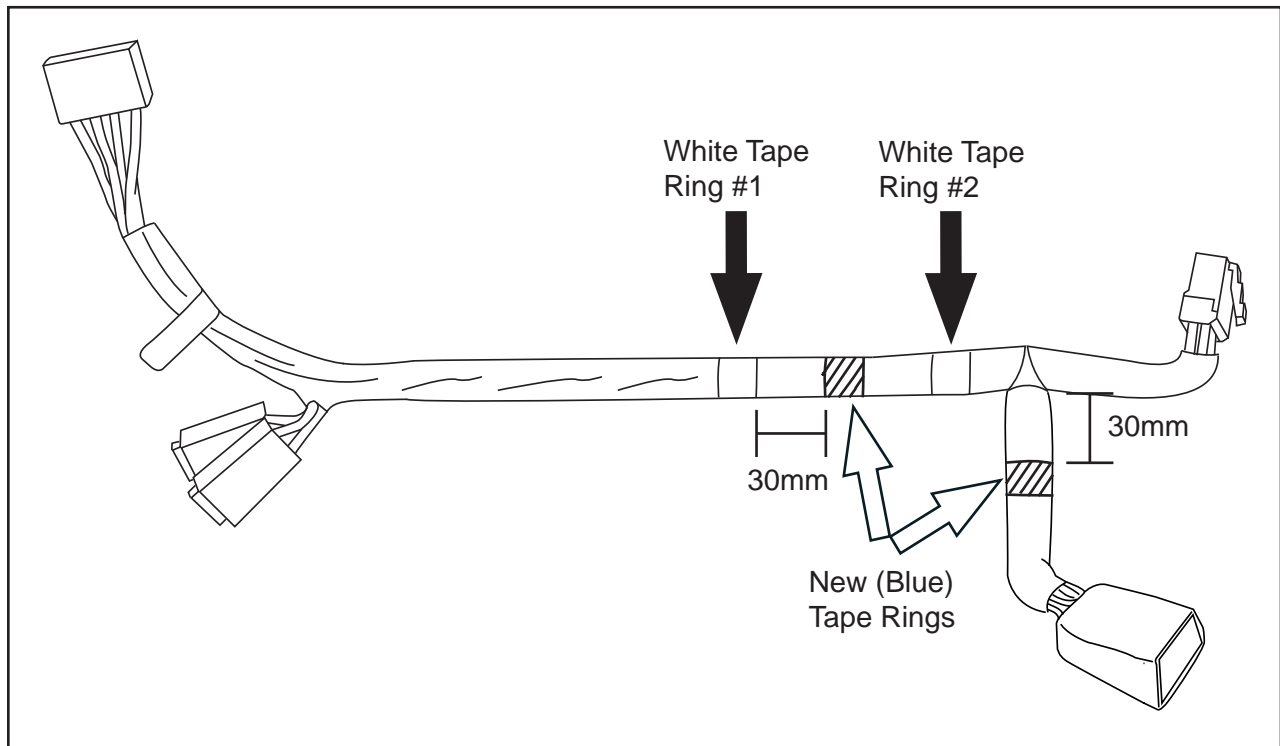
1. Locate the vehicle's 4-pin and 2-pin pre-fit connectors behind the vehicle's fusebox near the kick panel area. These connectors are secured to the vehicle wiring using breakaway tape. (FIGURE Y)
2. When the 2-pin pre-fit connector is located, unplug and discard the mating wire jumper. (This is used for the power window interrupt circuit.)
3. Plug the remote engine start pre-arranged jumper harness 4-pin and 2-pin connectors into the corresponding pre-fit connectors. (FIGURE Z)
4. Plug the 12-pin pre-arranged harness into the 12-pin white port on the remote engine start ECU (installed in previous section). (FIGURE Z)
5. Plug the 5-pin antenna harness into the 5-pin black port on the remote engine start ECU (installed in previous section). (FIGURE Z)
6. Using one (1) of the supplied 20cm tie wraps, bundle and secure any excess pre-arranged jumper harness to the existing vehicle wiring. (FIGURE Z)



8-PIN IGNITION SWITCH CONNECTIONS - REVISED SECURING LOCATIONS

If the RES Kit is equipped with the original Rev - Ignition Harness (White tape rings), a minor modification is required before routing to identify the new tie wrap securing locations.

1. Measure 30mm from the edge of White Tape Ring #1 and mark the harness by wrapping a new piece of electrical tape around the harness, as shown below.
2. Measure 30mm from the male ignition connector harness break out and mark the harness by wrapping a new piece of electrical tape around the harness, as shown below.
3. The two (2) new securing locations, marked with electrical tape, will be used during Section 9 (Figure BB). The white tape rings are no longer used.

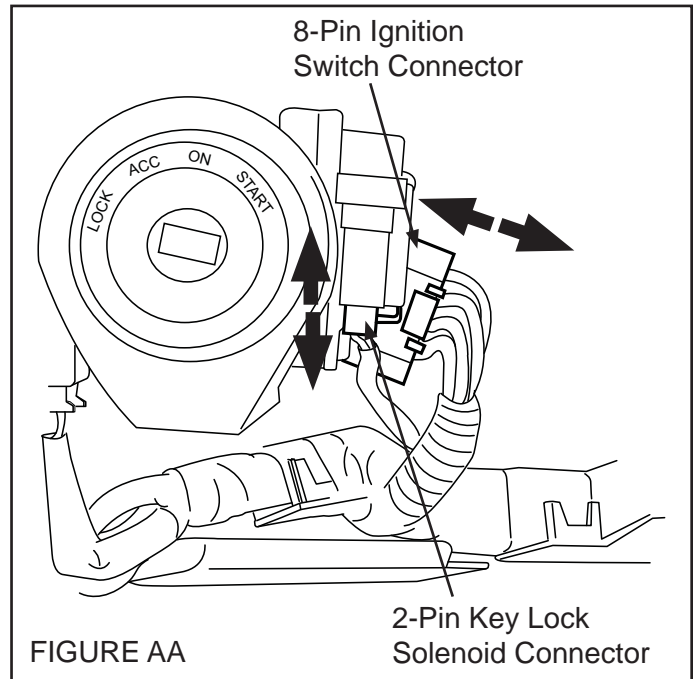


NOTE: If the RES Kit is equipped with the new Rev A Ignition Harness (Blue tape rings), no modifications are necessary. Proceed with the ignition harness installation on Page 11.

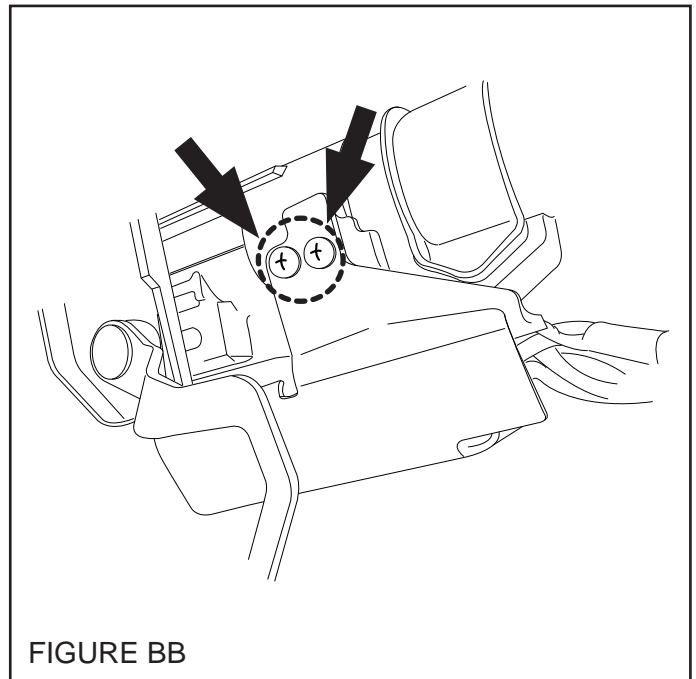
9 IGNITION HARNESS CONNECTIONS, continued

8-PIN IGNITION SWITCH CONNECTIONS, continued

1. Adjust the tilt/telescoping steering column all the way out and down.
2. Locate the 8-pin ignition switch connector and the 2-pin key lock solenoid connector on the right side of the steering column. Unplug both connectors and carefully pull the connectors down and away from the steering column. (FIGURE AA)



3. Using a Phillips screwdriver, remove the two (2) screws securing the large metal bracket to the left side of the steering column. (FIGURE BB)



9 IGNITION HARNESS CONNECTIONS, continued

8-PIN IGNITION SWITCH CONNECTIONS, continued

- Using alcohol, clean the large metal bracket thoroughly. Ensure the bracket is clean and dry. Using four (4) pieces of the supplied flock tape, wrap the large metal bracket edges, as shown. Press firmly in place. (FIGURE CC)

NOTE: Ensure the flock tape pieces are positioned properly to prevent the remote engine start ignition harness from chafing against the large metal bracket.

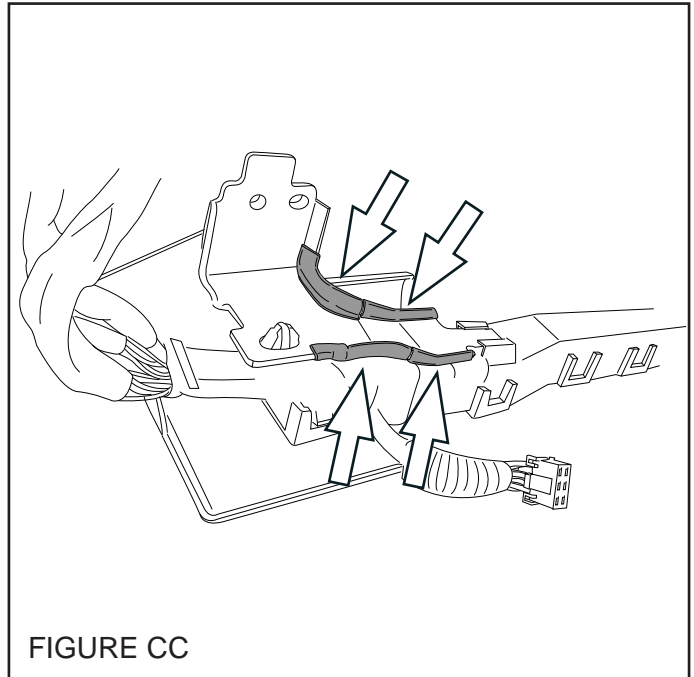


FIGURE CC

- Using two (2) of the supplied 39cm tie wraps, secure the remote engine start ignition harness to the vehicle harness running up the center of the large bracket. The first tie wrap should secure the harness in front of the bracket at the new (blue) tape ring. The second tie wrap should secure the harness behind the bracket at the new (blue) tape ring. (FIGURE DD)

CAUTION: DO NOT SECURE THE REMOTE ENGINE START IGNITION HARNESS TO ANY YELLOW HARNESSES/CONNECTORS (AIRBAG SYSTEM) IN THE VEHICLE.

- Using a Phillips screwdriver, reinstall the two (2) screws securing the large metal bracket to the left side of the steering column. Torque the screws to 4 Nm +/- 1 Nm (0.41 Kgf-m +/- 0.1Kgf-m, 2.95 ft. lbs. +/- 0.74 ft. lbs.). (FIGURE BB)

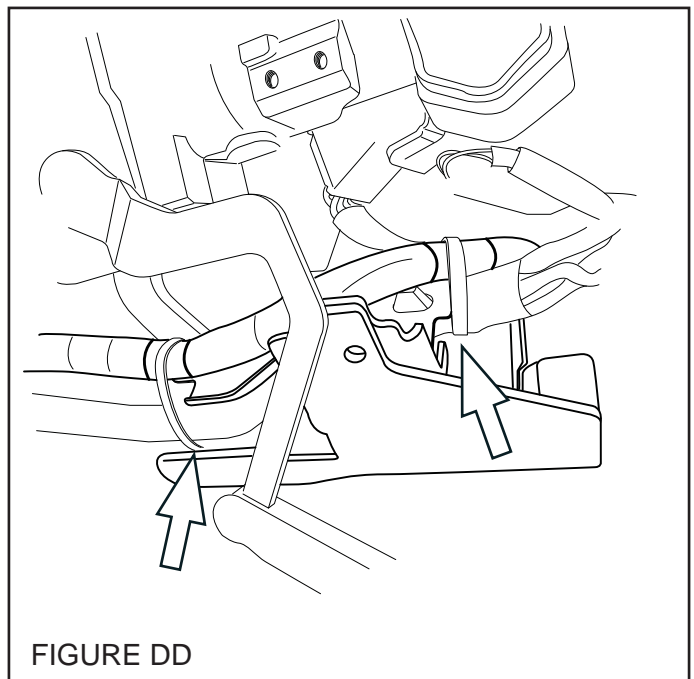


FIGURE DD

NOTE: Use care to ensure the screws are not over tightened to prevent damage to the screws.

9 IGNITION HARNESS CONNECTIONS, continued

8-PIN IGNITION SWITCH CONNECTIONS, continued

7. Plug the remote engine start ignition harness 8-pin female connector into the vehicle's ignition switch. (FIGURE EE)

8. Reconnect the 2-pin key lock solenoid connector, making sure the harness is routed outside (passenger side) of the remote engine start ignition harness. (FIGURE FF)

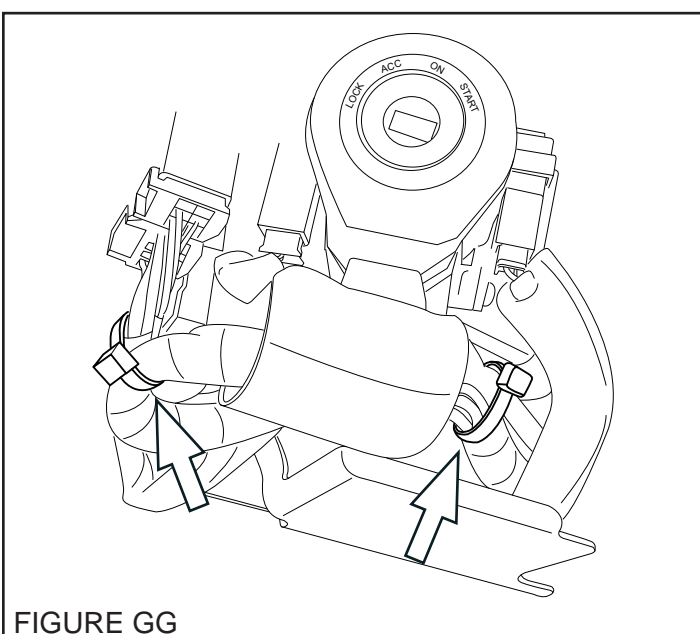
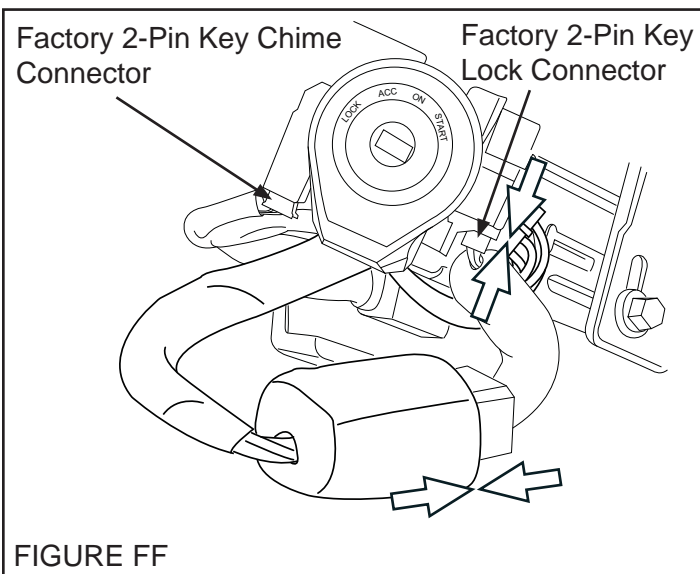
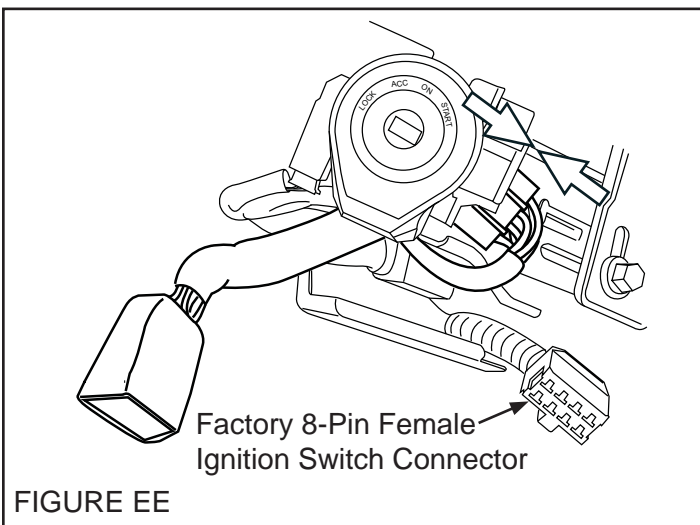
In addition, ensure the 2-pin key chime connector on the left hand side of the vehicle's ignition switch has not been disconnected and is completely engaged. (FIGURE FF)

CAUTION: IF EITHER CONNECTOR IS NOT FULLY ENGAGED, THE IGNITION KEY COULD BE REMOVED WHEN THE TRANSMISSION SHIFT LEVER IS NOT IN PARK.

9. Carefully fold back the remote engine start ignition harness 8-pin foam wrapped male connector. Plug the previously unplugged vehicle's female ignition switch connector into the remote engine start ignition harness 8-pin male connector. (FIGURE FF)

10. Secure the remote engine start ignition harness to the vehicle's wiring harness using two (2) of the supplied 39cm tie wraps. (FIGURE GG)

CAUTION: DO NOT SECURE THE REMOTE ENGINE START IGNITION HARNESS TO ANY YELLOW HARNESSSES/CONNECTORS (AIRBAG SYSTEM) IN THE VEHICLE.



9 IGNITION HARNESS CONNECTIONS, continued

8-PIN IGNITION SWITCH CONNECTIONS, continued

11. Route the remote engine start ignition harness down the steering column along the top of the vehicle's plastic wire harness shroud. Secure the remote engine start ignition harness to the vehicle's plastic wire harness shroud with one (1) supplied 39cm tie wrap. (FIGURE HH)
12. Continue to route the remote engine start ignition harness along the vehicle's ignition harness towards the left side of the dashboard and secure it with three (3) of the supplied 39cm tie wraps. (FIGURE HH)
13. Allow the remote engine start ignition harness to drop down behind the vehicle's fusebox and plug into the bottom (large) connector on the remote engine start ECU (previously mounted in Section 7). (FIGURE HH)
14. Secure the remote engine start ignition harness and any excess antenna harness to the vehicle wiring using two (2) of the supplied 39cm tie wraps. (FIGURE HH)

CAUTION: DO NOT SECURE THE REMOTE ENGINE START HARNESS TO ANY YELLOW HARNESSES / CONNECTORS (AIRBAG SYSTEM) IN THE VEHICLE.

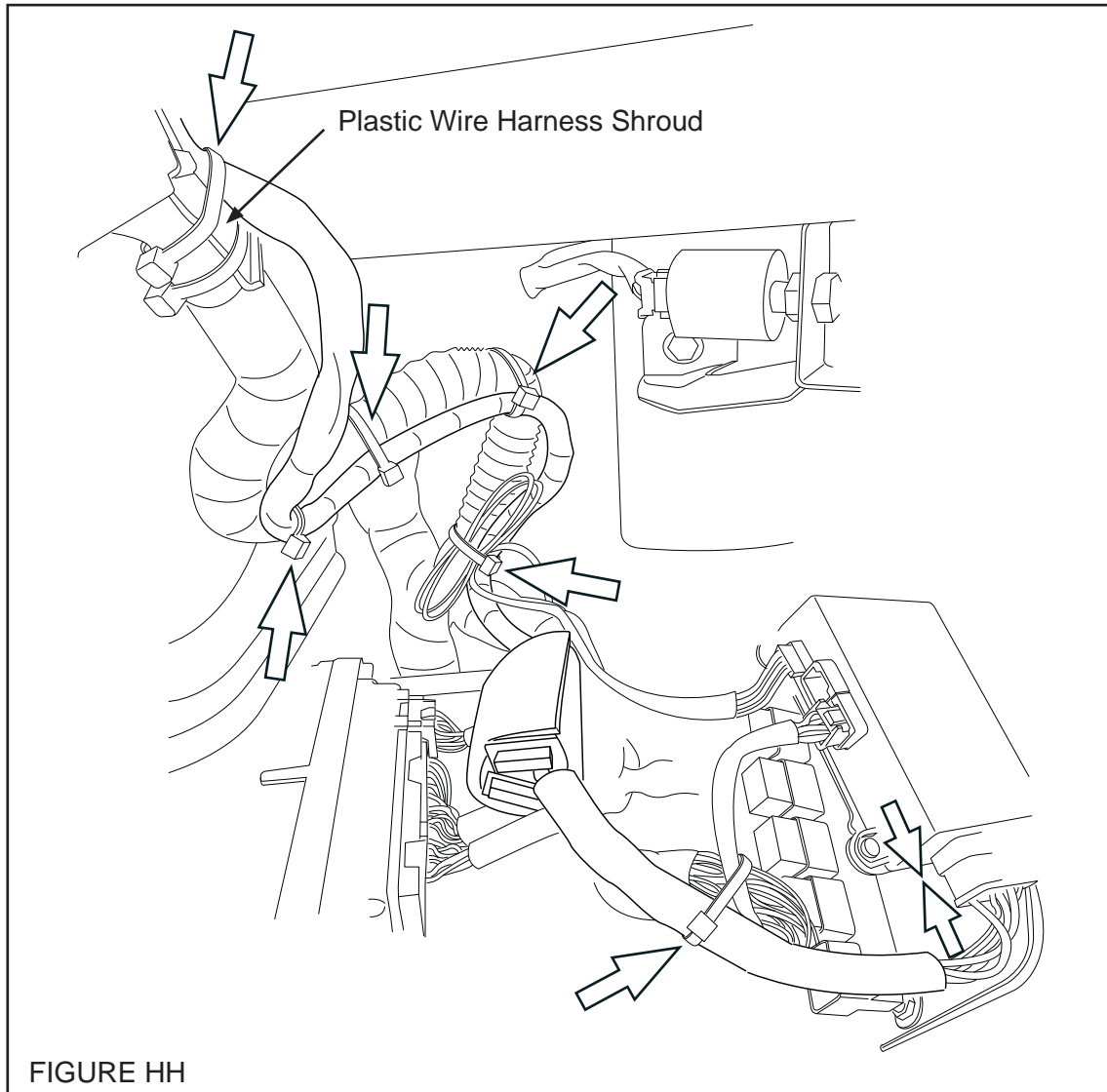
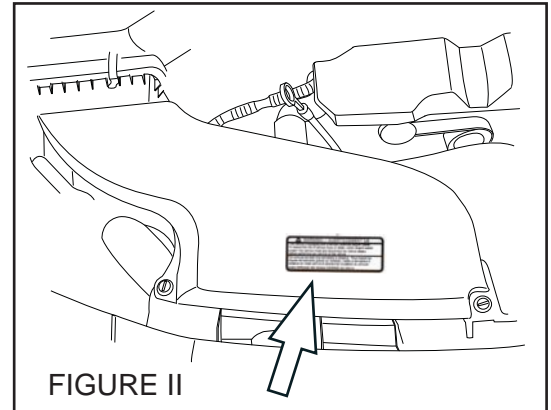


FIGURE HH

10 UNDER HOOD WARNING LABEL MOUNTING

1. Using alcohol, clean the top of the air intake plenum, near the radiator core support.
2. Remove the adhesive backing from the under hood warning label and secure it to the top of the air intake plenum, as shown. (FIGURE II)



11 PANEL RE-ASSEMBLY

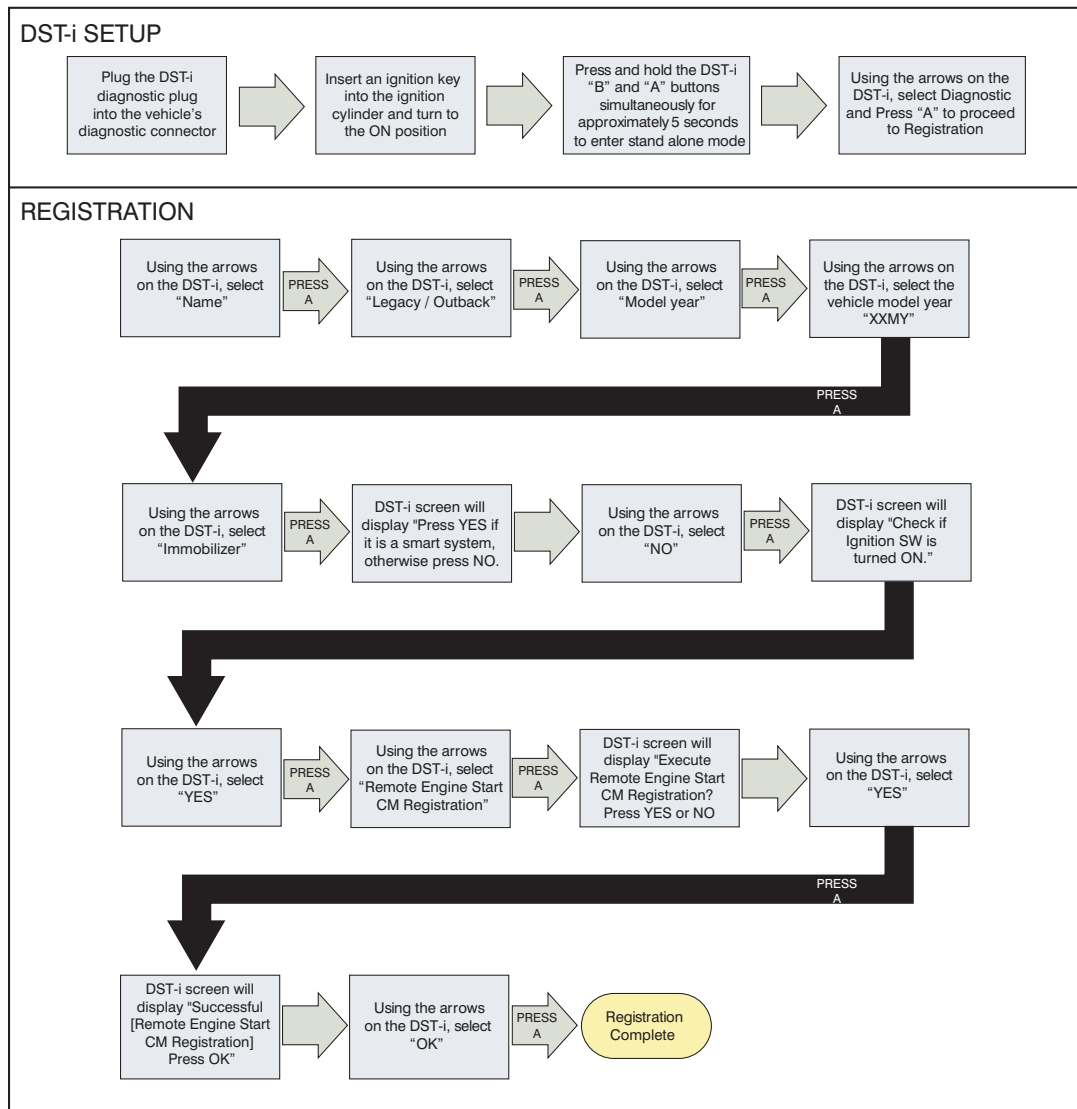
1. Re-install the white protective cover and secure with one (1) 10mm bolt.
2. Re-install the fuse box and torque the two (2) 10mm nuts and one (1) 10mm bolt to 7.5 Nm +/- 2 Nm (0.76 Kgf-m +/- 0.2 Kgf-m, 5.5 ft-lbs +/- 1.5 ft-lbs).
3. Re-install the steering column shroud and secure in place with two (2) Phillips screws.
4. Re-install the metal knee bolster and torque the two (2) 10mm bolts to 7.5 Nm +/- 2 Nm (0.76 Kgf-m +/- 0.2 Kgf-m, 5.5 ft-lbs +/- 1.5 ft-lbs).
5. Plug in any previously removed connectors and re-install the driver's lower dashboard panel by engaging four (4) pressure clips.
6. Re-install the under dashboard finisher panel by engaging three (3) pressure clips.
7. Re-install the one (1) Phillips screw on the left side of the dashboard that secures the driver's lower dashboard panel in place.
8. Re-install the left side dashboard panel by engaging five (5) pressure clips.
9. At the end of the installation, insert the Quick Reference Cards into the Owner's Information Kit.

12 SYSTEM POWER-UP

1. After all the connections are complete, re-connect the vehicle's negative battery terminal. Using a 12mm socket/ torque wrench, tighten the 12mm nut to 7.5 Nm +/- 2 Nm (0.76 Kgf-m +/- 0.2 Kgf-m, 5.5 ft-lbs +/- 1.5 ft-lbs).
2. Start the vehicle a minimum of one (1) time using the ignition key prior to activating the remote engine start system. This is required to allow the vehicle electronic systems to re-synchronize.
3. With the vehicle running via the ignition key, verify that the instrument cluster airbag light turns off. If the airbag light remains on, refer to the vehicle service information for troubleshooting.
4. With the vehicle running by the ignition key, apply the brake pedal and shift the transmission out of park. Turn off the engine and confirm the ignition key cannot be removed from the ignition switch. If it can, confirm the key lock solenoid and key chime connectors are fully engaged and the delivery (test) mode fuse is removed, then re-check.
5. Refer to the vehicle Owner's manual for the Power Window Reset Procedure to restore the power window functions.

13 SYSTEM REGISTRATION

NOTE: Once the Ignition is turned ON, the system will exit System Registration after 2 minutes.



14 POST INSTALLATION CHECKLIST

- 1. REMOTE ENGINE START- Ensure the key is removed from the ignition switch, the engine hood, all doors and trunk are closed. Press the START button two (2) times within three (3) seconds. The vehicle's parking lights should flash and the vehicle's horn should honk one (1) time and then the vehicle should crank and start. Once started, the transmitter button will flash (2) times and the parking lights will turn on and stay on signifying the vehicle is running. The transmitter button will flash one (1) time every five (5) seconds signifying the vehicle is still running.
- 2. SHUT DOWN WITH DOOR OPEN - While the vehicle is running by the remote engine start, wait at least five (5) seconds and then confirm that all functions (lock, unlock & trunk, but not panic) operate properly on the FACTORY transmitter. Once the FACTORY transmitter functionality is confirmed, press the UNLOCK button on the FACTORY transmitter and open any vehicle door. The remote engine start should shut down and the transmitter button should flash three (3) times indicating the system has shut down.
- 3. ACTIVATION WITH DOOR OPEN - Ensure the key is removed from the ignition switch and the engine hood and trunk are closed. Open the driver's door, press the START button two (2) times within three (3) seconds. The vehicle's parking lights should flash and vehicle's horn should honk six (6) times. The vehicle should not start with any door or trunk opened.
- 4. BRAKE PEDAL SAFETY - While sitting in the vehicle with the engine hood, all doors and trunk closed, activate the remote engine start and press the brake pedal. The vehicle should shut off.
- 5. KEY-IN-SENSE - While sitting in the vehicle with the engine hood, all doors and trunk closed, insert the ignition key into the ignition switch, but keep it in the OFF position. Activate the remote engine start. The vehicle's parking lights should flash and the vehicle's horn should honk two (2) times. The vehicle should not start since the key is in the ignition switch.
- 6. HOOD SAFETY SWITCH - Open the engine hood and activate the remote engine start. The vehicle's parking lights should flash and the vehicle's horn should honk two (2) times. The vehicle should not start since the hood safety switch is activated.
- 7. HEATER / AC FUNCTION - Using the ignition key, turn the ignition to the ON position. Preset the vehicle's heater or air conditioning to the ON position. Turn the ignition OFF and remove the ignition key. Activate the remote engine start and verify that the heater or air conditioning turns on to the preset setting for manual climate controlled vehicles or turns to the "Full Auto" setting for electronic climate control vehicles.
- 8. 15 MINUTE RUN TIME - Activate the remote engine start and allow the system to run for the 15 minute preset run time. The remote engine start should shut down after 15 minutes (+/- 10 seconds).
- 9. TRANSMITTER FUNCTIONALITY VERIFICATION - Activate the remote engine start using both of the supplied single button transmitters.
- 10. With the vehicle running by the ignition key, apply the brake pedal and shift the transmission out of park. Turn OFF the engine and confirm the ignition key cannot be removed from the ignition switch. If it can, confirm the key lock solenoid and key chime connectors are fully engaged and the delivery (test) mode fuse is removed, then re-check.

FUNCTIONAL TESTING IS NOW COMPLETE.

PART NUMBER H001SAL003	ISSUE 00	DATE 23 Mar 2018	SUBARU OF AMERICA	17 OF 17
---------------------------	-------------	---------------------	-------------------	----------



GENUINE PARTS
INSTRUCTIONS
INSTRUCTIONS

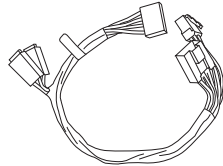
NUMÉRO DE PIÈCE : H001SAL003

DESCRIPTION : SYSTÈME DE DÉMARRAGE À DISTANCE
LONGUE PORTÉE
LEGACY et OUTBACK

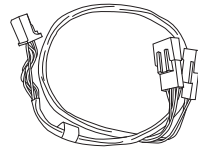
1 CONTENU DE LA TROUSSE



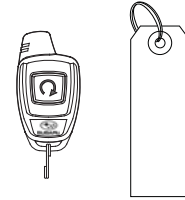
Module de démarrage à distance du moteur avec support
Quantité = 1



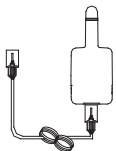
Faisceau de câblage d'allumage du démarreur à distance du moteur
Quantité = 1



Faisceau de câblage cavalier prémonté
Quantité = 1



Télécommandes de démarrage à distance avec étiquettes de mise en garde
Quantité = 2



Pied d'antenne et faisceau de câblage de démarrage à distance du moteur
Quantité = 1



Étiquette de mise en garde du compartiment moteur
Quantité = 1



Carte de référence rapide
Quantité = 1 en anglais,
1 en français

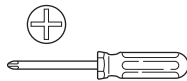


Attaches autobloquantes
20 cm, quantité = 8
39 cm, quantité = 11



Ruban de flocage
Quantité = 4

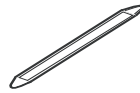
2 OUTILS REQUIS



Tournevis Phillips, court et standard



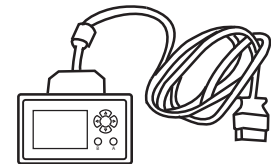
Clé dynamométrique



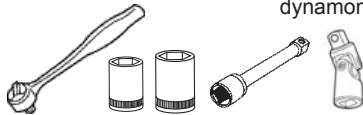
Outil de dépose de panneau



Coupe-fils



Interface diagnostic SSM IV (DST-i)



Clé à rochet, douilles de 10 et 12 mm, rallonge et joint à rotule



Alcool et chiffon



Règle

3 SIGNIFICATION DES SYMBOLES



: Déposer

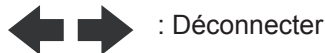
T : Couple de serrage



: Poser



: Desserrer



: Déconnecter



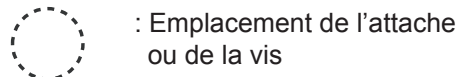
: Jeter



: Connecter



: Réutiliser



: Emplacement de l'attache ou de la vis

MISE EN GARDE : N'ATTACHEZ JAMAIS LE FAISCEAU OU LE MODULE DE DÉMARRAGE À DISTANCE À UN FAISCEAU JAUNE DU VÉHICULE OU À SON CONNECTEUR (SYSTÈME DE COUSSINS GONFLABLES).

NUMÉRO DE PIÈCE
H001SAL003

VERSION
00

DATE
23 Mar 2018

SUBARU OF AMERICA

1 DE 17

4 PRÉPARATION DU VÉHICULE

1. À l'aide d'une clé à rochet/douille de 12 mm, déconnectez la borne négative de la batterie. (FIGURE A)
REMARQUE : Ne débranchez pas le câble de la borne de la batterie.
2. En commençant à la base à l'aide de l'outil de dépose de panneau, déposez délicatement le panneau gauche du tableau de bord. (FIGURE B)
Retirez une (1) des vis Phillips retenant le panneau inférieur au tableau de bord à l'extrémité gauche du tableau de bord. (FIGURE C)
3. Retirez le panneau de garniture sous le tableau de bord du côté conducteur en appuyant sur les trois (3) attaches vers le bas. Débranchez tous les connecteurs fixés au panneau de garniture du tableau de bord. (FIGURE D)

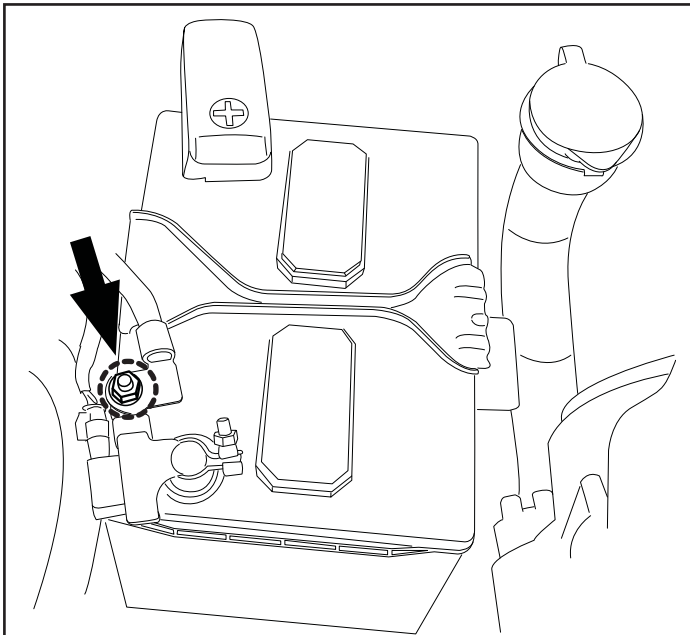


FIGURE A

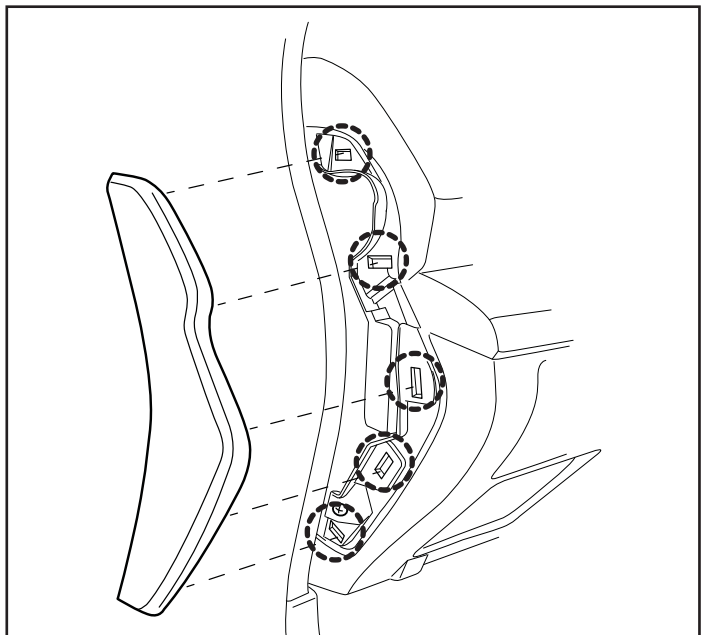


FIGURE B

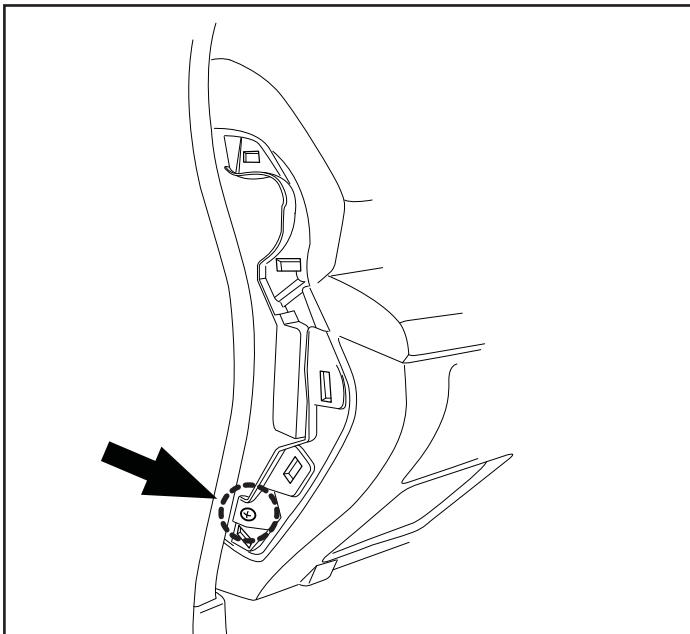


FIGURE C

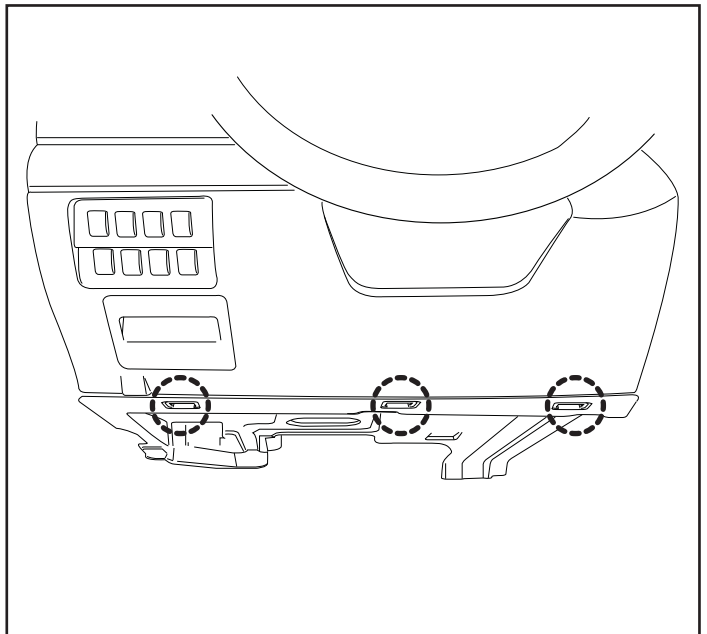


FIGURE D

4 PRÉPARATION DU VÉHICULE

4. Au moyen de l'outil de dépose de panneau, enlevez délicatement le panneau inférieur gauche du tableau de bord en le tirant directement. Débranchez tous les connecteurs fixés au tableau de bord. (FIGURE E)

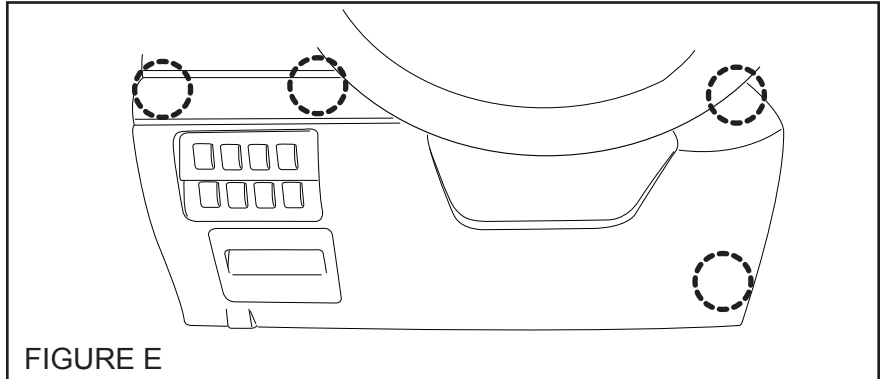


FIGURE E

5. À l'aide d'une clé à rochet et d'une douille de 10 mm, retirez les deux (2) boulons de 10 mm maintenant en place le protège-genoux en métal. (FIGURE F)

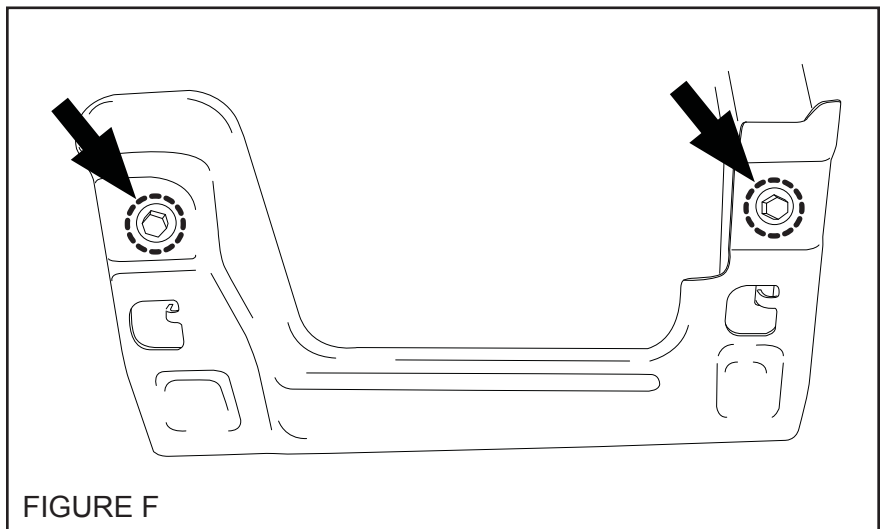


FIGURE F

6. Déposez la coquille de la colonne de direction. À l'aide du tournevis cruciforme, retirez une (1) vis de la face gauche et une (1) vis de la face droite de la coquille de la colonne de direction. Décrochez délicatement la coquille inférieure de la colonne de direction et enlevez-la, puis enlevez la coquille supérieure. (FIGURE G)

REMARQUE : Tourner le volant pour accéder aux vis Phillips sur la face de la colonne de direction.

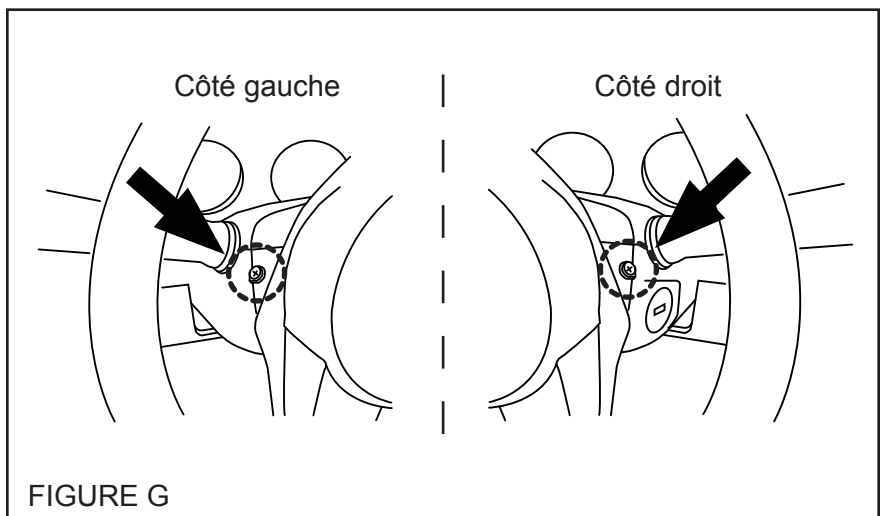


FIGURE G

IMPORTANT! CETTE SECTION S'APPLIQUE SEULEMENT AUX VÉHICULES QUI NE SONT PAS ÉQUIPÉS D'UNE CAMÉRA EYESIGHT. POUR LES VÉHICULES ÉQUIPÉS D'UNE CAMÉRA EYESIGHT, SAUTEZ CETTE SECTION ET PASSEZ À LA SECTION 6.

DÉPOSE DU PANNEAU DU MONTANT AVANT

1. Retirez le panneau du montant avant du côté conducteur en dégageant les deux (2) attaches ainsi que les attaches inférieures à l'endroit où le panneau du montant avant entre en contact avec le tableau de bord. (FIGURE H)
2. Tournez le panneau du montant avant pour le dégager du tableau de bord, puis dégagez l'attache de coussin gonflable à partir de la partie supérieure du panneau du montant avant. (FIGURE I)

MISE EN GARDE! Faites preuve de précaution pendant l'exécution de cette étape pour éviter d'endommager le rideau gonflable. Si le rideau gonflable est endommagé, il faut le remplacer.

3. Examinez la toile protectrice blanche (tissu non tissé) du rideau gonflable. Si le tissu est endommagé, le rideau gonflable doit être remplacé.

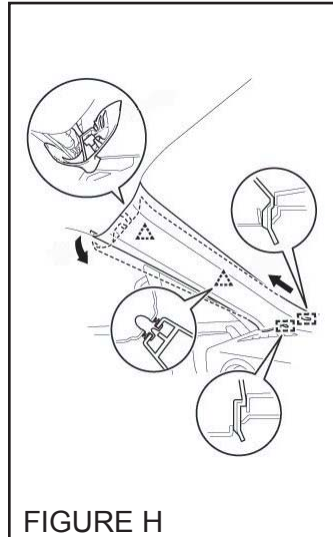


FIGURE H

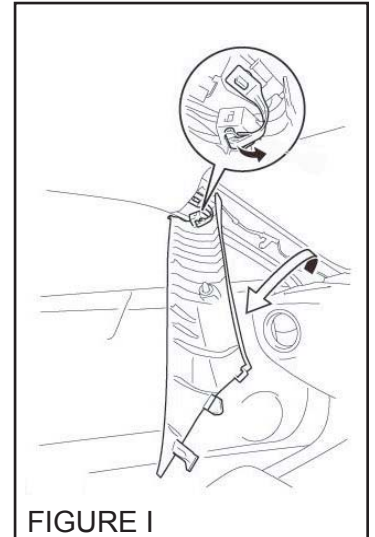


FIGURE I

MONTAGE ET ACHEMINEMENT DU CÂBLAGE DU PIED D'ANTENNE

1. Branchez le connecteur à 5 broches du faisceau de l'antenne au connecteur à 5 broches du pied d'antenne. (FIGURE J)
2. Nettoyez la surface vitrée près de la surface de montage de l'antenne avec de l'alcool. Retirez l'endos adhésif du pied d'antenne et appliquez l'antenne sur le pare-brise. La base du pied d'antenne (extrémité connexion) doit être alignée avec la section du pare-brise au point de jonction des pellicules noire et à pois, et à 25 mm (1 po) à gauche de la marque centrale sur le pare-brise. (FIGURE K)

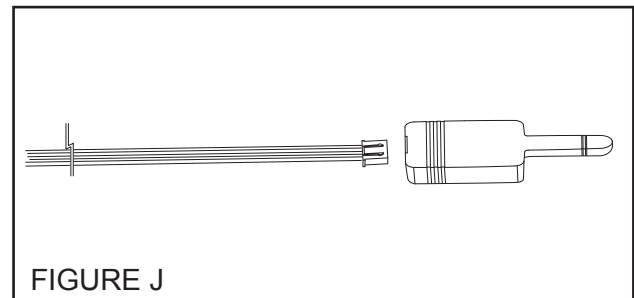


FIGURE J

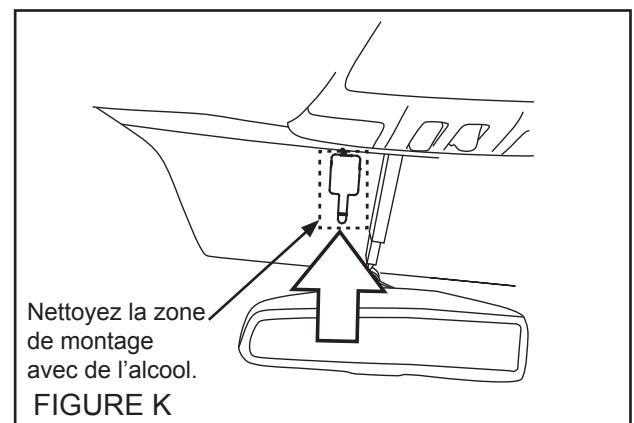


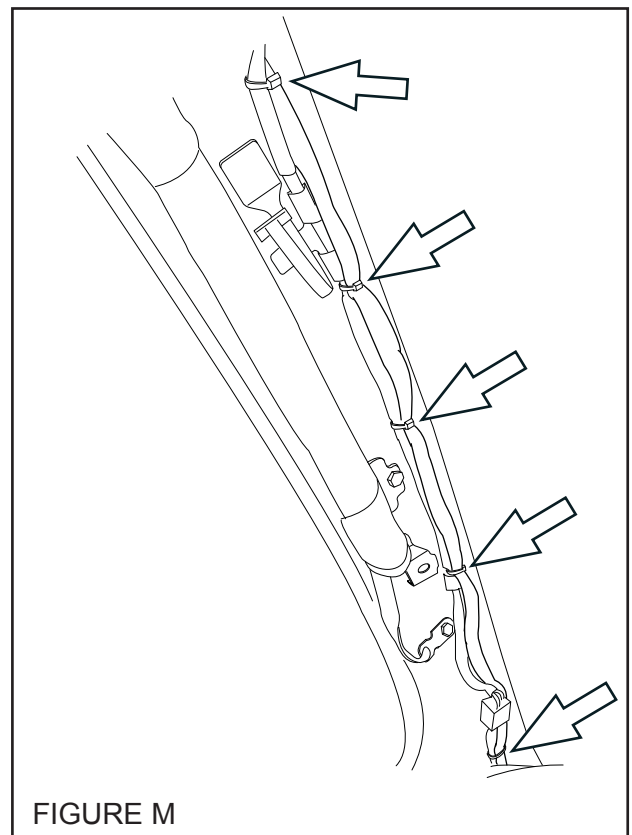
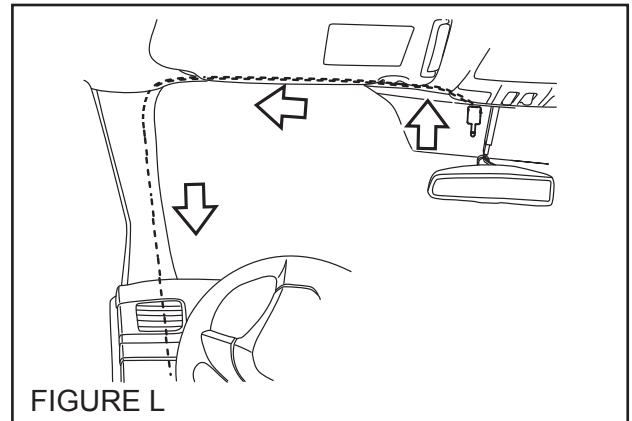
FIGURE K

5

INSTALLATION DE L'ANTENNE DE PARE-BRISE – VÉHICULES N'ÉTANT PAS ÉQUIPÉS D'UNE CAMÉRA EYESIGHT (suite)

3. Acheminez le faisceau de l'antenne le long du pavillon et faites-le descendre le long du montant avant. Glissez le câble sous le tableau de bord côté conducteur par l'ouverture la plus proche du pare-brise; laissez le faisceau pendre librement derrière la boîte à fusibles montée sur le tableau de bord. (FIGURE L) Vous brancherez plus tard le faisceau de l'antenne au module de démarrage à distance du moteur à la Section 8.
4. Branchez le faisceau de l'antenne au faisceau de câblage du véhicule à cinq (5) endroits le long du montant avant en utilisant les attaches de 20 cm fournies. (FIGURE M)
5. À l'aide des attaches de 20 cm fournies avec la trousse, attachez le faisceau de l'antenne au câblage situé à l'arrière de la boîte à fusibles du véhicule.
6. Réinstallez l'attache de coussin gonflable au panneau du montant avant, puis faites pivoter le panneau pour le remettre en place.
7. Réinstallez le panneau du montant avant.

PASSEZ À LA SECTION 7



IMPORTANT! CETTE SECTION S'APPLIQUE SEULEMENT AUX VÉHICULES ÉQUIPÉS D'UNE CAMÉRA EYESIGHT. POUR LES VÉHICULES QUI NE SONT PAS ÉQUIPÉS D'UNE CAMÉRA EYESIGHT, SAUTEZ CETTE SECTION ET RETOURNEZ À LA SECTION 5.

MONTAGE DE L'ANTENNE

1. Installez le pied d'antenne sur la partie supérieure gauche du pare-brise, près du pavillon et du panneau du montant avant du côté conducteur en orientant la saillie du pied d'antenne vers le côté conducteur. Nettoyez cette surface minutieusement à l'alcool. (FIGURE N)
2. À l'aide d'une règle, veillez à ce que la partie supérieure gauche du pied d'antenne se trouve en ligne droite à 20 mm (3/4 po) de la partie supérieure droite du panneau du montant avant et à 10 mm (3/8 po) plus bas à partir du pavillon jusqu'au coin supérieur droit du pied d'antenne. (FIGURE N)

REMARQUE : Le pied d'antenne doit être de niveau.

3. Retirez l'endos adhésif et placez le pied d'antenne sur le pare-brise, comme le décrit l'étape 2 ci-dessus. (FIGURE N)

DÉPOSE DU PANNEAU DU MONTANT AVANT

1. Retirez le panneau du montant avant du côté conducteur en dégageant les deux (2) attaches ainsi que les attaches inférieures à l'endroit où le panneau du montant avant entre en contact avec le tableau de bord. (FIGURE O)
2. Tournez le panneau du montant avant pour le dégager du tableau de bord, puis dégagez l'attache de coussin gonflable à partir de la partie supérieure du panneau du montant avant. (FIGURE P)

MISE EN GARDE! Faites preuve de précaution pendant l'exécution de cette étape pour éviter d'endommager le rideau gonflable. Si le rideau gonflable est endommagé, il faut le remplacer.

3. Examinez la toile protectrice blanche (tissu non tissé) du rideau gonflable. Si le tissu est endommagé, le rideau gonflable doit être remplacé.

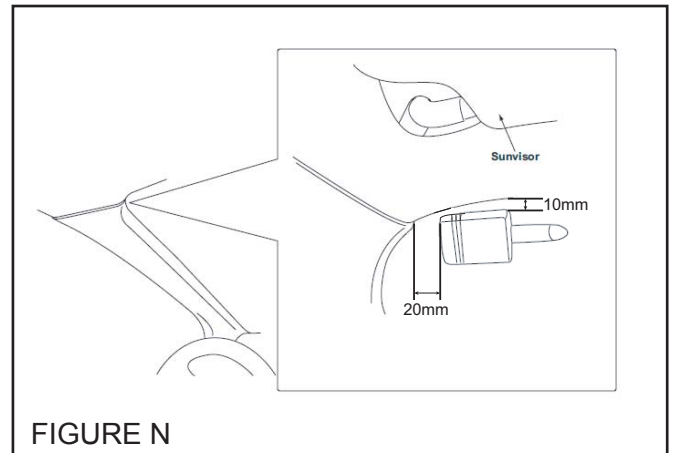


FIGURE N

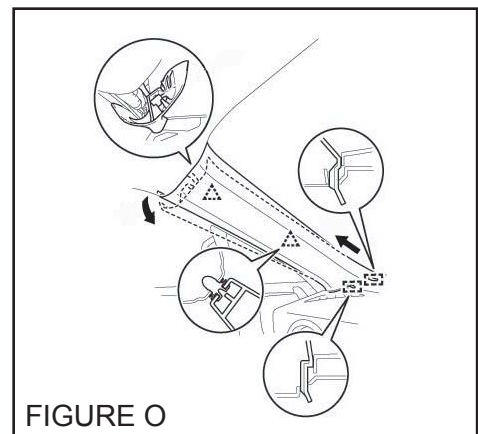


FIGURE O

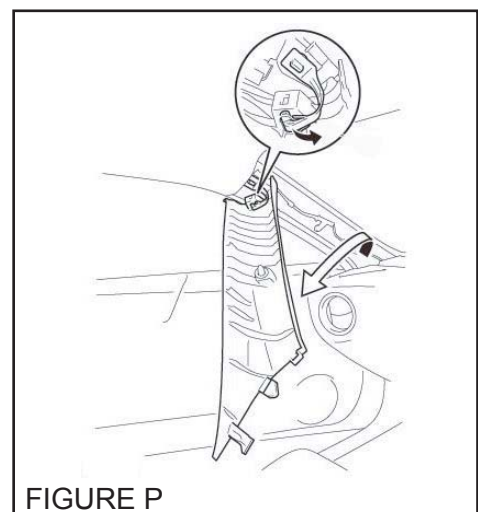
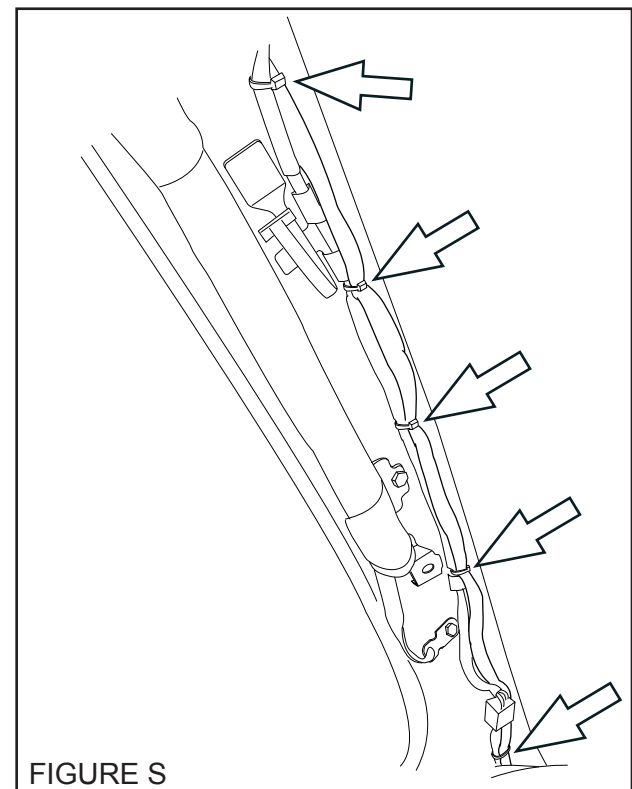
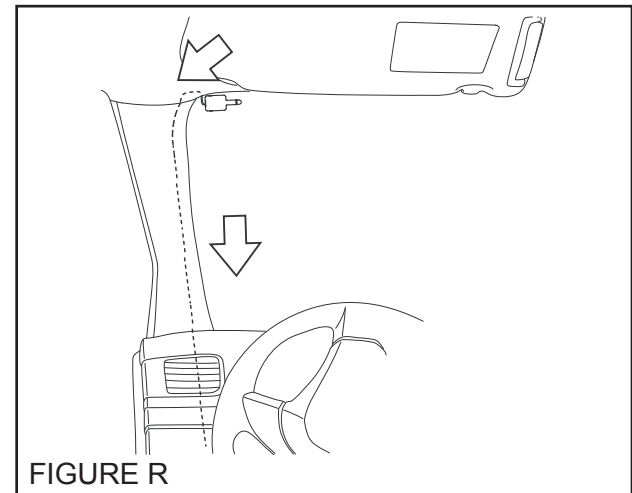
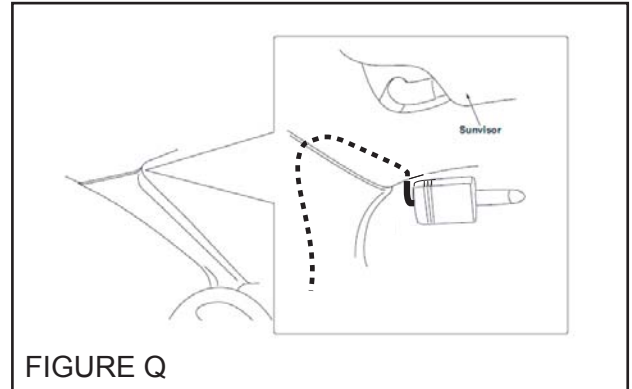


FIGURE P

6**INSTALLATION DE L'ANTENNE DE PARE-BRISÉ – VÉHICULES ÉQUIPÉS D'UNE CAMÉRA EYESIGHT (suite)****ACHEMINEMENT DU FAISCEAU DE CÂBLAGE**

1. Branchez le faisceau de l'antenne à 5 broches au pied d'antenne posé précédemment. (FIGURE Q)
2. Acheminez le faisceau de l'antenne directement vers le pavillon, puis le long de ce dernier, et faites-le descendre le long du montant avant. Glissez le câble sous le tableau de bord côté conducteur par l'ouverture la plus proche du pare-bris; laissez le faisceau pendre librement derrière la boîte à fusibles montée sur le tableau de bord. Vous brancherez plus tard le faisceau de l'antenne au module de démarrage à distance du moteur à la Section 8. (FIGURE R)
3. Branchez le faisceau de l'antenne au faisceau de câblage du véhicule à cinq (5) endroits le long du montant avant en utilisant les attaches de 20 cm fournies. (FIGURE S)
4. À l'aide des attaches de 20 cm fournies avec la trousse, attachez le faisceau de l'antenne au câblage situé à l'arrière de la boîte à fusibles du véhicule.
5. Réinstallez l'attache de coussin gonflable au panneau du montant avant, puis faites pivoter le panneau pour le remettre en place.
6. Réinstallez le panneau du montant avant.

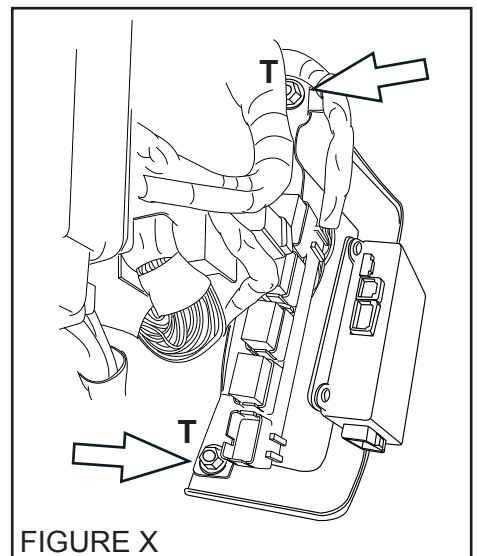
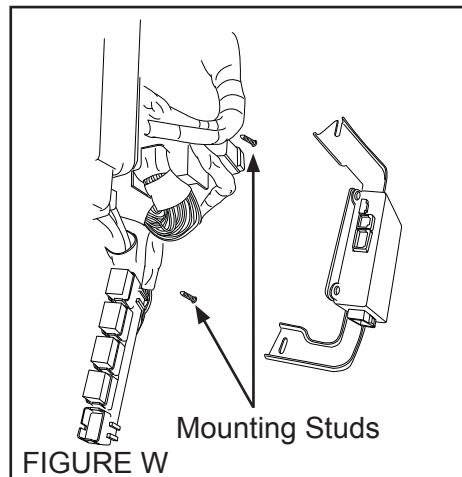
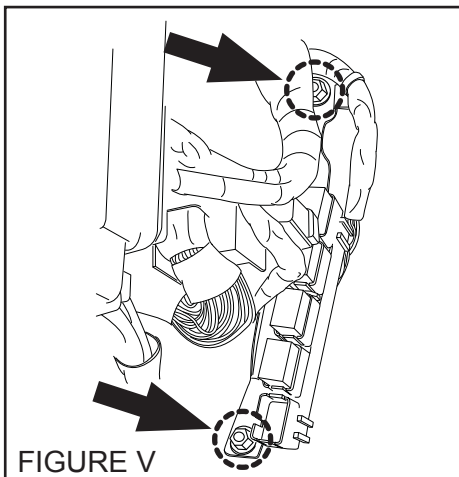
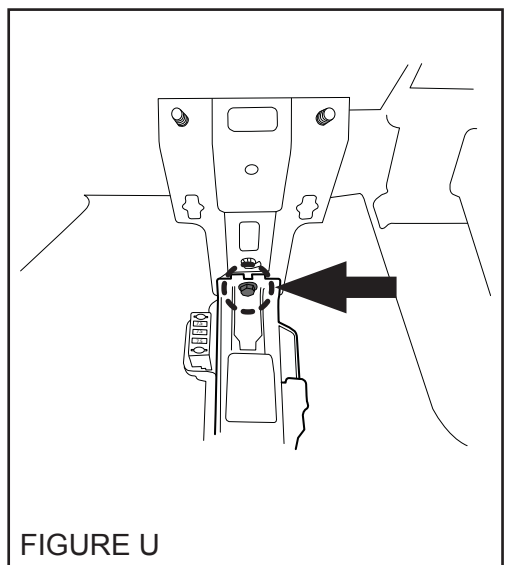
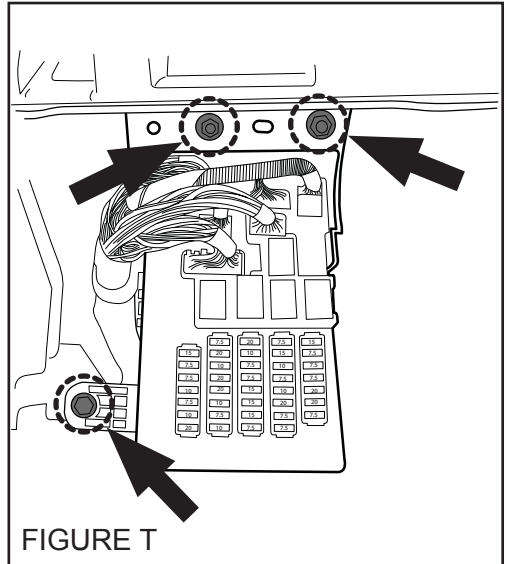


7 UCE/SUPPORT DU DÉMARREUR À DISTANCE

1. Localisez la boîte à fusibles du véhicule sous le tableau de bord côté conducteur. Retirez les deux (2) écrous de 10 mm et un (1) boulon de 10 mm fixant la boîte à fusibles et déplacez-la vers le bas et vers la droite pour accéder au capot de protection blanc du véhicule. (FIGURE T)
2. Retirez un (1) boulon de 10 mm fixant le couvercle de protection blanc du véhicule et le déplacer vers la gauche pour accéder au bloc relais auxiliaire du véhicule. (FIGURE U)
3. Repérez le support du bloc de relais auxiliaire monté sur le pare-feu du véhicule derrière la boîte à fusibles, à gauche de la pédale de frein. (FIGURE V)
4. Retirez les deux (2) écrous de montage de 10 mm. (FIGURE V)
5. Soulevez le support du bloc de relais auxiliaire pour le dégager des tiges de montage.
6. Placez le support de l'UCE du démarreur à distance sur les tiges de montage. (FIGURE W)
7. Remettez le support du bloc de relais auxiliaire en place sur les tiges de montage par-dessus le support de l'UCE du démarreur à distance du moteur. (FIGURE X)

REMARQUE : Assurez-vous que le support de l'UCE du démarreur à distance se trouve sous le support du bloc de relais et sur le dessus du matériau isolant de la paroi du tableau de bord.

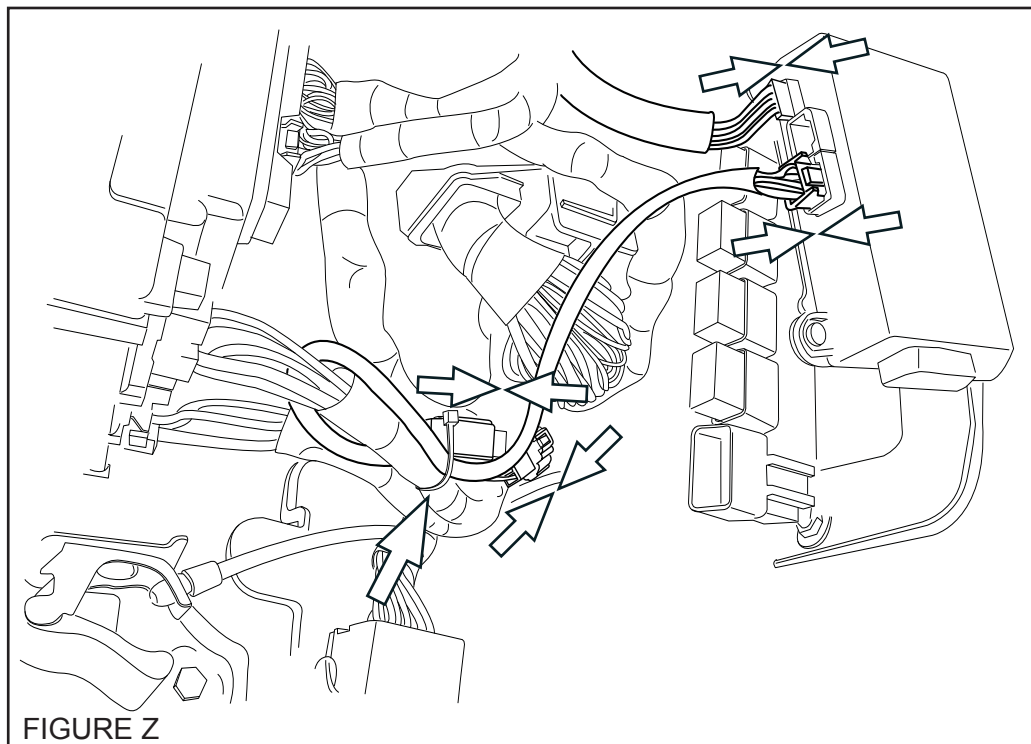
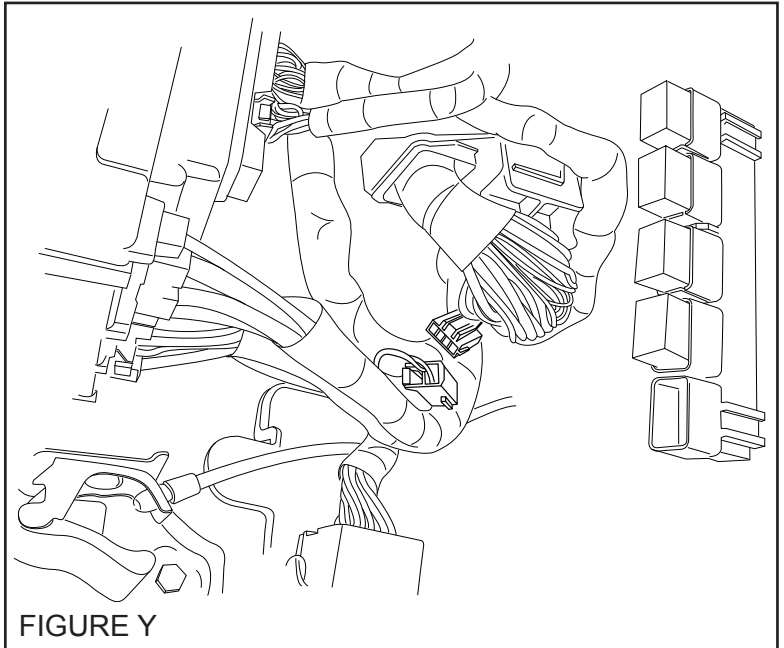
8. Assurez-vous que le support de l'UCE du démarreur à distance et le support du bloc de relais reposent fermement l'un contre l'autre, puis serrez l'écrou de montage inférieur de 10 mm suivi de l'écrou de montage supérieur de 10 mm à 10,8 Nm +/- 2 Nm (1,10 kgf-m +/- 0,2 kgf-m, 8 pi-lb +/- 1,5 pi-lb).



8

CONNEXIONS DU FAISCEAU CAVALIER PRÉMONTÉ

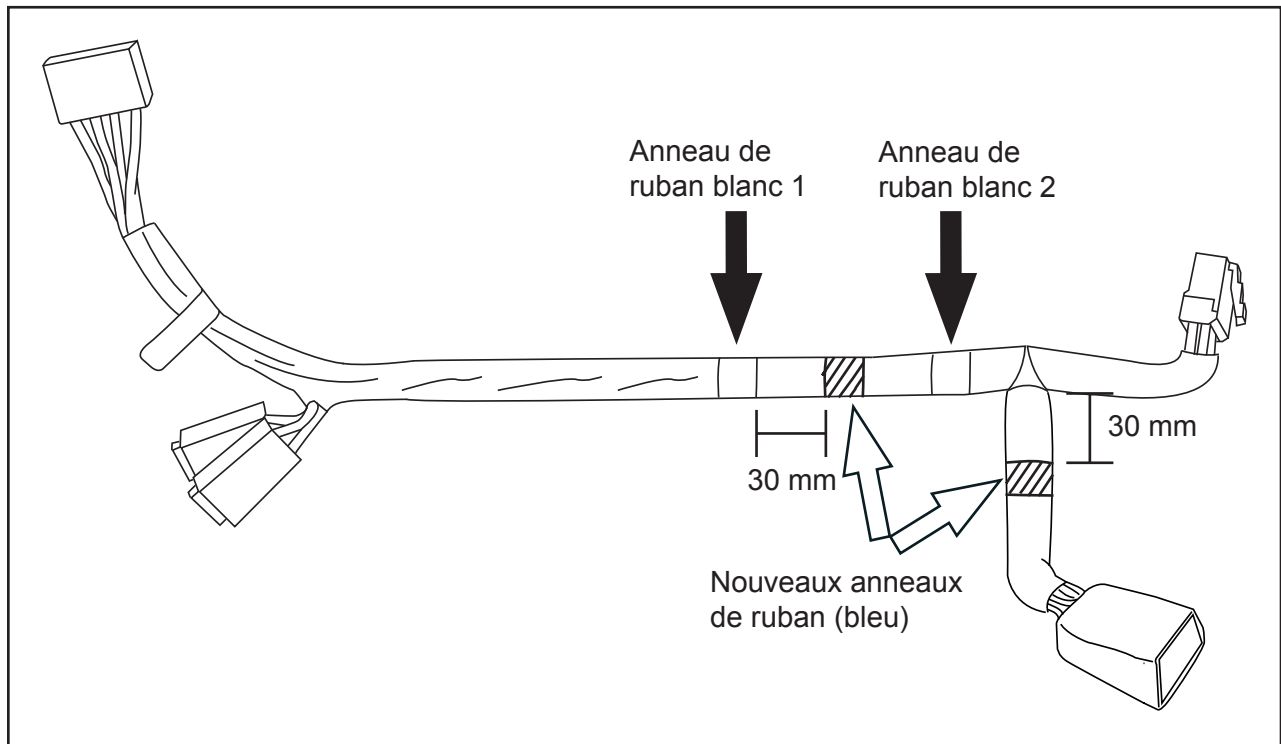
1. Repérez les connecteurs à 4 et à 2 broches prémontés derrière la boîte à fusibles, à proximité du panneau de seuil. Ces connecteurs sont attachés au câblage du véhicule à l'aide de ruban déchirable. (FIGURE Y)
2. Une fois que vous avez trouvé le connecteur à 2 broches prémonté, débranchez et jetez son cavalier. (Il est destiné au circuit de coupure du lève-glace.)
3. Branchez les connecteurs à 4 et 2 broches du faisceau cavalier prémonté du démarreur à distance dans les connecteurs prémontés correspondants. (FIGURE Z)
4. Branchez le faisceau à 12 broches prémonté dans le port blanc à 12 broches de l'UCE du démarreur à distance (installé au cours de la section précédente). (FIGURE Z)
5. Branchez le faisceau d'antenne à 5 broches dans le port noir à 5 broches de l'UCE du démarreur à distance (installé au cours de la section précédente). (FIGURE Z)
6. À l'aide d'une (1) attache de 20 cm fournie, regroupez tout faisceau prémonté excédentaire et attachez le tout au câblage existant dans le véhicule. (FIGURE Z)



CONNECTEURS À 8 BROCHES DU COMMUTATEUR D'ALLUMAGE – EMBLEMES DE FIXATION RÉVISÉS

Si le nécessaire RES comprend le faisceau d'allumage de la révision initiale (anneaux de ruban blanc), une modification mineure est nécessaire pour déterminer les nouveaux emplacements de fixation des attaches avant d'effectuer l'acheminement.

1. Mesurez 30 mm à partir du rebord de l'anneau de ruban blanc 1 et marquez le faisceau en y enroulant un nouveau morceau de ruban isolant, comme illustré ci-dessous.
2. Mesurez 30 mm à partir du nœud du connecteur mâle du faisceau d'allumage et marquez le faisceau en y enroulant un nouveau morceau de ruban électrique, comme illustré ci-dessous.
3. Les deux (2) nouveaux emplacements de fixation, marqués de ruban isolant, seront utilisés au cours de la Section 9 (figure BB). Les anneaux de ruban blanc ne sont plus utilisés.



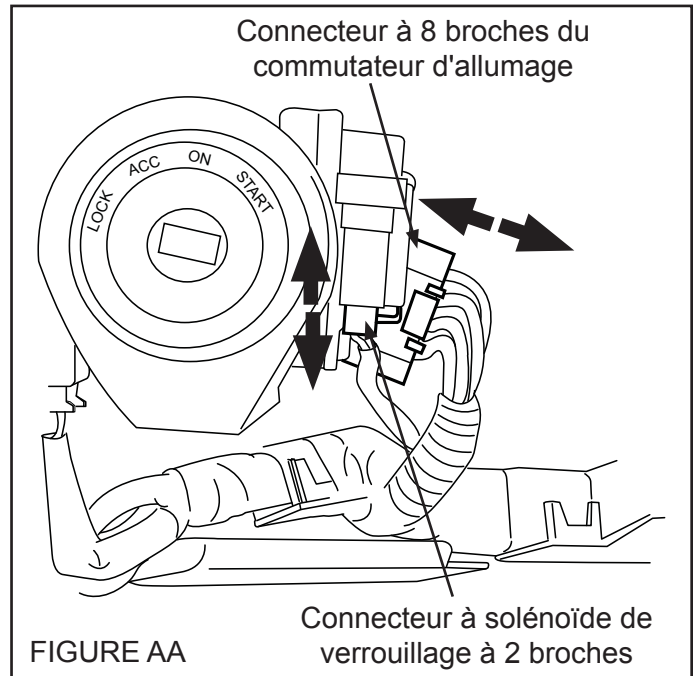
REMARQUE : Si le nécessaire RES comprend le nouveau faisceau d'allumage de la révision A (anneaux de ruban bleu), aucune modification n'est nécessaire. Passez à l'installation du faisceau d'allumage à la page 11.

9

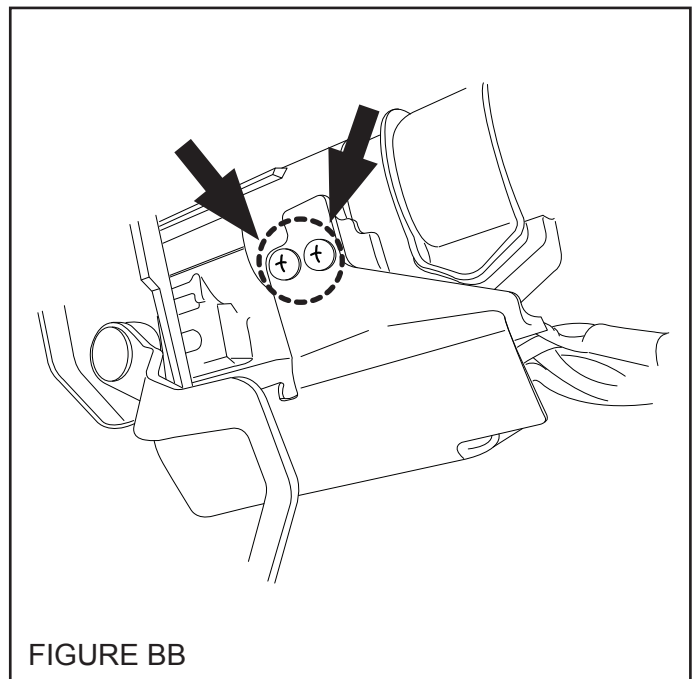
CONNECTEURS DU FAISCEAU D'ALLUMAGE (suite)

CONNECTEURS À 8 BROCHES DU COMMUTATEUR D'ALLUMAGE (suite)

1. Réglez la colonne de direction à la position la plus reculée (vers le conducteur) et la plus basse.
2. Repérez le connecteur du commutateur d'allumage à 8 broches et le connecteur à solénoïde de verrouillage à 2 broches du côté droit de la colonne de direction. Débranchez les deux connecteurs puis tirez délicatement sur les connecteurs vers le bas pour les dégager de la colonne de direction. (FIGURE AA)



3. À l'aide d'un tournevis Phillips, retirez les deux (2) vis maintenant en place le grand support de métal du côté gauche de la colonne de direction. (FIGURE BB)



CONNECTEURS À 8 BROCHES DU COMMUTATEUR D'ALLUMAGE (suite)

4. Nettoyez le grand support de métal minutieusement à l'alcool. Assurez-vous que le support est propre et sec. Au moyen des quatre (4) bouts de ruban de flocage fournis, enveloppez les bords du grand support de métal, comme sur l'illustration. Appuyez fermement sur les bouts de ruban. (FIGURE CC)

REMARQUE : Assurez-vous que les bouts de ruban de flocage sont correctement placés pour empêcher le faisceau de câblage du démarreur à distance du moteur de s'user par frottement contre le grand support de métal.

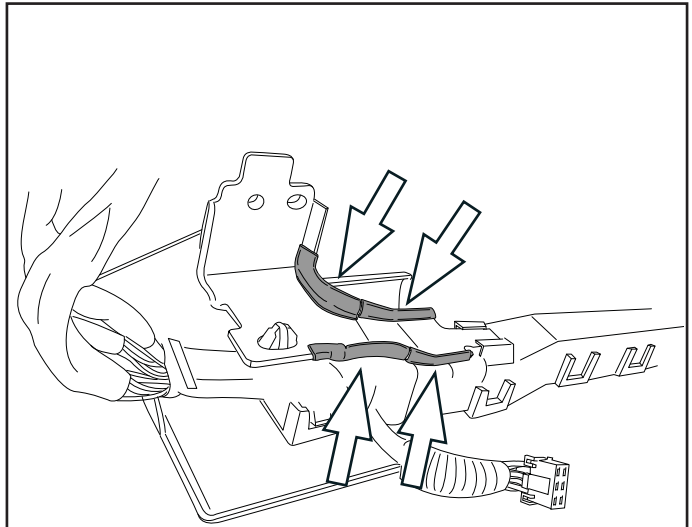


FIGURE CC

5. À l'aide de deux (2) des attaches de 39 cm fournies, attachez le faisceau d'allumage du démarreur à distance du moteur au faisceau du véhicule en l'acheminant au centre du grand support. La première attache doit fixer le faisceau devant le support au niveau du nouvel anneau de ruban bleu. La deuxième attache doit fixer le faisceau derrière le support au niveau du nouvel anneau de ruban bleu. (FIGURE DD)

MISE EN GARDE : N'ATTACHEZ AUCUN FAISCEAU DE DÉMARRAGE À DISTANCE DU MOTEUR À UN FAISCEAU JAUNE DU VÉHICULE OU À SON CONNECTEUR (SYSTÈME DE COUSSINS GONFLABLES).

6. À l'aide d'un tournevis Phillips, réinstallez les deux (2) vis maintenant en place le grand support de métal au côté gauche de la colonne de direction. Serrez les vis à 4 Nm +/- 1 Nm (0,41 kgf-m +/- 0,1 kgf-m, 2,95 pi-lb +/- 0,74 pi-lb). (FIGURE BB)

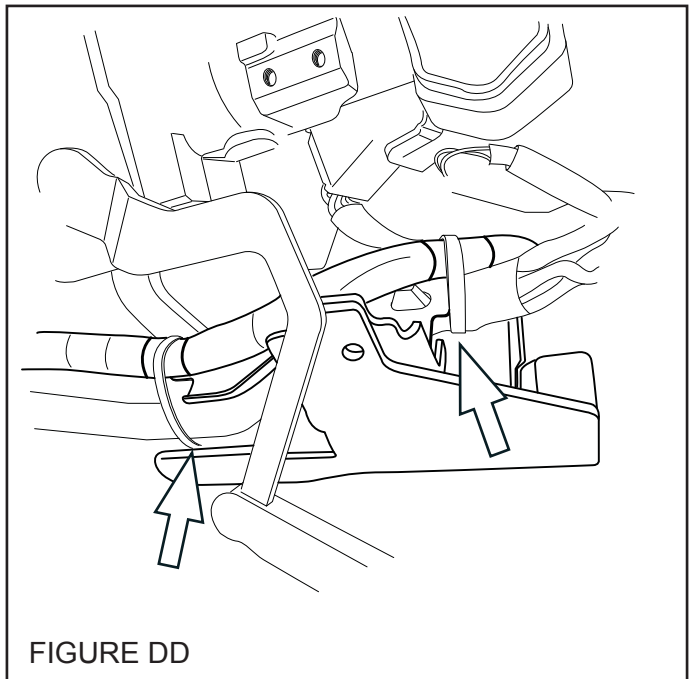


FIGURE DD

REMARQUE : Veillez à ne pas trop serrer les vis pour ne pas les endommager.

9 CONNECTEURS DU FAISCEAU D'ALLUMAGE (suite)

CONNECTEURS À 8 BROCHES DU COMMUTATEUR D'ALLUMAGE (suite)

7. Branchez le connecteur femelle à 8 broches du module de démarrage à distance au connecteur du commutateur d'allumage. (FIGURE EE)

8. Rebranchez le connecteur à solénoïde de verrouillage à 2 broches en vous assurant que le faisceau est acheminé à l'extérieur faisceau du démarreur à distance du moteur (du côté passager). (FIGURE FF)

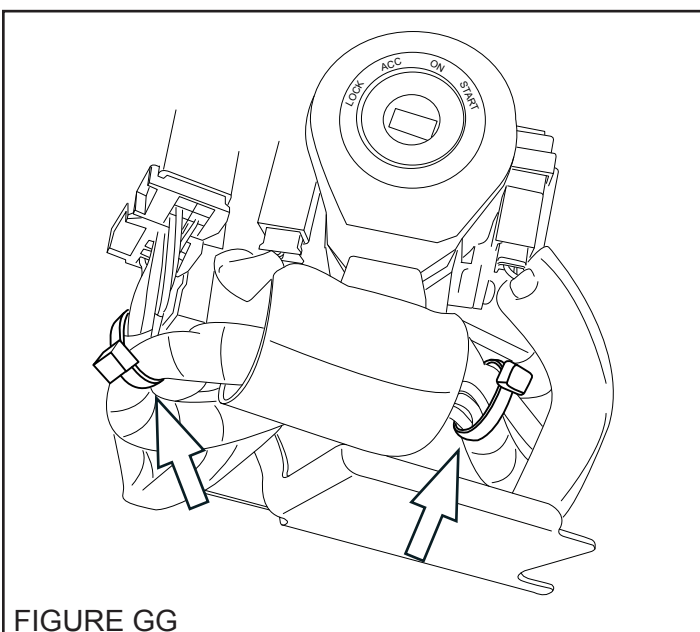
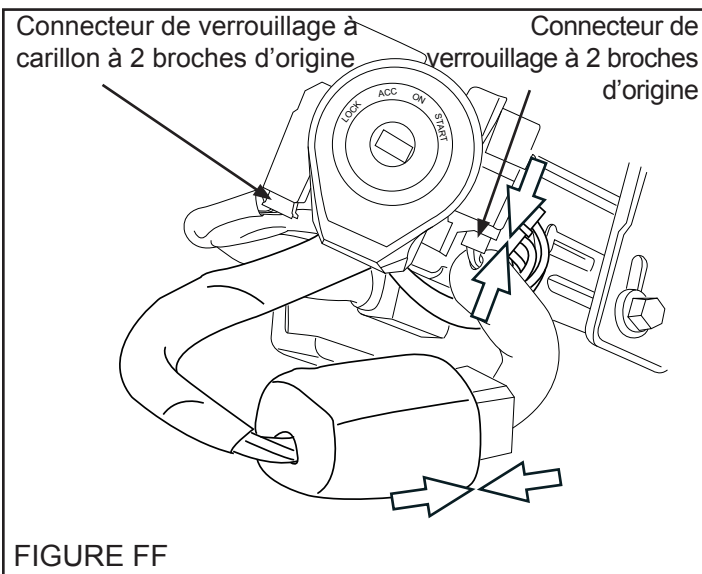
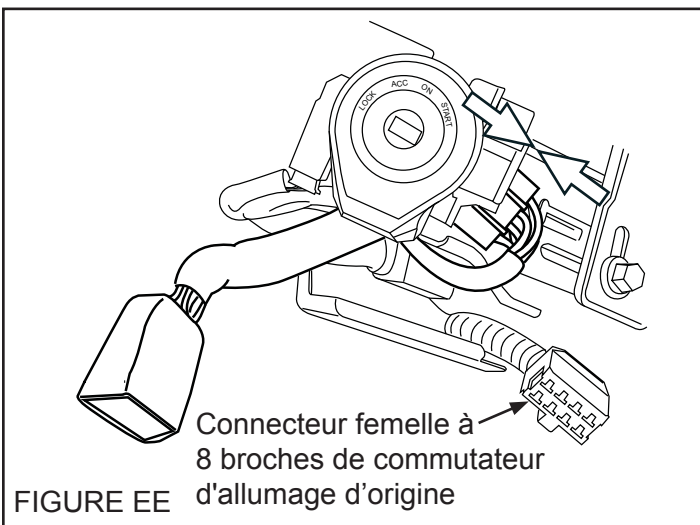
Assurez-vous également que le connecteur de verrouillage à carillon à 2 broches à la gauche du commutateur d'allumage du véhicule n'est pas déconnecté et qu'il est complètement engagé. (FIGURE FF)

MISE EN GARDE : SI AUCUN DES CONNECTEURS N'EST ENTIÈREMENT ENGAGÉ, LA CLÉ DE CONTACT POURRAIT ÊTRE RETIRÉE SI LE LEVIER DE LA BOÎTE DE VITESSES N'EST PAS À LA POSITION DE STATIONNEMENT.

9. Rabattez délicatement le connecteur mâle à 8 broches enveloppé de ruban mousse du faisceau du démarreur à distance du moteur. Branchez le connecteur femelle encore libre du commutateur d'allumage au connecteur mâle à 8 broches du faisceau du démarreur à distance du moteur. (FIGURE FF)

10. Fixez le faisceau d'allumage du démarreur à distance du moteur au faisceau de câblage du véhicule à l'aide de deux (2) attaches de 39 cm fournies. (FIGURE GG)

MISE EN GARDE : N'ATTACHEZ AUCUN FAISCEAU DE DÉMARRAGE À DISTANCE DU MOTEUR À UN FAISCEAU JAUNE DU VÉHICULE OU À SON CONNECTEUR (SYSTÈME DE COUSSINS GONFLABLES).

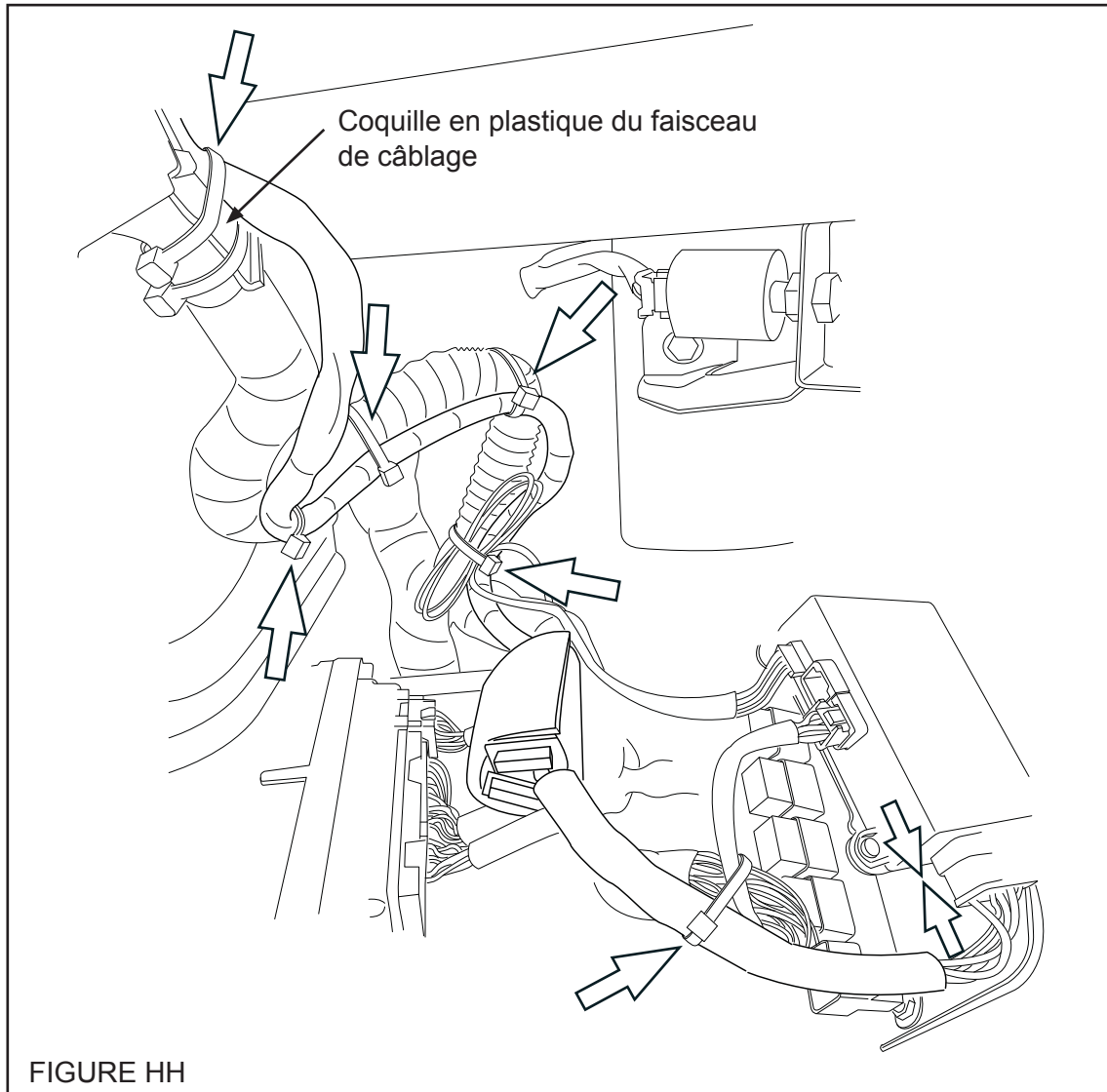


9 CONNECTEURS DU FAISCEAU D'ALLUMAGE (suite)

CONNECTEURS À 8 BROCHES DU COMMUTATEUR D'ALLUMAGE (suite)

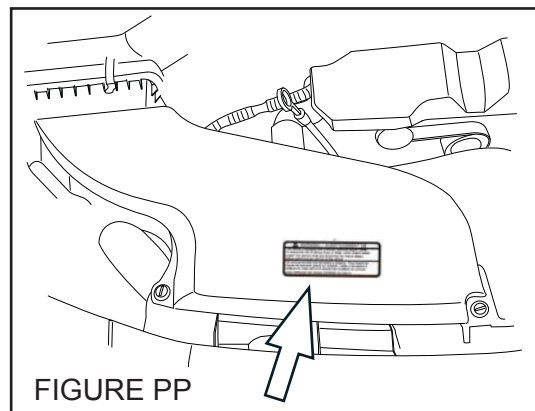
11. Acheminez le faisceau d'allumage du démarreur à distance du moteur vers le bas sur la colonne de direction le long de la partie supérieure de la coquille en plastique du faisceau de câblage. Fixez le faisceau du démarreur à distance à la coquille en plastique du faisceau de câblage du véhicule au moyen d'une (1) attache de 39 cm fournie. (FIGURE HH)
12. Continuez d'acheminer le faisceau d'allumage du démarreur à distance le long du faisceau d'allumage du véhicule jusqu'au côté gauche du tableau de bord en le fixant à l'aide de trois (3) attaches de 39 cm fournies. (FIGURE HH)
13. Laissez le faisceau d'allumage du démarreur à distance pendre derrière la boîte à fusibles, puis branchez-le dans le connecteur inférieur (gros connecteur) de l'UCE du démarreur à distance (installé précédemment à la Section 7). (FIGURE HH)
14. Attachez le faisceau d'allumage du démarreur à distance et tout excédent du faisceau de l'antenne au câblage du véhicule en utilisant deux (2) des attaches de 39 cm fournies. (FIGURE HH)

MISE EN GARDE : N'ATTACHEZ AUCUN FAISCEAU DE DÉMARRAGE À DISTANCE DU MOTEUR À UN FAISCEAU JAUNE DU VÉHICULE OU À SON CONNECTEUR (SYSTÈME DE COUSSINS GONFLABLES).



10 ÉTIQUETTE DE MISE EN GARDE DU COMPARTIMENT MOTEUR

1. En utilisant de l'alcool, nettoyez la partie supérieure de la chambre d'admission d'air à proximité du support de faisceau de radiateur.
2. Retirez l'endos adhésif de l'étiquette de mise en garde du compartiment moteur et collez cette dernière sur le haut de la chambre d'admission d'air, comme sur l'illustration. (FIGURE PP)



11 REMONTAGE DU PANNEAU

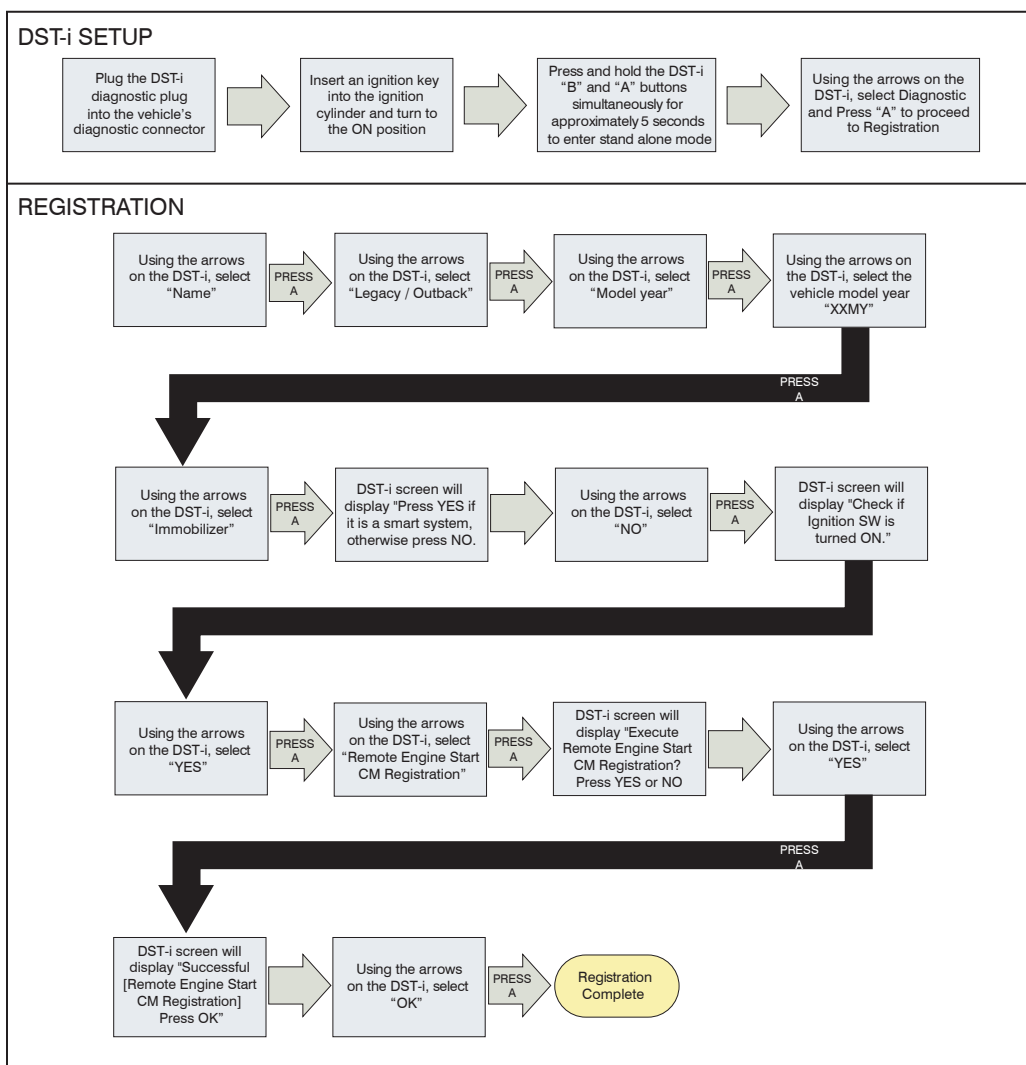
1. Réinstallez le couvercle de protection blanc et fixez avec un (1) boulon de 10 mm.
2. Réinstallez la boîte à fusibles et serrez les deux (2) écrous de 10 mm et un (1) boulon de 10 mm à 7,5 Nm +/- 2 Nm (0,76 Kgf-m +/- 0,2 Kgf-m, 5,5 ft-lbs +/- 1,5 ft-lbs).
3. Installez la coquille de la colonne de direction et fixez-la à l'aide de deux (2) vis cruciformes.
4. Remettez en place le protège-genoux en métal, puis serrez les deux (2) boulons de 10 mm à 7,5 Nm +/- 2 Nm (0,76 kgf-m +/- 0,2 kgf-m, 5,5 pi-lb +/- 1,0 pi-lb).
5. Rebranchez tous les connecteurs débranchés au démontage et installez le panneau inférieur du tableau de bord côté conducteur en engageant les quatre (4) attaches à pression.
6. Réinstallez le panneau de garniture sous le tableau de bord en engageant les trois (3) attaches à pression.
7. Remettez la vis cruciforme qui sert à fixer le panneau inférieur côté conducteur sur le côté gauche du tableau de bord.
8. Installez le panneau du côté gauche du tableau de bord en engageant les cinq (5) attaches à pression.
9. À la fin de l'installation, glissez la Carte de référence rapide dans le dossier du propriétaire.

12 DÉMARRAGE DU SYSTÈME

1. Une fois toutes les connexions terminées, rebranchez la borne négative de la batterie du véhicule. À l'aide de la clé à rochet et d'une douille de 12 mm, serrez l'écrou de 12 mm à 7,5 +/- 2 Nm (0,76 +/- 0,2 kgf-m, 5,5 +/- 1,5 lb-pi).
2. Faites démarrer le véhicule au moins une (1) fois avec la clé de contact avant d'essayer le système de démarrage à distance. Cette précaution est nécessaire pour permettre aux systèmes électroniques du véhicule de se resynchroniser.
3. Démarrez le moteur à l'aide de la clé de contact et vérifiez si le témoin de coussin gonflable du tableau de bord s'éteint. Si le témoin de coussin gonflable reste allumé, reportez-vous à l'information de service après-vente du véhicule pour avoir des précisions sur le dépannage.
4. Démarrez le moteur à l'aide de la clé de contact, appliquez les freins et déplacez la transmission de la position de stationnement. Coupez le moteur et assurez-vous que la clé ne peut pas être retirée du contact. Si la clé peut être retirée, vérifiez si les connecteurs à solénoïde de verrouillage et de carillon de clé sont bien branchés et si le fusible de mode livraison (test) est retiré, puis essayez de nouveau.
5. Pour restaurer les fonctions des glaces électriques, consultez la procédure de réinitialisation des glaces à commande électrique dans le manuel du propriétaire du véhicule.

13 ENREGISTREMENT DU SYSTÈME

REMARQUE : Une fois que le commutateur d'allumage est mis en position de marche (ON), il faut 2 minutes pour que le système sorte du mode d'enregistrement.



- 1. DÉMARRAGE À DISTANCE – Assurez-vous que la clé est retirée du contact et que le capot ainsi que toutes les portes et le coffre sont fermés. Appuyez sur le bouton START deux (2) fois en trois (3) secondes. Les feux de stationnement du véhicule doivent clignoter et l'avertisseur retentir une (1) fois, puis le véhicule doit démarrer. Lorsque le moteur tourne, le témoin de la télécommande clignote deux (2) fois et les feux de stationnement s'allument, indiquant que le moteur tourne. Le témoin de la télécommande clignote une (1) fois toutes les cinq (5) secondes, indiquant que le moteur tourne toujours.
- 2. ARRÊT AVEC PORTE OUVERTE – Pendant que le moteur est en marche après un démarrage à distance, attendez au moins cinq (5) secondes, puis vérifiez la bonne marche de toutes les fonctions (verrouillage, déverrouillage, coffre, sauf le bouton d'alarme) sur la télécommande D'ORIGINE. Après avoir confirmé le fonctionnement de la télécommande D'ORIGINE, appuyez sur le bouton de DÉVERROUILLAGE de cette télécommande et ouvrez n'importe laquelle des portes. Le système de démarrage à distance doit s'arrêter et le témoin de la télécommande doit clignoter trois (3) fois pour indiquer l'arrêt de ce système.
- 3. ACTIVATION AVEC PORTE OUVERTE – Assurez-vous que la clé est retirée du contact et que le capot et le coffre sont fermés. Ouvrez la porte du conducteur et appuyez sur le bouton START deux (2) fois en trois (3) secondes. Les feux de stationnement du véhicule doivent clignoter et l'avertisseur retentir six (6) fois. Le moteur ne doit pas démarrer si l'une des portes ou le coffre est ouvert.
- 4. SÉCURITÉ DE LA PÉDALE DE FREIN – Prenez place derrière le volant, toutes les portes fermées (y compris le capot et le coffre), activez le démarrage à distance et appuyez sur la pédale de frein. Le moteur doit s'arrêter.
- 5. DÉTECTION DE LA CLÉ DANS LE CONTACT – Prenez place derrière le volant, toutes les portes fermées (y compris le capot et le coffre) et introduisez la clé dans le contact, en la laissant à la position OFF. Activez le démarrage à distance. Les feux de stationnement du véhicule doivent clignoter et l'avertisseur retentir deux (2) fois. Le moteur ne doit pas démarrer, puisque la clé est dans le contact.
- 6. CONTACTEUR DE SÉCURITÉ DU CAPOT – Ouvrez le capot et activez le démarrage à distance. Les feux de stationnement du véhicule doivent clignoter et l'avertisseur retentir deux (2) fois. Le moteur ne doit pas démarrer, puisque le contacteur de sécurité du capot est activé.
- 7. CHAUFFAGE ET CLIMATISATION – Introduisez la clé de contact et tournez-la à la position ON. Mettez en marche le chauffage ou la climatisation. Tournez ensuite la clé à la position OFF et retirez-la. Activez le démarreur à distance et vérifiez si le chauffage ou la climatisation se met en marche au réglage choisi avant la coupure du contact, s'il s'agit d'un système CVC manuel, ou au réglage maximum automatique, s'il s'agit d'un système CVC électronique.
- 8. DURÉE MAXIMALE DE FONCTIONNEMENT DE 15 MINUTES – Activez le système de démarrage à distance et laissez le moteur tourner pendant 15 minutes. Le démarreur à distance devrait arrêter le moteur après 15 minutes (+/- 10 secondes).
- 9. VÉRIFICATION DU FONCTIONNEMENT DE LA TÉLÉCOMMANDE – Activez le système de démarrage à distance tour à tour avec les deux télécommandes à un bouton fournies.
- 10. Démarrez le moteur à l'aide de la clé de contact, appliquez les freins et déplacez la transmission de la position de stationnement. Coupez le moteur et assurez-vous que la clé ne peut pas être retirée du contact. Si la clé peut être retirée, vérifiez si les connecteurs à solénoïde de verrouillage et de carillon de clé sont bien branchés et si le fusible de mode livraison (test) est retiré, puis essayez de nouveau.

L'ESSAI DE FONCTIONNEMENT EST MAINTENANT TERMINÉ.

NUMÉRO DE PIÈCE H001SAL003	VERSION 00	DATE 23 Mar 2018	SUBARU OF AMERICA	17 DE 17
-------------------------------	---------------	---------------------	-------------------	----------