

# *Product Guide*





# Table of Contents

	Page
<b>Minimum Angle Chart</b>	<b>1</b>
<b>Inline Drains</b>	<b>2</b>
<b>Drain Basins</b>	<b>8</b>
<b>Curb Inlet Structures</b>	<b>14</b>
<b>Road &amp; Highway Structures</b>	<b>17</b>
<b>Riser Section</b>	<b>20</b>
<b>Drop-In Grates</b>	<b>21</b>
<b>Grate Options &amp; Information</b>	<b>23</b>
<b>Accessories</b>	<b>25</b>
<b>NPDES Related Products</b>	<b>26</b>
<b>How to Build a Part Number</b>	<b>32</b>
<b>Cost Comparison</b>	<b>35</b>
<b>Sales &amp; Service Locations</b>	<b>37</b>
<b>Terms &amp; Conditions</b>	<b>38</b>



# Quick Reference

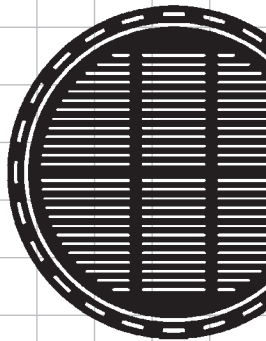
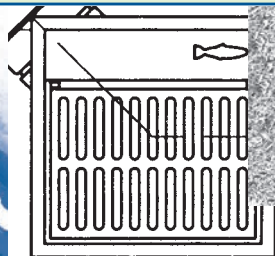
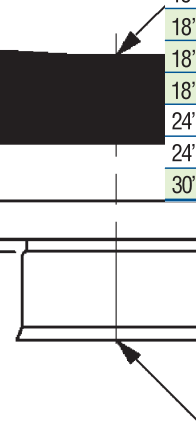
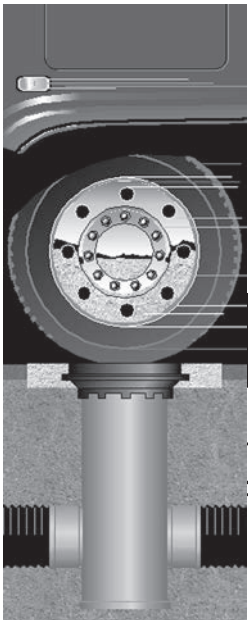
## Minimum Angle Chart

### Minimum Angle Between Adapters

This chart is not for Snout or Weir Structures.

Contact Nyloplast for Snout and Weir Structure minimum angles.

Adapter Size	8" Basin Min Angle	10" Basin Min Angle	12" Basin Min Angle	15" Basin Min Angle	18" Basin Min Angle	24" Basin Min Angle	30" Basin Min Angle
4"-04"	70°	55°	50°	42°	35°	25°	24°
4"-06"	75°	70°	55°	47°	40°	29°	25°
4"-08"	100°	80°	65°	55°	45°	35°	28°
4"-10"	•	95°	75°	62°	52°	40°	32°
4"-12"	•	•	85°	70°	55°	45°	40°
4"-15"	•	•	•	80°	65°	51°	44°
4"-18"	•	•	•	•	76°	60°	50°
4"-24"	•	•	•	•	•	75°	62°
4"-30"	•	•	•	•	•	•	75°
6"-06"	90°	75°	65°	55°	44°	33°	30°
6"-08"	115°	85°	75°	63°	51°	39°	34°
6"-10"	•	105°	85°	70°	55°	43°	38°
6"-12"	•	•	95°	75°	63°	48°	45°
6"-15"	•	•	•	86°	72°	56°	48°
6"-18"	•	•	•	•	84°	63°	55°
6"-24"	•	•	•	•	•	77°	66°
6"-30"	•	•	•	•	•	•	75°
8"-08"	165°	90°	80°	70°	55°	44°	35°
8"-10"	•	115°	88°	76°	63°	48°	45°
8"-12"	•	•	102°	83°	70°	52°	48°
8"-15"	•	•	•	95°	78°	60°	55°
8"-18"	•	•	•	•	90°	70°	60°
8"-24"	•	•	•	•	•	82°	70°
8"-30"	•	•	•	•	•	•	80°
10"-10"	•	160°	90°	82°	70°	53°	48°
10"-12"	•	•	115°	85°	75°	58°	50°
10"-15"	•	•	•	103°	85°	65°	58°
10"-18"	•	•	•	•	97°	72°	65°
10"-24"	•	•	•	•	•	88°	75°
10"-30"	•	•	•	•	•	•	85°
12"-12"	•	•	150°	90°	82°	64°	56°
12"-15"	•	•	•	112°	87°	69°	60°
12"-18"	•	•	•	•	102°	78°	68°
12"-24"	•	•	•	•	•	92°	80°
12"-30"	•	•	•	•	•	•	90°
15"-15"	•	•	•	150°	90°	77°	69°
15"-18"	•	•	•	•	110°	84°	75°
15"-24"	•	•	•	•	•	98°	85°
15"-30"	•	•	•	•	•	•	96°
18"-18"	•	•	•	•	150°	90°	78°
18"-24"	•	•	•	•	•	108°	88°
18"-30"	•	•	•	•	•	•	100°
24"-24"	•	•	•	•	•	150°	90°
24"-30"	•	•	•	•	•	•	115°
30"-30"	•	•	•	•	•	•	150°





**HOW DO YOU BUILD A PART NUMBER?  
See page (32) for Inline Drains**

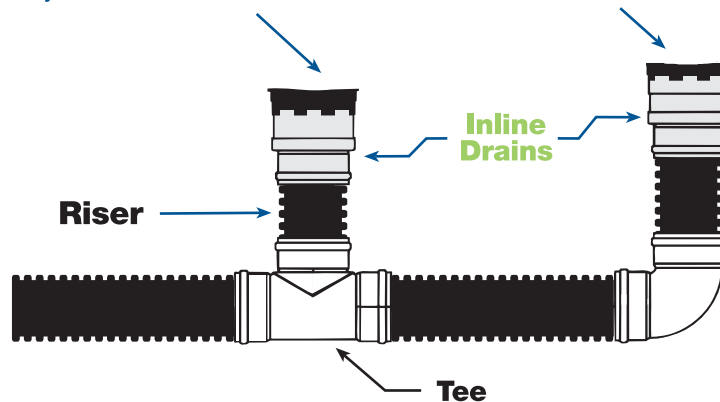
Part#/Prefix	Product Description	Available Outlets
2708AG__X	8" Inline Drain	4" thru 8"
2710AG__X	10" Inline Drain	4" thru 10"
2712AG__X	12" Inline Drain	4" thru 12"
2715AG__X	15" Inline Drain	4" thru 15"
2718AG__X	18" Inline Drain	4" thru 18"
2724AG__X	24" Inline Drain	4" thru 24"
2730AG__X	30" Inline Drain	4" thru 30"

Includes any grate option except bronze and domed. Bronze grates are available in 8", 10", 12", or 15" for Drain Basins and Inline Drains only.

## When are Inline Drains Used?

To enter a new or existing line by means of a riser and a tee.

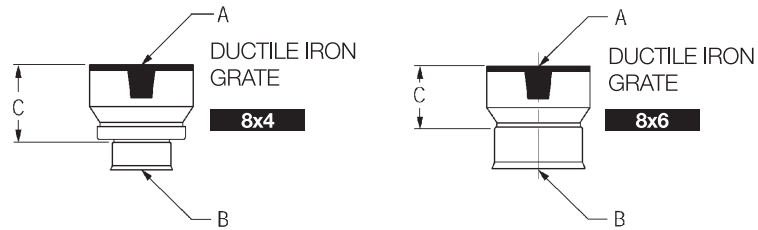
At the beginning of a drain line.



# 8" & 10" Inline Drains

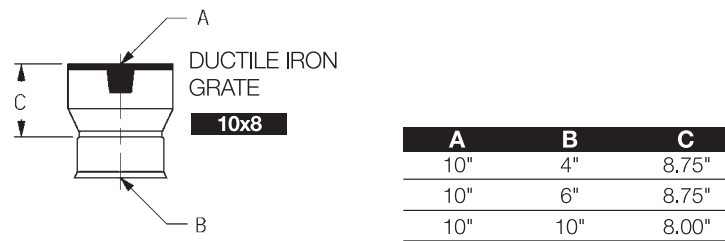
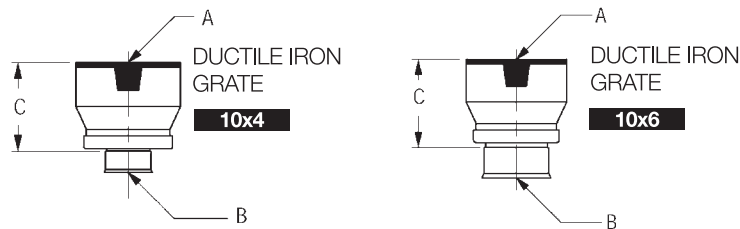
Part#/Prefix	Product Description	Available Outlets
2708AG__X	8" Inline Drain	4" thru 8"
2710AG__X	10" Inline Drain	4" thru 10"

## 8" Inline Drains



A	B	C
8"	4"	7.50"
8"	6"	5.25"
8"	8"	6.50"

## 10" Inline Drains



## 8" & 10" Grate Options

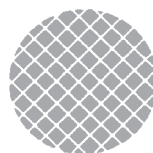
Light Duty Bronze Grate Available (see pg. 24)



(see pg. 23 for detailed explanation)



Standard



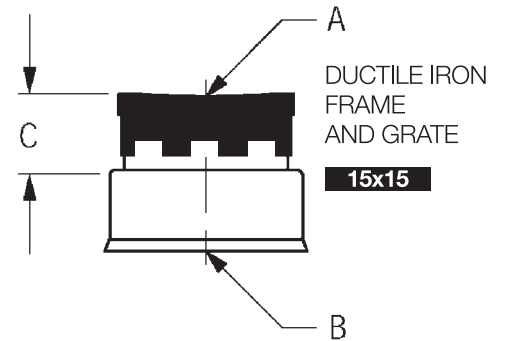
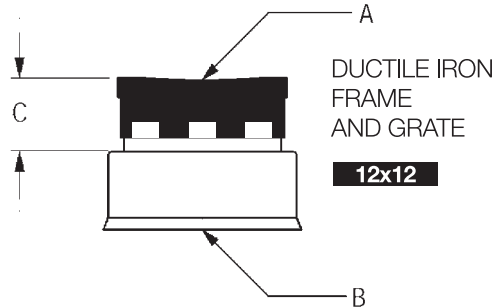
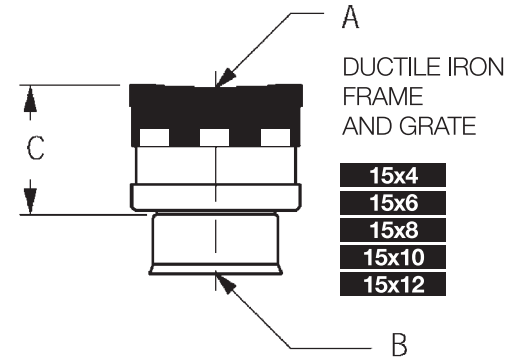
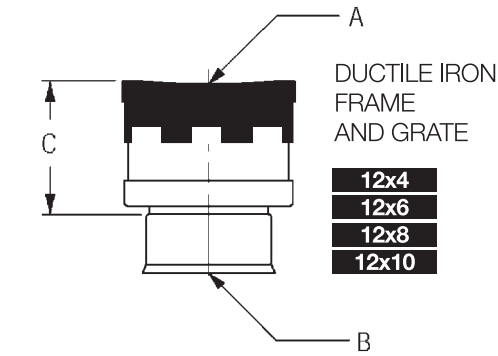
Solid



Domed

# 12" & 15" Inline Drains

Part#/Prefix	Product Description	Available Outlets
2712AG__X	12" Inline Drain	4" thru 12"
2715AG__X	15" Inline Drain	4" thru 15"



A	B	C
12"	4"	10.50"
12"	6"	11.50"
12"	8"	11.50"
12"	10"	11.25"
12"	12"	6.00"

A	B	C
15"	4"	13.25"
15"	6"	12.75"
15"	8"	12.25"
15"	10"	13.50"
15"	12"	12.75"
15"	15"	7.00"

## 12" & 15" Grate Options

Light Duty Bronze Grate Available (see pg. 24)



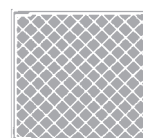
(see pg. 23 for detailed explanation)



Standard H-20 Rated



Pedestrian H-10 Rated



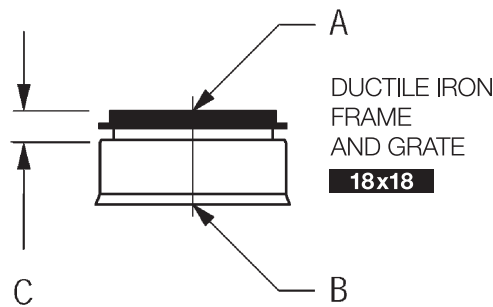
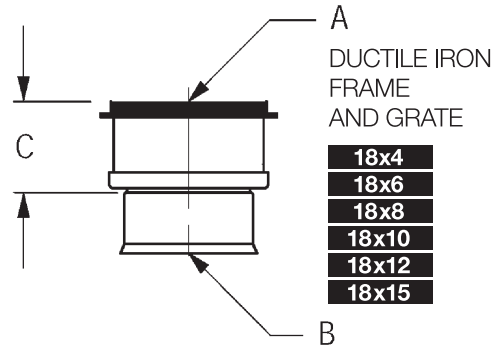
Solid



Domed

# 18" Inline Drains

Part#/Prefix	Product Description	Available Outlets
2718AG_X	18" Inline Drain	4" thru 18"



A	B	C
18"	4"	14.00"
18"	6"	14.00"
18"	8"	14.00"
18"	10"	14.00"
18"	12"	14.00"
18"	15"	13.50"
18"	18"	8.25"

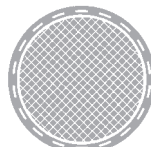
## 18" Grate Options



Standard  
H-20 Rated



Pedestrian  
H-10 Rated



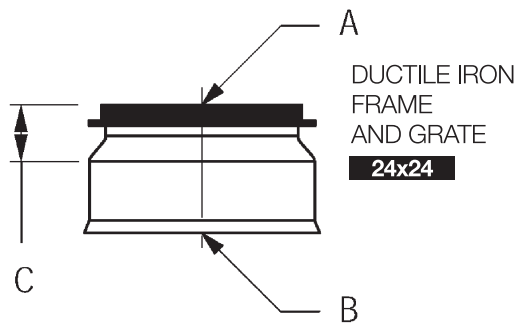
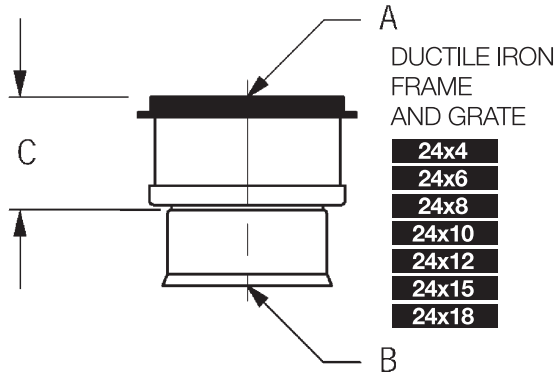
Solid



Domed

# 24" Inline Drains

Part#/Prefix	Product Description	Available Outlets
2724AG_X	24" Inline Drain	4" thru 24"



A	B	C
24"	4"	15.00"
24"	6"	15.00"
24"	8"	15.00"
24"	10"	15.00"
24"	12"	15.00"
24"	15"	15.00"
24"	18"	10.00"
24"	24"	10.25"

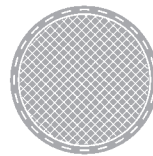
## 24" Grate Options



Standard  
H-20 Rated



Pedestrian  
H-10 Rated



Solid

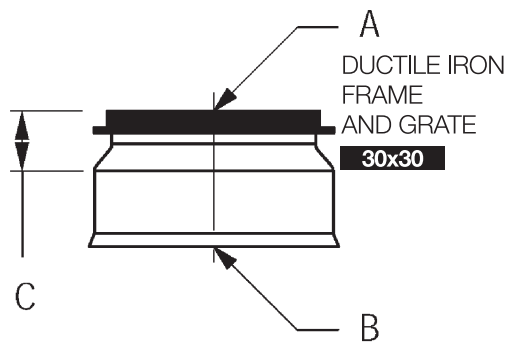
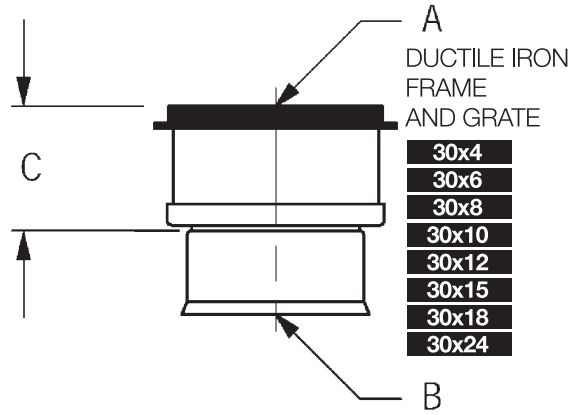


Domed



# 30" Inline Drains

Part#/Prefix	Product Description	Available Outlets
2730AG_X	30" Inline Drain	4" thru 30"



A	B	C
30"	4"	15.25"
30"	6"	15.50"
30"	8"	15.75"
30"	10"	16.00"
30"	12"	16.50"
30"	15"	17.00"
30"	18"	17.75"
30"	24"	14.00"
30"	30"	9.50"

## 30" Grate Options



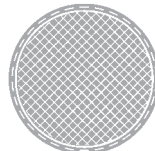
(see pg. 23 for detailed explanation)



Pedestrian  
H-20 Rated



Standard  
H-20 Rated



Solid



Domed



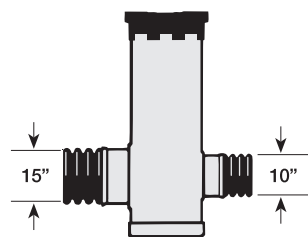
## HOW DO YOU BUILD A PART NUMBER? See page (32) for Drain Basins

A riser will be supplied with structures over 84".

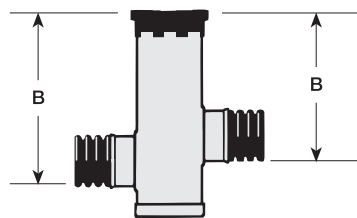
Part#/Prefix	Product Description	Available Outlets
2808AG__X	8" Custom Basin	4" thru 8"
2810AG__X	10" Custom Basin	4" thru 10"
2812AG__X	12" Custom Basin	4" thru 12"
2815AG__X	15" Custom Basin	4" thru 15"
2818AG__X	18" Custom Basin	4" thru 18"
2824AG__X	24" Custom Basin	4" thru 24"
2830AG__X	30" Custom Basin	4" thru 30"

Includes any grate option except bronze and domed. Bronze grates are available in 8", 10", 12", or 15" for Drain Basins and Inline Drains only.

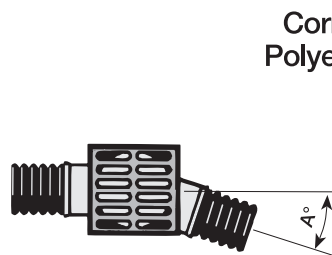
## When are Drain Basins Used?



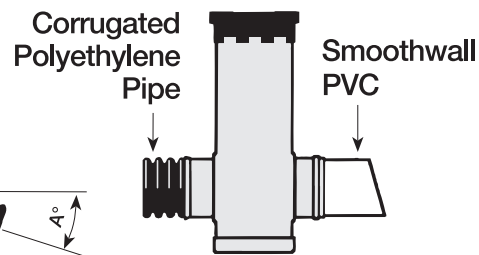
**Change Diameter**



**Change Elevation**



**Change Direction**

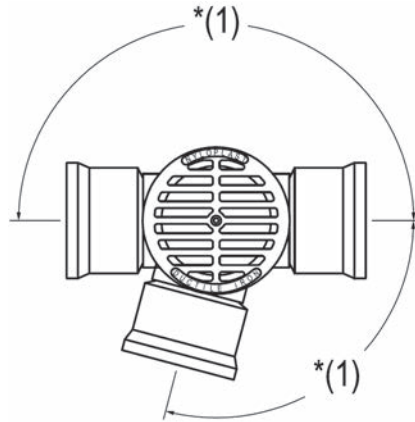


**Change Pipe**

# 8" & 10" Drain Basins

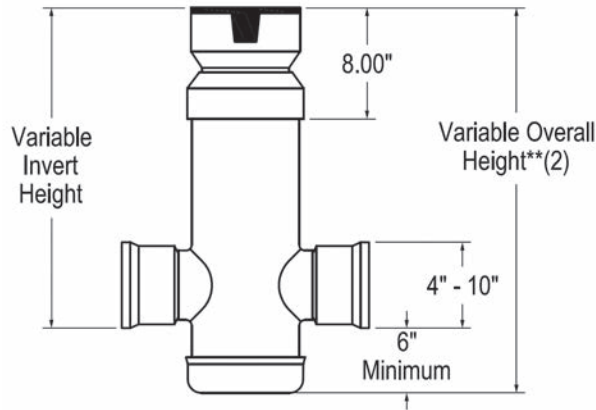
Part#/Prefix	Product Description	Available Outlets
2808AG__X	8" Custom Basin	4" thru 8"
2810AG__X	10" Custom Basin	4" thru 10"

All 8" & 10" custom basins will have a drop-in grate



\*(1) Adapters can be mounted on any angle 0° to 359°.

To determine minimum angle between adapters please see chart on page (1).



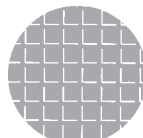
\*\* (2) Maximum recommended overall height 10'

## 8" & 10" Grate Options

Light Duty Bronze Grate Available (see pg. 23-24)



Standard



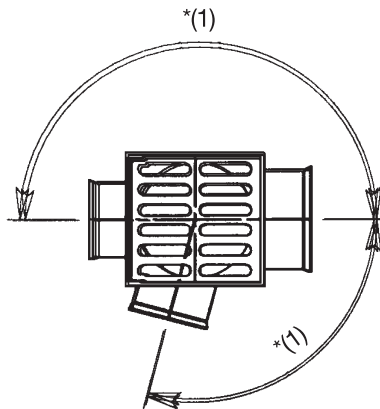
Solid



Domed

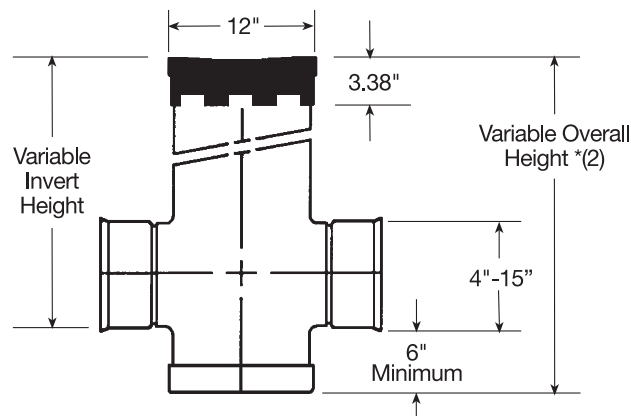
# 12" & 15" Drain Basins

Part#/Prefix	Product Description	Available Outlets
2812AG__X	12" Custom Basin	4" thru 12"
2815AG__X	15" Custom Basin	4" thru 15"



\*(1) Adapters can be mounted on any angle 0° to 359°.

To determine minimum angle between adapters please see chart on page (1).



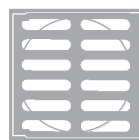
\*(2) Maximum recommended overall height 10'

## 12" & 15" Grate Options

Light Duty Bronze Grate Available (see pg. 23-24)



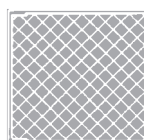
(see pg. 23 for detailed explanation)



Standard H-20 Rated



Pedestrian H-10 Rated



Solid

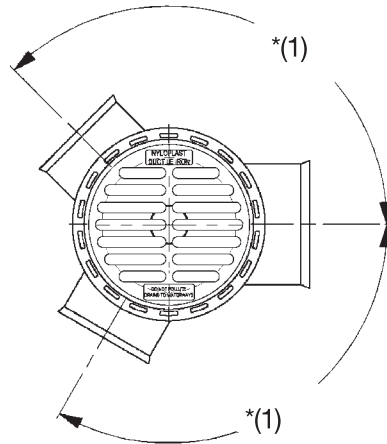


Domed



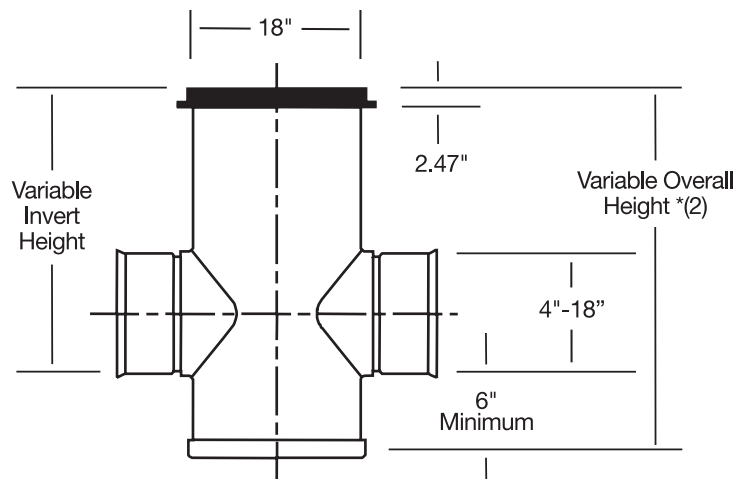
# 18" Drain Basins

Part#/Prefix	Product Description	Available Outlets
2818AG__X	18" Custom Basin	4" thru 18"



\*(1) Adapters can be mounted on any angle 0° to 359°.

To determine minimum angle between adapters please see chart on page (1).



\*(2) Maximum recommended overall height 10'

## 18" Grate Options



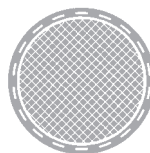
(see pg. 23 for detailed explanation)



Standard  
H-20 Rated



Pedestrian  
H-10 Rated



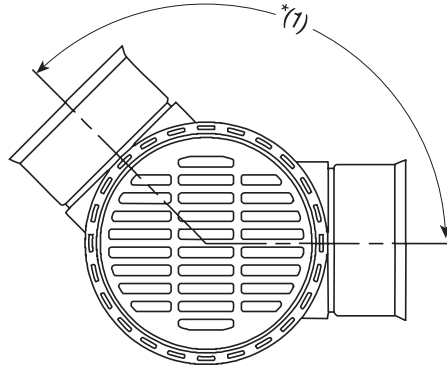
Solid



Domed

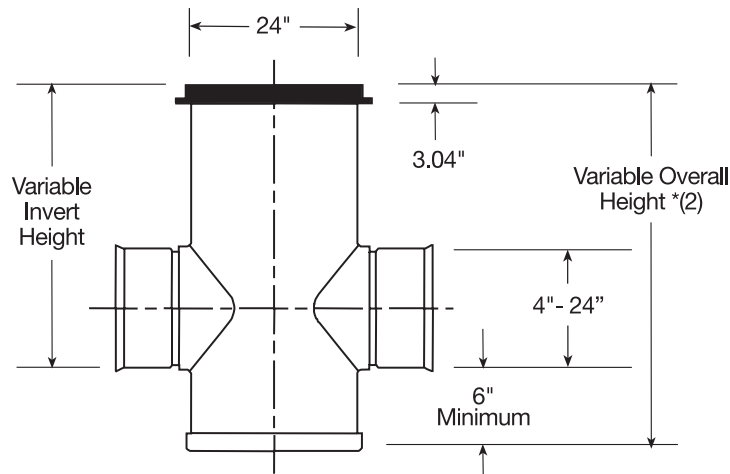
# 24" Drain Basins

Part#/Prefix	Product Description	Available Outlets
2824AG__X	24" Custom Basin	4" thru 24"



\*(1) Adapters can be mounted on any angle 0° to 359°.

To determine minimum angle between adapters please see chart on page (1).



\*(2) Maximum recommended overall height 10'

## 24" Grate Options



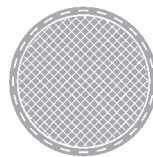
(see pg. 23 for detailed explanation)



Standard  
H-20 Rated



Pedestrian  
H-10 Rated



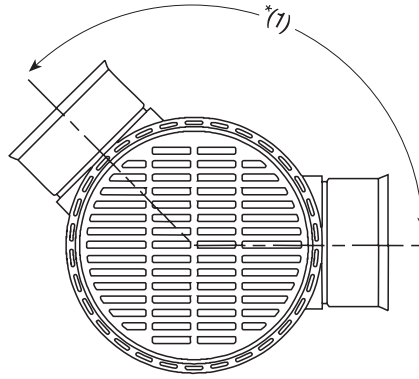
Solid



Domed

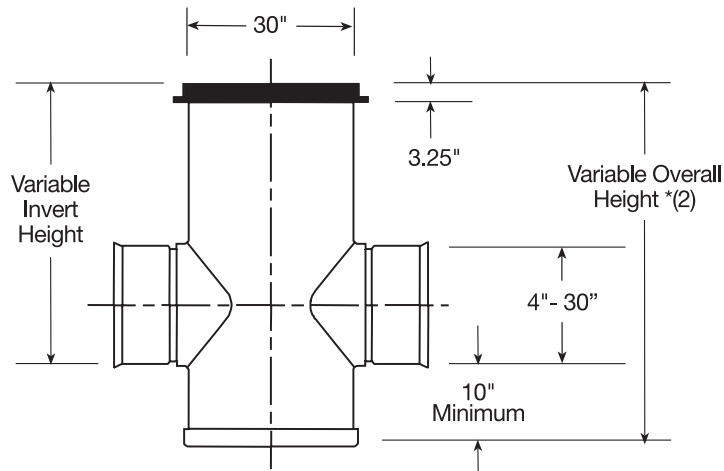
# 30" Drain Basins

Part#/Prefix	Product Description	Available Outlets
2830AG__X	30" Custom Basin	4" thru 30"



\*(1) Adapters can be mounted on any angle 0° to 359°.

To determine minimum angle between adapters please see chart on page (1).



\*(2) Maximum recommended overall height 10'

## 30" Grate Options



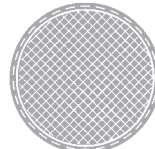
(see pg. 23 for detailed explanation)



Pedestrian  
H-20 Rated



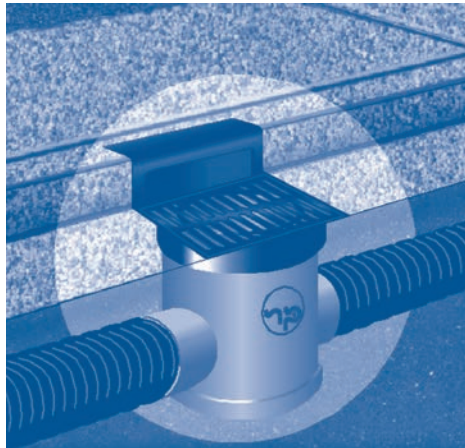
Standard  
H-20 Rated



Solid



Domed



**HOW DO YOU BUILD A PART NUMBER?  
See page (33) for Curb Inlet Structures**

A riser will be supplied with structures over 84”.

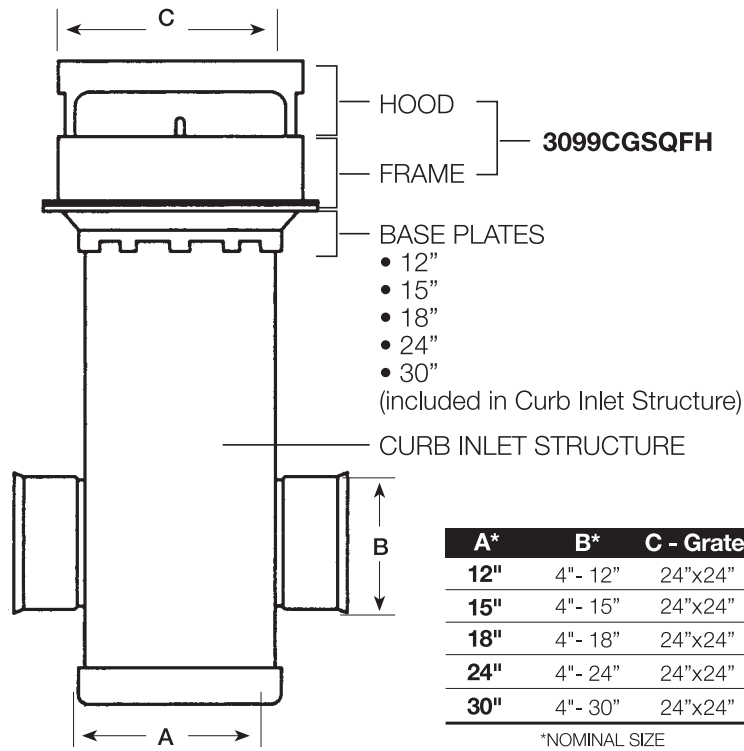
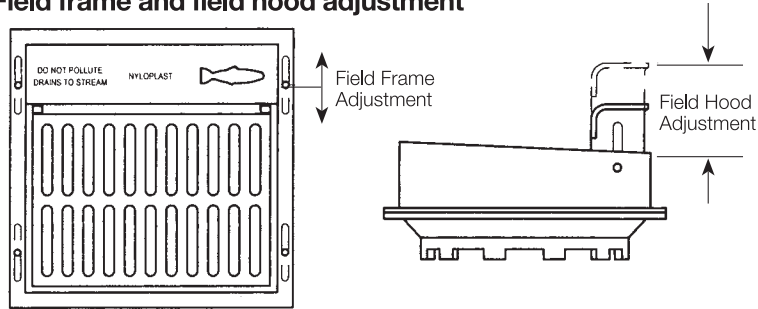
Part#/Prefix	Product Description	Available Outlets
<b>12” Curb Inlet Structure</b> 3012AGS__X	<b>(page 15)</b> 2’x2’ Series Square Grate	4” thru 12”
<b>15” Curb Inlet Structure</b> 3015AGS__X	<b>(page 15)</b> 2’x2’ Series Square Grate	4” thru 15”
<b>18” Curb Inlet Structure</b> 3018AGS__X	<b>(page 15)</b> 2’x2’ Series Square Grate	4” thru 18”
<b>18” Curb Inlet Structure</b> 3018AGR__X	<b>(page 16)</b> 2’x3’ Series Rectangular Grate	4” thru 18”
<b>24” Curb Inlet Structure</b> 3024AGS__X	<b>(page 15)</b> 2’x2’ Series Square Grate	4” thru 24”
<b>24” Curb Inlet Structure</b> 3024AGR__X	<b>(page 16)</b> 2’x3’ Series Rectangular Grate	4” thru 24”
<b>30” Curb Inlet Structure</b> 3030AGS__X	<b>(page 15)</b> 2’x2’ Series Square Grate	4” thru 30”
<b>30” Curb Inlet Structure</b> 3030AGR__X	<b>(page 16)</b> 2’x3’ Series Rectangular Grate	4” thru 30”



# Curb Inlets with 2'x2' Grate

See chart on page (14) for 2'x2' part numbers

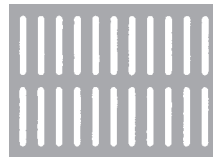
## Field frame and field hood adjustment



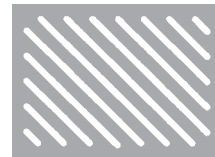
## 2'x2' Grate Options



(see pg. 23 for detailed explanation)



Standard H-20

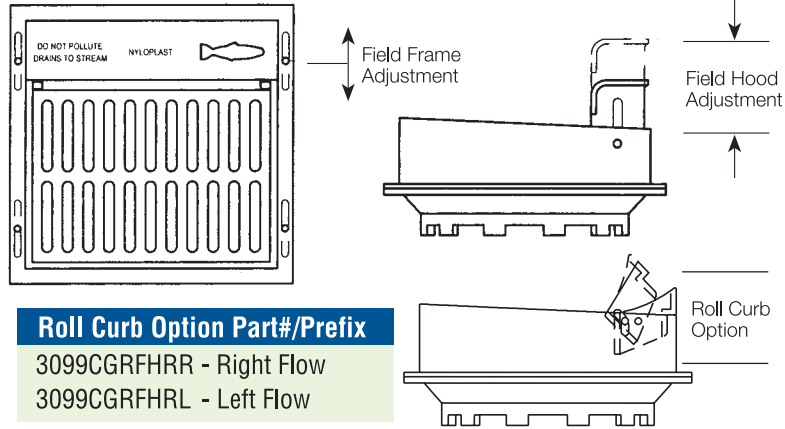


Diagonal Flow H-20

# Curb Inlets with 2'x3' Grate

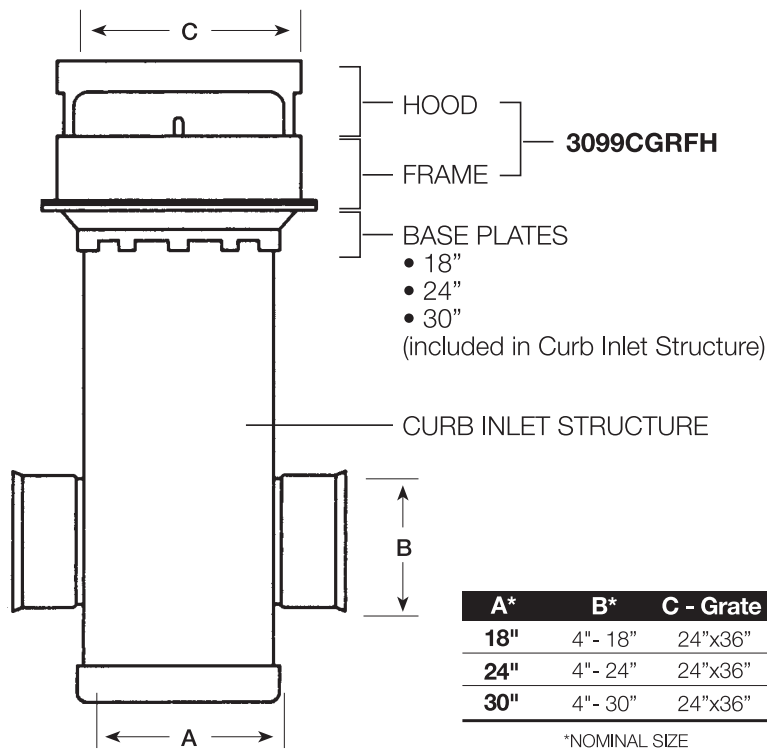
See chart on page (14) for 2'x3' Curb Inlet part numbers

## Field frame and field hood adjustment



### Roll Curb Option Part#/Prefix

- 3099CGRFHRR - Right Flow
- 3099CGRFHRL - Left Flow



## 2'x3' Grate Options



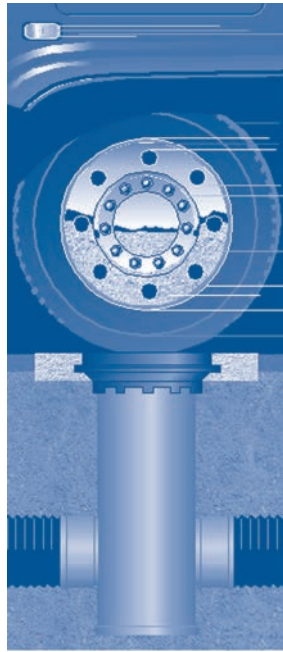
(see pg. 23 for detailed explanation)



Diagonal Flow



High Flow Vane  
(Roll Curb - right flow or left flow)



**HOW DO YOU BUILD A PART NUMBER?  
See page (34)  
for Road & Highway Structures**

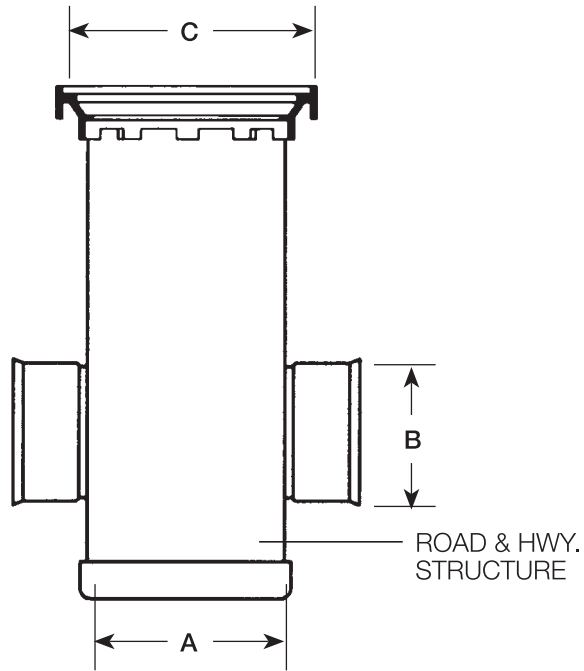
A riser will be supplied with structures over 84”.

Part#/Prefix	Product Description	Available Outlets
<b>12” Road &amp; Hwy. Structure (page 18)</b>		
3212AGS__X	2’x2’ Series Square Grate	4” thru 12”
<b>15” Road &amp; Hwy. Structure (page 18)</b>		
3215AGS__X	2’x2’ Series Square Grate	4” thru 15”
<b>18” Road &amp; Hwy. Structure (page 18)</b>		
3218AGS__X	2’x2’ Series Square Grate	4” thru 18”
<b>18” Road &amp; Hwy. Structure (page 19)</b>		
3218AGR__X	2’x3’ Series Rectangular Grate	4” thru 18”
<b>24” Road &amp; Hwy. Structure (page 18)</b>		
3224AGS__X	2’x2’ Series Square Grate	4” thru 24”
<b>24” Road &amp; Hwy. Structure (page 19)</b>		
3224AGR__X	2’x3’ Series Rectangular Grate	4” thru 24”
<b>30” Road &amp; Hwy. Structure (page 18)</b>		
3230AGS__X	2’x2’ Series Square Grate	4” thru 30”
<b>30” Road &amp; Hwy. Structure (page 19)</b>		
3230AGR__X	2’x3’ Series Rectangular Grate	4” thru 30”

## For Steel Bar Grate And Frame

Part#/Prefix	Product Description
3299CGSQFSB__	2’ x 2’ Steel Bar Grate with Frame
3299CGRFSB__	2’ x 3’ Steel Bar Grate with Frame

See chart on page (17)  
for 2'x2' Road & Highway Structure part numbers



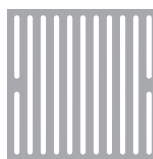
A*	B*	C - Grate
12"	4" - 12"	24"x24"
15"	4" - 15"	24"x24"
18"	4" - 18"	24"x24"
24"	4" - 24"	24"x24"
30"	4" - 30"	24"x24"

\*NOMINAL SIZE

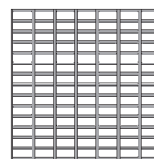
## 2'x2' Grate Options



(see pg. 23 for detailed explanation)



Ductile Iron Grate

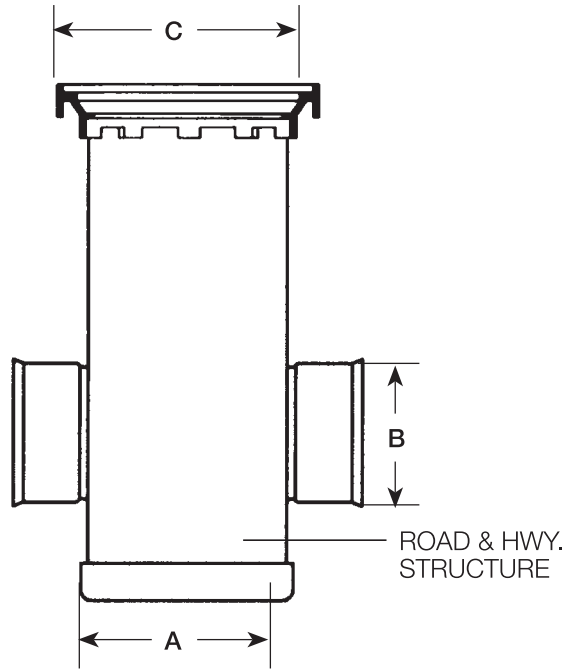


Steel Bar Grate



# Road & Highway with 2'x3' Grate

See chart on page (17)  
for 2'x3' Road & Highway Structure part numbers



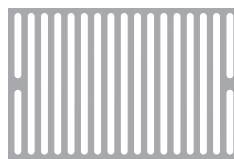
A*	B*	C - Grate
18"	4" - 18"	24"x36"
24"	4" - 24"	24"x36"
30"	4" - 30"	24"x36"

\*NOMINAL SIZE

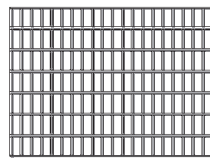
## 2'x3' Grate Options



(see pg. 23 for detailed explanation)



Ductile Iron Grate



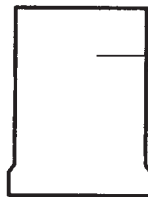
Steel Bar Grate



**HOW DO YOU BUILD A PART NUMBER?**  
**See page (32) for Riser Section**

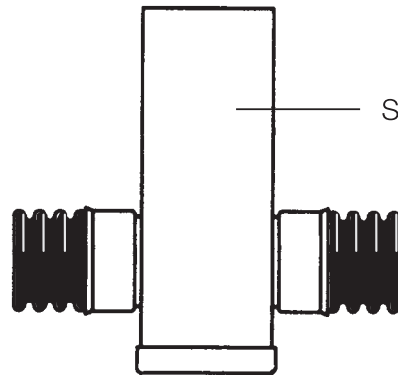


GRATE



**RISER SECTION**

Used to add height to existing structures. Order as each, and note length of riser.



STRUCTURE

## Riser Section Overview Chart

Part#/Prefix	Product Description
2908AG__X	8" Riser Section
2910AG__X	10" Riser Section
2912AG__X	12" Riser Section
2915AG__X	15" Riser Section
2918AG__X	18" Riser Section
2924AG__X	24" Riser Section
2930AG__X	30" Riser Section

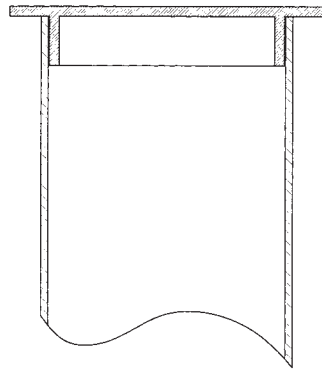
# Drop In Grates



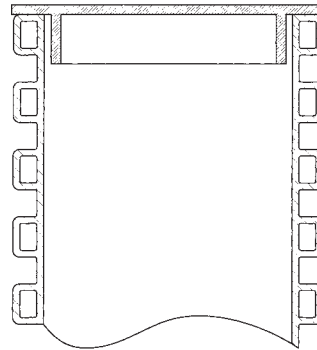
(see pg. 23 for detailed explanation)

**Drop in grates are ductile iron.  
These are for light duty, turf and  
landscape applications only.**

**Fits Inside  
Sewer SDR-35 Pipe**



**Fits Inside  
Corrugated Polyethylene Pipe**



## Drop In Grates Overview Chart

Part#/Prefix	Product Description
0601DI	6" Drop In Grate
0801DI	8" Drop In Grate
1001DI	10" Drop In Grate
1201DI	12" Drop In Grate
1501DI	15" Drop In Grate
1801DI	18" Drop In Grate
2401DI	24" Drop In Grate

### Grates for Inline Drains and Drain Basins

Formula: \_\_ **99 CG x** Blank= size of grate.

Choose from 08,10,12,15,18,24,30 depending on size of structure

- (x) = Style.   **S** Standard  
                  **SL** Standard Locking  
                  **P** Pedestrian - available in 8"- 24"  
                  **PL** Pedestrian Locking - available in 8"- 24"  
                  **C** Solid Cover  
                  **CL** Solid Cover Locking  
                  **B** Bronze - available in 8", 10", 12" & 15"  
                  **BL** Bronze Locking - available in 8", 10", 12" & 15"  
                  **D** Domed - available in 8"- 30"  
                  **DL** Domed Locking - available in 8"- 30"

### Drop-In Grates

Formula: \_\_ **01 DI** Blank= size of grate.

Choose from 06,08,10,12,15,18,24 depending on size of pipe

### Curb Inlet Grate Assembly

Order 3099CGSQFH and either 3099CGSQ or 3099CGSQDF:

- 3099CGSQFH** 2'x 2' Frame & Hood Assembly (12" - 30")  
**3099CGSQ** 2'x 2' Standard Grate (12" - 30")  
**3099CGSQDF** 2'x 2' Diagonal Flow Grate (12" - 30")

or

Order 3099CGRFH and choose either 3099CGRDF or 3099CGRHF:

- 3099CGRFH** 2'x 3' Frame & Hood Assembly (18" - 30")  
**3099CGRFHR** 2'x 3' Frame & Adjustable Roll Curb Assembly - Right Flow (18" - 30")  
**3099CGRFHL** 2'x 3' Frame & Adjustable Roll Curb Assembly - Left Flow (18" - 30")  
**3099CGRDF** 2'x 3' Standard Grate (18" - 30")  
**3099CGRHF** 2'x 3' High Flow Vane Grate (18" - 30")

### Road & Highway Grate Assembly

Order 1 each of the following:

- 3299CGSQF12** 12" Road & Hwy Square Grate and Frame  
**3299CGSQF15** 15" Road & Hwy Square Grate and Frame  
**3299CGSQF18** 18" Road & Hwy Square Grate and Frame  
**3299CGSQF24** 24" Road & Hwy Square Grate and Frame  
**3299CGSQF30** 30" Road & Hwy Square Grate and Frame  
**3299CGSQSB** \_\_ 2' x 2' Steel Bar Grate with Frame  
  
**3299CGRF18** 18" Road & Hwy Rectangle Grate and Frame  
**3299CGRF24** 24" Road & Hwy Rectangle Grate and Frame  
**3299CGRF30** 30" Road & Hwy Rectangle Grate and Frame  
**3299CGRSB** \_\_ 2' x 3' Steel Bar Grate with Frame

# Grate Options

for Inline Drains & Drain Basins

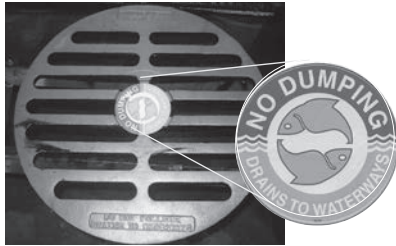
## Grate Markers

Public education and outreach is part of the NPDES requirement. Storm drain marking is an established method of involving the public and increasing community awareness about non-point source pollution.

Many Nyloplast castings come with a recessed area on the grate designed to accommodate these grate markers.

Nyloplast keeps inventory of only the featured marker shown below, however, other markers may be purchased in 100 piece lots as custom orders.

**Call for details.**



## Grate Riser Extensions



Round

Road & Hwy.

Extension rings can be used to quickly raise the grade of existing grates when resurfacing is required. Nyloplast extension rings are only to be used with Nyloplast ductile iron castings.

Size	Part#
18" Round with 2.0" Rise	1899CGER200
24" Round with 2.0" Rise	2499CGER200
30" Round with 2.0" Rise	3099CGER200
18" Round with 1.5" Rise	1899CGER150
24" Round with 1.5" Rise	2499CGER150
30" Round with 1.5" Rise	3099CGER150
<b>Road &amp; Highway</b>	
2'x 2' with 2.0" Rise	3299CGSQER200
2'x 3' with 2.0" Rise	3299CGSREER200



8" & 10"  
Dome  
Light-Duty



8" & 10"  
Standard  
Light-Duty  
*(also available  
in bronze)*



8" & 10"  
Solid  
Light-Duty



12" & 15"  
Dome  
Light-Duty



12" & 15"  
Standard  
H-20

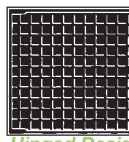
*Hinged Design*



12" & 15"  
Pedestrian  
H-10

*Also available  
in bronze  
(bronze are not hinged  
and are locking)*

*Hinged Design*



12" & 15"  
Solid  
H-20

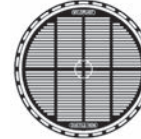
*Hinged Design*



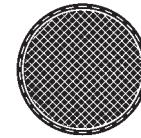
18", 24" & 30"  
Dome  
Light-Duty



18", 24" & 30"  
Standard  
H-20



18", 24" & 30"  
Pedestrian  
H-10



18", 24" & 30"  
Solid  
H-20



Pedestrian Safe  
(ADA Compliant)



Bicycle Safe



Light Duty  
7,500 lb



Medium Duty  
H-10



Heavy Duty  
H-20

## Curb Inlet and Road & Highway Grates



Curb Inlet  
2'x 2'  
Standard  
Grate



Curb Inlet  
2'x 2'  
Diagonal Flow  
Grate



Curb Inlet  
2'x 3'  
Diagonal Flow  
Grate

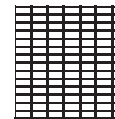


Curb Inlet  
2'x 3'  
High Flow  
Vane Grate

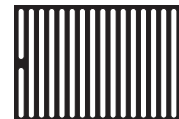
Roll Curb  
right flow or left flow



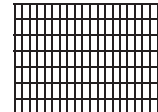
Road & Hwy.  
2'x 2'  
Square Grate



Road & Hwy.  
2'x 2'  
Steel Bar Grate  
and Frame



Road & Hwy.  
2'x 3'  
Rectangular  
Grate



Road & Hwy.  
2'x 3'  
Steel Bar Grate  
and Frame

## Grate Only Part Numbers and Description

Part#	Product Description
0899CGS	8" Standard Light-Duty Grate
0899CGC	8" Solid Cover
0899CGD	8" Domed Grate
0899CGB	8" Bronze Light-Duty Grate
1099CGS	10" Standard Light-Duty Grate
1099CGC	10" Solid Cover
1099CGD	10" Domed Grate
1099CGB	10" Bronze Light-Duty Grate
1299CGS	12" Standard H-20 Grate
1299CGP	12" Pedestrian Grate
1299CGC	12" Solid H-20 Cover
1299CGD	12" Domed Grate
1299GPB	12" Bronze Light-Duty Grate
1599CGS	15" Standard H-20 Grate
1599CGP	15" Pedestrian Grate
1599CGC	15" Solid H-20 Cover
1599CGD	15" Domed Grate
1599GPB	15" Bronze Light-Duty Grate
1899CGS	18" Standard H-20 Grate
1899CGP	18" Pedestrian Grate
1899CGC	18" Solid H-20 Cover
1899CGD	18" Domed Grate
2499CGS	24" Standard H-20 Grate
2499CGP	24" Pedestrian Grate
2499CGC	24" Solid H-20 Cover
2499CGD	24" Domed Grate
3099CGS	30" H-20 Standard Grate
3099CGP	30" Pedestrian Grate
3099CGC	30" Solid H-20 Cover
3099CGD	30" Domed Grate
3099CGSQ	Curb Inlet 2'x2' Square w/ Standard Grate
3099CGSQDF	Curb Inlet 2'x2' Square w/ Diagonal Flow Grate
3099CGSQFH	Curb Inlet 2'x2' Square Frame & Hood
18BASEG	Base Plate 2'x2' for 18" Structure
24BASEG	Base Plate 2'x2' for 24" Structure
30BASEG	Base Plate 2'x2' for 30" Structure
3099GRDF	Curb Inlet 2'x3' Rectangular w/ Diagonal Flow Grate
3099GRHF	Curb Inlet 2'x3' Rectangular w/ High Flow Vane Grate
3099GRTWG	Curb Inlet 2'x3' Rectangular w/ Two Way Grate
3099GRFH	Curb Inlet 2'x3' Rectangular Frame & Hood
3099GRFHRL	Roll Curb Inlet 2'x3' Rectangular Frame - Left
3099GRFHRR	Roll Curb Inlet 2'x3' Rectangular Frame - Right
18BASER	Base Plate 2'x3' for 18" Structure
24BASER	Base Plate 2'x3' for 24" Structure
30BASER	Base Plate 2'x3' for 30" Structure
Grate excludes base plate	
3299CGSQF12	12" Road & Hwy Square Grate and Frame
3299CGSQF15	15" Road & Hwy Square Grate and Frame
3299CGSQF18	18" Road & Hwy Square Grate and Frame
3299CGSQF24	24" Road & Hwy Square Grate and Frame
3299CGSQF30	30" Road & Hwy Square Grate and Frame
3299CGSQSB__	2' x 2' Steel Bar Grate with Frame
3299GRF18	18" Road & Hwy Rectangle Grate and Frame
3299GRF24	24" Road & Hwy Rectangle Grate and Frame
3299GRF30	30" Road & Hwy Rectangle Grate and Frame
3299GRSB__	2' x 3' Steel Bar Grate with Frame

Locking - Add "L" to the end of any grate #



## INSERTA TEE® Manifold Adaptors Fit Any Mainline or Structure

### Air-Testable, Watertight and Versatile

INSERTA TEE is a three piece service connection consisting of a PVC Hub, Rubber Sleeve and Stainless Steel Band. INSERTA TEE is compression fit into the cored wall of a mainline and requires no special tooling. INSERTA TEEs are designed to connect 2" (51 mm) through 30" (750 mm) services to all known solidwall, profile, closed profile and corrugated pipe manufactured today.

INSERTA TEE allows for tapping of existing lines without disturbing the bedding. It eliminates glues, epoxies, grout and awkward gaskets and the need to retighten bands around the mainline.

INSERTA TEE is designed to match the internal radius of any pipe and services can be connected where needed. It allows for easier grading of the mainline. It also greatly reduces costs by reducing labor hours and pipe materials. Hole saws are available for sale for all sizes of INSERTA TEEs. The use of installation methods or hole saws not purchased from Inserta Fittings will void the performance warranty of the product.



Rubber Sleeve



Stainless Steel Band



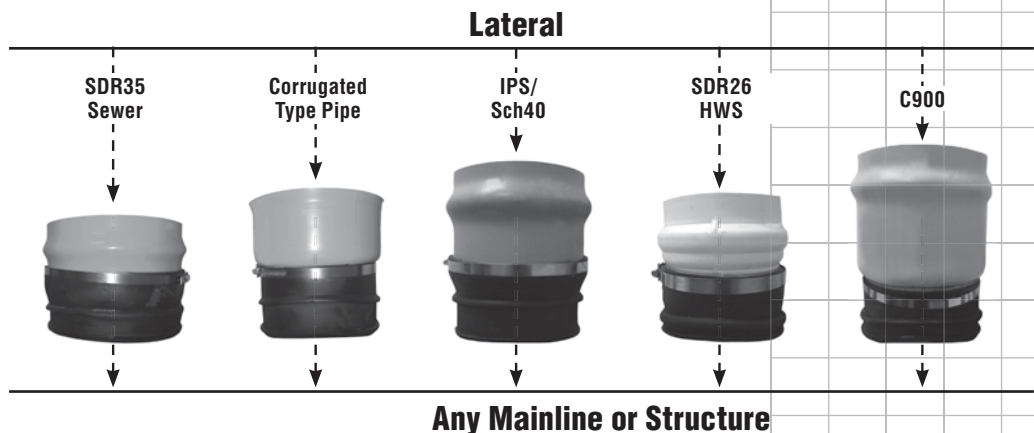
Gasketed PVC Hub

### Applications:

- Sanitary Sewers
- Pipe Bursting (HDPE/PVC)
- Fold-and-Formed Products
- Manholes
- Drainage
- Catch Basins
- Storm Sewers
- Sliplining
- Cured-In-Place Products
- Wet Wells
- Irrigation
- Electrical Vaults Available 2009

### INSERTA TEE Fittings For All Gravity Flow Pipe And Manholes

Ductile Iron	Spirolite	Ultra Rib™	Pro 21®
Fiberglass	Hi Q®/Sure-Lok®	PermaLok®	Polyethylene
PVC	Vylon®	Corrugated Metal	Truss®
Ultra Corr™	N-12®	Solflo® Max	A2000®
GOLDFLO®	Kor-Flo™	Concrete	Clay
Weholite®	Asbestos Cement	HP Storm	SaniTite® HP
DuroMaxx®			







## EnviroHood Structure

The Nyloplast EnviroHood™ is an innovative stormwater management device attached to the inside of a catch basin or manhole designed to prevent the outflow of floating debris and oil.

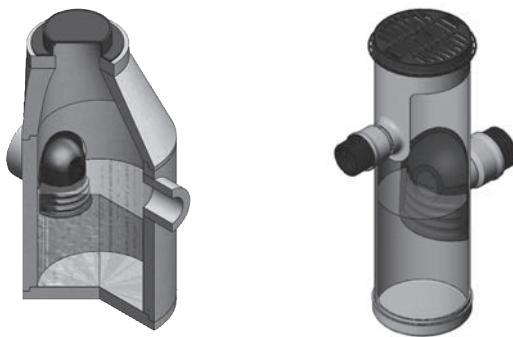
The need for cleaner stormwater has caused municipal leaders to demand forward-thinking solutions to improve their overall water quality. The EnviroHood offers lower installed costs and less intrusive installations than competitive devices.

### Engineered for Optimal Performance

The innovative design incorporates the same proven corrugation technology used on ADS N-12® pipe products. This delivers maximum strength to weight ratio and ensures the structure is capable of supporting the hydraulic forces of a rainfall event.

### Features & Benefits:

- Molded from High Density Polyethylene (HDPE) for lightweight and sturdy design
- Corrugated design eliminates flat surfaces and provides increased structural capacity
- Effective low-cost solution for storm water treatment
- Easy to clean
- Highly corrosion-resistant for long service life



## How to Order an EnviroHood Structure

Verify that requirements of the Drain Basin are met:

1. Size of Basin (must be 18", 24" or 30")
  2. Number of Stubs
  3. **Contact Nyloplast for EnviroHood and Weir** minimum angles (standard chart does not apply).
  4. Sump depth sufficient (see table page 28 for minimum sump requirement)
- Must have part # and price on individual line on order.
  - The **EnviroHood** should be ordered on the specific **EnviroHood** order form on page 33
  - Part # specifies the size of stub, but should also be notated on the drawing / order form must also signify which stub will accept the **EnviroHood**.

# NPDES Phase II Accessories

## FLEXSTORM® CATCH-IT® Reusable Inlet Protection

State DOTs and Municipalities across the country now have a universal structural BMP to address the issue of storm sewer inlet protection: FLEXSTORM CATCH-IT Inlet Filters—the temporary and reusable solution.

The FLEXSTORM CATCH-IT system is the preferred choice for temporary inlet protection and storm water runoff control. FLEXSTORM CATCH-IT Inlet Filters will fit any drainage structure and are equipped with high-efficiency filter bags. Whether you're the specifier or the user, it's clear to see how FLEXSTORM CATCH-IT Inlet Filters outperform the competition.

### Applications:

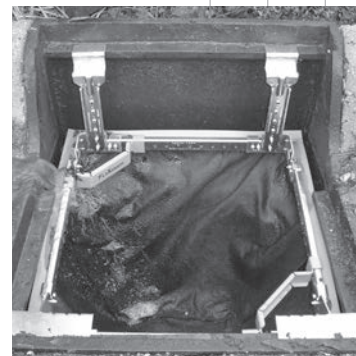
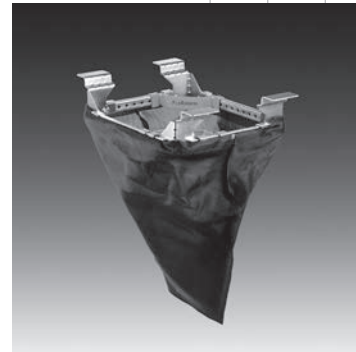
- DOT
- Commercial
- Industrial
- Residential Developments
- Road Construction
- Parking Lots
- Maintenance

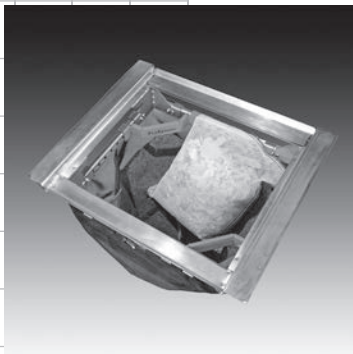
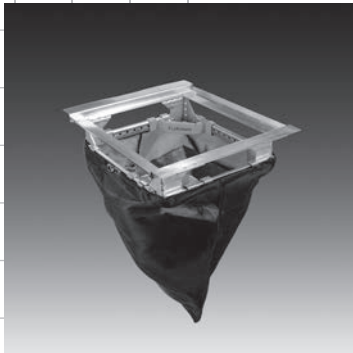
### Features

- **Configurable:** steel frames configured and guaranteed to fit ANY storm drainage structure
- **Adjustable:** although shipped to fit your inlet, rectangular framing may be field adjusted in 1/2" increments if necessary
- **Reusable:** galvanized framing will last year after year in harsh conditions, while geotextile filter bags are easily replaced after several years of use
- **Effective:** works below grade; overflow feature allows streets to drain with full bag; third party testing results of the FX filter bag show 82%
- **Affordable:** low per-unit cost; installs in seconds; easily maintained with Universal Removal Tool (no machinery required)

### Benefits

- Reduce jobsite flooding and keep projects running
- Minimize residential complaints with cleaner, dryer streets during all construction phases
- Prevent hazardous road icing conditions by eliminating ponding at curb inlets
- Significantly reduce cleanup costs
- Prevent siltation and pollution of rivers, lakes, and ponds
- Helps prevent fines; NPDES PHASE II Compliant
- Lowest cost alternative for the highest level of Inlet Protection
- Available through 5,000 ADS distributors nationwide
- Ships within 48 hours





## FLEXSTORM® PURE Permanent Inlet Protection

The FLEXSTORM PURE system is the preferred choice for permanent inlet protection and storm water runoff control. Constructed of versatile stainless steel, FLEXSTORM PURE Inlet Filters will fit any drainage structure and are available with site-specific filter bags providing various levels of filtration. Whether you're the specifier or the user, it's clear to see how FLEXSTORM PURE Inlet Filters outperform the competition.

### Applications:

- Car Washes
- Commercial
- Loading Ramps
- Industrial
- Gas Stations
- Parking Lots
- Dock Drains
- Maintenance

### Features

- Stainless Steel filter framing is custom configured to fit perfectly into any drainage structure, whether a standard design or obstructed inlet opening
- Filtered Flow Rates and Ultimate Bypass Rates are designed to meet your specific inlet requirements
- Multiple Filter Bags are available targeting site specific removal of trash, litter, leaves, or small particles, oil and grease
- Filters work below grade with an ultimate bypass allowing inlet area to drain with a full bag
- Units install in seconds and are easily maintained with the FLEXSTORM Universal Removal Tool (no heavy machinery required)

### Benefits

- Receive payback on your investment: durable stainless steel framing provides extended service life while replaceable filter bags handle loads with a safety factor of 5
- Meet stringent removal requirements:
  - FX filter bags are rated for > 80% removal efficiency of street sweep-size particles
  - PC/PC+ filter bags have been tested to 99% TSS removal of OK-110 US Silica Sand and 97% TPH (total petroleum hydrocarbon) removal
- Help prevent fines: FLEXSTORM Inlet Filters comply with EPA NPDES initiatives as a temporary or permanent BMP
- Available through 5,000 ADS distributors nationwide
- If not in stock, orders up to 100 pcs can ship within 48 hours

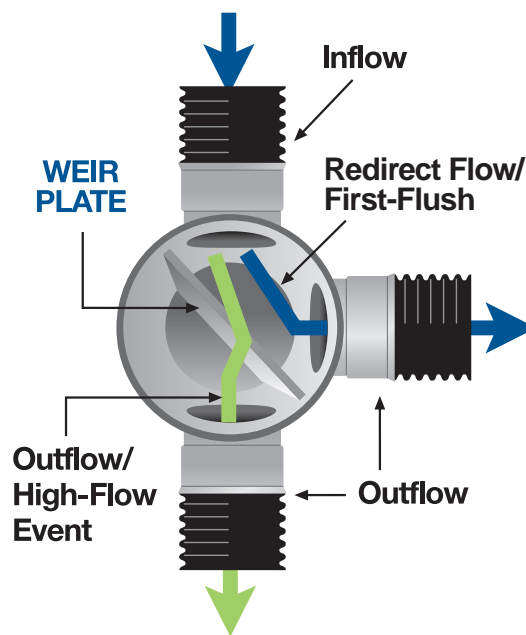
## Weir Structure

### How the Weir Structure Works:

- Storm water flows into the Nyloplast catch basin structure.
- The water flow is diverted to a desired outlet from the catch basin, typically to a water quality device, in order to effectively capture pollutants during the “first flush” of a storm event.
- The Weir Structure may also serve to restrict or regulate the flow of water exiting the drainage system. The restriction is determined by height of the weir and/or the size of the orifice hole in the weir plate.

### Weir Structure Benefits:

- Simple and effective method to direct the inlet flow into a storm water management system or water quality device.
- Simple and effective method to regulate outlet flow from a storm water management system.
- Enhances ability of a water quality device to capture pollutants from storm event.
- Allows for flexibility to re-direct water flow during a high-flow event.
- Proven technology used for many years in the irrigation market.
- Nyloplast can customize Weir Structures (at the direction of the design engineer) to provide a variety of weir functions for site-specific needs, including “key way slot” and “v-notch” weir designs, and high flow or low flow orifice hole designs to further regulate the flow of storm water.



## How to Order a Weir Structure

Verify that requirements of the Drain Basin are met:

1. Size of Basin
  2. Number of Stubs
  3. Contact Nyloplast for Snout and Wier minimum angles (standard chart does not apply).
- Get pricing estimate. (Pricing aid will be supplied for this procedure. If price cannot be determined, contact Nyloplast.)
  - The Weir Structure should be ordered on the specific Weir Structure order form on page 33
  - Contact Nyloplast for lead-time and relay information to customer. This will be determined on a case-by-case scenario.

## Weir - Overview Chart

Part#/Prefix	Product Description
<b>24" Drain Basin with Weir Structure</b>	
2824AG __ XWE	24" Custom Basin with Grate & Weir
<b>30" Drain Basin with Weir Structure</b>	
2830AG __ XWE	30" Custom Basin with Grate & Weir
<b>24" Curb Inlet Structure with Weir - 2'x 2' Series Square Grate</b>	
3024AGS __ XWE	24" Curb Inlet Structure with Grate & Weir
<b>24" Curb Inlet Structure with Weir - 2'x 2' Series Rectangular Grate</b>	
3024AGR __ XWE	24" Curb Inlet Structure with Grate & Weir
<b>30" Curb Inlet Structure with Weir - 2'x 2' Series Square Grate</b>	
3030AGS __ XWE	30" Curb Inlet Structure with Grate & Weir
<b>30" Curb Inlet Structure with Weir - 2'x 3' Series Rectangular Grate</b>	
3030AGR __ XWE	30" Curb Inlet Structure with Grate & Weir
<b>24" Road &amp; Highway Structure with Weir - 2'x 2' Series Square Grate</b>	
3224AGS __ XWE	24" Road & Highway Structure with Grate & Weir
<b>24" Road &amp; Highway Structure with Weir - 2'x 3' Series Rectangular Grate</b>	
3224AGR __ XWE	24" Road & Highway Structure with Grate & Weir
<b>30" Road &amp; Highway Structure with Weir - 2'x 2' Series Square Grate</b>	
3230AGS __ XWE	30" Road & Highway Structure with Grate & Weir
<b>30" Road &amp; Highway Structure with Weir - 2'x 3' Series Rectangular Grate</b>	
3230AGR __ XWE	30" Road & Highway Structure with Grate & Weir

## Pour Ring

The pour ring is used with 8" and 10" structures. This allows for removal of the grate when body is encased.

Part#/Prefix	Product Description
2708AGCPR	8" pour ring
2710AGCPR	10" pour ring

## Perforations

Perforations can be added to any structure for an additional charge. (Holes are 3/8 inch diameter)

Please make note on the drawing/order and include information or diagram for placement. Consult the **Perforation Schedule** below details.

Basin Size	Angle Between Holes	No. of Holes	Distance Between Holes	Diameter of Holes
8"	90	4	2.00	0.375
10"	90	4	2.00	0.375
12"	60	6	2.00	0.375
15"	60	6	2.00	0.375
18"	45	8	2.00	0.375
24"	45	8	2.00	0.375
30"	36	10	2.00	0.375

## Alternate Pipe Connections

An additional charge per adapter applies to all products adapting to:

- 4"- 24" gasketed C900 / C905
- 4"- 24" gasketed IPS
- 24" DWV
- 24" gasketed SWR
- RCP, CMP, Others

# Drain Basin Configurator

## Do-It-Yourself Nyloplast Drain Basin Configurator

The Basin Configurator design program automatically designs a Nyloplast drain structure quickly and easily online. Entering just minimal information enables the proprietary software to customize a basin for any project. Input sections include type of pipe, basin diameter, and details for each branch including diameter, angle plus invert height. Any miscalculations are reduced as the program automatically guides you to suggested measurement(s). The program then provides a drawing and list of components that can be immediately ordered or saved in the user's private account.

The Custom Basin Configurator can be found at [www.ads-pipe.com](http://www.ads-pipe.com), or at [www.basinconfigurator.com](http://www.basinconfigurator.com)

### Features & Benefits:

- Automatic design is quick and easy
- Customizable for any project
- Private online accounts can store multiple projects
- Custom products can be ordered immediately or saved for a later date
- Products arrive on the job site ready to install
- Installation is quick, safe and simple
- Minimal labor contributes to immediate cost savings all around

The screenshot shows the 'Custom Basin Configurator' web application. At the top, there is a navigation bar with a 'Go Back to My Dashboard' link. Below the header, a message states 'Project Test has been created.' The main content area is titled 'Start Here' and provides instructions: 'Follow the steps below to create your custom drain basin. Be sure to use the Help Buttons below if you need guidance and examples. Also be sure to pay attention to any messages you receive on the left side of the configurator. These messages will let you know if you need to adjust your configuration.'

The configuration steps are as follows:

- Please select your basin diameter:** A dropdown menu is set to '18"'. A help button asks 'What is the basin diameter?'. A 'My Custom Drain Basin' diagram shows a circular basin with a blue segment at the top, and angles of 270, 90, and 180 degrees are marked.
- Branch 1:** Fields for 'DIAMETER' (set to '6"'), 'ANGLE' (set to '13'), and 'INVERT HEIGHT' (set to '13 inches'). A 'PIPE' dropdown is set to 'ADS HP'. A help button asks 'I need help configuring this branch.' and an 'Add a Branch' button is present.
- Please enter your rim height:** A field is set to '70 inches'. A help button asks 'What is the rim height?'.
- Specify your grate size. If unsure, match your basin diameter:** A dropdown is set to '18"'. A 'Locking grate needed?' dropdown is set to 'No'.

At the bottom, there are 'Request Pricing' and 'Specify This Part' buttons.

The landing page features the Nyloplast and ADS logos at the top left and a 'LOGIN TO PROJECT CENTER' button at the top right. The main heading is 'Nyloplast Drain Basin Configurator' with the tagline 'A first-in--industry efficiency tool for creating custom Nyloplast drain basins.' Below this is a 'GET STARTED NOW' button.

The page is divided into three main sections, each with a circular icon and a brief description:

- Configure:** Icon of a pipe and grate. Text: 'Our easy-to-use configurator takes the pain out of creating custom drain basins.'
- Specify:** Icon of a document with a checklist. Text: 'Get the documentation you need for your project to specify your custom basin.'
- Get Pricing:** Icon of a speech bubble with a dollar sign. Text: 'Send your custom drain basin to the ADS sales team to get a price quote.'



## Prefixes:

**27** = Inline Drain    **29** = Riser    **32** = Road & Highway  
**28** = Drain Basin    **30** = Curb Inlet Structure    Structure

## Inline Drains

**Formula:** **27** \_ \_ **AG** \_ \_ **X**

The first set of blanks is the size of the body  
(Choose from 08,10,12,15,18,24,30)

The second set of blanks is the size of pipe adapting to  
(Choose from 04,06,08,10,12,15,18,24,30)

The **X** represents the type of pipe adapting to. Replace **X** with one of the following:

**N** = ADS / Hancor dual wall pipe

**D** = DWV PVC (Sch 40 or Sch 80)

**S** = SWR PVC (ASTM D 3034: SDR 35 SWR & SDR 26 SWR PVC)

**O** = Big O / Armtex

If type of pipe does not fit any of these, leave X blank and note type of pipe and outside diameter of pipe.

## Drain Basins

**Formula:** **28** \_ \_ **AG** \_ \_ **X**

The first set of blanks is the size of the body  
(Choose from 08,10,12,15,18,24,30)

The second set of blanks is the number of branches (Choose from 01 thru 05)

The **X** represents the type of pipe adapting to. Replace **X** with one of the following:

**N** = ADS / Hancor dual wall pipe

**D** = DWV PVC (Sch 40 or Sch 80)

**S** = SWR PVC (ASTM D 3034: SDR 35 SWR & SDR 26 SWR PVC)

**DR** = ADS / Hancor single wall pipe

If branches are mixed (two or more different types of pipe), leave X as blank.

If type of pipe does not fit any of these, please note type of pipe and outside diameter of pipe and call Nyloplast at **(866) 888-8479** for technical assistance.

## Risers

**Formula:** **29** \_ \_ **AGX**

The blanks are the size of the body (Choose from 08,10,12,15,18,24,30)

The **X** represents **01** = 1 foot, **02** = 2 foot.

Please order as Qty of each and line note the height of the riser.

Example: 3 each 2912AG (12" riser section)

Line note: 3 each - 2 ft tall



# How to Build a Part Number

## Prefixes:

**27** = Inline Drain    **30** = Curb Inlet Structure  
**28** = Drain Basin    **32** = Road & Highway Structure  
**29** = Riser

## Curb Inlet Structures

### 2'x 2' Series Square Grate

**Formula:** **30** \_ \_ **AGS** \_ \_ **X**

The first set of blanks is the size of the body  
(Choose from 12,15,18,24,30)

The second set of blanks is the number of branches (Choose from 01 thru 05)

The **X** represents the type of pipe adapting to. Replace **X** with one of the following:

**N** = ADS / Hancor dual wall pipe  
**D** = DWV PVC (Sch 40 or Sch 80)  
**S** = SWR PVC (ASTM D 3034: SDR 35 SWR & SDR 26 SWR PVC)  
**DR** = ADS / Hancor single wall pipe

If branches are mixed (two or more different types of pipe), leave X as blank.

If type of pipe does not fit any of these, please note type of pipe and outside diameter of pipe and call Nyloplast at **(866) 888-8479** for technical assistance.

## Curb Inlet Structures

### 2'x 3' Series Rectangular Grate

**Formula:** **30** \_ \_ **AGR** \_ \_ **X**

The first set of blanks is the size of the body  
(Choose from 18,24,30)

The second set of blanks is the number of branches (Choose from 01 thru 05)

The **X** represents the type of pipe adapting to. Replace **X** with one of the following:

**N** = ADS / Hancor dual wall pipe  
**D** = DWV PVC (Sch 40 or Sch 80)  
**S** = SWR PVC (ASTM D 3034: SDR 35 SWR & SDR 26 SWR PVC)  
**DR** = ADS / Hancor single wall pipe

If branches are mixed (two or more different types of pipe), leave X as blank.

If type of pipe does not fit any of these, please note type of pipe and outside diameter of pipe and call Nyloplast at **(866) 888-8479** for technical assistance.

## Prefixes:

**27** = Inline Drain    **30** = Curb Inlet Structure  
**28** = Drain Basin    **32** = Road & Highway Structure  
**29** = Riser

## Road & Highway Structures

### 2'x 2' Series Square Grate

**Formula:** **32** \_ \_ **AGS** \_ \_ **X**

The first set of blanks is the size of the body  
(Choose from 12,15,18,24,30)

The second set of blanks is the number of branches (Choose from 01 thru 05)

The **X** represents the type of pipe adapting to. Replace **X** with one of the following:

**N** = ADS / Hancor dual wall pipe  
**D** = DWV PVC (Sch 40 or Sch 80)  
**S** = SWR PVC (ASTM D 3034: SDR 35 SWR & SDR 26 SWR PVC)  
**DR** = ADS / Hancor single wall pipe

If branches are mixed (two or more different types of pipe), leave X as blank.

## Road & Highway Structures

### 2'x 3' Series Rectangular Grate

**Formula:** **32** \_ \_ **AGR** \_ \_ **X**

The first set of blanks is the size of the body  
(Choose from 18,24,30)

The second set of blanks is the number of branches (Choose from 01 thru 05)

The **X** represents the type of pipe adapting to. Replace **X** with one of the following:

**N** = ADS / Hancor dual wall pipe  
**D** = DWV PVC (Sch 40 or Sch 80)  
**S** = SWR PVC (ASTM D 3034: SDR 35 SWR & SDR 26 SWR PVC)  
**DR** = ADS / Hancor single wall pipe

If branches are mixed (two or more different types of pipe), leave X as blank.

If type of pipe does not fit any of these, please note type of pipe and outside diameter of pipe and call Nyloplast at **(866) 888-8479** for technical assistance.

# Drainage Structure Cost Comparison



## Pre-Cast Concrete

### Materials Cost

**CONCRETE BOX**  
Complete w/ Bottom,  
Adapter Top and Outlets \_\_\_\_\_

Frame & Grate or  
Frame, Grate & Hood \_\_\_\_\_

5g Buckets of Non-Shrink Grout  
@ \$ \_\_\_\_\_ per Bucket \_\_\_\_\_

Grade Rings or Brick \_\_\_\_\_

### Installation Cost

**TRACK HOE & OPERATOR**  
Equipment, Wages, Benefits  
& Taxes  
\_\_\_\_\_ hours @ \$ \_\_\_\_\_ per hr. \_\_\_\_\_

**LABORER; 1, 2, 3 MEN**  
Wages, Benefits & Taxes  
(Knock Out Holes, Set the Structure,  
Installing Frame & Grate and  
Grouting Inlets & Outlets)  
\_\_\_\_\_ hours @ \$ \_\_\_\_\_ per hr. \_\_\_\_\_

**TOTAL COST** \_\_\_\_\_

## Built-In-Place

### Materials Cost

**BRICK STRUCTURE**  
Brick \_\_\_\_\_  
Mortar \_\_\_\_\_

Frame & Grate or  
Frame, Grate & Hood \_\_\_\_\_

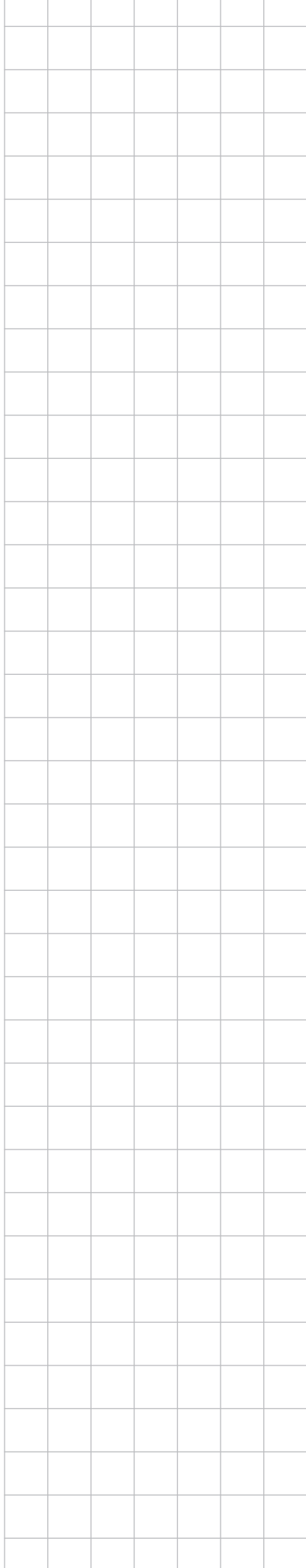
**CAST-IN-PLACE**  
Framing Lumber \_\_\_\_\_  
Concrete \_\_\_\_\_

### Installation Cost

**TRACK HOE & OPERATOR**  
Equipment, Wages, Benefits  
& Taxes  
\_\_\_\_\_ hours @ \$ \_\_\_\_\_ per hr. \_\_\_\_\_

**LABORER; 1, 2, 3 MEN**  
Wages, Benefits & Taxes  
\_\_\_\_\_ hours @ \$ \_\_\_\_\_ per hr. \_\_\_\_\_

**TOTAL COST** \_\_\_\_\_



## Nyloplast® PVC Structure



### Materials Cost

#### COMPLETE UNIT

Basin, Frame, Grate  
and Hood, ASTM  
F-477 Gasket -----

#### H-20 RATED

1/3 Cubic Yard of Concrete  
(for H-20 Rated Only) -----

### Installation Cost

#### RUBBER-TIRE BACK HOE & OPERATOR

Equipment, Wages, Benefits & Taxes  
\_\_\_\_ hours\* @ \$\_\_\_\_\_ per hr. -----

#### LABORER; 1, 2 MEN

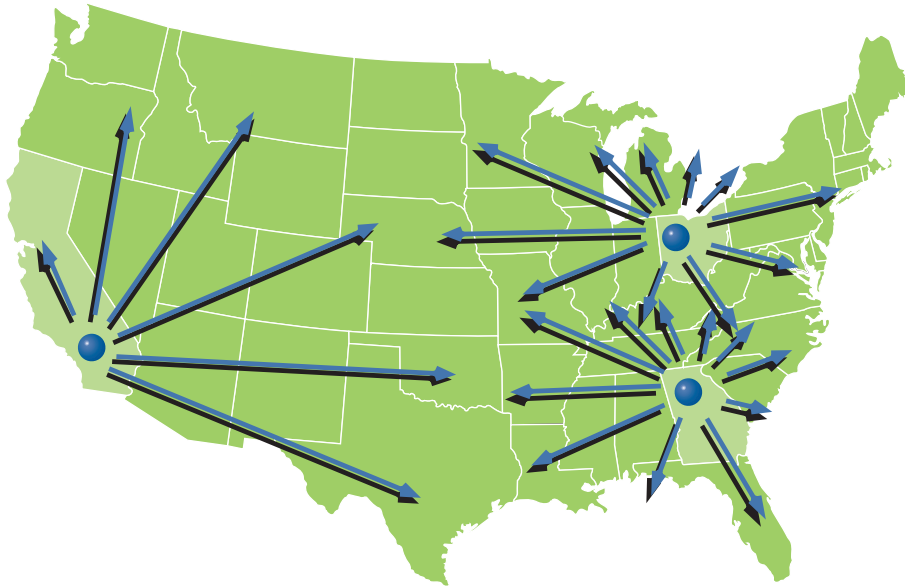
Wages, Benefits & Taxes  
\_\_\_\_ hours\* @ \$\_\_\_\_\_ per hr. -----

#### \*Hours to Install

Inline Drain	.77 hr.
Drain Basin (Non H-20 Rated)	1 hr.
Drain Basin (H-20 Rated)	1.33 hr.
Road & Highway	1.5 hr.
Curb Inlet	1.75 hr.

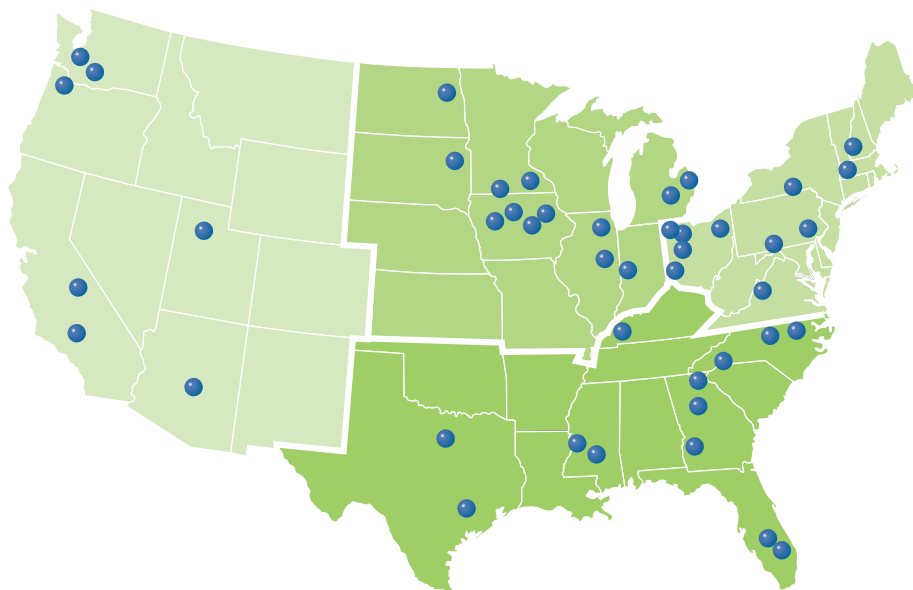
### TOTAL COST \_\_\_\_\_

# Manufacturing and Service Locations



## Strategic Nyloplast Locations

The strategic location of Nyloplast's manufacturing facilities located in Buford, Georgia, Bakersfield, California and Findlay, Ohio makes for fast arrival just about anywhere in North America. In fact, once you've worked with our products and experienced our service, we're confident you'll be impressed.



### ● ADS and Hancor Pipe Manufacturing Locations

#### Customer Service Locations

- **Northeast Zone Office** Findlay, OH • 1-888-367-7473
- **Midwest Zone Office** London, OH • 1-800-733-9554
- **Southern Zone Office** Franklin, TN • 1-800-733-9987
- **Western Zone Office** Vancouver, WA • 1-800-733-8523

## Freight Policy:

For Nyloplast structures, *freight prepaid* on orders *\$2,500 and over*, FOB Buford, GA, Bakersfield, CA or Findlay, OH. This includes any orders shipping from other facilities within the continental US.

This policy may change without notice. Always confirm Nyloplast freight policy before ordering.

## Return Policy:

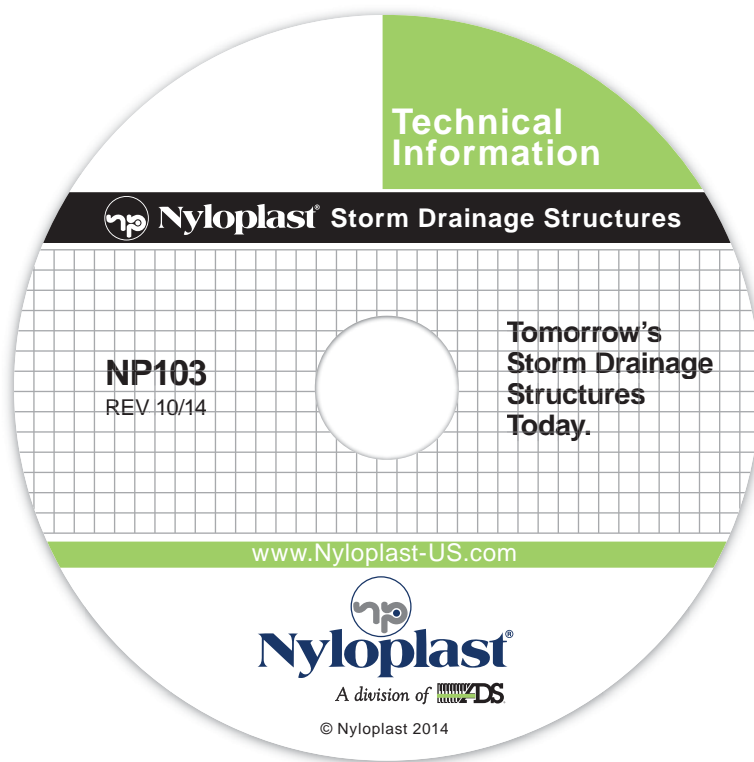
Due to the fact that each structure is custom made, drain basins, curb inlet structures, road and highway structures, EnviroHood structures, weir structures are all *Non-cancelable* and *Non-returnable*.

Returns of Inline Drains or Grates must be pre-approved by Nyloplast Management. Standard restocking fee on Inline Drains and Grates is 25%. All products should be returned to the Nyloplast plant in Buford, GA, Bakersfield, CA or Findlay, OH unless the product is a standard stocking item at the nearest pipe plant or distribution center. All return freight to be paid by customer.

---

## Interactive CD Rom Available

We are always working to improve the tools and information available for our customers. The latest interactive CD Rom gives you technical information, photographs and drawings to assist you in specifying storm drainage products for all your future projects.



For a copy of our latest CD Rom and other promotional literature please call us at: **(866) 888-8479**



ADS "Terms and Conditions of Sale" are available on the ADS website, [www.ads-pipe.com](http://www.ads-pipe.com)  
The ADS logo, N-12®, SaniTite® HP, EnviroHood™ and the Green Stripe are registered trademarks of Advanced Drainage Systems, Inc. Nyloplast® is a registered trademark of Nyloplast. INSERTA TEE® is a registered trademark of Inserta Fittings Co. Hi-Q® and Sure-Lok® are registered trademarks of Hancor, Inc. Truss®, A2000® and DuroMaxx® are registered trademarks of Contech®. GOLDFLO® is a registered trademark of Prinsco, Inc. Ultra Corr™ and Ultra Rib™ are registered trademarks of JM Eagle™. Kor-Flo™ is a registered trademark of Royal Group®. Permalok® is a registered trademark of Permalok Corporation. Pro-21® is a registered trademark of Diamond Plastics Corporation®. Vylon® is registered trademark of Prime Conduit®, Weholite® is a registered trademark of KWH Pipe. Solflo® Max is a registered trademark of Soleno. Mycelx® is a registered trademark of Mycelx Inc. FLEXSTORM™ is a registered trademark of Inlet & Pipe Protection, Inc. © 2013 Advanced Drainage Systems, Inc. (AD821014) NP120N 05/15



  
**Nyloplast**<sup>®</sup>  
A division of 

3130 Verona Avenue • Buford, Georgia 30518 • (866) 888-8479 / (770) 932-2443 - Fax: (770) 932-2490

[www.Nyloplast-US.com](http://www.Nyloplast-US.com)

Advanced Drainage Systems, Inc.  
4640 Trueman Blvd. Hilliard, OH 43026

1-800-821-6710

[www.ads-pipe.com](http://www.ads-pipe.com)

