

## DESCRIPTION

SRL is a narrow LED surface, wall or suspension mount luminaire which can be used in a broad range of commercial and industrial applications. This series is designed with the latest LED, electronic drivers and integrated controls for optimal performance. Offered with three different lenses and distributions, this series provides uniformity and is a versatile choice for general and special purpose lighting. Integrated controls are installed, tested and suitable for use with wired and wireless systems. The SRL improves installation and commissioning time making it an ideal choice for code compliance and to maximize energy efficiency.

## SPECIFICATION FEATURES

### Construction

Channel is die formed cold rolled steel with numerous KO's for ease of installation and is available in standard and continuous row options. Channel/wireway cover securely holds to the housing with sheet metal screws. Exterior end plate is used as a continuous row aligner. Decorative white injection molded end and mid-caps are provided to house the integrated controls. Wireway channel includes a groove for use the standard hanging accessories from the SN strips family.

### Controls

The SRL is Powered by Fifth Light, with a standard 10% "CD" or optional 1% "HCD" 0-10V continuous dimming driver that works with many types of controls, like dimmers, occupancy sensors, daylighting controls or lighting relay panels to maximize energy savings. For individual control and out-of-the-box energy savings, the SRL is equipped with factory-installed and pre-programmed integrated sensor system "SVPD2 or SPVD3" for occupancy, daylight dimming and manual control from within the footprint of the fixture. Expand into fully-addressable systems by specifying the Digital Addressable Lighting Interface (DALI) 10% "5LTD". Or, go wireless with the Wavelinx "SWPD1" (lowbay) option for code-compliance and easy installation, or the LumaWatt Pro powered by Enlighted options "LWIPD1" (lowbay) for a fully integrated sensor system with Internet of Things (IoT) connectivity and configurable software. See ordering information and specification supplements for details on all these control options.

### Electrical

Long-Life LED system coupled with sensor enabled electronic drivers deliver optimal lighting performance. LED's available in 3000K, 3500K, 4000K, or 5000K with a CRI ≥ 80. Projected life at 70% lumen maintenance is up to 170,000 hours with TM21 ratings of L82 > 60,000 hours. UNV, 347V and 480V drivers are available.

### Emergency Battery Pack Option

Optional 120V-277V integral emergency battery pack is available in 7-watts or 14-watts to meet critical life-safety lighting requirements. The 90-minute batteries provide constant power to the LED system, ensuring code-compliance. A test switch/indicator button can be tested safely from the ground using a laser pointer, while the patented EZKey prevents accidental discharge of the battery during construction. Emergency/generator transfer options available – see ordering information for details.

### Finish

Highly reflective post painted finish (PAF) provides optimal performance and handling. Housing is treated with a multistage iron phosphate pretreatment, ensuring maximum bonding and rust inhibition. Opaque end and mid-caps are molded in color to match the paint and have a smooth pleasing appearance

### Channel/Wireway Cover

Die formed heavy gauge steel with end plates that can be removed for continuous rows or to enable through wiring through KO. Formed tabs retain the lenses without the need for separate lens clips. Sensor coverage patterns and application versatility is enabled by factory wiring using quick connects allowing up to three drivers to be connected to each sensor. See notes for additional details.

<b>Catalog #</b>		<b>Type</b>
<b>Project</b>		
<b>Comments</b>		<b>Date</b>
<b>Prepared by</b>		

### Shielding

Lenses are specially designed for LED with lens blends and linear optics to enable three different distributions: - LC (clear for optimal efficacy), LN (semi-frost with narrow distribution) and LW (full frost with wide distribution). These lenses provide different lighting distributions allowing customers to meet their unique needs with smooth even illumination. Lens is securely held in place by removable injection-molded white end caps and onto the channel with built in lens retainers. End and mid-caps are easily removed without tools for installation and maintenance.

### Installation

Fixtures may be individually or continuous row mounted on surfaces and with suspension systems or stems. The total fixture height is less than 4 inches and will comply with ADA requirements. See accessories for ordering information.

### Compliance

Luminaires are cULus listed for -20° C to 40° C ambient environments, damp location listed, and comply with IESNA LM-79 and LM-80 standards. LM80 and Life values are typical values measured in laboratory at 25° C. DesignLights Consortium® Qualified and classified for both DLC Standard and DLC Premium, refer to www.designlights.org for details. Suitable for use in clothes closets when installed in accordance with the NEC 410.16 spacing requirements.

### Warranty

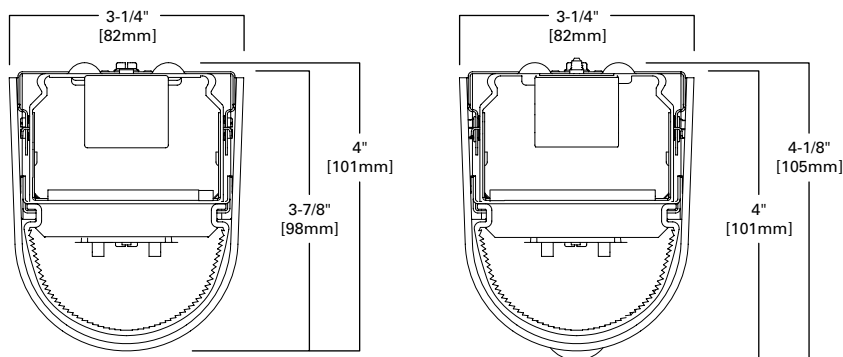
Five-year warranty.



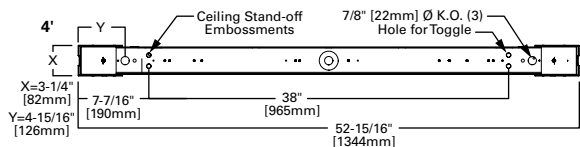
**SRL  
LED**

Lensed, Sensor-enabled  
LED Striplight



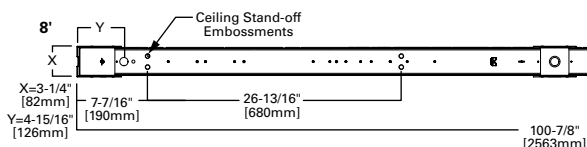


**MOUNTING DATA**



WITH SWPD1, LWP SENSORS OR WITHOUT SENSOR

WITH SPVD2/3 SENSOR



**ORDERING INFORMATION**

SAMPLE NUMBER: 4SRL-LD5-41SL-LW-UNV-L835-CD1-SPVD2-U

<p><b>Length</b> 4=4 ft. Length 8=8 ft. Length</p>	<p><b>Lens</b> LW=Full Frost Lens - Wide LC=Clear Lens LN=semi-Frost Lens - Narrow</p>	<p><b>Voltage</b> 347V=347 Volt <sup>(9)</sup> 480V=480 Volt <sup>(12)</sup> UNV=Universal Voltage 120-277 <sup>(6)</sup></p>	<p><b>Driver Type</b> CD=0-10V Dimming (10%-100% Dimming) HCD=0-10V Dimming Driver (1% - 100% Dimming) SR=Sensor Ready 0-10V Dimming Driver <sup>(11)</sup> 5LTD=Fifth Light (DALI) Driver <sup>(3), (13)</sup></p>	<p><b>Options</b> PI/CPI=Plug in and cross over plug in options <sup>(14)</sup> PC6/515P=(NEMA 5-15P) 6' Cord with NEMA Straight Plug <sup>(5), (14)</sup> PC6/L715=(NEMA L7-15P) 6' Cord with NEMA Twist Plug <sup>(5), (14)</sup></p>	<p><b>Packaging</b> U=Unit Pack</p>																																															
<p><b>Series</b> <sup>(16)</sup> SRL=Sensor enabled LED strip</p>	<p><b>Row Type</b> [Blank]=Stand alone with two endcaps CR=Continuous row with one mid cap and coupling bracket <sup>(8)</sup></p>	<p><b>Emergency</b> EL7W=7-watt, 120V-277V emergency battery pack installed <sup>(10)</sup> EL14W=14-watt 120V-277V emergency battery pack installed <sup>(10)</sup> GTR2=Bodine Generator Transfer Relay <sup>(6)</sup> ETR2=lota Emergency Transfer Relay <sup>(6)</sup> ETRD=lota Emergency Transfer Relay with dimming control <sup>(6)</sup></p>	<p><b>Number of Drivers</b> 1=1 Driver 2=2 Drivers</p>	<p><b>Sensors</b> [Blank]=End or midcap included with no sensor SPVD2=Integrated occupancy and daylight dimming sensor, 900 sq. ft. coverage <sup>(15)</sup> SPVD3=Integrated occupancy and daylight dimming sensor, 1200 sq. ft. coverage <sup>(15)</sup> LWIPD1=Integrated LumaWatt Pro Wireless Sensor System <sup>(11)</sup> SWPD1=Integrated WaveLinX Connected Lighting System <sup>(19)</sup></p>																																																
<p><b>LED Type</b> LD5=LED 5.0</p>		<p><b>CCT</b> L830=3000K L835=3500K L840=4000K L850=5000K</p>																																																		
<p><b>LED Lumen Packages</b> <sup>(1)</sup></p> <table border="1"> <tr> <td>LW</td> <td>LN</td> <td>LC</td> </tr> <tr> <td>27SL <sup>(2)</sup></td> <td>29SL <sup>(2)</sup></td> <td>30SL <sup>(2)</sup></td> </tr> <tr> <td>30SL <sup>(2)</sup></td> <td>33SL <sup>(2)</sup></td> <td>34SL <sup>(2)</sup></td> </tr> <tr> <td>34SL <sup>(2)</sup></td> <td>38SL <sup>(2)</sup></td> <td>38SL <sup>(2)</sup></td> </tr> <tr> <td>37SL <sup>(2)</sup></td> <td>41SL <sup>(2)</sup></td> <td>42SL <sup>(2)</sup></td> </tr> <tr> <td>41SL <sup>(2)</sup></td> <td>46SL <sup>(2)</sup></td> <td>47SL <sup>(2)</sup></td> </tr> <tr> <td>44SL <sup>(2)</sup></td> <td>49SL <sup>(2)</sup></td> <td>50SL <sup>(2)</sup></td> </tr> <tr> <td>47SL <sup>(2)</sup></td> <td>52SL <sup>(2)</sup></td> <td>53SL <sup>(2)</sup></td> </tr> <tr> <td>50SL <sup>(2)</sup></td> <td>55SL <sup>(2)</sup></td> <td>56SL <sup>(2)</sup></td> </tr> <tr> <td>54SL</td> <td>60SL</td> <td>61SL</td> </tr> <tr> <td>61SL <sup>(7)</sup></td> <td>67SL <sup>(7)</sup></td> <td>68SL <sup>(7)</sup></td> </tr> <tr> <td>67SL <sup>(7)</sup></td> <td>74SL <sup>(7)</sup></td> <td>75SL <sup>(7)</sup></td> </tr> <tr> <td>74SL <sup>(7), (9)</sup></td> <td>82SL <sup>(7), (9)</sup></td> <td>83SL <sup>(7), (9)</sup></td> </tr> <tr> <td>82SL <sup>(7), (9)</sup></td> <td>92SL <sup>(7), (9)</sup></td> <td>94SL <sup>(7), (9)</sup></td> </tr> <tr> <td>88SL <sup>(7), (9)</sup></td> <td>96SL <sup>(7), (9)</sup></td> <td>98SL <sup>(7), (9)</sup></td> </tr> <tr> <td>95SL <sup>(7), (9)</sup></td> <td>104SL <sup>(7), (9)</sup></td> <td>106SL <sup>(7), (9)</sup></td> </tr> </table>	LW	LN	LC	27SL <sup>(2)</sup>	29SL <sup>(2)</sup>	30SL <sup>(2)</sup>	30SL <sup>(2)</sup>	33SL <sup>(2)</sup>	34SL <sup>(2)</sup>	34SL <sup>(2)</sup>	38SL <sup>(2)</sup>	38SL <sup>(2)</sup>	37SL <sup>(2)</sup>	41SL <sup>(2)</sup>	42SL <sup>(2)</sup>	41SL <sup>(2)</sup>	46SL <sup>(2)</sup>	47SL <sup>(2)</sup>	44SL <sup>(2)</sup>	49SL <sup>(2)</sup>	50SL <sup>(2)</sup>	47SL <sup>(2)</sup>	52SL <sup>(2)</sup>	53SL <sup>(2)</sup>	50SL <sup>(2)</sup>	55SL <sup>(2)</sup>	56SL <sup>(2)</sup>	54SL	60SL	61SL	61SL <sup>(7)</sup>	67SL <sup>(7)</sup>	68SL <sup>(7)</sup>	67SL <sup>(7)</sup>	74SL <sup>(7)</sup>	75SL <sup>(7)</sup>	74SL <sup>(7), (9)</sup>	82SL <sup>(7), (9)</sup>	83SL <sup>(7), (9)</sup>	82SL <sup>(7), (9)</sup>	92SL <sup>(7), (9)</sup>	94SL <sup>(7), (9)</sup>	88SL <sup>(7), (9)</sup>	96SL <sup>(7), (9)</sup>	98SL <sup>(7), (9)</sup>	95SL <sup>(7), (9)</sup>	104SL <sup>(7), (9)</sup>	106SL <sup>(7), (9)</sup>				
LW	LN	LC																																																		
27SL <sup>(2)</sup>	29SL <sup>(2)</sup>	30SL <sup>(2)</sup>																																																		
30SL <sup>(2)</sup>	33SL <sup>(2)</sup>	34SL <sup>(2)</sup>																																																		
34SL <sup>(2)</sup>	38SL <sup>(2)</sup>	38SL <sup>(2)</sup>																																																		
37SL <sup>(2)</sup>	41SL <sup>(2)</sup>	42SL <sup>(2)</sup>																																																		
41SL <sup>(2)</sup>	46SL <sup>(2)</sup>	47SL <sup>(2)</sup>																																																		
44SL <sup>(2)</sup>	49SL <sup>(2)</sup>	50SL <sup>(2)</sup>																																																		
47SL <sup>(2)</sup>	52SL <sup>(2)</sup>	53SL <sup>(2)</sup>																																																		
50SL <sup>(2)</sup>	55SL <sup>(2)</sup>	56SL <sup>(2)</sup>																																																		
54SL	60SL	61SL																																																		
61SL <sup>(7)</sup>	67SL <sup>(7)</sup>	68SL <sup>(7)</sup>																																																		
67SL <sup>(7)</sup>	74SL <sup>(7)</sup>	75SL <sup>(7)</sup>																																																		
74SL <sup>(7), (9)</sup>	82SL <sup>(7), (9)</sup>	83SL <sup>(7), (9)</sup>																																																		
82SL <sup>(7), (9)</sup>	92SL <sup>(7), (9)</sup>	94SL <sup>(7), (9)</sup>																																																		
88SL <sup>(7), (9)</sup>	96SL <sup>(7), (9)</sup>	98SL <sup>(7), (9)</sup>																																																		
95SL <sup>(7), (9)</sup>	104SL <sup>(7), (9)</sup>	106SL <sup>(7), (9)</sup>																																																		



**STRIP ACCESSORIES**

- (Order Separately)
- GRP-SNF-U=T-bar grid hanger
- AYC-Chain/Set=36" Chain Hanger  
(Use 1 set per fixture)
- SCF=Fixed Stem Set (Specify Length)
- SCS=Swivel Stem Set (Specify Length)
- EYE CHAIN SET/3FT=Eye Bolt Chain  
(Use 1 set per fixture)
- A1B/Spacer-U=Spacer 1-1/2" to 2-1/2" from ceiling  
(Use 2 Per Fixture)
- TOGGLE=Single Toggle No. 2 (Specify Length)
- Y-TOGGLE=Y Toggle No. 2 (Specify Length)
- ATG SNF-4-U=Tong hanger

**SRL SPECIFIC SPARE PARTS/ACCESSORIES**

- (Order Separately)
- CLC-SRL-EXT-B=Continuous row external bracket
- SRL-BEC=Blank End Cap, No hole for Sensor
- SRL-WCLEC=WaveLinX end cap
- SRL-LWPEC=LumaWatt Pro End Cap
- SRL-SPVD23LEEC=Integrated SPVD2 or SPVD3 Sensor endcap
- SRL-BMC=Blank Mid Cap
- SRL-WCLMC=WaveLinX Mid Cap
- SRL-LWPMC=LumaWatt Pro Mid Cap
- SRL-SPVD23LMC=Integrated SPVD2 or SPVD3 Mid Cap
- SRL-LENS-LW=Replacement Wide Lens
- SRL-LENS-LN=Replacement Narrow Lens
- SRL-LENS-LC=Replacement Clear Lens
- ISHH-01=Programming Remote for SPVD Integrated Sensor
- ISHH-02=Personal Remote for SPVD Integrated Sensor

NOTES: <sup>(1)</sup> Nominal lumen output. See table for actual lumens. <sup>(2)</sup> Available in 4 foot only. <sup>(3)</sup> Compatible with Fifth Light or other DALI systems only. Integrated sensor options not available. For a complete listing of Fifth Light products, visit [www.eaton.com/lightingsystems](http://www.eaton.com/lightingsystems). <sup>(4)</sup> DesignLights Consortium® Qualified and classified for DLC Standard (all lumen packages), refer to [www.designlights.org](http://www.designlights.org) for details. <sup>(5)</sup> Most common C&P shown. Must specify location for cord. All "end" locations will be on the end with sensor installed. <sup>(6)</sup> Used to bypass local control during outage. Must be used in conjunction with UL 1008 device (provided by others). GTR2 and ETR2 options include 2 relays on fixtures with dimming drivers. ETRD option only requires one relay when used on a dimming fixture. Must specify voltage as 120V or 277V when ordering these devices. <sup>(7)</sup> Available in 8 foot only. <sup>(8)</sup> For continuous row application, select one standard fixture and the rest as continuous row (-CR). See instruction booklet for additional information. <sup>(9)</sup> At 347V, two drivers required for lumen packages identified. <sup>(10)</sup> With integral test switch/indicator/laser test. For approximate delivered lumens multiply the lumens per watt of the desired fixture by the wattage of the emergency battery pack (100lm/W x 7 = 700 lumens). <sup>(11)</sup> Must specify SR driver for this option. See LumaWatt Pro spec sheet for additional details. <sup>(12)</sup> 4 ft, 480V option cannot be selected in combination with battery. <sup>(13)</sup> Requires two drivers for 7400 - 10,600 lumens. <sup>(14)</sup> Consult tech support on numerous options for this feature. <sup>(15)</sup> Compatible with "CD" and "HCD" drivers. <sup>(16)</sup> DesignLights Consortium® Qualified and classified for both DLC Standard and DLC Premium, refer to [www.designlights.org](http://www.designlights.org) for details.

Specifications & dimensions subject to change without notice. Consult your Eaton Representative for availability and ordering information.

**SHIPPING DATA**

Length.	Wt.
4 ft., 8 in.	8.2 lbs.
8 ft., 8 in.	15.1 lbs.



Eaton  
1121 Highway 74 South  
Peachtree City, GA 30269  
P: 770-486-4800  
[www.eaton.com/lighting](http://www.eaton.com/lighting)

Specifications and  
dimensions subject to  
change without notice.

## WATTAGE

Lens Type	Length	Catalog Logic*	Lumens	Wattage	lm/W
Full Frost (LW)	4 ft.	4SRL-LD5-27SL-LW-UNV-L835-CD1-U	2686	20.2	133
Full Frost (LW)	4 ft.	4SRL-LD5-30SL-LW-UNV-L835-CD1-U	3037	23.2	131
Full Frost (LW)	4 ft.	4SRL-LD5-34SL-LW-UNV-L835-CD1-U	3459	26.9	129
Full Frost (LW)	4 ft.	4SRL-LD5-37SL-LW-UNV-L835-CD1-U	3765	29.6	127
Full Frost (LW)	4 ft.	4SRL-LD5-41SL-LW-UNV-L835-CD1-U	4188	33.7	124
Full Frost (LW)	4 ft.	4SRL-LD5-44SL-LW-UNV-L835-CD1-U	4487	36.7	122
Full Frost (LW)	4 ft.	4SRL-LD5-47SL-LW-UNV-L835-CD1-U	4778	39.9	120
Full Frost (LW)	4 ft.	4SRL-LD5-50SL-LW-UNV-L835-CD1-U	5065	43.1	118
Full Frost (LW)	4 ft.	4SRL-LD5-54SL-LW-UNV-L835-CD1-U	5478	47.0	116
Full Frost (LW)	8 ft.	8SRL-LD5-54SL-LW-UNV-L835-CD1-U	5372	40.3	133
Full Frost (LW)	8 ft.	8SRL-LD5-61SL-LW-UNV-L835-CD1-U	6125	46.2	133
Full Frost (LW)	8 ft.	8SRL-LD5-67SL-LW-UNV-L835-CD1-U	6744	53.7	126
Full Frost (LW)	8 ft.	8SRL-LD5-74SL-LW-UNV-L835-CD1-U	7466	57.3	130
Full Frost (LW)	8 ft.	8SRL-LD5-82SL-LW-UNV-L835-CD1-U	8376	67.4	124
Full Frost (LW)	8 ft.	8SRL-LD5-88SL-LW-UNV-L835-CD1-U	8808	73.4	120
Full Frost (LW)	8 ft.	8SRL-LD5-95SL-LW-UNV-L835-CD1-U	9530	79.7	120

Semi Frost (LN)	4 ft.	4SRL-LD5-29SL-LN-UNV-L835-CD1-U	2947	20.2	146
Semi Frost (LN)	4 ft.	4SRL-LD5-33SL-LN-UNV-L835-CD1-U	3332	23.2	144
Semi Frost (LN)	4 ft.	4SRL-LD5-38SL-LN-UNV-L835-CD1-U	3795	26.9	141
Semi Frost (LN)	4 ft.	4SRL-LD5-41SL-LN-UNV-L835-CD1-U	4131	29.6	140
Semi Frost (LN)	4 ft.	4SRL-LD5-46SL-LN-UNV-L835-CD1-U	4595	33.7	136
Semi Frost (LN)	4 ft.	4SRL-LD5-49SL-LN-UNV-L835-CD1-U	4923	36.7	134
Semi Frost (LN)	4 ft.	4SRL-LD5-52SL-LN-UNV-L835-CD1-U	5242	39.9	132
Semi Frost (LN)	4 ft.	4SRL-LD5-55SL-LN-UNV-L835-CD1-U	5557	43.1	129
Semi Frost (LN)	4 ft.	4SRL-LD5-60SL-LN-UNV-L835-CD1-U	6010	47.0	128
Semi Frost (LN)	8 ft.	8SRL-LD5-60SL-LN-UNV-L835-CD1-U	5894	40.3	146
Semi Frost (LN)	8 ft.	8SRL-LD5-67SL-LN-UNV-L835-CD1-U	6720	46.2	145
Semi Frost (LN)	8 ft.	8SRL-LD5-74SL-LN-UNV-L835-CD1-U	7399	53.7	138
Semi Frost (LN)	8 ft.	8SRL-LD5-82SL-LN-UNV-L835-CD1-U	8192	57.3	143
Semi Frost (LN)	8 ft.	8SRL-LD5-92SL-LN-UNV-L835-CD1-U	9190	67.4	136
Semi Frost (LN)	8 ft.	8SRL-LD5-96SL-LN-UNV-L835-CD1-U	9664	73.4	132
Semi Frost (LN)	8 ft.	8SRL-LD5-104SL-LN-UNV-L835-CD1-U	10456	79.7	131

Clear (LC)	4 ft.	4SRL-LD5-30SL-LC-UNV-L835-CD1-U	3007	20.2	149
Clear (LC)	4 ft.	4SRL-LD5-34SL-LC-UNV-L835-CD1-U	3400	23.2	147
Clear (LC)	4 ft.	4SRL-LD5-38SL-LC-UNV-L835-CD1-U	3872	26.9	144
Clear (LC)	4 ft.	4SRL-LD5-42SL-LC-UNV-L835-CD1-U	4214	29.6	142
Clear (LC)	4 ft.	4SRL-LD5-47SL-LC-UNV-L835-CD1-U	4688	33.7	139
Clear (LC)	4 ft.	4SRL-LD5-50SL-LC-UNV-L835-CD1-U	5023	36.7	137
Clear (LC)	4 ft.	4SRL-LD5-53SL-LC-UNV-L835-CD1-U	5348	39.9	134
Clear (LC)	4 ft.	4SRL-LD5-56SL-LC-UNV-L835-CD1-U	5670	43.1	132
Clear (LC)	4 ft.	4SRL-LD5-61SL-LC-UNV-L835-CD1-U	6132	47.0	130
Clear (LC)	8 ft.	8SRL-LD5-61SL-LC-UNV-L835-CD1-U	6013	40.3	149
Clear (LC)	8 ft.	8SRL-LD5-68SL-LC-UNV-L835-CD1-U	6856	46.2	148
Clear (LC)	8 ft.	8SRL-LD5-75SL-LC-UNV-L835-CD1-U	7549	53.7	141
Clear (LC)	8 ft.	8SRL-LD5-83SL-LC-UNV-L835-CD1-U	8358	57.3	146
Clear (LC)	8 ft.	8SRL-LD5-94SL-LC-UNV-L835-CD1-U	9376	67.4	139
Clear (LC)	8 ft.	8SRL-LD5-98SL-LC-UNV-L835-CD1-U	9860	73.4	134
Clear (LC)	8 ft.	8SRL-LD5-106SL-LC-UNV-L835-CD1-U	10668	79.7	134

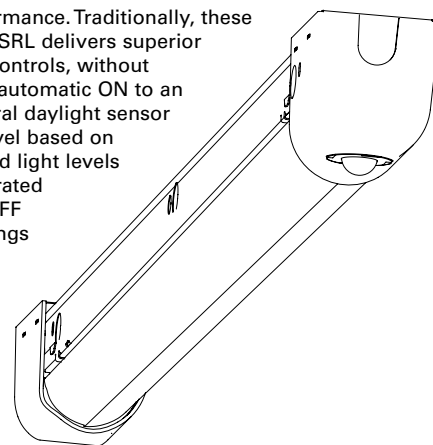
**Note:** These values are for 3500K at an input voltage at 120V.

\*Sensor options not shown and do not affect lumen output.



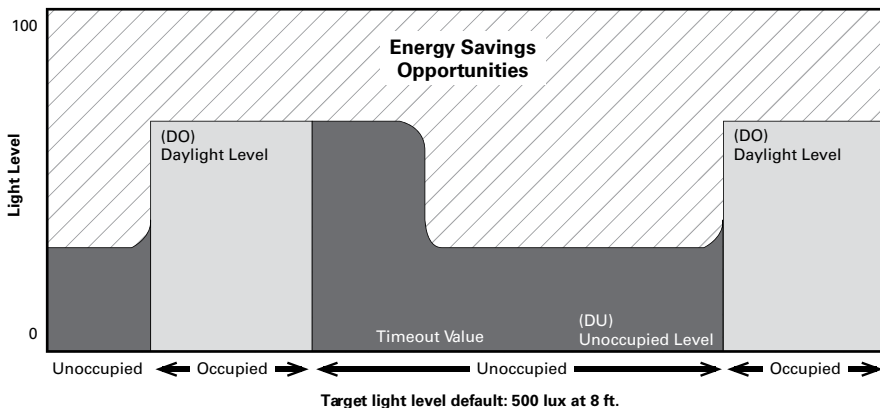
## INTEGRATED SENSOR

The SRL with Integrated Sensor technology provides automatic energy savings without sacrificing performance. Traditionally, these types of energy savings required coordination between the luminaire and a lighting control system. The SRL delivers superior lighting with integrated occupancy and daylighting controls. Capture the benefits of traditional lighting controls, without complicated coverage planning or special wiring. Ideal for new construction or retrofit, the SRL delivers automatic ON to an energy saving light level, while ensuring lighting is turned OFF when the space is unoccupied. The integral daylight sensor reduces the need for special daylight zone planning. Each luminaire will automatically adjust the light level based on reflected light beneath the sensor in a closed loop method. Occupied daylight light levels and unoccupied light levels can be adjusted using the integrated sensor programming remote (Catalog Number: ISHH-01). The integrated sensor personal remote (Catalog Number: ISHH-02) provides code compliant manual raise, lower, ON, OFF control. The SRL with Integrated Sensor is easy to install with no special wiring and ensures energy savings out-of-the-box with default control settings.



### How it works:

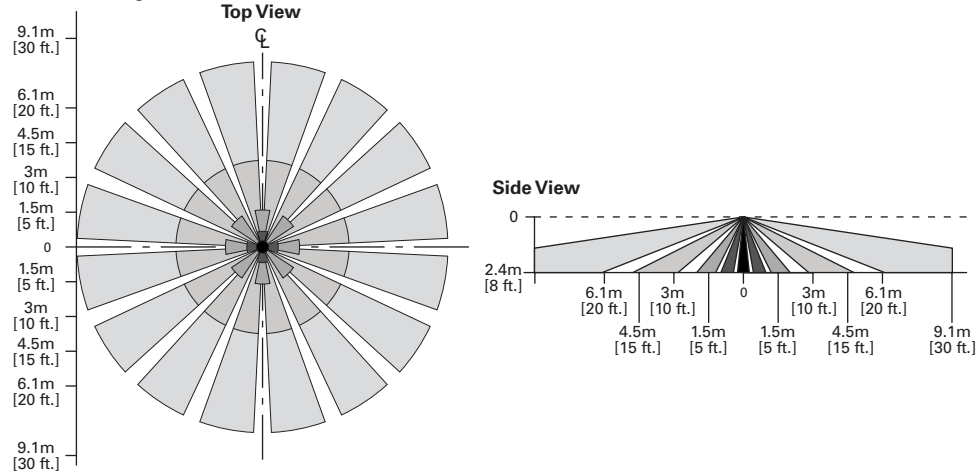
- As the user enters the space controlled by the integral sensor, the lighting turns ON to the default daylight level.
- Lighting will remain at that the daylight level until the space is unoccupied. This will start the occupancy timeout period (default 20 minutes).
- If the space remains unoccupied for half of the timeout period, the lighting will automatically reduce to the Energy Saver light level. This adjustable light level is typically half of the occupied daylight level.
- At the end of the timeout period the lighting will go to the unoccupied light level. This adjustable light level reduces to 50% by default.



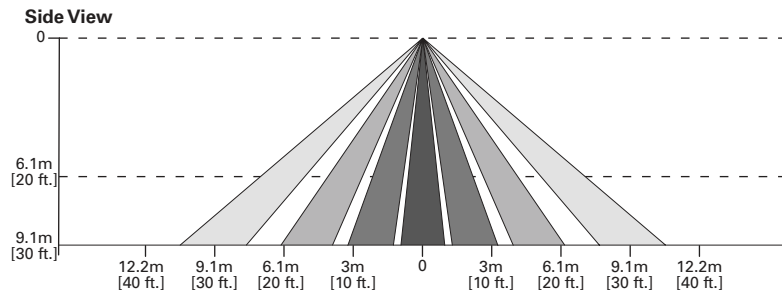
Coverage Patterns next page

SENSOR DETAILS - SRL

SVPD2 Coverage Pattern



SVPD3, SVP3 Coverage Pattern



Optional Remote Controls



ISHH-01 Programming Remote



ISHH-02 Personal Control Remote