

# Metering Valves



## S, M, L, and 31 Series

- Straight-pattern flow coefficients ( $C_v$ ) from 0.004 to 0.16
- Low- and high-pressure service
- Repeatable vernier handles available
- Brass and 316 stainless steel materials

## Features

### Low-Pressure Valves (S, M, and L Series)

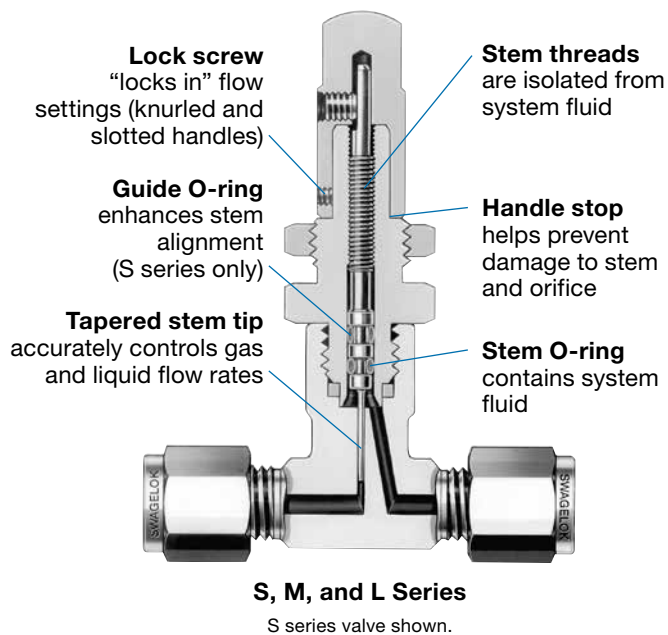
- Straight-pattern flow coefficients ( $C_v$ ) from 0.004 to 0.16
- Forged-body 316 SS or brass construction
- Straight, angle, cross, and double patterns
- Panel mounting
- Knurled, round, vernier, slotted, and adjustable-torque handles
- Swagelok® tube fitting, male NPT, and integral VCR® fitting end connections

### Technical Data

Series	Pressure-Temperature Ratings		Orifice in. (mm)	Shutoff Service	Stem Taper (Included Angle)
	Temperature °F (°C)	Working Pressure psig (bar)			
S	-10 to 400 (-23 to 204)	2000 (137)	0.032 (0.81)	No	1°
M	-fluorocarbon FKM O-rings; -10 to 300 (-23 to 148)	1000 (68.9) <sup>①</sup>	0.056 (1.42)	No	3°
L	-Buna N O-rings		0.128 (3.25)	Yes <sup>②</sup>	6°

① Downstream pressure 500 psig (34.4 bar) max when valve requires adjustment at pressure due to strength limitations of the fine-pitch threads and high operating torque.

② Stainless steel L series valves are not recommended for shutoff in vacuum or gas service, or for repetitive shutoff in liquid service.



### High-Pressure Valves (31 Series)

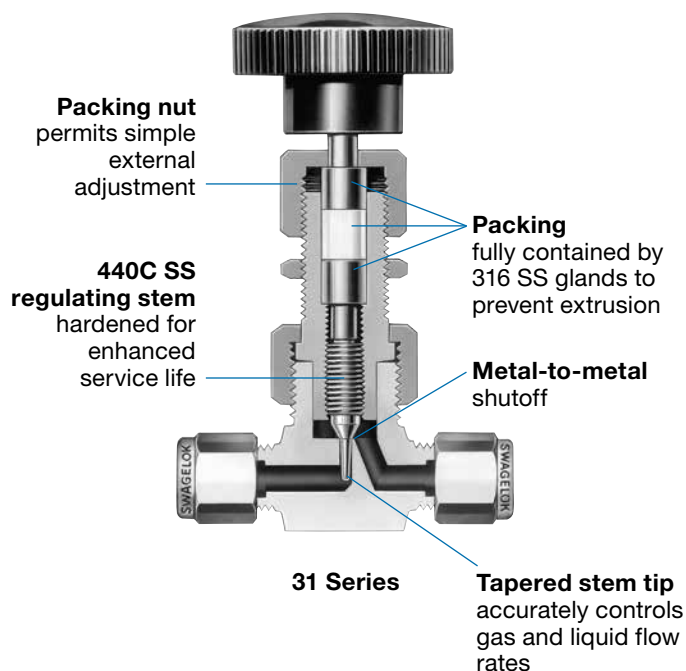
- Flow coefficient of 0.04; orifice of 0.062 in. (1.6 mm)
- 316 SS bar stock body
- Straight and angle patterns
- Metal-to-metal shutoff
- 2° stem taper (included angle)
- Panel mounting
- Round phenolic handle
- Swagelok tube fitting and female NPT end connections

### Pressure-Temperature Ratings

Ratings based on optional Grafoil® packing.

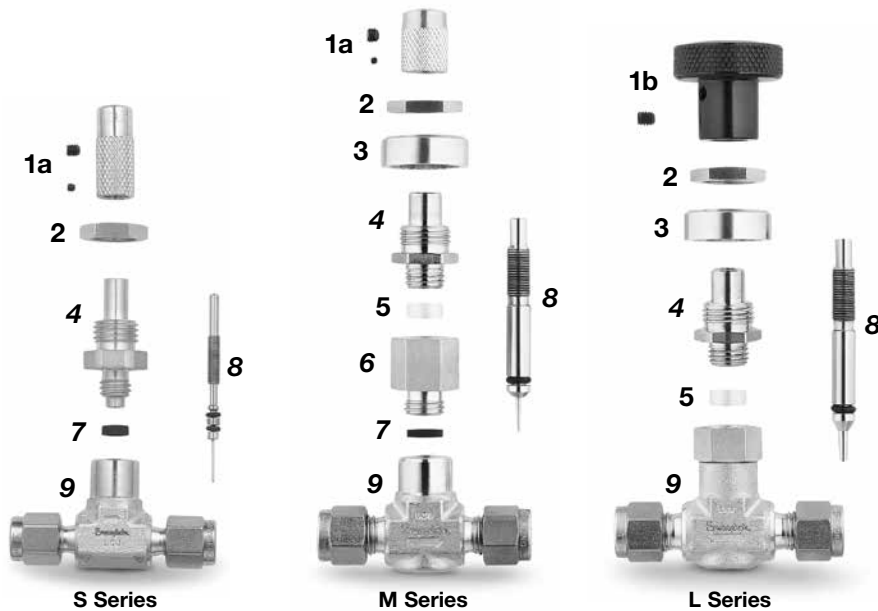
Ratings limited to 450°F (232°C) at 3435 psig (236 bar) with standard PTFE packing.

ASME Class	2080
Material Group	2.2
Material Name	316 SS
Temperature, °F (°C)	Working Pressure, psig (bar)
-65 (-53) to 100 (37)	5000 (344)
200 (93)	4295 (295)
300 (148)	3875 (266)
400 (204)	3560 (245)
450 (232)	3435 (236)
500 (260)	3310 (228)
600 (315)	3130 (215)
650 (343)	3080 (212)
700 (371)	3000 (206)
750 (398)	2930 (201)
800 (426)	2880 (198)
850 (454)	2815 (193)

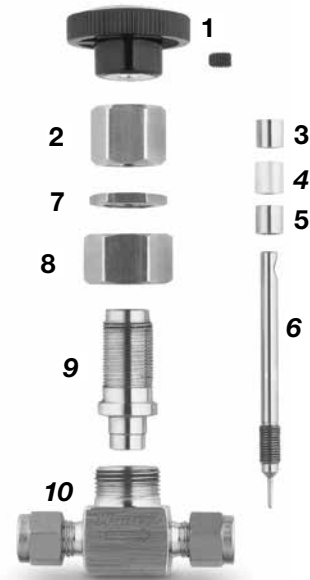


## Materials of Construction

### Low-Pressure Valves (S, M, and L Series)



### High-Pressure Valves (31 Series)



Component	Valve Body Materials	
	Brass	316 SS
	Material Grade/ASTM Specification	
1a Handle	Silver-mist chrome-plated brass 360/B16	300 SS/A276
Handle screw Lock screw <sup>①</sup>	Black oxide and light oil-coated alloy steel/ANSI 18.3	
1b Handle	Green anodized aluminum 6061-T651/B211	
Handle screw	Black oxide and light oil-coated alloy steel/ANSI 18.3	
2 Panel mount nut	Silver-mist chrome-plated brass 360/B16	316 SS/A479—S, M; 316 SS/B783—L
3 Bonnet sleeve	Sintered 316 SS	
4 Bonnet	<i>Silver-mist chrome-plated brass 345/B453</i>	316 SS/A479
5 Stem guide ring	Glass-filled PTFE	
6 Body extension <sup>②</sup>	<i>Silver-mist chrome-plated brass 345/B453</i>	316 SS/A479
7 Body seal <sup>③</sup>	<i>Buna N</i>	<i>Fluorocarbon FKM</i>
8 Stem	<i>S17400 SS/A564—S; 316 SS/A479—M, L</i>	<i>Hard chrome-plated S17400 SS/A564—S; Hard chrome-plated 316 SS/A479—M, L</i>
O-rings	<i>Buna N</i>	<i>Fluorocarbon FKM</i>
9 Body	<i>Silver-mist chrome-plated brass 377/B283</i>	316 SS/A182
Lubricants	<i>Molybdenum disulfide-based; silicone-based</i>	

Component	Material Grade/ ASTM Specification
1 Handle	Phenolic/D4617
Set screw	18-8 SS
2 Packing nut	316 SS/A276
3 Upper gland	
4 Packing	PTFE/D1710
5 Lower gland	316 SS/A276
6 Stem	440C SS/A276
7 Panel nut	316 SS/B783
8 Union nut	316 SS/A276
9 Bonnet	316 SS/A479
10 Body	
Lubricant	<i>Nickel antiseize with hydrocarbon carrier</i>

Wetted components listed in *italics*.

① Anaerobic-type adhesive.

② Straight and double-pattern M series valves.

③ Angle and cross-pattern M series valves do not contain a body seal.

## Testing

Every Swagelok S, M, and L series metering valve is factory tested with nitrogen at 1000 psig (69 bar). Shell testing is performed to a requirement of no detectable leakage with a liquid leak detector.

Every Swagelok L series metering valve is tested for bubble-tight seat shutoff at 100 psig (6.8 bar) differential pressure.

Every Swagelok 31 series needle valve is factory tested with nitrogen at 1000 psig (69 bar). Seats have a maximum allowable leak rate of 0.1 std cm<sup>3</sup>/min.

## Cleaning and Packaging

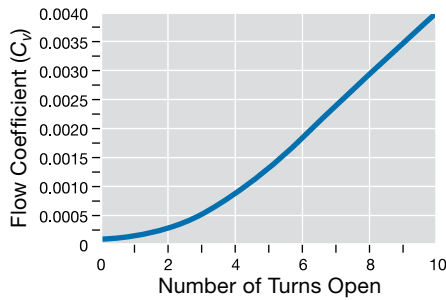
Swagelok metering valves with VCR end connections are processed in accordance with Swagelok *Special Cleaning and Packaging (SC-11)* catalog, [MS-06-63](#), to ensure compliance with product cleanliness requirements stated in ASTM G93 Level C.

Swagelok metering valves with other end connections are processed in accordance with Swagelok *Standard Cleaning and Packaging (SC-10)* catalog, [MS-06-62](#), special cleaning and packaging are available as an option.

## Flow Data at 70°F (20°C)

### S Series

#### Flow Coefficient at Turns Open



#### Maximum Flow—0.004 C<sub>v</sub>

Pressure Drop to Atmosphere psi (bar)	Air Flow std ft <sup>3</sup> /min (std L/min)	Water Flow U.S. gal/min (L/min)
10 (0.68)	0.04 (1.1)	0.01 (0.03)
50 (3.4)	0.10 (2.8)	0.02 (0.07)
100 (6.8)	0.20 (5.6)	0.04 (0.15)

#### Factory Flow Setting

The handle stop is set at 4 to 10 std cm<sup>3</sup>/min with 15 psig (1.0 bar) inlet pressure.

**Adjusting stop to lower flow setting can damage valve and stem tip.**

## Ordering Information

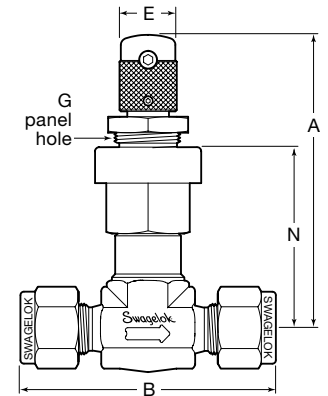
Select an ordering number.

### S, M, and L Series

For brass S, M, and L series valves, replace **SS** with **B**.

Example: **B-SS1**

#### Straight Pattern



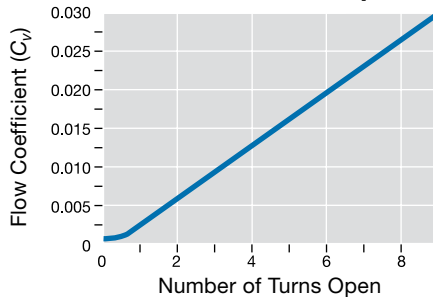
M series valve shown.

S series—0.16 in. (4.1 mm) maximum panel thickness.

M and L series—0.13 in. (3.3 mm) maximum panel thickness.

### M Series

#### Flow Coefficient at Turns Open



#### Maximum Flow—0.03 C<sub>v</sub>

Pressure Drop to Atmosphere psi (bar)	Air Flow std ft <sup>3</sup> /min (std L/min)	Water Flow U.S. gal/min (L/min)
10 (0.68)	0.33 (9.3)	0.09 (0.34)
50 (3.4)	0.90 (25.4)	0.21 (0.79)
100 (6.8)	1.5 (42.4)	0.30 (1.1)

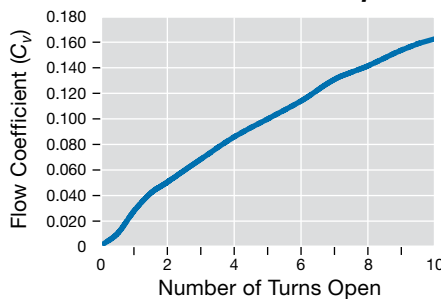
### 31 Series

For angle-pattern 31 series valves, add **-A** to the ordering number.

Example: **SS-31RS4-A**

### L Series

#### Flow Coefficient at Turns Open

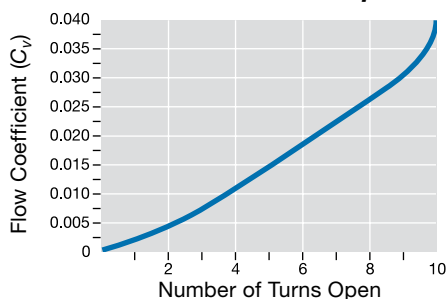


#### Maximum Flow—0.16 C<sub>v</sub>

Pressure Drop to Atmosphere psi (bar)	Air Flow std ft <sup>3</sup> /min (std L/min)	Water Flow U.S. gal/min (L/min)
10 (0.68)	2.0 (56.6)	0.51 (1.9)
50 (3.4)	6.4 (181)	1.2 (4.5)
100 (6.8)	11.4 (323)	1.7 (6.4)

### 31 Series

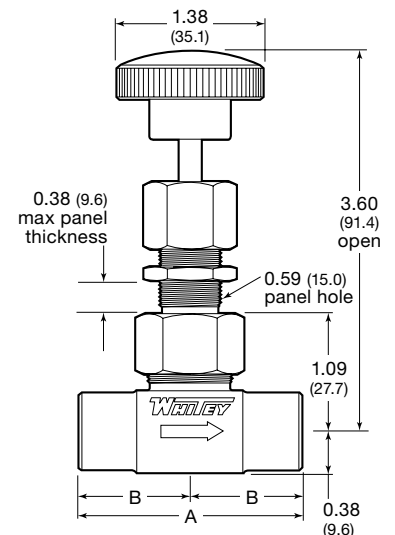
#### Flow Coefficient at Turns Open



#### Maximum Flow—0.04 C<sub>v</sub>

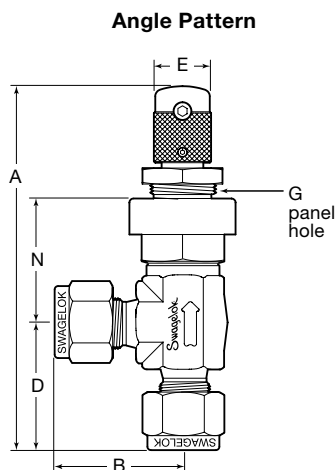
Pressure Drop to Atmosphere psi (bar)	Air Flow std ft <sup>3</sup> /min (std L/min)	Water Flow U.S. gal/min (L/min)
10 (0.68)	0.45 (12.7)	0.12 (0.45)
50 (3.4)	1.2 (33.9)	0.28 (1.0)
100 (6.8)	2.1 (59.4)	0.40 (1.5)

#### Straight Pattern

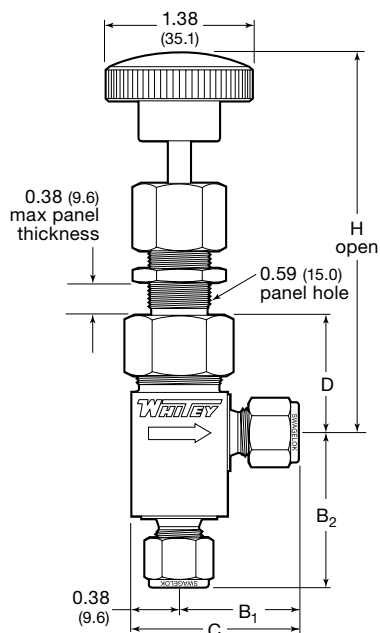


## Dimensions

Dimensions, in inches (millimeters), are for reference only and are subject to change.



Angle Pattern



End Connections		Ordering Number	Dimensions, in. (mm)						
Inlet/Outlet	Size		A	B	D	E	G	N	
<b>S series straight pattern</b>									
Swagelok tube fittings	1/16 in.	SS-SS1	2.34 (59.4)	1.56 (39.6)	—	0.38 (9.6)	0.45 (11.4)	0.92 (23.4)	
	1/8 in.	SS-SS2		1.90 (48.3)					
	1/4 in.	SS-SS4		2.04 (51.8)					
	3 mm	SS-SS3MM		1.90 (48.3)					
Male VCR fittings	1/4 in.	SS-SVR4		2.04 (51.8)					
				2.06 (52.3)					
<b>S series angle pattern</b>									
Swagelok tube fittings	1/16 in.	SS-SS1-A	3.22 (81.8)	0.81 (20.6)	0.88 (22.4)	0.38 (9.6)	0.45 (11.4)	0.92 (23.4)	
	1/8 in.	SS-SS2-A	3.32 (84.3)	0.98 (24.9)					
	1/4 in.	SS-SS4-A	3.36 (85.3)	1.02 (25.9)					
	3 mm	SS-SS3MM-A	3.32 (84.3)	0.98 (24.9)	0.99 (25.1)				
Male NPT/Swagelok tube fitting	1/8 in.	SS-SM2-S2-A	3.07 (78.0)	0.98 (24.9)					
<b>M series straight pattern</b>									
Swagelok tube fittings	1/8 in.	SS-2MG	2.78 (70.6)	2.02 (51.3)	—	0.50 (12.7)	0.58 (14.7)	1.56 (39.6)	
	1/4 in.	SS-4MG		2.20 (55.9)					
	3 mm	SS-3MG-MM		2.02 (51.3)					
	6 mm	SS-6MG-MM		2.20 (55.9)					
Male NPT	1/8 in.	SS-2MG2		1.50 (38.1)					
	1/4 in.	SS-4MG2		1.96 (49.8)					
Female NPT	1/8 in.	SS-2MG4		1.94 (49.3)					
Male VCR fittings	1/4 in.	SS-MGVR4		2.06 (52.3)					
<b>M series angle pattern</b>									
Swagelok tube fittings	1/8 in.	SS-2MA	3.30 (83.8)	1.01 (25.7)	0.50 (12.7)	0.58 (14.7)	1.07 (27.2)		
	1/4 in.	SS-4MA	3.39 (86.1)	1.10 (27.9)					
	3 mm	SS-3MA-MM	3.30 (83.8)	1.01 (25.7)					
	6 mm	SS-6MA-MM	3.39 (86.1)	1.10 (27.9)					
Male NPT	1/8 in.	SS-2MA2	3.04 (77.2)	0.75 (19.1)					
	1/4 in.	SS-4MA2	3.27 (83.1)	0.98 (24.9)	1.02 (25.9)				
Male NPT/Swagelok tube fitting	1/8 in.	SS-2MA1	3.04 (77.2)	1.01 (25.7)	0.75 (19.1)				
Female NPT	1/8 in.	SS-2MA4	3.26 (82.8)	0.97 (24.6)					
<b>L series straight pattern</b>									
Swagelok tube fittings	1/4 in.	SS-4L	2.82 (71.6)	2.34 (59.4)	—	1.13 (28.7)	0.58 (14.7)	1.26 (32.0)	
	3/8 in.	SS-6L		2.46 (62.5)					
	6 mm	SS-6L-MM		2.34 (59.4)					
Male NPT	1/4 in.	SS-4L2		2.00 (50.8)					
<b>L series angle pattern</b>									
Swagelok tube fittings	1/4 in.	SS-4LA	3.77 (95.8)	1.17 (29.7)	1.13 (28.7)	0.58 (14.7)	1.04 (26.4)		
	6 mm	SS-6LA-MM							

End Connections		Ordering Number	Dimensions, in. (mm)						
Type	Size		A	B	B <sub>1</sub>	B <sub>2</sub>	C	D	H
<b>31 series</b>									
Swagelok tube fitting	1/4 in.	SS-31RS4	2.40 (61.0)	1.20 (30.5)	1.16 (29.5)	1.48 (37.6)	1.54 (39.1)	1.09 (27.7)	3.60 (91.4)
	6 mm	SS-31RS6MM							
Female NPT	1/8 in.	SS-31RF2	2.00 (50.8)	1.00 (25.4)	0.91 (23.1)	1.00 (25.4)	1.28 (32.5)	3.80 (96.5)	
	1/4 in.	SS-31RF4	2.06 (52.3)	1.03 (26.2)					

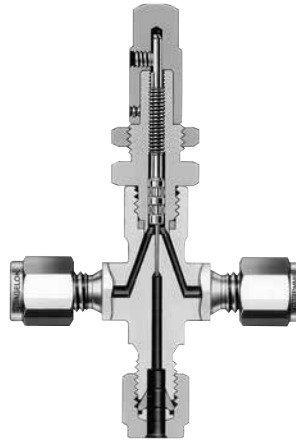
Dimensions shown with Swagelok tube fitting nuts finger-tight.

## Options and Accessories

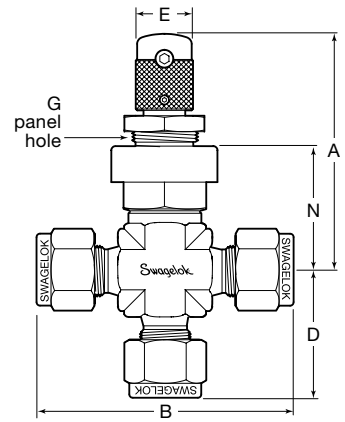
### Cross Pattern

#### S and M Series

- Fluid flows between side ports around stem in any stem position.
- Flow through branch port can be metered in both directions.



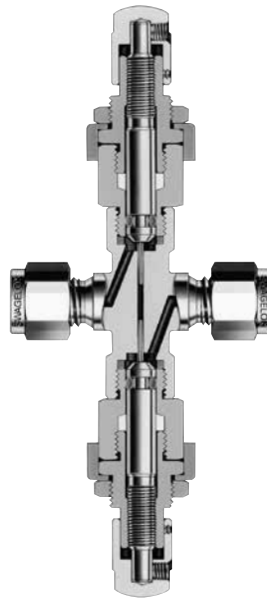
S series valve shown.



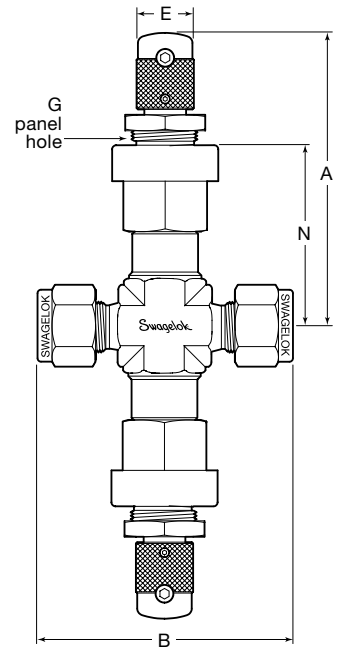
### Double Pattern

#### S and M Series

- Inlet valve handle can be set and locked at desired maximum flow.
- Outlet valve handle can be used for fine flow control up to the preset maximum of the inlet valve.



M series valve shown.



## Ordering Information and Dimensions

Select an ordering number. For brass valves, replace **SS** with **B**.

Example: **B-SS2-X**

Dimensions are for reference only and are subject to change.

Valve Pattern	End Connections		C <sub>v</sub>	Ordering Number	Dimensions, in. (mm)					
	Type	Size			A	B	D	E	G	N
<b>S series</b>										
Cross	Swagelok tube fitting	1/8 in.	0.004	SS-SS2-X	3.32 (84.3)	1.96 (49.8)	0.98 (24.9)	0.38 (9.6)	0.45 (11.4)	0.92 (23.4)
Double		1/8 in.	0.003	SS-SS2-D	2.34 (59.4)	1.90 (48.3)	—			
<b>M series</b>										
Cross	Swagelok tube fitting	1/4 in.	0.03	SS-4MX	3.39 (86.1)	1.10 (27.9)		0.50 (12.7)	0.58 (14.7)	1.07 (27.2)
Double		1/4 in.	0.026	SS-4MGD	2.78 (70.6)	2.20 (55.9)	—			1.56 (39.6)

Dimensions shown with Swagelok tube fitting nuts finger-tight.



## Options and Accessories

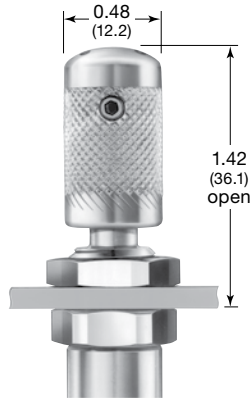
### Vernier Handle

S, M, and L Series



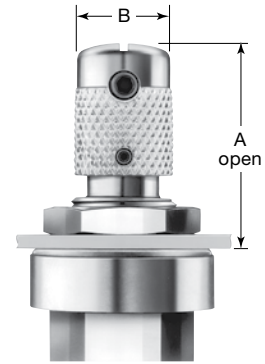
### Adjustable-Torque Handle

S Series



### Slotted Handle

S and M Series



M series valve shown.

Dimensions, in inches (millimeters), are for reference only and are subject to change.

- Helps ensure repeatable flow adjustments.
- Provides readings accurate to 1/25 turn.

To order, add **-VH** to an S series ordering number or **-MH** to an M or L series ordering number.

Examples: SS-SS1-VH  
SS-2MG-MH

#### Vernier Handle Kits

Kits contain all parts necessary to add a vernier handle to an existing valve.

Series	Kit Ordering Number
S	NY-5K-S
M	NY-2M-K6
L	

- Enhances control for setting flows.
- Features PTFE packing and two top-mounted torque adjustment screws.
- Is available in stainless steel material on stainless steel valves and in chrome-plated brass on brass valves, as standard.

To order, add **-OH** to the ordering number.

Example: SS-SS1-OH

#### Adjustable-Torque Handle Kits

Kits contain all parts necessary to add an adjustable-torque handle to an existing valve.

Valve Material	Kit Ordering Number
Stainless steel	SS-5K-S-OH
Brass	B-5K-S-OH

- Allows flow setting adjustment with a screwdriver.
- Is for use in installations where handle is not easily accessible.
- Is available in stainless steel material on stainless steel valves and in chrome-plated brass on brass valves, as standard.
- Allows valve to be panel mounted without removing handle.

To order, add **-SL** to the ordering number.

Example: SS-SS1-SL

Series	Dimensions, in. (mm)	
	A	B
S	1.42 (36.1)	0.38 (9.6)
M	1.22 (31.0)	0.50 (12.7)

### Colored Handles

#### 31 Series

Black phenolic handles are standard. To order colored phenolic handles, add a handle color designator to the ordering number.

Example: SS-31RS4-BL

Handle Color	Designator
Blue	-BL
Green	-GR
Orange	-OG
Red	-RD
Yellow	-YW

#### Handle Kits

Handle kits contain handle, brass insert, and instructions.

To order a black phenolic handle, use kit ordering number PH-5K-14K-BK.

For colored phenolic handles, replace **-BK** in the kit ordering number with a handle color designator.

Example: PH-5K-14K-BL

#### Slotted Handle Kits

Kits contain all parts necessary to add a slotted handle to an existing valve.

Series	Kit Ordering Number
S	SS-5K-S-SL
M	SS-2M-K5-SL

## Options and Accessories

### Stem O-Ring Materials

#### S, M, and L Series

Buna N O-rings are standard for brass valves; fluorocarbon FKM O-rings are standard for stainless steel valves. When ordering optional stem O-ring materials:

- S series—stem and guide O-rings are replaced with the optional material, *except for* the Kalrez® option; for Kalrez material, the stem O-ring is replaced and the guide O-ring remains the standard material.
- S series and M series—body seal material may change, as shown in the table below.

O-Ring Material	Designator	Temperature Rating °F (°C)	Body Seal Material
Buna N	-BU	-10 to 300 (-23 to 148)	Standard
Ethylene propylene	-EP	-10 to 300 (-23 to 148)	S series—PTFE
Fluorocarbon FKM	-VI	-10 to 400 (-23 to 204)	Standard
Kalrez	-KZ	0 to 300 (-17 to 148)	S series and M series—PTFE
Neoprene	-NE	-10 to 250 (-23 to 121)	S series—PTFE

To order optional O-ring materials, add the desired O-ring material designator to the ordering number.

Example: SS-SS1-**BU**

### High-Temperature Stem Packing Material

#### 31 Series

Grafoil packing extends the temperature rating to 850°F (454°C) and requires fluorinated tungsten disulfide-based lubricant. To order, add **-G** to the ordering number.

Example: SS-31RS4-**G**

#### Stem Packing Kits

PTFE and Grafoil packing kits are available. Kits include packing, lubricant, and instructions. Select a kit ordering number.

Stem Packing Material and Kit Ordering Number	
PTFE	Grafoil
T-9K-2	G-9K-2
Lubricant: nickel antiseize, hydrocarbon carrier	Lubricant: fluorinated tungsten disulfide-based

### Special Cleaning and Packaging (SC-11)

#### All Series

Swagelok metering valves with VCR end connections are processed in accordance with Swagelok *Special Cleaning and Packaging (SC-11)* catalog, [MS-06-63](#), to ensure compliance with product cleanliness requirements stated in ASTM G93 Level C.

To order special cleaning and packaging for metering valves with other end connections, add **-SC11** to the valve ordering number.

Example: SS-SS1-**SC11**

### Oxygen Service Hazards

For more information about hazards and risks of oxygen-enriched systems, refer to Swagelok *Oxygen System Safety* technical report, MS-06-13.

⚠ **A packing adjustment may be required periodically to increase service life and to prevent leakage.**

⚠ **To increase service life, ensure proper valve performance, and prevent leakage, apply only as much torque as is required to achieve positive shutoff in L and 31 series valves that are rated for shutoff service.**

#### ⚠ WARNING

**Do not mix/interchange Swagelok products or components not governed by industrial design standards, including Swagelok tube fitting end connections, with those of other manufacturers.**



## Introduction

Since 1947, Swagelok has designed, developed, and manufactured high-quality, general-purpose and specialty fluid system products to meet the evolving needs of global industries. Our focus is on understanding our customers' needs, finding timely solutions, and adding value with our products and services.

We are pleased to provide this global edition of the book-bound *Swagelok Product Catalog*, which compiles more than 100 separate product catalogs, technical bulletins, and reference documents into one convenient, easy-to-use volume. Each product catalog is up to date at the time of printing, with its revision number shown on the last page of the individual catalog. Subsequent revisions will supersede the printed version and will be posted on the Swagelok website and in the Swagelok electronic Desktop Technical Reference (eDTR) tool.

For more information, visit your Swagelok website or contact your authorized Swagelok sales and service representative.

## Warranty Information

Swagelok products are backed by The Swagelok Limited Lifetime Warranty. For a copy, visit [swagelok.com](http://swagelok.com) or contact your authorized Swagelok representative.

### Safe Product Selection

**When selecting a product, the total system design must be considered to ensure safe, trouble-free performance. Function, material compatibility, adequate ratings, proper installation, operation, and maintenance are the responsibilities of the system designer and user.**

### WARNING

**Do not mix/interchange Swagelok products or components not governed by industrial design standards, including Swagelok tube fitting end connections, with those of other manufacturers.**

Not all trademarks listed below apply to this catalog.  
Swagelok, Cajon, Ferrule-Pak, Goop, Hinging-Colleting, IGC, Kenmac, Micro-Fit, Nupro, Snoop, Sno-Trik, SWAK, VCO, VCR, Ultra-Torr, Whitey—TM Swagelok Company  
15-7 PH—TM AK Steel Corp.  
AccuTrak, Beacon, Westlock—TM Tyco International Services  
Atlas—TM Asahi Glass Co., Ltd.  
ASCO, El-O-Matic—TM Emerson  
AutoCAD—TM Autodesk, Inc.  
CSA—TM Canadian Standards Association  
Crastin, DuPont, Kalrez, Krytox, Teflon, Viton—TM E.I. duPont Nemours and Company  
DeviceNet—TM ODVA  
Dyneon, Elgiloy, TFM—TM Dyneon  
Elgiloy—TM Elgiloy Specialty Metals  
FM—TM FM Global  
Grafoil—TM GrafTech International Holdings, Inc.  
Honeywell, MICRO SWITCH—TM Honeywell  
MAC—TM MAC Valves  
Microsoft, Windows—TM Microsoft Corp.  
NACE—TM NACE International  
PH 15-7 Mo, 17-7 PH—TM AK Steel Corp  
picofast—Hans Turck KG  
Pillar—TM Nippon Pillar Packing Company, Ltd.  
Raychem—TM Tyco Electronics Corp.  
Sandvik, SAF 2507—TM Sandvik AB  
Simriz—TM Freudenberg-NOK  
SolidWorks—TM SolidWorks Corporation  
UL—Underwriters Laboratories Inc.  
Xylan—TM Whitford Corporation  
© 2021 Swagelok Company