

PARACENTRIC CYLINDER AND KEY

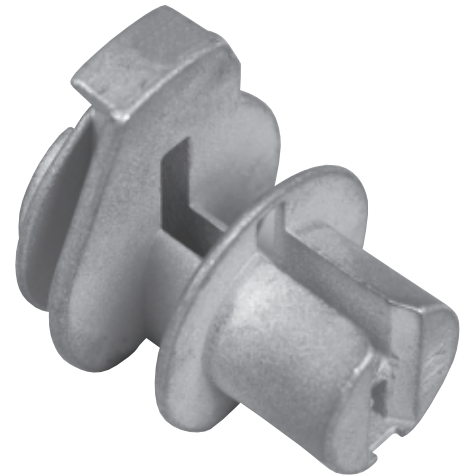
APPLICATION:

A complete line of Southern Steel brand, high-quality detention-type locks is available with lever tumbler cylinders. The cylinders are cast bronze and are operated by paracentric key. Master keying is not available for locks with paracentric cylinders.

TECHNICAL DATA:

- CYLINDERS and KEYS
Silicon bronze/copper alloy
- CYLINDER SIZE:
1" Diameter (Nominal)
- CYLINDER WEIGHT: .5 lb.
- KEY SIZE:
4-3/4" L x 5/32" TK
- KEY WEIGHT: .2 lb.
- TENSILE STRENGTH:
60,000 p.s.i.
- YIELD STRENGTH:
20,000 p.s.i.
- ROCKWELL HARDNESS:
73 Minimum HRB

PARACENTRIC CYLINDER



PARACENTRIC KEY



MOGUL CYLINDER AND KEY

APPLICATION:

Many of our locks are equipped with a "mogul-type" cylinder. This rugged cylinder is approximately twice the size of a standard "builder's hardware" cylinder. The mogul cylinder has six-pins with side bar operation. Six tumbler cylinders provide higher security than standard five tumbler cylinder with more combinations available. All cylinders may operate under the same exclusive key, including Southern Steel security builders cylinder, if desired.

NOTE: Master keying available.

TECHNICAL DATA:

- STANDARD FINISH: US26D
- MOGUL CYLINDERS:
Brass
- MOGUL KEYS: Nickel silver
- CYLINDER SIZE: 2" thread
Diameter
- CYLINDER WEIGHT: 1.5 lbs.
- KEY SIZE: 2-3/8" L x 1/8" TK
- TENSILE STRENGTH:
91,000 lbs/in.2
- YIELD STRENGTH:
76,000 lbs/in.2
- ROCKWELL HARDNESS:
89 HRB
- PIN TUMBLERS:
Combination nickel silver
and stainless steel,
6 tumblers per lock

HIGH SECURITY SIX-PIN MOGUL CYLINDER



MOGUL KEY



HINGES

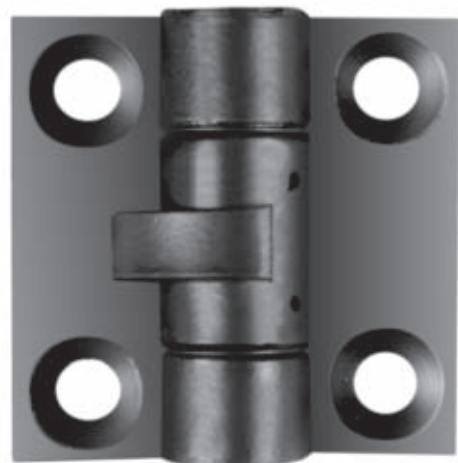
203FS: FULL SURFACE
203FP: FOOD PASS

APPLICATION:

For use on food passes, observation shutters and other small swinging doors where a medium duty hinge is required. Available with solid leaves for welded application or pre-drilled for fasteners. The 203FP is a version of the 203FS with a built-in stop to hold the food pass door in a horizontal position for use as a shelf.

TECHNICAL DATA:

- HINGE LEAVES: Steel
- HINGE PIN: Cold-rolled steel
- SIZE: 3" H x 2-3/4" W x 1/4" TK
- WEIGHT: .9 lb.
- PIN SIZE: 1/2" diameter
- 203FS: No holes standard
- 203FP: Drilled and countersunk for screws standard

203FS FULL SURFACE HINGE**203FP FOOD PASS HINGE**

INSTITUTIONAL HINGES

204FMSS INSTITUTIONAL HINGES

APPLICATION:

For swinging hollow metal doors. Each hinge features cast stainless steel leaves with integral security stud and non-removable stainless steel pin. Security fasteners are provided with each unit.

TECHNICAL DATA:

- STANDARD FINISH:
Stainless steel - US32D
- SIZE: 4-1/2" x 4-1/2" x 3/16"
- WEIGHT: 1.5 lbs.
- HINGE LEAVES:
Cast stainless steel
- HINGE PIN: Stainless steel
- ASTM F1758 Certified
Impact Test-Grade 1

204FMSS FULL MORTISE HINGE



205 HINGE

SOUTHERN FOLGER 205 HINGE

SF 205FS: FULL SURFACE HINGE
 SF 205G: GAP HINGE

APPLICATION

Swinging doors at cells, corridors, plumbing chases, gates or other locations where a higher degree of security is required. Available in full surface or gap type configuration.

Leaf configuration can be any combination of solid leaf for weld-on or pre-drilled leaf for bolt-on.

Continuous non-removable hardened steel alloy pin. Smooth operating radial and thrust polymer bearings.

TECHNICAL DATA

Size: 5"H x 4-1/2" W x 1/2" TK (FS)
 5"H x 6" W x 1/2" TK (GAP)
 Weight: 5 lbs.
 Pin Size: 5/8" diameter.
 Barrel Size: 1-1/2" diameter.
 Barrels/Leaves: Cold rolled steel.
 Finish: USP.

Exceeds all criteria for ASTM F1758 for detention hinges for Double Weight Grade 1.

Made in USA.

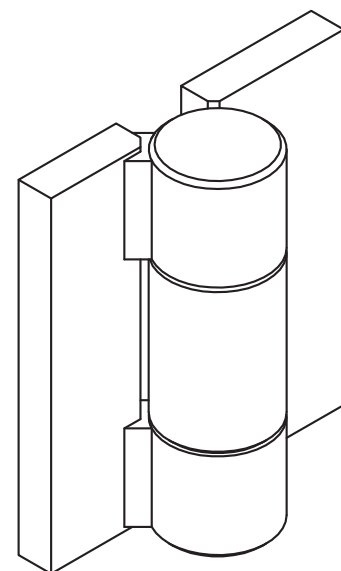
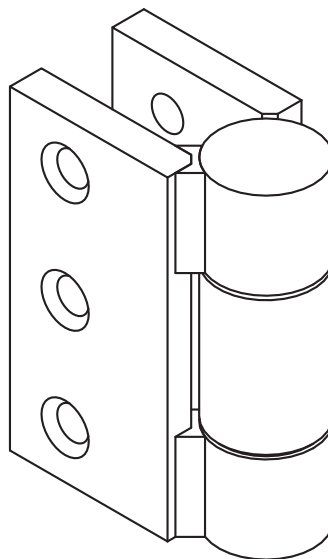
Weight capacity 800 pounds per weld-on hinge.

NOTE: These hinges are not direct replacements for the Folger Adam #5 Hinge or the Southern Steel 205 Hinge due to barrel size difference.



SF 205G:
GAP HINGE

SF 205FS:
FULL SURFACE HINGE



INSTITUTIONAL HINGES

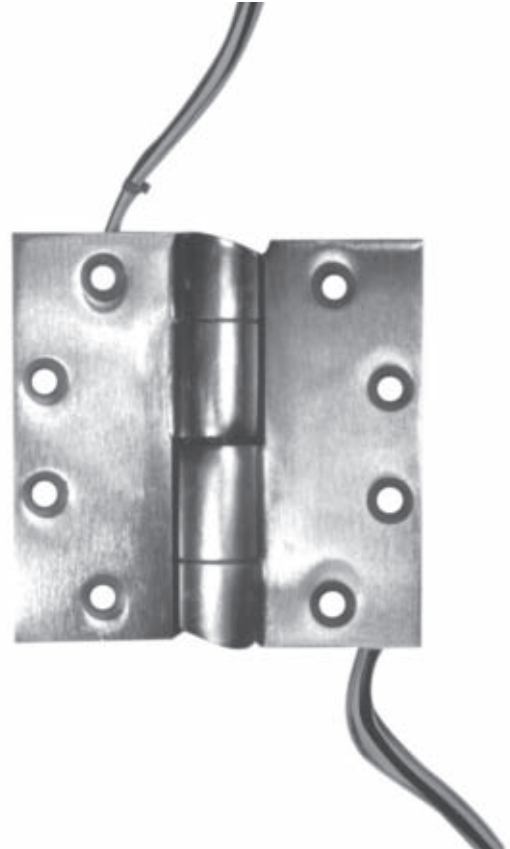
204E ELECTRIC POWER TRANSFER HINGE

APPLICATION:

Designed to supply power from door frames to electric locks on hollow metal doors, the 204E Power Transfer Hinge contains five completely concealed and tamperproof Teflon™-coated conductors. Available in full mortise configuration only to be used with three 204FMSS institutional hinges. This is not a load-bearing hinge.

TECHNICAL DATA:

- STANDARD FINISH: US26D
- SIZE: 4-1/2" x 4-1/2" x 3/16"
- WEIGHT: 1.6 lbs.
- HINGE LEAVES: Investment cast brass
- HINGE PIN: 5/8" diameter O.D. tubing steel
- ELECTRICAL: 1 amp capacity, 40 volts maximum



DOOR PULLS

212C
RAISED DOOR PULL**APPLICATION:**

Economical, attractive, general purpose door pulls designed for ease of operation on heavy doors and/or heavy traffic areas. Provided with security fasteners.

TECHNICAL DATA:

- FINISH:
US32D
- MATERIAL:
Stainless Steel
- SIZE:
8-3/4" L x 1-3/4" W x 2"
Projection
- WEIGHT: 1.3 lbs.



DOOR PULLS

214S RECESSED DOOR PULL

APPLICATION:

The 214 is of adequate size for easily manipulating large, heavy doors. Often used on inmate side of doors. Provided with security fasteners.

TECHNICAL DATA:

- FINISH:
304
- MATERIAL: Stainless Steel
- SIZE: 5" H x 4" W x 1" D
- WEIGHT: 1.5 lbs.

215C KNOB PULL

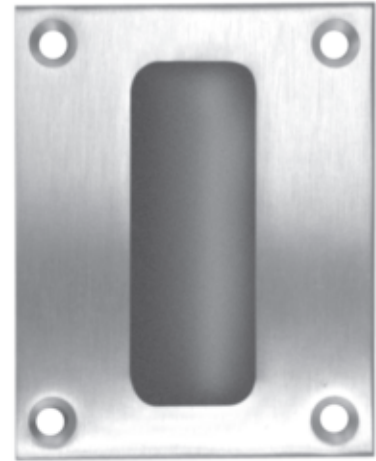
APPLICATION:

An attractive, brass knob pull for light traffic areas where a fixed knob is required. Provided with security fasteners.

TECHNICAL DATA:

- FINISH:
US26D
- MATERIAL: Brass
- SIZE: 2-1/4" DIA Knob x
2-1/4" Projection x
3-1/4" DIA Base
- WEIGHT: .5 lb.

214S RECESSED DOOR PULL



215C KNOB PULL



ESCUTCHEON AND CYLINDER SHIELD

ESCUTCHEON

218 ESCUTCHEON

218-1 ESCUTCHEON: ONE WAY
218-2 ESCUTCHEON: TWO WAY

APPLICATION:

The 218 Escutcheon is used to provide a close fit between a paracentric cylinder and the keyhole. It also serves to protect the finish around the keyhole from chipping. The one-way escutcheon prevents the key from being extracted from the cylinder while lock is in the unlocked condition. Provided with security fasteners.

TECHNICAL DATA:

- FINISH: US32D
- MATERIAL: Stainless steel,
- SIZE: 3" DIA x .105" TK
- WEIGHT: .2 lb.

219 CYLINDER SHIELD APPLICATION:

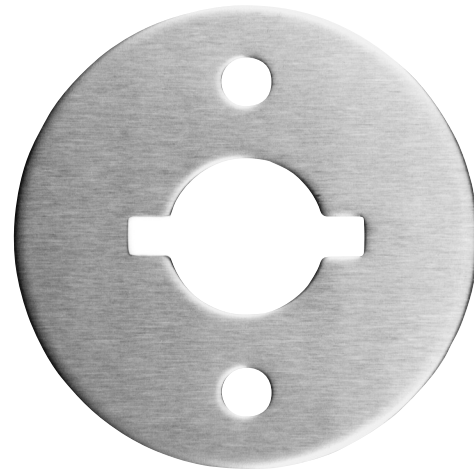
The 219 Cylinder Shield mounts over the paracentric cylinder on exterior doors to protect the keyhole from dirt, snow and other foreign elements. Provided with security fasteners.

TECHNICAL DATA:

- FINISH: US26D
- MATERIAL: Stainless Steel
- WEIGHT: .5 lb.

219M MOGUL CYLINDER SHIELD

Same as above except shield mounts over the mogul cylinder. US26D finish.



218-2 shown

CYLINDER SHIELD



219 shown



DOOR POSITION SWITCHES FOR SWINGING DOORS

200MRS MAGNETIC SWITCH APPLICATION:

The 200MRS is used where a built-in door indicator switch is desired. This tamper-proof unit is mortised into the door frame. An actuating magnet is recessed into the door edge. Provided with security fasteners.

TECHNICAL DATA:

- SIZE: 4-7/8" L x 1-1/4" W
- WEIGHT: 1 lb.
- ELECTRICAL: 24 volts (AC or DC)

200MRS TB MAGNETIC SWITCH

Triple Bias Switch

220A DOOR POSITION SWITCH APPLICATION:

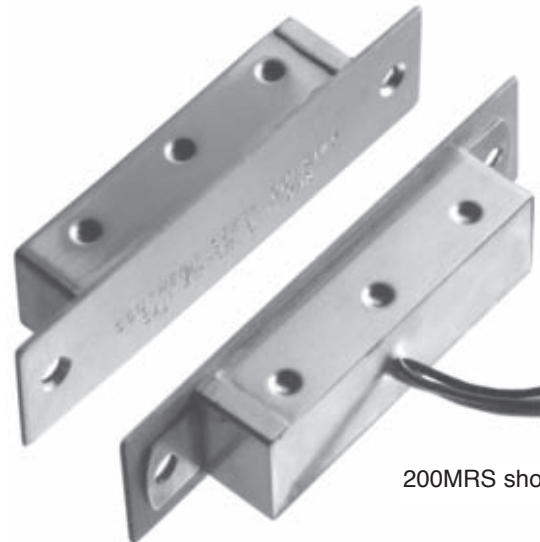
APPLICATION:

The 220A switch actuates a remote lamp indicator or an audible signaling device the moment a swinging door is moved from the fully-closed position. Enclosed in a 10 gauge galvanized steel housing, the 220A is designed for installation on the door frame above the top hinge. A pivoting operator that actuates the switch is attached to the door face with special security screws. The 220A is designed for use on doors with 4-1/2" or 5" hinges. Specify hinge size and type (220A-5, 220A-4, etc.). Provided with security fasteners.

TECHNICAL DATA:

- SIZE: 6-5/16" x 2-1/2" x 1-7/8"
- WEIGHT: 3 lbs.
- ELECTRICAL: Switch rating SPDT 15 amps at 125 VAC or .5 amps at 125 VDC

200MRS MAGNETIC SWITCH



200MRS shown

220A DOOR POSITION SWITCH



DOOR POSITION SWITCHES FOR SWINGING DOORS

240CPS CONCEALED POSITION SWITCH

APPLICATION:

The 240CPS is used where a built-in door indicator switch is desired. This tamper proof unit is mortised into the door and frame. Indicator switch is mechanically activated when the door is moved from the closed position. A switch adjustment is provided to allow for varying field conditions. Provided with security fasteners.

FEATURES:

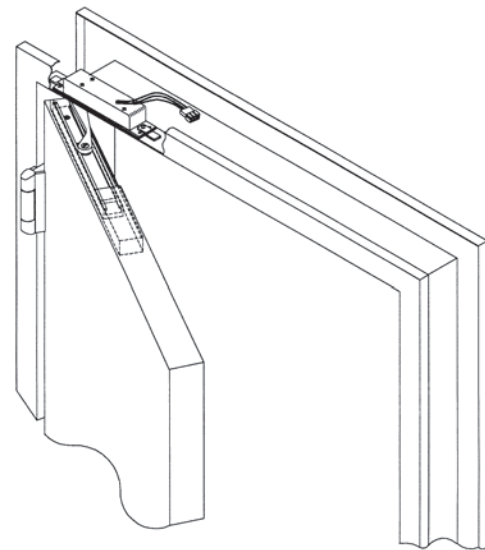
- Handed, Specify LH or RH
- 180° maximum swing
- 12" long, 16 AWG UL wire leads with plug connector
- An eccentric stud on the control arm provides a fine adjustment for varying conditions

OPTIONAL FEATURES:

- Double Circuit, Specify 240CPS-2
This feature allows for an additional circuit to be triggered by the 240CPS

TECHNICAL DATA:

- CONCEALED (IN FRAME):
1-5/16" H x 1-1/2" W x 7-1/2" L
- CONTROL ARM: 5/16" thick steel, zinc plated
- TRACK(IN DOOR): 3/4" H x 1-1/4" W x 12" L, extruded aluminum alloy
- WEIGHT: 2 lbs.
- FACE PLATE: 14 GA stainless steel (US32D finish)
- ELECTRICAL: Switch is S.P.D.T. type with a rating of 5 amps at 30 VDC to 250 VAC



Left Hand Shown



FOOD PASS ASSEMBLY

262 FOOD PASS

APPLICATION:

For use in hollow metal or plate doors and walls. Opening area measures 5" H x 1' 3-1/4" W. Built-in stop positions the food pass door as a shelf when open. Key operated springlock provides positive security and prevents unauthorized use.

STANDARD FEATURES:

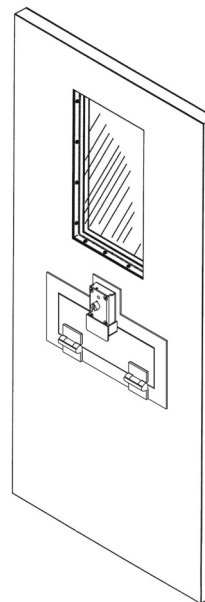
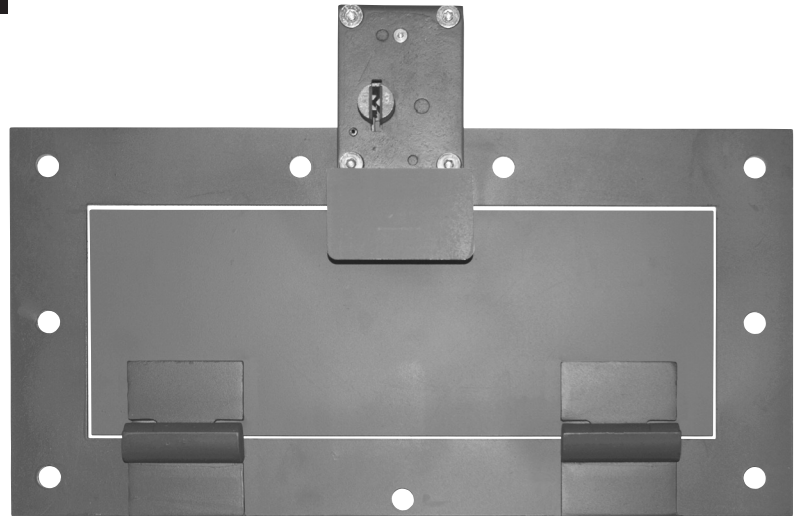
- 1017A snaplatch
- Two hinges

OPTIONAL FEATURES:

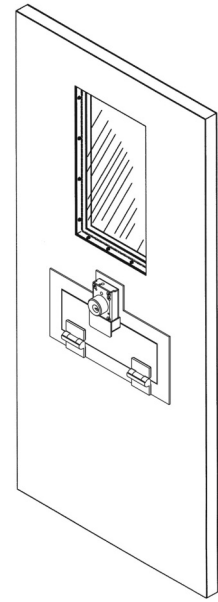
- 1010A deadlock
(Specify 262 x 1010A)
- 1010AM deadlock
(Specify 262 x 1010AM)
- 1017AM snaplatch
(Specify 262 x 1017AM)
- 1017AT snaplatch with thumbturn
only (Specify 262 x 1017AT)

TECHNICAL DATA:

- STANDARD FINISH: USP
- FRAME: 7 gauge mild steel
- LOCK: 1017A snaplatch
- HINGES: 3" H x 3" W x 5/32" TK
mild steel with cold-rolled
steel, non-removable pin
- FRAME SIZE:
1' 8-1/4" L x 10" W
- CLEAR OPENING:
5" H x 1' 3-1/4" W



Paracentric



Mogul



ACCESS DOORS AND PANELS

590 HINGED ACCESS DOOR

590 HINGED ACCESS DOOR

SIZE: 2'4" W x 3'4" H x 2-3/16" TK
WEIGHT: 105 LBS.

Provides access to plumbing or utility spaces in security areas. Door is constructed of 10 gauge steel plate flanged 1-3/4" all around, hung on two Model 203FS hinges and locked with a Model 1010A deadlock. Steel frame is 7 gauge formed plate. Specify type of wall construction to determine anchor requirements. Prime painted.



**PUSHBUTTON
SWITCHES****900 SERIES
MOMENTARY PUSHBUTTON****906 MOMENTARY PUSHBUTTON**

RATING: 10 amp
 USAGE: Heavy-duty switch for electric locks, except for functions requiring a maintained contact switch. Suitable for inmate use.
 Finish US26D.

907 PUSHBUTTON

RATING: 6 amp
 USAGE: This function is the same as the 906. Faceplate is not available. The 907 pushbutton becomes an integral part of the frame.
 Finish US32D.



Model 906



Model 907



KEYSWITCHES**KEYSWITCHES**

The 900 Series keyswitches are recommended for use in secure areas or control cabinets.

930 THREE POSITION MAINTAINED KEYSWITCH, PARACENTRIC

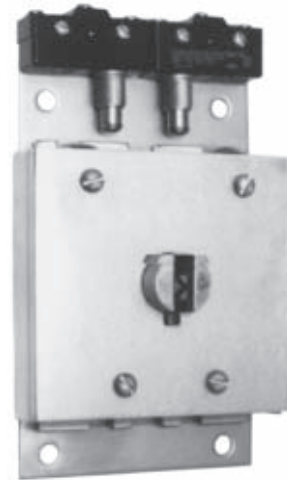
RATING: 15 amp

USAGE: Extra heavy-duty keyswitch for sliding door locking device. Galvanized finish. Utilizes paracentric key and cylinder. Specify one or two way keying.

936 THREE POSITION MAINTAINED KEYSWITCH, MOGUL

RATING: 15 amp

USAGE: Heavy duty keyswitch for sliding door locking devices. US26D is standard cylinder finish, US32D is standard plate finish. Utilizes institutional (mogul-type) key and cylinder.

900 SERIES KEYSWITCHES

Model 930A shown



Model 936 shown



HEAD OR FOOT BOLT

10105 HEAD OR FOOT BOLT

10105 HEAD OR FOOT BOLT

APPLICATION:

For the inactive leaf of pairs of swinging hollow metal, grating or steel plate doors.

FUNCTION:

Actuated by means of a "spanner" type key which extends the bolt into appropriate receptacle in the floor or jamb head. A special foot bolt receptacle is available for floor installations.

TECHNICAL DATA:

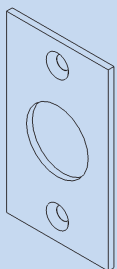
- STANDARD FINISH: Galvanized
- COVER: Cold-rolled steel plate
- CASE: Ductile iron
- LOCK BOLT: Cold-rolled steel
- SPANNER KEY: Cold-rolled steel
- SIZE: 5-3/8" H x 2-3/4" W x 1-7/8" TK
- WEIGHT: 5.5 lbs.
- BOLT SIZE: 1" Diameter
- BOLT THROW: 3/4"

10105R FLOOR RECEPTACLE

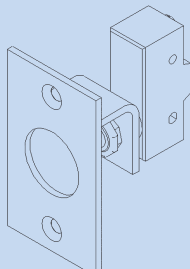
- SIZE: 3" H x 1-5/8" DIA x 1-5/8" sq. Base
- WEIGHT: 2.25 lbs.

OPTIONS:

- Head bolt keeper
Specify: "10105B" x USP
- Head bolt keeper switch
Specify: "10105CL" x USP
- Foot bolt receptacle Specify: 10105R



10105B



10105CL



Note: Shown with cover plates used only with grating and plate doors

10105R FOOT BOLT RECEPTACLE

10105K KEY



LOCK MOUNTINGS

LOCK MOUNTINGS

APPLICATION:

Used for mounting mechanical paracentric locks on hollow metal, steel plate or grating doors. Note: The model number for a specific lock mounting is determined by adding "HM", "P", "G" as a prefix to the lock model number i.e., HM-1080A-1, G-1070A-2.

TECHNICAL DATA:

- **SIZE:** Varies with application
- **WEIGHT:** Varies with application
- **HM - MOUNTING FOR HOLLOW METAL DOORS:** 7 gauge steel plate is attached to door with security fasteners. Comes with 218 Escutcheon. For two-way locks, a second escutcheon is required.
- **P - MOUNTING FOR STEEL PLATE DOORS:** Formed 10 gauge steel plate is attached to door with security fasteners or rivets.
- **G - MOUNTING FOR STEEL GRATING DOORS:** Welds to grating door. 7 gauge steel cover is attached to lock mounting with security fasteners. Comes with 218 Escutcheon. For two-way locks, a second escutcheon is required.



HM – Mounting for Hollow Metal Doors



P – Mounting for Plate Doors



G – Mounting for Grating Doors

