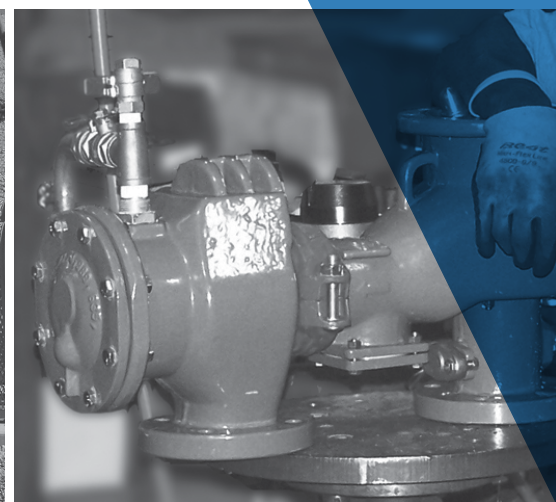
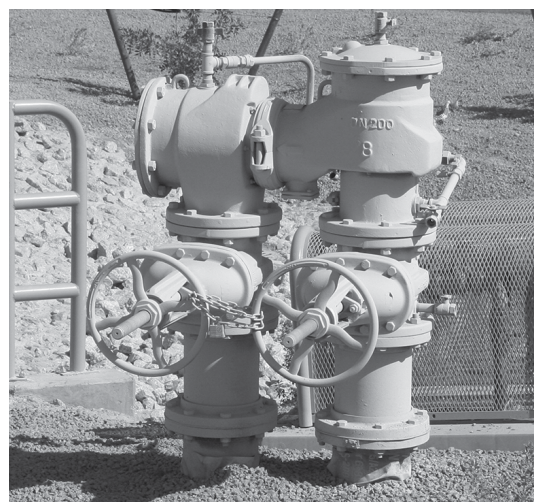
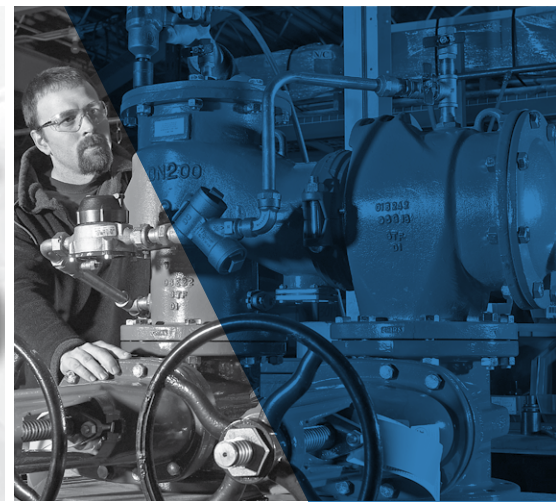


Price List

Backflow Prevention Products and Repair Kits



Effective Date February 27, 2017

All prices supersede previous issues, are temporary and subject to change without notice.

Your Discount[†]

[†] Excludes kits and parts

Electronic is Green!

For the latest FEBCO pricing information in electronic format, visit our Data Exchange at:

<http://www.wattswater.com/dataexchange/>

- Download product and list price data in .csv, .pdf, .tsv, .xls and .xml formats
- Easy access to list price data for business systems
- Sign up for e-mail alerts when data is updated
- Access our Watts Water Technologies brands pricing data

TABLE OF CONTENTS

| | |
|---|----|
| TERMS AND CONDITIONS | 2 |
| HOW TO ORDER | 2 |
| SINGLE DETECTOR CHECK ASSEMBLIES | |
| 800 (4" - 10") | 3 |
| DOUBLE CHECK VALVE ASSEMBLIES-BRONZE BODY | |
| 850-QT DC (½" - 2") | 3 |
| LF850-QT DC (½" - 2") | 3 |
| 850U-QT DC (½" - 2") | 3 |
| LF850U (½" - 2") | 3 |
| DOUBLE CHECK VALVE ASSEMBLIES-DUCTILE IRON BODY | |
| LF850-LG DC (2½" - 10") | 4 |
| LF850-NRS DC (2½" - 10") | 4 |
| LF850-OSY DC (2½" - 10") | 4 |
| LF870V-LG DC (2½" - 8") | 5 |
| LF870V-NRS DC (2½" - 8") | 5 |
| LF870V-OSY DC (2½" - 8") | 5 |
| DOUBLE CHECK DETECTOR ASSEMBLIES (TYPE II) DUCTILE IRON BODY | |
| LF856-LF-GPM (2½" - 10") | 6 |
| LF856-DOSY-GPM (2½" - 10") | 6 |
| LF876V-DOSY-GPM (2½" - 8") | 6 |
| REDUCED PRESSURE ZONE ASSEMBLIES-BRONZE BODY | |
| 825Y-QT RP (¾" - 2") | 7 |
| LF825Y-QT RP (¾" - 2") | 7 |
| 825YA-QT RP (¾" - 2") | 7 |
| LF825YA-QT RP (¾" - 2") | 7 |
| 860-QT RP (½" - 2") | 7 |
| LF860-QT RP (½" - 2") | 7 |
| 860U-QT RP (½" - 2") | 7 |
| LF860U-QT RP (½" - 2") | 7 |
| REDUCED PRESSURE ZONE ASSEMBLIES-DUCTILE IRON BODY | |
| LF860-LG RP (2½" - 10") | 8 |
| LF860-NRS RP (2½" - 10") | 8 |
| LF860-DOSY RP (2½" - 10") | 8 |
| LF880V-LG RP (2½" - 8") | 8 |
| LF880V-NRS RP (2½" - 8") | 8 |
| LF880V-DOSY RP (2½" - 8") | 8 |
| REDUCED PRESSURE DETECTOR ASSEMBLIES (TYPE II) DUCTILE IRON BODY | |
| LF866-LG (2½" - 10") | 9 |
| LF866-DOSY (2½" - 10") | 9 |
| LF886V-DOSY (2½" - 8") | 9 |
| VACUUM BREAKERS | |
| Atmospheric Vacuum Breaker | |
| 715A AVB (½" - ¾") | 10 |
| 710A AVB (1" - 2") | 10 |
| Pressure Vacuum Breakers | |
| 765-QT PVB (½" - 2") | 10 |
| U765-QT PVB (½" - 2") | 10 |
| LF767FR PVB (½" - 2") | 10 |

ACCESSORIES

| | |
|-------------------------------|----|
| Air Gap | 11 |
| Valve Setters | 11 |
| Wye-Strainer | 12 |
| Spool 12 | |
| Full Port Test Cock | 12 |
| Backflow Test Kit | 12 |
| Valve Stand | 12 |
| Gate Valve Mounting Kit | 12 |

IRRIGATION SPECIALTIES

| | |
|---------------------------------|----|
| Key Operated Wall Hydrant | 12 |
| Ball Valves | 31 |

PARTS AND ACCESSORIES

| MODEL | ASSEMBLY TYPE | PAGE (BY ASSEMBLY SIZE) |
|-----------------------------------|---|---------------------------|
| | | 2" & SMALLER 2½" & LARGER |
| Quick Reference Parts List | | |
| 710 | Atmospheric Vacuum Breaker | 14 |
| 715 | Atmospheric Vacuum Breaker | 14 |
| 765 | Pressure Vacuum Breaker | 14 |
| 805 | Double Check Valves | 15 19 |
| 806 | Double Check Detector Assemblies | 19 |
| 825/LF825 | Reduced Pressure Zone Assemblies | 16 22, 23 |
| 826 | Reduced Pressure Detector Assemblies | 22, 23 |
| 835 | Double Check Valves | 15 |
| 850/LF850 | Double Check Valves | 17 20, 21 |
| 856/856ST/ LF856 | Double Check Detector Assemblies | 20, 21 |
| 860/LF860/860U/LF860U/880/880U | Reduced Pressure Zone Assemblies | 18 |
| 860/LF860 | Reduced Pressure Zone Assemblies | 26 27, 29 |
| LF866 | Reduced Pressure Zone Detector Assemblies | 27, 29 |
| 870/LF870 | Double Check Valves | 24, 25 |
| 876/876ST/LF876 | Double Check Detector Assemblies | 24, 25 |
| 880/LF880 | Reduced Pressure Zone Assemblies | 28 29, 29 |
| LF880V/LF886V | Reduced Pressure Zone Detector Assemblies | 27, 29 |
| 860/LF880/LF860/LF880/LF866/LF886 | Relief Valve Parts | 30 |
| LF856/LF876V/LF866/LF886V | Bypass Assemblies and Bypass Repair Kits | 30 |
| Misc | Replacement Shutoffs | 31 |

Supersedes all other price lists / Prices subject to change / Weights are estimated

¹Grooved ends available on all OS&Y gate valves in some models and sizes. Expect larger lead times.

- FREIGHT TERMS:** All shipments are F.O.B. shipping point. Shipments from factory less than 1000 lbs. are F.O.B. factory. Factory shipments OF \$5000 and over within the continental U.S.A. will be prepaid and allowed when made at the lowest motor carrier transportation rate.
- TERMS OF SALE:** All sales are F.O.B. shipping point.
- PAYMENT TERMS:** The invoices are due and payable 30 days from the date of invoice.
- PURCHASE ORDER FORMS:** Orders submitted on customer's own purchase order forms will be accepted only with the express understanding that no statements, clauses, or conditions contained in said order form will be binding on the Seller if they in any way modify the Seller's own terms and conditions of sales.
- STOCKING WHOLESALER MINIMUM CHARGE:** A minimum billing charge of \$100.00 applies to shipments F.O.B. factory. Stocking Wholesaler Customers are encouraged to order sufficient material to avoid this charge which is necessitated by increased costs of processing small orders.
- SPECIAL PRODUCTS:** Orders for special or modified products are non-cancelable.
- LIMITED WARRANTY:** FEBCO warrants each product to be free from defects in material and workmanship under normal usage for a period of one year from the date of original shipment. In the event of such defects within the warranty period, the Company will, at its option, replace or recondition the product without charge. THE WARRANTY SET FORTH HEREIN IS GIVEN EXPRESSLY AND IS THE ONLY WARRANTY GIVEN BY THE COMPANY WITH RESPECT TO THE PRODUCT. THE COMPANY MAKES NO OTHER WARRANTIES, EXPRESS OR IMPLIED. THE COMPANY HEREBY SPECIFICALLY DISCLAIMS ALL OTHER WARRANTIES, EXPRESS OR IMPLIED, INCLUDING BUT NOT LIMITED TO THE IMPLIED WARRANTIES OF MERCHANT ABILITY AND FITNESS FOR A PARTICULAR PURPOSE. The remedy described in the first paragraph of this warranty shall constitute the sole and exclusive remedy for breach of warranty, and the Company shall not be responsible for any incidental, special or consequential damages, including without limitation, lost profits or the cost of repairing or replacing other property which is damaged if this product does not work properly, other costs resulting from labor charges, delays, vandalism, negligence, fouling caused by foreign material, damage from adverse water conditions, chemical, or any other circumstances over which the Company has no control. This warranty shall be invalidated by any abuse, misuse, misapplication, improper installation or improper maintenance or alteration of the product. Some States do not allow limitations on how long an implied warranty lasts, and some States do not allow the exclusion or limitation of incidental or consequential damages. Therefore the above limitations may not apply to you. This Limited Warranty gives you specific legal rights, and you may have other rights that vary from State to State. You should consult applicable state laws to determine your rights. SO FAR AS IS CONSISTENT WITH APPLICABLE STATE LAW, ANY IMPLIED WARRANTIES THAT MAY NOT BE DISCLAIMED, INCLUDING THE IMPLIED WARRANTIES OF MERCHANTABILITY AND FITNESS FOR A PARTICULAR PURPOSE, ARE LIMITED IN DURATION TO ONE YEAR FROM THE DATE OF ORIGINAL SHIPMENT.
- SERVICE POLICY:** For inoperative products beyond the warranty period, we assume no liability for replacement of valves due to service conditions beyond our control.
- RETURNED GOODS:** No material shall be returned without authorization. When credit is issued it will be at the price charged, or prevailing price if lower, less handling charges based on costs of reconditioning, boxing, etc. However, a minimum 25% handling charge will apply. A minimum handling charge of \$20.00 is applied whenever the 25% handling deduction does not total \$20.00. Products which are obsolete or made to special order are not returnable.
- NOTE:** Prices and terms are subject to change without notice and supersede all previous quotations. The right is reserved to change or modify product design or construction without prior notice and without incurring any obligation to make such changes and modifications on products previously or subsequently sold.

HOW TO ORDER

1. Determine the type of valve assembly required, such as a Double Check Assembly (DC).
2. Determine size, options, and accessories.
3. Use the following pages to determine the part number, list price and shipping weight.
4. Contact your local representative or visit our website at www.FEBCOonline.com for up-to-date approvals.
5. Prices subject to change without notice.
6. Weights are estimated.

SINGLE DETECTOR CHECK ASSEMBLIES



A WATTS Brand

| Model | Size | Ordering Code | UPC | Net Content | Consumer Unit Weight (lbs) | Case Qty | Case Weight (lbs) | List Price |
|-------|------|---------------|-----|-------------|----------------------------|----------|-------------------|------------|
|-------|------|---------------|-----|-------------|----------------------------|----------|-------------------|------------|

SINGLE DETECTOR CHECK ASSEMBLIES

Less Bypass

| | | | | | | | | |
|-----|-----|------|--------------|---|-----|---|---|-------------|
| 800 | 4" | 800M | 643925008111 | 1 | 122 | - | - | \$ 1,031.00 |
| 800 | 6" | 800R | 643925008265 | 1 | 212 | - | - | 1,309.00 |
| 800 | 8" | 800S | 643925008463 | 1 | 337 | - | - | 2,370.00 |
| 800 | 10" | 800T | 643925008715 | 1 | 485 | - | - | 3,671.00 |

With Bypass

| | | GPM | CFM | | | | | |
|-----|-----|----------|----------|--------------|---|-----|---|----------|
| 800 | 4" | 800M2211 | 800M2311 | 643925008173 | 1 | 135 | - | 1,321.00 |
| 800 | 6" | 800R2211 | 800R2311 | 643925008326 | 1 | 234 | - | 1,756.00 |
| 800 | 8" | 800S2211 | 800S2311 | 643925008531 | 1 | 346 | - | 2,559.00 |
| 800 | 10" | 800T2211 | 800T2311 | 643925008760 | 1 | 472 | - | 4,542.00 |



800

DOUBLE CHECK VALVE ASSEMBLIES

| Model | Size | Ordering Code | UPC | Net Content | Consumer Unit Weight (lbs) | Case Qty | Case Weight (lbs) | List Price |
|-------|------|---------------|-----|-------------|----------------------------|----------|-------------------|------------|
|-------|------|---------------|-----|-------------|----------------------------|----------|-------------------|------------|

DOUBLE CHECK VALVE ASSEMBLIES-BRONZE BODY

With Quarter-Turn Shutoff Valves

| | | | | | | | | |
|-------------|--------|---------|--------------|---|-------|---|---|-----------|
| 850-QT DC | 1/2" | 1111 | 643925000535 | 1 | 4.99 | - | - | \$ 174.50 |
| 850-QT DC | 3/4" | 1112 | 643925000542 | 1 | 5.05 | - | - | 184.50 |
| 850-QT DC | 1" | 1113 | 643925000559 | 1 | 7.55 | - | - | 207.50 |
| 850-QT DC | 1 1/4" | 1114 | 643925000566 | 1 | 16.65 | - | - | 394.00 |
| 850-QT DC | 1 1/2" | 1115 | 643925000573 | 1 | 18.65 | - | - | 418.00 |
| 850-QT DC | 2" | 1116 | 643925000580 | 1 | 23.35 | - | - | 497.50 |
| LF850-QT DC | 1/2" | 0683038 | 098268455540 | 1 | 4.99 | - | - | 230.00 |
| LF850-QT DC | 3/4" | 0683039 | 098268455557 | 1 | 5.05 | - | - | 245.00 |
| LF850-QT DC | 1" | 0683040 | 098268455564 | 1 | 7.55 | - | - | 274.00 |
| LF850-QT DC | 1 1/4" | 0683041 | 098268455571 | 1 | 16.65 | - | - | 521.50 |
| LF850-QT DC | 1 1/2" | 0683042 | 098268455588 | 1 | 18.65 | - | - | 554.00 |
| LF850-QT DC | 2" | 0683043 | 098268455595 | 1 | 23.35 | - | - | 659.50 |

With Union Connections and Quarter-Turn Shutoff Valves

| | | | | | | | | |
|--------------|--------|---------|--------------|---|-------|---|---|--------|
| 850U-QT DC | 1/2" | 2611 | 643925017441 | 1 | 4.6 | - | - | 202.50 |
| 850U-QT DC | 3/4" | 2612 | 643925017458 | 1 | 6 | - | - | 222.00 |
| 850U-QT DC | 1" | 2613 | 643925017465 | 1 | 8.85 | - | - | 243.00 |
| 850U-QT DC | 1 1/4" | 2614 | 643925017472 | 1 | 17.4 | - | - | 495.50 |
| 850U-QT DC | 1 1/2" | 2615 | 643925017489 | 1 | 21.8 | - | - | 509.00 |
| 850U-QT DC | 2" | 2616 | 643925017496 | 1 | 25.25 | - | - | 594.00 |
| LF850U-QT DC | 1/2" | 0122963 | 098268734614 | 1 | 4.6 | - | - | 268.50 |
| LF850U-QT DC | 3/4" | 0122964 | 098268649888 | 1 | 6 | - | - | 294.50 |
| LF850U-QT DC | 1" | 0122965 | 098268649901 | 1 | 8.85 | - | - | 322.00 |
| LF850U-QT DC | 1 1/4" | 0122966 | 098268649918 | 1 | 17.4 | - | - | 657.00 |
| LF850U-QT DC | 1 1/2" | 0122967 | 098268649963 | 1 | 21.8 | - | - | 675.00 |
| LF850U-QT DC | 2" | 0122968 | 098268649970 | 1 | 25.25 | - | - | 787.00 |



Model LF850-QT DC

*The wetted surface of this product contacted by consumable water contains less than 0.25% of lead by weight.

Supersedes all other price lists / Prices subject to change / Weights are estimated

1 Grooved ends available on all OS&Y gate valves in some models and sizes. Expect larger lead times.

DOUBLE CHECK VALVE ASSEMBLIES



A WATTS Brand

| Model | Size | Ordering Code | UPC | Net Content | Consumer Unit Weight (lbs) | Case Qty | Case Weight (lbs) | List Price |
|-------|------|---------------|-----|-------------|----------------------------|----------|-------------------|------------|
|-------|------|---------------|-----|-------------|----------------------------|----------|-------------------|------------|

DOUBLE CHECK VALVE ASSEMBLIES-DUCTILE IRON BODY

Inline, Less Shutoff Valves

| Model | Size | Ordering Code | UPC | Net Content | Consumer Unit Weight (lbs) | Case Qty | Case Weight (lbs) | List Price |
|-------------|--------|---------------|--------------|-------------|----------------------------|----------|-------------------|-------------|
| LF850-LG DC | 2 1/2" | 0124520 | 098268836790 | 1 | 165 | - | - | \$ 1,793.00 |
| LF850-LG DC | 3" | 0124522 | 098268836813 | 1 | 165 | - | - | 2,052.00 |
| LF850-LG DC | 4" | 0124523 | 098268836820 | 1 | 235 | - | - | 2,118.00 |
| LF850-LG DC | 6" | 0124524 | 098268836837 | 1 | 320 | - | - | 3,311.00 |
| LF850-LG DC | 8" | 0124525 | 098268836844 | 1 | 520 | - | - | 6,542.00 |
| LF850-LG DC | 10" | 0124526 | 098268836851 | 1 | 595 | - | - | 9,010.00 |

Inline, NRS Shutoff Valves

| Model | Size | Ordering Code | UPC | Net Content | Consumer Unit Weight (lbs) | Case Qty | Case Weight (lbs) | List Price |
|--------------|--------|---------------|--------------|-------------|----------------------------|----------|-------------------|------------|
| LF850-NRS DC | 2 1/2" | 0124527 | 098268836868 | 1 | 265 | - | - | 2,687.00 |
| LF850-NRS DC | 3" | 0124528 | 098268836875 | 1 | 290 | - | - | 3,077.00 |
| LF850-NRS DC | 4" | 0124529 | 098268836882 | 1 | 435 | - | - | 3,176.00 |
| LF850-NRS DC | 6" | 0124530 | 098268836899 | 1 | 605 | - | - | 4,964.00 |
| LF850-NRS DC | 8" | 0124531 | 098268836905 | 1 | 1000 | - | - | 9,812.00 |
| LF850-NRS DC | 10" | 0124532 | 098268836912 | 1 | 1410 | - | - | 13,515.00 |

Inline, OSY Shutoff Valves

| Model | Size | Ordering Code | UPC | Net Content | Consumer Unit Weight (lbs) | Case Qty | Case Weight (lbs) | List Price |
|---------------|--------|---------------|--------------|-------------|----------------------------|----------|-------------------|------------|
| LF850-DOSY DC | 2 1/2" | 0683074 | 643925026047 | 1 | 270 | - | - | 2,866.00 |
| LF850-DOSY DC | 3" | 0683075 | 643925026054 | 1 | 295 | - | - | 3,282.00 |
| LF850-DOSY DC | 4" | 0683076 | 643925026061 | 1 | 445 | - | - | 3,388.00 |
| LF850-DOSY DC | 6" | 0683077 | 643925026078 | 1 | 625 | - | - | 5,296.00 |
| LF850-DOSY DC | 8" | 0683078 | 643925026085 | 1 | 1030 | - | - | 10,466.00 |
| LF850-DOSY DC | 10" | 0683079 | 643925026092 | 1 | 1450 | - | - | 14,413.00 |



LF850-NRS DC
Horizontal Installation



LF850-NRS DC
Vertical Installation

*The wetted surface of this product contacted by consumable water contains less than 0.25% of lead by weight.

Supersedes all other price lists / Prices subject to change / Weights are estimated

¹Grooved ends available on all OS&Y gate valves in some models and sizes. Expect larger lead times.

DOUBLE CHECK VALVE ASSEMBLIES



A WATTS Brand

| Model | Size | Ordering Code | UPC | Net Content | Consumer Unit Weight (lbs) | Case Qty | Case Weight (lbs) | List Price |
|-------|------|---------------|-----|-------------|----------------------------|----------|-------------------|------------|
|-------|------|---------------|-----|-------------|----------------------------|----------|-------------------|------------|

DOUBLE CHECK VALVE ASSEMBLIES-DUCTILE IRON BODY CONTINUED

N- Pattern, Less Shutoff Valves

| | | | | | | | | | |
|------------------------|--------------|--------|---------|--------------|---|-----|---|---|-------------|
| LEAD FREE ¹ | LF870V-LG DC | 2 1/2" | 0124536 | 098268836950 | 1 | 145 | - | - | \$ 1,972.00 |
| | LF870V-LG DC | 3" | 0124537 | 098268836967 | 1 | 145 | - | - | 2,257.00 |
| | LF870V-LG DC | 4" | 0124538 | 098268836974 | 1 | 235 | - | - | 2,331.00 |
| | LF870V-LG DC | 6" | 0124539 | 098268836981 | 1 | 395 | - | - | 3,642.00 |
| | LF870V-LG DC | 8" | 0124540 | 098268836998 | 1 | 640 | - | - | 7,197.00 |

N-Pattern, NRS Shutoff Valves

| | | | | | | | | | |
|------------------------|---------------|--------|---------|--------------|---|------|---|---|-----------|
| LEAD FREE ¹ | LF870V-NRS DC | 2 1/2" | 0124542 | 098268837018 | 1 | 245 | - | - | 2,956.00 |
| | LF870V-NRS DC | 3" | 0124543 | 098268837025 | 1 | 270 | - | - | 3,384.00 |
| | LF870V-NRS DC | 4" | 0124544 | 098268837032 | 1 | 435 | - | - | 3,494.00 |
| | LF870V-NRS DC | 6" | 0124545 | 098268837049 | 1 | 680 | - | - | 5,462.00 |
| | LF870V-NRS DC | 8" | 0124546 | 098268837056 | 1 | 1115 | - | - | 10,793.00 |

N-Pattern, OSY Shutoff Valves

| | | | | | | | | | |
|------------------------|----------------|--------|---------|--------------|---|------|---|---|-----------|
| LEAD FREE ¹ | LF870V-DOSY DC | 2 1/2" | 0683110 | 643925026405 | 1 | 250 | - | - | 3,153.00 |
| | LF870V-DOSY DC | 3" | 0683111 | 643925026412 | 1 | 275 | - | - | 3,610.00 |
| | LF870V-DOSY DC | 4" | 0683112 | 643925026429 | 1 | 445 | - | - | 3,726.00 |
| | LF870V-DOSY DC | 6" | 0683113 | 643925026436 | 1 | 700 | - | - | 5,825.00 |
| | LF870V-DOSY DC | 8" | 0683114 | 643925026443 | 1 | 1145 | - | - | 11,511.00 |



LF870V
N-Shape Configuration

*The wetted surface of this product contacted by consumable water contains less than 0.25% of lead by weight.

Supersedes all other price lists / Prices subject to change / Weights are estimated

¹Grooved ends available on all OS&Y gate valves in some models and sizes. Expect larger lead times.

DOUBLE CHECK DETECTOR VALVE ASSEMBLIES



A WATTS Brand

| Model | Size | Ordering Code | UPC | Net Content | Consumer Unit Weight (lbs) | Case Qty | Case Weight (lbs) | List Price |
|-------|------|---------------|-----|-------------|----------------------------|----------|-------------------|------------|
|-------|------|---------------|-----|-------------|----------------------------|----------|-------------------|------------|

DOUBLE CHECK DETECTOR ASSEMBLIES (TYPE II) DUCTILE IRON BODY

Inline, Less Shutoff Valves

| | | | GPM | CFM | | | | | |
|-----------|--------------|--------|---------|-----|--------------|---|-----|---|-------------|
| LEAD FREE | LF856-LF-GPM | 2 1/2" | 0124426 | - | 098268833362 | 1 | 174 | - | \$ 2,420.00 |
| | LF856-LF-GPM | 3" | 0124427 | - | 098268833386 | 1 | 180 | - | 2,769.00 |
| | LF856-LF-GPM | 4" | 0124428 | - | 098268833393 | 1 | 210 | - | 2,858.00 |
| | LF856-LF-GPM | 6" | 0124429 | - | 098268833409 | 1 | 317 | - | 4,468.00 |
| | LF856-LF-GPM | 8" | 0124430 | - | 098268833423 | 1 | 541 | - | 8,830.00 |
| | LF856-LF-GPM | 10" | 0124431 | - | 098268833430 | 1 | 559 | - | 12,163.00 |

Inline, OSY Shutoff Valves

| | | | GPM | CFM | | | | | |
|-----------|----------------|--------|---------|---------|--------------|---|------|---|-----------|
| LEAD FREE | LF856-DOSY-GPM | 2 1/2" | 0124433 | 0124435 | 098268833492 | 1 | 285 | - | 3,869.00 |
| | LF856-DOSY-GPM | 3" | 0124438 | 0124440 | 098268833539 | 1 | 310 | - | 4,429.00 |
| | LF856-DOSY-GPM | 4" | 0124443 | 0124445 | 098268833652 | 1 | 460 | - | 4,572.00 |
| | LF856-DOSY-GPM | 6" | 0124449 | 0124451 | 098268834772 | 1 | 640 | - | 7,147.00 |
| | LF856-DOSY-GPM | 8" | 0124455 | 0124458 | 098268834918 | 1 | 1045 | - | 14,127.00 |
| | LF856-DOSY-GPM | 10" | 0124461 | 0124463 | 098268835281 | 1 | 1465 | - | 19,458.00 |

N-Pattern, OSY Shutoff Valves

| | | | GPM | CFM | | | | | |
|-----------|-----------------|--------|---------|---------|--------------|---|------|---|-----------|
| LEAD FREE | LF876V-DOSY-GPM | 2 1/2" | 0124472 | 0124474 | 098268835397 | 1 | 265 | - | 4,256.00 |
| | LF876V-DOSY-GPM | 3" | 0124476 | 0124844 | 098268835441 | 1 | 290 | - | 4,874.00 |
| | LF876V-DOSY-GPM | 4" | 0124478 | 0124480 | 098268835489 | 1 | 460 | - | 5,028.00 |
| | LF876V-DOSY-GPM | 6" | 0124483 | 0124485 | 098268835625 | 1 | 715 | - | 7,862.00 |
| | LF876V-DOSY-GPM | 8" | 0124488 | 0124490 | 098268835748 | 1 | 1160 | - | 15,539.00 |



LF856DCDA-OSY



LF876VDCDA
N-Shape Configuration

*The wetted surface of this product contacted by consumable water contains less than 0.25% of lead by weight.

Supersedes all other price lists / Prices subject to change / Weights are estimated

¹Grooved ends available on all OS&Y gate valves in some models and sizes. Expect larger lead times.

REDUCED PRESSURE ZONE ASSEMBLIES



A WATTS Brand

| Model | Size | Ordering Code | UPC | Net Content | Consumer Unit Weight (lbs) | Case Qty | Case Weight (lbs) | List Price |
|-------|------|---------------|-----|-------------|----------------------------|----------|-------------------|------------|
|-------|------|---------------|-----|-------------|----------------------------|----------|-------------------|------------|

REDUCED PRESSURE ZONE ASSEMBLIES-BRONZE BODY

With Quarter-Turn Shutoff Valves

| | | | | | | | | |
|------------|--------|--------|--------------|---|-------|---|---|-----------|
| 825Y-QT RP | 3/4" | 825DBV | 643925001686 | 1 | 12.9 | - | - | \$ 373.50 |
| 825Y-QT RP | 1" | 825EBV | 643925001815 | 1 | 14.06 | - | - | 393.50 |
| 825Y-QT RP | 1 1/4" | 825FBV | 643925001945 | 1 | 15.65 | - | - | 725.50 |
| 825Y-QT RP | 1 1/2" | 825GBV | 643925002003 | 1 | 32.2 | - | - | 747.00 |
| 825Y-QT RP | 2" | 825HBV | 643925002133 | 1 | 37.85 | - | - | 792.00 |



LF825Y-QT RP



825YA-QT RP

Standard Configuration

| | | | | | | | | |
|--------------|--------|---------|--------------|---|-------|---|---|----------|
| LF825Y-QT RP | 3/4" | 0683006 | 098268455274 | 1 | 12.9 | - | - | 494.50 |
| LF825Y-QT RP | 1" | 0683007 | 098268455281 | 1 | 14.06 | - | - | 521.00 |
| LF825Y-QT RP | 1 1/4" | 0683008 | 098268455298 | 1 | 15.65 | - | - | 960.00 |
| LF825Y-QT RP | 1 1/2" | 0683009 | 098268455304 | 1 | 32.2 | - | - | 990.00 |
| LF825Y-QT RP | 2" | 0683010 | 098268455311 | 1 | 37.85 | - | - | 1,049.00 |

With Angled Union Connections and Quarter-Turn Shutoff Valves

| | | | | | | | | |
|-------------|--------|----------|--------------|---|-------|---|---|----------|
| 825YA-QT RP | 3/4" | 825DBV70 | 643925001716 | 1 | 15.15 | - | - | 483.00 |
| 825YA-QT RP | 1" | 825EBV70 | 643925001853 | 1 | 16.15 | - | - | 514.50 |
| 825YA-QT RP | 1 1/2" | 825GBV70 | 643925002041 | 1 | 39 | - | - | 932.00 |
| 825YA-QT RP | 2" | 825HBV70 | 643925002164 | 1 | 44.75 | - | - | 1,008.00 |

| | | | | | | | | |
|---------------|--------|---------|--------------|---|-------|---|---|----------|
| LF825YA-QT RP | 3/4" | 0683011 | 098268455328 | 1 | 15.15 | - | - | 639.50 |
| LF825YA-QT RP | 1" | 0683012 | 098268455335 | 1 | 16.15 | - | - | 681.50 |
| LF825YA-QT RP | 1 1/2" | 0683013 | 098268455342 | 1 | 39 | - | - | 1,234.00 |
| LF825YA-QT RP | 2" | 0683014 | 098268455359 | 1 | 44.75 | - | - | 1,337.00 |

With Quarter-Turn Shutoff Valves

| | | | | | | | | |
|-----------|--------|------|--------------|---|-------|---|---|--------|
| 860-QT RP | 1/2" | 1311 | 643925000658 | 1 | 6.5 | - | - | 324.50 |
| 860-QT RP | 3/4" | 1312 | 643925000665 | 1 | 7.15 | - | - | 339.50 |
| 860-QT RP | 1" | 1313 | 643925000672 | 1 | 9.55 | - | - | 362.00 |
| 860-QT RP | 1 1/4" | 1314 | 643925000689 | 1 | 20.95 | - | - | 693.00 |
| 860-QT RP | 1 1/2" | 1315 | 643925000696 | 1 | 23.4 | - | - | 739.00 |
| 860-QT RP | 2" | 1316 | 643925000702 | 1 | 27.75 | - | - | 786.50 |



LF860-QT RP

| | | | | | | | | |
|-------------|--------|---------|--------------|---|-------|---|---|----------|
| LF860-QT RP | 1/2" | 0683000 | 098268455212 | 1 | 6.5 | - | - | 430.00 |
| LF860-QT RP | 3/4" | 0683001 | 098268455229 | 1 | 7.15 | - | - | 449.50 |
| LF860-QT RP | 1" | 0683002 | 098268455236 | 1 | 9.55 | - | - | 478.50 |
| LF860-QT RP | 1 1/4" | 0683003 | 098268455243 | 1 | 20.95 | - | - | 918.50 |
| LF860-QT RP | 1 1/2" | 0683004 | 098268455250 | 1 | 23.4 | - | - | 980.00 |
| LF860-QT RP | 2" | 0683005 | 098268455267 | 1 | 27.75 | - | - | 1,043.00 |

With Union Connections and Quarter-Turn Shutoff Valves

| | | | | | | | | |
|------------|--------|------|--------------|---|------|---|---|--------|
| 860U-QT RP | 1/2" | 2811 | 643925017564 | 1 | 7.25 | - | - | 393.00 |
| 860U-QT RP | 3/4" | 2812 | 643925017571 | 1 | 8.2 | - | - | 443.00 |
| 860U-QT RP | 1" | 2813 | 643925017588 | 1 | 10.6 | - | - | 484.50 |
| 860U-QT RP | 1 1/4" | 2814 | 643925017601 | 1 | 22.2 | - | - | 783.00 |
| 860U-QT RP | 1 1/2" | 2815 | 643925017625 | 1 | 25.9 | - | - | 893.50 |
| 860U-QT RP | 2" | 2816 | 643925017649 | 1 | 31.3 | - | - | 952.00 |

| | | | | | | | | |
|--------------|--------|---------|--------------|---|------|---|---|----------|
| LF860U-QT RP | 1/2" | 0122969 | 098268649987 | 1 | 7.25 | - | - | 521.00 |
| LF860U-QT RP | 3/4" | 0122970 | 098268649994 | 1 | 8.2 | - | - | 587.50 |
| LF860U-QT RP | 1" | 0122971 | 098268650006 | 1 | 10.6 | - | - | 642.50 |
| LF860U-QT RP | 1 1/4" | 0122972 | 098268650013 | 1 | 22.2 | - | - | 1,038.00 |
| LF860U-QT RP | 1 1/2" | 0122973 | 098268650020 | 1 | 25.9 | - | - | 1,186.00 |
| LF860U-QT RP | 2" | 0122974 | 098268650037 | 1 | 31.3 | - | - | 1,261.00 |

*The wetted surface of this product contacted by consumable water contains less than 0.25% of lead by weight.

Supersedes all other price lists / Prices subject to change / Weights are estimated

¹Grooved ends available on all OS&Y gate valves in some models and sizes. Expect larger lead times.

REDUCED PRESSURE ZONE ASSEMBLIES



A WATTS Brand

| Model | Size | Ordering Code | UPC | Net Content | Consumer Unit Weight (lbs) | Case Qty | Case Weight (lbs) | List Price |
|-------|------|---------------|-----|-------------|----------------------------|----------|-------------------|------------|
|-------|------|---------------|-----|-------------|----------------------------|----------|-------------------|------------|

REDUCED PRESSURE ZONE ASSEMBLIES-DUCTILE IRON BODY

Inline, Less Shutoff Valves

| LEAD FREE | Model | Size | Ordering Code | UPC | Net Content | Consumer Unit Weight (lbs) | Case Qty | Case Weight (lbs) | List Price |
|-----------|-------------|--------|---------------|--------------|-------------|----------------------------|----------|-------------------|-------------|
| | LF860-LG RP | 2 1/2" | 0122926 | 098268648126 | 1 | 195 | - | - | \$ 2,491.00 |
| | LF860-LG RP | 3" | 0122927 | 098268648133 | 1 | 195 | - | - | 2,896.00 |
| | LF860-LG RP | 4" | 0122928 | 098268648140 | 1 | 265 | - | - | 3,204.00 |
| | LF860-LG RP | 6" | 0122929 | 098268648232 | 1 | 360 | - | - | 5,098.00 |
| | LF860-LG RP | 8" | 0122930 | 098268648256 | 1 | 560 | - | - | 8,923.00 |
| | LF860-LG RP | 10" | 0122931 | 098268648263 | 1 | 635 | - | - | 12,160.00 |

Inline, NRS Shutoff Valves

| LEAD FREE | Model | Size | Ordering Code | UPC | Net Content | Consumer Unit Weight (lbs) | Case Qty | Case Weight (lbs) | List Price |
|-----------|--------------|--------|---------------|--------------|-------------|----------------------------|----------|-------------------|------------|
| | LF860-NRS RP | 2 1/2" | 0122932 | 098268648331 | 1 | 295 | - | - | 3,735.00 |
| | LF860-NRS RP | 3" | 0122933 | 098268648348 | 1 | 320 | - | - | 4,343.00 |
| | LF860-NRS RP | 4" | 0122934 | 098268648355 | 1 | 465 | - | - | 4,805.00 |
| | LF860-NRS RP | 6" | 0122935 | 098268648393 | 1 | 645 | - | - | 7,645.00 |
| | LF860-NRS RP | 8" | 0122936 | 098268648492 | 1 | 1040 | - | - | 13,385.00 |
| | LF860-NRS RP | 10" | 0122937 | 098268648508 | 1 | 1440 | - | - | 18,240.00 |

Inline, Less Shutoff Valves

| LEAD FREE | Model | Size | Ordering Code | UPC | Net Content | Consumer Unit Weight (lbs) | Case Qty | Case Weight (lbs) | List Price |
|-----------|---------------|--------|---------------|--------------|-------------|----------------------------|----------|-------------------|------------|
| | LF860-DOSY RP | 2 1/2" | 0683098 | 643925026283 | 1 | 300 | - | - | 3,985.00 |
| | LF860-DOSY RP | 3" | 0683099 | 643925026290 | 1 | 325 | - | - | 4,633.00 |
| | LF860-DOSY RP | 4" | 0683100 | 643925026306 | 1 | 475 | - | - | 5,125.00 |
| | LF860-DOSY RP | 6" | 0683101 | 643925026313 | 1 | 665 | - | - | 8,154.00 |
| | LF860-DOSY RP | 8" | 0683102 | 643925026320 | 1 | 1070 | - | - | 14,276.00 |
| | LF860-DOSY RP | 10" | 0683103 | 643925026337 | 1 | 1480 | - | - | 19,455.00 |

N-Pattern, Less Shutoff Valves

| LEAD FREE | Model | Size | Ordering Code | UPC | Net Content | Consumer Unit Weight (lbs) | Case Qty | Case Weight (lbs) | List Price |
|-----------|--------------|--------|---------------|--------------|-------------|----------------------------|----------|-------------------|------------|
| | LF880V-LG RP | 2 1/2" | 0122945 | 098268649000 | 1 | 165 | - | - | 2,753.00 |
| | LF880V-LG RP | 3" | 0122946 | 098268649024 | 1 | 165 | - | - | 3,202.00 |
| | LF880V-LG RP | 4" | 0122947 | 098268649048 | 1 | 255 | - | - | 3,540.00 |
| | LF880V-LG RP | 6" | 0122948 | 098268649109 | 1 | 415 | - | - | 5,634.00 |
| | LF880V-LG RP | 8" | 0122949 | 098268649116 | 1 | 660 | - | - | 9,863.00 |

N-Pattern, NRS Shutoff Valves

| LEAD FREE | Model | Size | Ordering Code | UPC | Net Content | Consumer Unit Weight (lbs) | Case Qty | Case Weight (lbs) | List Price |
|-----------|---------------|--------|---------------|--------------|-------------|----------------------------|----------|-------------------|------------|
| | LF880V-NRS RP | 2 1/2" | 0122951 | 098268649130 | 1 | 265 | - | - | 4,130.00 |
| | LF880V-NRS RP | 3" | 0122952 | 098268649147 | 1 | 290 | - | - | 4,801.00 |
| | LF880V-NRS RP | 4" | 0122953 | 098268649154 | 1 | 455 | - | - | 5,310.00 |
| | LF880V-NRS RP | 6" | 0122954 | 098268649208 | 1 | 700 | - | - | 8,451.00 |
| | LF880V-NRS RP | 8" | 0122955 | 098268649215 | 1 | 1135 | - | - | 14,794.00 |

N-Pattern, OSY Shutoff Valves

| LEAD FREE | Model | Size | Ordering Code | UPC | Net Content | Consumer Unit Weight (lbs) | Case Qty | Case Weight (lbs) | List Price |
|-----------|----------------|--------|---------------|---------------|-------------|----------------------------|----------|-------------------|------------|
| | LF880V-DOSY RP | 2 1/2" | 0683134 | 6439255026641 | 1 | 270 | - | - | 4,404.00 |
| | LF880V-DOSY RP | 3" | 0683135 | 6439255026658 | 1 | 295 | - | - | 5,121.00 |
| | LF880V-DOSY RP | 4" | 0683136 | 6439255026665 | 1 | 465 | - | - | 5,665.00 |
| | LF880V-DOSY RP | 6" | 0683137 | 6439255026672 | 1 | 720 | - | - | 9,013.00 |
| | LF880V-DOSY RP | 8" | 0683138 | 6439255026689 | 1 | 1165 | - | - | 15,780.00 |



LF860-NRS RP



LF880V
N-Shape Configuration

*The wetted surface of this product contacted by consumable water contains less than 0.25% of lead by weight.

Supersedes all other price lists / Prices subject to change / Weights are estimated

¹Grooved ends available on all OS&Y gate valves in some models and sizes. Expect larger lead times.

REDUCED PRESSURE DETECTOR ASSEMBLIES



A WATTS Brand

| Model | Size | Ordering Code | UPC | Net Content | Consumer Unit Weight (lbs) | Case Qty | Case Weight (lbs) | List Price |
|-------|------|---------------|-----|-------------|----------------------------|----------|-------------------|------------|
|-------|------|---------------|-----|-------------|----------------------------|----------|-------------------|------------|

REDUCED PRESSURE DETECTOR ASSEMBLIES (TYPE II) DUCTILE IRON BODY

Inline Pattern Less Shutoff Valves



LF866

| | | GPM | CFM | | | | | |
|----------|--------|---------|---------|--------------|---|-----|---|-------------|
| LF866-LG | 2 1/2" | 0683150 | 0683156 | 098268077797 | 1 | 205 | - | \$ 3,037.00 |
| LF866-LG | 3" | 0683151 | 0683157 | 098268077803 | 1 | 211 | - | 3,531.00 |
| LF866-LG | 4" | 0683152 | 0683158 | 098268077810 | 1 | 280 | - | 3,907.00 |
| LF866-LG | 6" | 0683153 | 0683159 | 098268077827 | 1 | 375 | - | 6,215.00 |
| LF866-LG | 8" | 0683154 | 0683160 | 098268077858 | 1 | 525 | - | 10,882.00 |
| LF866-LG | 10" | 0683155 | 0683161 | 098268077896 | 1 | 650 | - | 14,828.00 |

Inline Pattern, OSY Shutoff Valves

| | | GPM | CFM | | | | | |
|------------|--------|---------|---------|--------------|---|------|---|-----------|
| LF866-DOSY | 2 1/2" | 0683162 | 0683163 | 098268078022 | 1 | 315 | - | 4,857.00 |
| LF866-DOSY | 3" | 0683164 | 0683165 | 098268078039 | 1 | 340 | - | 5,649.00 |
| LF866-DOSY | 4" | 0683166 | 0683167 | 098268078060 | 1 | 450 | - | 6,248.00 |
| LF866-DOSY | 6" | 0683168 | 0683169 | 098268078114 | 1 | 680 | - | 9,943.00 |
| LF866-DOSY | 8" | 0683170 | 0683171 | 098268078145 | 1 | 1080 | - | 17,408.00 |
| LF866-DOSY | 10" | 0683172 | 0683173 | 098268078169 | 1 | 1495 | - | 23,724.00 |

N-Pattern, OSY Shutoff Valves



LF886V

| | | GPM | CFM | | | | | |
|-------------|--------|---------|---------|--------------|---|------|---|-----------|
| LF886V-DOSY | 2 1/2" | 0683210 | 0683211 | 098268079166 | 1 | 288 | - | 5,343.00 |
| LF886V-DOSY | 3" | 0683212 | 0683213 | 098268079210 | 1 | 320 | - | 6,214.00 |
| LF886V-DOSY | 4" | 0683214 | 0683215 | 098268079241 | 1 | 480 | - | 6,874.00 |
| LF886V-DOSY | 6" | 0683216 | 0683217 | 098268079364 | 1 | 735 | - | 10,938.00 |
| LF886V-DOSY | 8" | 0683218 | 0683219 | 098268079395 | 1 | 1180 | - | 19,149.00 |

*The wetted surface of this product contacted by consumable water contains less than 0.25% of lead by weight.

Supersedes all other price lists / Prices subject to change / Weights are estimated

¹Grooved ends available on all OS&Y gate valves in some models and sizes. Expect larger lead times.

| Model | Size | Ordering Code | UPC | Net Content | Consumer Unit Weight (lbs) | Case Qty | Case Weight (lbs) | List Price |
|-------|------|---------------|-----|-------------|----------------------------|----------|-------------------|------------|
|-------|------|---------------|-----|-------------|----------------------------|----------|-------------------|------------|

Atmospheric Vacuum Breaker

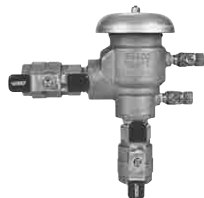
| | | | | | | | | |
|----------|--------|------|--------------|---|------|---|---|----------|
| 715A AVB | 1/2" | 715C | 643925001020 | 1 | 1 | - | - | \$ 69.75 |
| 715A AVB | 3/4" | 715D | 643925001051 | 1 | 1.39 | - | - | 78.00 |
| 710A AVB | 1" | 710E | 643925000948 | 1 | 2.12 | - | - | 101.50 |
| 710A AVB | 1 1/4" | 710F | 643925000962 | 1 | 3.49 | - | - | 168.00 |
| 710A AVB | 1 1/2" | 710G | 643925000986 | 1 | 5.84 | - | - | 179.00 |
| 710A AVB | 2" | 710H | 643925001006 | 1 | 6 | - | - | 239.00 |



710 / 715 AVB

Pressure Vacuum Breaker with Quarter-Turn Shutoffs

| | | | | | | | | |
|------------|--------|--------|--------------|---|------|---|---|--------|
| 765-QT PVB | 1/2" | 765CBV | 643925001105 | 1 | 3.1 | - | - | 136.50 |
| 765-QT PVB | 3/4" | 765DBV | 643925001112 | 1 | 3.6 | - | - | 138.50 |
| 765-QT PVB | 1" | 765EBV | 643925001136 | 1 | 8.35 | - | - | 156.00 |
| 765-QT PVB | 1 1/4" | 765FBV | 643925001150 | 1 | 8.4 | - | - | 466.00 |
| 765-QT PVB | 1 1/2" | 765GBV | 643925001174 | 1 | 19.4 | - | - | 512.00 |
| 765-QT PVB | 2" | 765HBV | 643925001198 | 1 | 22.2 | - | - | 568.50 |



765-QT PVB

Pressure Vacuum Breaker w/Union Connections and Quarter-Turn Shutoffs

| | | | | | | | | |
|-------------|--------|--------|--------------|---|-------|---|---|--------|
| U765-QT PVB | 1/2" | 765CUB | 643925017953 | 1 | 4 | - | - | 154.00 |
| U765-QT PVB | 3/4" | 765DUB | 643925017960 | 1 | 4.75 | - | - | 156.00 |
| U765-QT PVB | 1" | 765EUB | 643925017977 | 1 | 8.35 | - | - | 180.00 |
| U765-QT PVB | 1 1/4" | 765FUB | 643925017984 | 1 | 10.81 | - | - | 512.00 |
| U765-QT PVB | 1 1/2" | 765GUB | 643925017991 | 1 | 23.4 | - | - | 585.00 |
| U765-QT PVB | 2" | 765HUB | 643925018004 | 1 | 28.75 | - | - | 657.00 |

Freeze Resistant Pressure Vacuum Breaker with Quarter-Turn Shutoffs

| | | | | | | | | |
|-------------|--------|---------|--------------|---|-------|---|---|--------|
| LF767FR PVB | 1/2" | 0683027 | 098268455489 | 1 | 3.3 | - | - | 384.00 |
| LF767FR PVB | 3/4" | 0683028 | 098268455496 | 1 | 4.1 | - | - | 384.00 |
| LF767FR PVB | 1" | 0683029 | 098268455502 | 1 | 5.9 | - | - | 389.00 |
| LF767FR PVB | 1 1/4" | 0683030 | 098268455519 | 1 | 11.3 | - | - | 697.00 |
| LF767FR PVB | 1 1/2" | 0683031 | 098268455526 | 1 | 16.52 | - | - | 784.00 |
| LF767FR PVB | 2" | 0683032 | 098268455533 | 1 | 17.8 | - | - | 881.00 |



LF767FR

*The wetted surface of this product contacted by consumable water contains less than 0.25% of lead by weight.

Supersedes all other price lists / Prices subject to change / Weights are estimated

¹Grooved ends available on all OS&Y gate valves in some models and sizes. Expect larger lead times.

| Model | Size | Ordering Code | UPC | Net Content | Consumer Unit Weight (lbs) | Case Qty | Case Weight (lbs) | List Price |
|-----------------|--------------|---------------|--------------|-------------|----------------------------|----------|-------------------|------------|
| Air Gap | | | | | | | | |
| 867-AG-1 | 2 1/2" - 3" | 0710199 | 643925022162 | 1 | 4.23 | 6 | 25.37 | \$ 96.50 |
| 867-AGE-1 | 2 1/2" - 3" | 0710200 | 643925022179 | 1 | 3.06 | 6 | 18.6 | 172.50 |
| 825Y-AG Plastic | 3/4" - 2" | 905082 | 643925000467 | 1 | 0.55 | - | - | 23.25 |
| 825Y-AG Metal | 2 1/2" - 10" | 905083 | 643925014600 | 1 | 1.55 | - | - | 97.50 |
| 601-AG Metal | 2 1/2" - 10" | 905213 | 643925000450 | 1 | 2.6 | - | - | 90.50 |
| 601-AG Plastic | 1/2" - 1" | 905358 | 643925018943 | 1 | 0.51 | - | - | 18.75 |
| 601-AG Plastic | 1 1/4" - 2" | 905359 | 643925018950 | 1 | 0.82 | - | - | 24.25 |
| 825Y-AG Metal | 3/4" - 2" | 905531 | 643925019186 | 1 | 0.92 | - | - | 44.25 |
| 860-AG Metal | 1/2" - 1" | 905532 | 643925019209 | 1 | 1.68 | - | - | 30.00 |
| 860-AG Aluminum | 1 1/4" - 2" | 905533 | 643925019216 | 1 | 2.81 | - | - | 41.25 |



601-AG

VALVE SETTERS FOR SERIES LF870V, LF876VST, LF880V, LF886V

Mechanical Joint x Flange

| | | | | | | | | | |
|-----------|-------------|-----|--------|--------------|---|-----|---|---|----------|
| LEAD FREE | 611-MJ x FL | 3" | 905199 | 643925015249 | 1 | 105 | - | - | 422.50 |
| | 611-MJ x FL | 4" | 905200 | 643925015256 | 1 | 112 | - | - | 532.00 |
| | 611-MJ x FL | 6" | 905201 | 643925015263 | 1 | 232 | - | - | 696.00 |
| | 611-MJ x FL | 8" | 905202 | 643925015270 | 1 | 334 | - | - | 930.50 |
| | 611-MJ x FL | 10" | 905203 | 643925015287 | 1 | 395 | - | - | 1,383.00 |

Flange x Flange

| | | | | | | | | | |
|-----------|-------------|--------|--------|--------------|---|-----|---|---|----------|
| LEAD FREE | 611-FL x FL | 2 1/2" | 905204 | 643925015294 | 1 | 102 | - | - | 400.00 |
| | 611-FL x FL | 3" | 905205 | 643925015300 | 1 | 89 | - | - | 422.50 |
| | 611-FL x FL | 4" | 905206 | 643925015317 | 1 | 113 | - | - | 532.00 |
| | 611-FL x FL | 6" | 905207 | 643925015324 | 1 | 229 | - | - | 696.00 |
| | 611-FL x FL | 8" | 905208 | 643925015331 | 1 | 330 | - | - | 930.50 |
| | 611-FL x FL | 10" | 905209 | 643925015348 | 1 | 430 | - | - | 1,383.00 |

Mechanical Joint x Mechanical Joint

| | | | | | | | | | |
|-----------|-------------|-----|--------|--------------|---|-----|---|---|----------|
| LEAD FREE | 611-MJ x MJ | 3" | 905329 | 643925015959 | 1 | 105 | - | - | 422.50 |
| | 611-MJ x MJ | 4" | 905330 | 643925015966 | 1 | 109 | - | - | 532.00 |
| | 611-MJ x MJ | 6" | 905331 | 643925015973 | 1 | 248 | - | - | 696.00 |
| | 611-MJ x MJ | 8" | 905332 | 643925015980 | 1 | 335 | - | - | 930.50 |
| | 611-MJ x MJ | 10" | 905333 | 643925015997 | 1 | 328 | - | - | 1,383.00 |



611-FL x FL



611-MJ x MJ

*The wetted surface of this product contacted by consumable water contains less than 0.25% of lead by weight.

Supersedes all other price lists / Prices subject to change / Weights are estimated

¹Grooved ends available on all OS&Y gate valves in some models and sizes. Expect larger lead times.

ACCESSORIES



A WATTS Brand

| Model | Size | Ordering Code | UPC | Net Content | Consumer Unit Weight (lbs) | Case Qty | Case Weight (lbs) | List Price |
|-------|------|---------------|-----|-------------|----------------------------|----------|-------------------|------------|
|-------|------|---------------|-----|-------------|----------------------------|----------|-------------------|------------|

Copper Silicon Alloy Wye-Strainer

| | | | | | | | | | |
|-----------|--------|--------|---------|--------------|---|------|----|-------|----------|
| LEAD FREE | LF650A | 1/2" | 0122975 | 098268650044 | 1 | 1 | 8 | 8 | \$ 33.00 |
| | LF650A | 3/4" | 0122976 | 098268707380 | 1 | 1.87 | 12 | 22.4 | 39.00 |
| | LF650A | 1" | 0122977 | 098268650181 | 1 | 1.75 | 6 | 10.5 | 51.25 |
| | LF650A | 1 1/4" | 0122978 | 098268650198 | 1 | 3.72 | 3 | 11.18 | 80.75 |
| | LF650A | 1 1/2" | 0122979 | 098268707397 | 1 | 4.75 | 4 | 19 | 106.00 |
| | LF650A | 2" | 0122980 | 098268707403 | 1 | 7.1 | 3 | 21.3 | 162.50 |



LF650A

Epoxy Coated Iron Wye-Strainer

| | | | | | | | | | |
|-----------|------|--------|------|--------------|---|-------|---|---|----------|
| LEAD FREE | 758A | 2 1/2" | 4325 | 098268343274 | 1 | 32.54 | - | - | 296.00 |
| | 758A | 3" | 4326 | 098268343281 | 1 | 36 | - | - | 327.00 |
| | 758A | 4" | 4327 | 098268343298 | 1 | 69.85 | - | - | 496.50 |
| | 758A | 6" | 4328 | 098268343304 | 1 | 159 | - | - | 917.50 |
| | 758A | 8" | 4329 | 098268343311 | 1 | 270 | - | - | 1,935.00 |
| | 758A | 10" | 4330 | 098268343328 | 1 | 393 | - | - | 3,157.00 |



758A

Epoxy Coated Spool for Series 850/LF850, 856, 856ST, 860/LF860

| | | | | | | | | | |
|-----------|-------|----|--------|--------------|---|-------|---|---|--------|
| LEAD FREE | Spool | 4" | 905523 | 643925019810 | 1 | 25.33 | - | - | 241.50 |
| | Spool | 6" | 905524 | 643925019827 | 1 | 36.57 | - | - | 295.00 |
| | Spool | 8" | 905525 | 643925019834 | 1 | 51.95 | - | - | 367.00 |

Full Port Test Cock

| | | | | | | | | | |
|-----------|----------------|-----------|----------|--------------|---|------|---|---|-------|
| LEAD FREE | LFFPTC-F | 1/8" | 781074LL | 098268504194 | 1 | 0.13 | - | - | 12.25 |
| | LFFPTC-F | 1/4" | 781075LL | 098268504200 | 1 | 0.13 | - | - | 12.25 |
| | LFFPTC-M | 1/8"x1/4" | 0124835 | 098268845006 | 1 | 0.10 | - | - | 11.25 |
| | SAE TC ADAPTOR | 1/4"x1/4" | 781076 | 098268472417 | 1 | 0.21 | - | - | 26.25 |



LFFPTC-1

Backflow Test Kit for all Testable Assemblies

| | | | | | | | | |
|-----|----|---------|--------------|---|-----|---|---|----------|
| TK1 | NA | 0710194 | 643925022117 | 1 | 7.9 | - | - | 2,898.00 |
|-----|----|---------|--------------|---|-----|---|---|----------|

Stand fits all valve sizes - Adjustable 10 - 38 IN

| | | | | | | | | |
|---------|--|---------|--------------|---|----|---|----|--------|
| BFSTD-1 | | 0710249 | 643925025118 | 1 | 20 | - | 20 | 234.00 |
|---------|--|---------|--------------|---|----|---|----|--------|

Gate Valve Mounting Kit for 2 1/2 - 10 DuraCheck and Master Series

| | | | | | | | | |
|--------------|--------|--------|--------------|---|-------|---|---|--------|
| FAK 2 1/2 MT | 2 1/2" | 905036 | 643925014402 | 1 | 4.44 | - | - | 103.50 |
| FAK 3 MT | 3" | 905037 | 643925014419 | 1 | 3.88 | - | - | 116.50 |
| FAK 4 MT | 4" | 905038 | 643925014426 | 1 | 7.0 | - | - | 216.50 |
| FAK 6 MT | 6" | 905039 | 643925014433 | 1 | 13.01 | - | - | 246.00 |
| FAK 8 MT | 8" | 905040 | 643925014440 | 1 | 10.82 | - | - | 254.50 |
| FAK 10 MT | 10" | 905041 | 643925014457 | 1 | 30.06 | - | - | 414.50 |

IRRIGATION SPECIALTIES

| Model | Size | Ordering Code | UPC | Net Content | Consumer Unit Weight (lbs) | Case Qty | Case Weight (lbs) | List Price |
|-------|------|---------------|-----|-------------|----------------------------|----------|-------------------|------------|
|-------|------|---------------|-----|-------------|----------------------------|----------|-------------------|------------|

Irrigation Specialties

Key Operated Wall Hydrant

| | | | | | | | | |
|----------|------------|---------|--------------|---|------|---|---|-----------|
| FPHB1-8 | 3/4" x 8" | 0710013 | 643925020304 | 1 | 7.95 | - | - | \$ 479.00 |
| FPHB1-10 | 3/4" x 10" | 0710014 | 643925020311 | 1 | 7.8 | - | - | 496.00 |
| FPHB1-12 | 3/4" x 12" | 0710015 | 643925020328 | 1 | 8.58 | - | - | 503.00 |
| FPHB1-8 | 1" x 8" | 0710016 | 643925020335 | 1 | 7.7 | - | - | 480.00 |
| FPHB1-10 | 1" x 10" | 0710017 | 643925020342 | 1 | 8.25 | - | - | 499.00 |
| FPHB1-12 | 1" x 12" | 0710018 | 643925020359 | 1 | 8.68 | - | - | 510.50 |



FPHB1

*The wetted surface of this product contacted by consumable water contains less than 0.25% of lead by weight.

Supersedes all other price lists / Prices subject to change / Weights are estimated

¹Grooved ends available on all OS&Y gate valves in some models and sizes. Expect larger lead times.

HOW TO ORDER REPAIR KITS

1. Determine FEBCO Model number and unit size, typically these are cast into the body of the unit and/or imprinted on the valve label.
2. Locate the page corresponding to the Model number and determine the parts needing replacement.
3. Obtain the part number for the repair kit containing the parts required.
4. Contact your FEBCO Distributor to order the repair kit.
5. A more detailed description of repair procedures can be found in the FEBCO Maintenance Manual. Maintenance Manuals are available from your local FEBCO Representative or can be downloaded from the FEBCO website at www.FEBCOonline.com.

QUICK REFERENCE PARTS LIST

Following is a list of the most commonly used items for the repair and service of FEBCO Backflow Preventers. A more comprehensive list follows. Visit www.FEBCOonline.com to download the FEBCO Parts Selection Guide which can help identify specific part numbers needed to repair your FEBCO unit.

FEBCO Model 765

| Ordering Code | Size | Desc. | List Price |
|---------------|-------------|---------------------|------------|
| 901857 | 1 1/2" & 2" | Bonnet Assembly Kit | \$ 116.00 |
| 901860 | 1 1/2" & 2" | Poppet Assembly Kit | 35.50 |
| 905020 | 1/2" & 3/4" | Rubber Parts Kit | 25.50 |
| 905021 | 1" & 1 1/4" | Rubber Parts Kit | 28.50 |
| 905022 | 1 1/2" & 2" | Rubber Parts Kit | 32.50 |
| 905047 | 1/2" & 3/4" | Bonnet Assembly Kit | 28.50 |
| 905048 | 1" & 1 1/4" | Bonnet Assembly Kit | 34.00 |
| 905049 | 1/2" & 3/4" | Poppet Assembly Kit | 17.00 |
| 905050 | 1" & 1 1/4" | Poppet Assembly Kit | 22.75 |
| 905051 | 1/2" & 3/4" | Check Assembly Kit | 24.25 |
| 905052 | 1" & 1 1/4" | Check Assembly Kit | 29.75 |
| 905070 | 1 1/2" & 2" | Check Assembly Kit | 83.50 |
| 905211 | 1/2" & 3/4" | Bonnet/Poppet Kit | 35.50 |
| 905212 | 1" & 1 1/4" | Bonnet/Poppet Kit | 44.00 |

FEBCO Models 850/LF850, 850U/LF850U, 860/LF860 & 860U/LF860U (1/2" - 2")

| Ordering Code | Size | Desc. | List Price |
|---------------|-------------|-------------------------------|------------|
| 905342 | 1/2" & 3/4" | Rubber Kit for both checks | \$ 10.00 |
| 905343 | 1" | Rubber Kit for both checks | 11.50 |
| 905344 | 1 1/4" - 2" | Rubber Kit for both checks | 21.25 |
| 905345 | 1/2" - 1" | Relief Valve Rubber Kit | 24.25 |
| 905346 | 1 1/4" - 2" | Relief Valve Rubber Kit | 34.00 |
| 905347 | 1/2" & 3/4" | Single Check Kit (860 outlet) | 28.50 |
| 905349 | 1" | Single Check Kit (860 outlet) | 32.50 |
| 905351 | 1 1/4" - 2" | Single Check Kit (860 outlet) | 34.00 |
| 905348 | 1/2" & 3/4" | 860 Inlet Check Kit | 29.75 |
| 905350 | 1" | 860 Inlet Check Kit | 34.00 |
| 905352 | 1 1/4" - 2" | 860 Inlet Check Kit | 34.00 |
| 905353 | 1/2" - 1" | Full Relief Valve Module Kit | 122.00 |
| 905354 | 1 1/4" - 2" | Full Relief Valve Module Kit | 166.50 |
| 905355 | 1/2" & 3/4" | Check & RV Rubber Kit | 32.50 |
| 905356 | 1" | Check & RV Rubber Kit | 34.00 |
| 905357 | 1 1/4" - 2" | Check & RV Rubber Kit | 49.75 |

FEBCO DURACHECK (2 1/2" - 10") MODELS 805YD, 806YD, 825YD, 826YD

| Ordering Code | Size | Desc. | List Price |
|---------------|--------|-------------------------|------------|
| 905059 | 2 1/2" | Rubber Parts Kit | \$ 38.25 |
| 905060 | 3" | Rubber Parts Kit | 56.75 |
| 905061 | 4" | Rubber Parts Kit | 86.25 |
| 905062 | 6" | Rubber Parts Kit | 123.00 |
| 905063 | 8" | Rubber Parts Kit | 168.50 |
| 905064 | 10" | Rubber Parts Kit | 198.00 |
| 905102 | All | Relief Valve Rubber Kit | 168.50 |

FEBCO Models 825Y/LF825Y, 825YA/LF825YA (1/2" - 2")

| Ordering Code | Size | Desc. | List Price |
|---------------|---------------|----------------------------|------------|
| 905042 | 3/4" - 1 1/4" | Rubber Kit for both checks | \$ 18.50 |
| 905053 | 1 1/2" & 2" | Rubber Kit for both checks | 29.75 |
| 905043 | 3/4" - 1 1/4" | Relief Valve Rubber Kit | 32.50 |
| 905054 | 1 1/2" & 2" | Relief Valve Rubber Kit | 56.75 |
| 905111 | 3/4" - 1 1/4" | Complete Rubber Kit | 41.00 |
| 905112 | 1 1/2" & 2" | Complete Rubber Kit | 83.50 |
| 905044 | 3/4" - 1 1/4" | Single Check Kit | 51.00 |
| 905055 | 1 1/2" & 2" | Single Check Kit | 76.50 |
| 905045 | 3/4" - 1 1/4" | Relief Valve Kit | 160.00 |
| 905056 | 1 1/2" & 2" | Relief Valve Kit | 243.50 |
| 905113 | 3/4" & 1" | Relief Valve Seat Ring Kit | 32.50 |
| 905114 | 1 1/2" & 2" | Relief Valve Seat Ring Kit | 45.25 |
| 905417 | 3/4" & 1" | Relief Valve Seat Kit | 43.75 |
| 905418 | 1 1/2" & 2" | Relief Valve Seat Kit | 60.75 |

FEBCO MasterSeries (2 1/2" - 10") Models 850, 856, 870V, 876V, 860, 880V

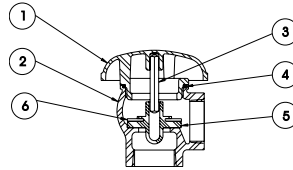
| Ordering Code | Size | Desc. | List Price |
|---------------|-------------------|----------------------------|------------|
| 905153 | 4" | DC/DCDA Disc Assembly | \$ 114.50 |
| 905154 | 6" | DC/DCDA Disc Assembly | 143.00 |
| 905155 | 8" | DC/DCDA Disc Assembly | 267.50 |
| 905162 | 2 1/2" - 3" | DC/DCDA Rubber Parts Kit | 222.00 |
| 905163 | 4" | DC/DCDA Rubber Parts Kit | 222.00 |
| 905164 | 6" | DC/DCDA Rubber Parts Kit | 307.00 |
| 905165 | 8" (&10" 850/856) | DC/DCDA Rubber Parts Kit | 667.50 |
| 905187 | 2 1/2" & 3" | 860 Check & RV Rubber Kit | 343.50 |
| 905188 | 4" | 860 Check & RV Rubber Kit | 343.50 |
| 905189 | 6" | 860 Check & RV Rubber Kit | 393.00 |
| 905190 | 8" &10" | 860 Check & RV Rubber Kit | 678.50 |
| 905224 | 2 1/2" & 3" | 880 Disc Assembly | 114.50 |
| 905225 | 4" | 880 Disc Assembly | 114.50 |
| 905226 | 6" | 880 Disc Assembly | 143.00 |
| 905227 | 2 1/2" & 3" | 880 Check & RV Rubber Kit | 343.50 |
| 905228 | 4" | 880 Check & RV Rubber Kit | 343.50 |
| 905229 | 6" | 880 Check & RV Rubber Kit | 393.00 |
| 905316 | All | RP Relief Valve Rubber Kit | 96.25 |

FEBCO MODELS 710, 715

| Ordering Code | Size | Desc. | List Price |
|---------------|--------|---------------------|------------|
| 901217 | 1" | 710 Bonnet/Stem Kit | \$ 21.25 |
| 901549 | 1" | 710 Poppet Kit | 12.75 |
| 901550 | 1 1/4" | 710 Poppet Kit | 24.25 |
| 901551 | 1 1/2" | 710 Poppet Kit | 44.00 |
| 901552 | 2" | 710 Poppet Kit | 45.25 |
| 905046 | All | 715 Poppet Kit | 12.75 |

710/715

1/2" - 2" Atmospheric Vacuum Breaker



| Ordering Code | Size | List Price |
|----------------------------------|-----------|------------|
| Model 715 Bonnet/Stem Kit | | |
| 901217 | 1/2"-3/4" | \$ 21.25 |
| 901250 | 1" | 31.25 |

Kit Includes: Items 1 & 3

| Ordering Code | Size | List Price |
|-----------------------------|-----------|------------|
| Model 715 Poppet Kit | | |
| 905046 | 1/2"-3/4" | 12.75 |
| 901549 | 1" | 12.75 |

Kit Includes: Items 4, 5 & 6

| Ordering Code | Size | List Price |
|----------------------------------|--------|------------|
| Model 710 Bonnet/Stem Kit | | |
| 901251 | 1 1/4" | \$ 62.25 |
| 901252 | 1 1/2" | 62.25 |
| 901253 | 2" | 73.50 |

Kit Includes: Items 1 & 3

| Ordering Code | Size | List Price |
|-----------------------------|--------|------------|
| Model 710 Poppet Kit | | |
| 901550 | 1 1/4" | 24.25 |
| 901551 | 1 1/2" | 44.00 |
| 901552 | 2" | 45.25 |

Kit Includes: Items 4, 5 & 6

765

1/2" - 2" Pressure Vacuum Breaker

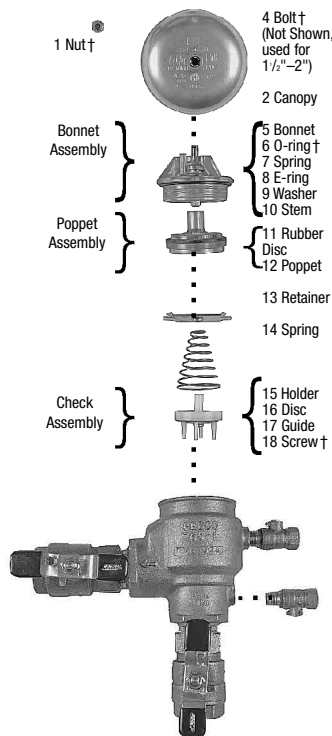


Illustration shown is for sizes 3/4" through 1 1/4" only.

Bonnet and bolt for 1/2" and 2" not shown.

† Commercial Parts

‡ The FEBCO Model 765 design differs slightly from the illustration for sizes 1 1/2" and 2". Kits may include additional parts not listed on diagram.

*The wetted surface of this product contacted by consumable water contains 0.25% of lead by weight.

Supersedes all other price lists / Prices subject to change / Weights are estimated

† Grooved ends available on all OS&Y gate valves in some models and sizes. Expect larger lead times.

| Ordering Code | Size | List Price |
|--------------------------|-----------|------------|
| Bonnet/Poppet Kit | | |
| 905211 | 1/2"-3/4" | \$ 35.50 |
| 905212 | 1"-1 1/4" | 44.00 |

Kit Includes: Items 5-12

| Ordering Code | Size | List Price |
|----------------------------|-----------|------------|
| Poppet Assembly Kit | | |
| 905049 | 1/2"-3/4" | 17.00 |
| 905050 | 1"-1 1/4" | 22.75 |
| 901860 | 1 1/2"-2" | 35.50 |

Kit Includes: Items 11, 12

| Ordering Code | Size | List Price |
|----------------------------|-----------|------------|
| Bonnet Assembly Kit | | |
| 905047 | 1/2"-3/4" | 28.50 |
| 905048 | 1"-1 1/4" | 34.00 |
| 901857 | 1 1/2"-2" | 116.00 |

Kit Includes: Items 5-10

| Ordering Code | Size | List Price |
|---------------------------|-----------|------------|
| Check Assembly Kit | | |
| 905051 | 1/2"-3/4" | 24.25 |
| 905052 | 1"-1 1/4" | 29.75 |
| 905070 | 1 1/2"-2" | 83.50 |

Kit Includes: Items 15-18

| Ordering Code | Size | List Price |
|-------------------------|-----------|------------|
| Rubber Parts Kit | | |
| 905020 | 1/2"-3/4" | 25.50 |
| 905021 | 1"-1 1/4" | 28.50 |
| 905022 | 1 1/2"-2" | 32.50 |

Kit Includes: Items 6, 11, 16

| Ordering Code | Size | List Price |
|---------------|-----------|------------|
| Canopy | | |
| 300092 | 1/2" | 21.25 |
| 300093 | 3/4" | 21.25 |
| 300089 | 1"-1 1/4" | 27.00 |
| 300083 | 1 1/2"-2" | 38.25 |

Kit Includes: Item 2

| Ordering Code | Size | List Price |
|-----------------|-----------|------------|
| Retainer | | |
| 300096 | 1/2"-3/4" | 11.50 |
| 300088 | 1"-1 1/4" | 12.75 |

Included in Check Kit‡

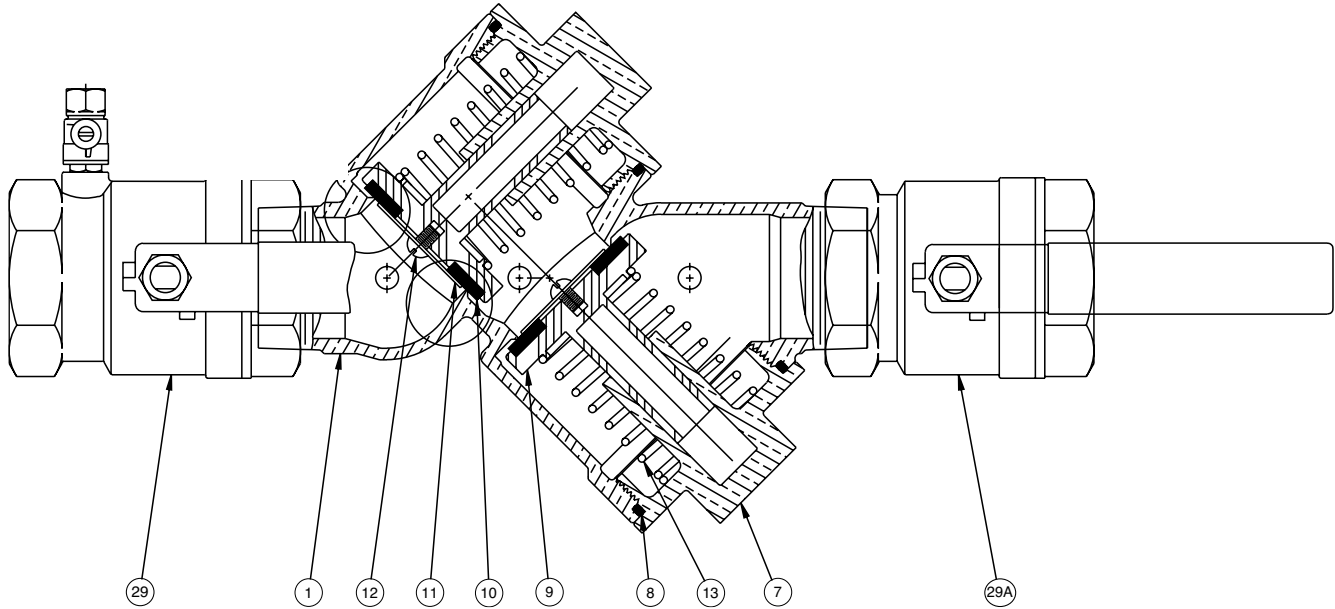
Kit Includes: Item 13

| Ordering Code | Size | List Price |
|---------------------|-----------|------------|
| Check Spring | | |
| 630108 | 1/2"-3/4" | 11.50 |
| 630106 | 1"-1 1/4" | 12.75 |
| 630063 | 1 1/2"-2" | 19.25 |

Kit Includes: Item 14

805Y, 805YB, 805YS

3/4" - 2" Double Check Valve Assembly



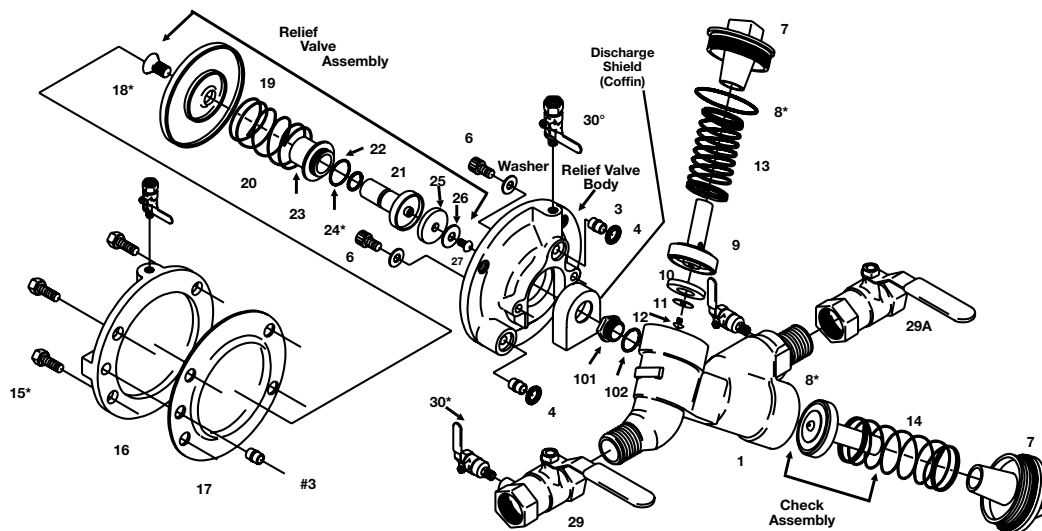
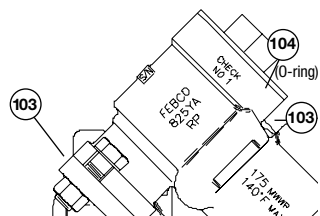
| | Ordering Code | Style | Size | List Price |
|------------|---|-------|-------------|------------|
| | Rubber Kit for Both Checks | | | |
| LEAD FREE* | 905042 | Y, YB | 3/4"-1 1/4" | \$ 18.50 |
| | 905053 | Y, YB | 1 1/2" & 2" | 29.75 |
| | 905042S | YS | 3/4"-1 1/4" | 18.50 |
| | 905053S | YS | 1 1/2" & 2" | 29.75 |
| | Kit Includes: Items 8, 10, 2 ea. | | | |
| | Single Check Repair Kit | | | |
| LEAD FREE* | 905044 | Y, YB | 3/4"-1 1/4" | 51.00 |
| | 905055 | Y, YB | 1 1/2" & 2" | 76.50 |
| | 905044S | YS | 3/4"-1 1/4" | 54.00 |
| | 905055S | YS | 1 1/2" & 2" | 79.25 |
| | Kit Includes: Valve has two checks. Items 8-12, 1 ea. | | | |
| | Double Check Kit w/Springs | | | |
| LEAD FREE* | 905242 | Y, YB | 3/4"-1 1/4" | 117.50 |
| | 905243 | Y, YB | 1 1/2" & 2" | 153.50 |
| | 630115 | Y, YS | 3/4"-1 1/4" | 11.50 |
| | 630118 | Y, YS | 1 1/2" & 2" | 28.50 |
| | 630167 | YB | 3/4"-1 1/4" | 11.50 |
| | | | 1 1/2" & 2" | N/A |
| | Kit Includes: Items 8-13, 2 ea. | | | |

805, 835B Double Check Assembly

Contact FEBCO Representative for information on components for these older designs. To replace the entire assembly (recommended), use FEBCO Model 850/LF850 Double Check.

*The wetted surface of this product contacted by consumable water contains less than 0.25% of lead by weight.
Supersedes all other price lists / Prices subject to change / Weights are estimated
†Grooved ends available on all OS&Y gate valves in some models and sizes. Expect larger lead times.

825-Y, -YS, -YA, -YR, -YAR & YAS LF825Y and LF825YA 3/4" - 2" Reduced Pressure Zone Assembly



| Ordering Code | Style | Size | List Price |
|---------------|-------|------|------------|
|---------------|-------|------|------------|

Check Rubber Kit

| | | | |
|------------------|------------|-------------|----------|
| LEAD FREE 905042 | Y, YA, YAR | 3/4"-1 1/4" | \$ 18.50 |
| 905053 | Y, YA, YAR | 1 1/2" & 2" | 29.75 |
| 905042S | YS, YAS | 3/4"-1 1/4" | 18.50 |
| 905053S | YS, YAS | 1 1/2" & 2" | 29.75 |

Kit Includes: Items 8, 10, 2 ea.

Relief Valve Rubber Kit

| | | | |
|------------------|------------|-------------|-------|
| LEAD FREE 905043 | Y, YA, YAR | 3/4"-1 1/4" | 32.50 |
| 905054 | Y, YA, YAR | 1 1/2" & 2" | 56.75 |
| 905043S | YS, YAS | 3/4"-1 1/4" | 32.50 |
| 905054S | YS, YAS | 1 1/2" & 2" | 56.75 |

Complete Rubber Kit

| | | | |
|------------------|------------|-------------|-------|
| LEAD FREE 905111 | Y, YA, YAR | 3/4"-1 1/4" | 41.00 |
| 905112 | Y, YA, YAR | 1 1/2" & 2" | 83.50 |

Kit Includes: Both checks & relief valve. Items 3, 4, 5, 8, 10, 17, 22, 24, 25, 102, 104

Single Check Kit

| | | | |
|------------------|------------|-------------|-------|
| LEAD FREE 905044 | Y, YA, YAR | 3/4"-1 1/4" | 51.00 |
| 905055 | Y, YA, YAR | 1 1/2" & 2" | 76.50 |
| 905044S | YS, YAS | 3/4"-1 1/4" | 54.00 |
| 905055S | YS, YAS | 1 1/2" & 2" | 79.25 |

Each valve has two checks. (Items 8-12, 1 ea.)

Relief Valve Kit

| | | | |
|------------------|-----|-------------|--------|
| LEAD FREE 905045 | ALL | 3/4"-1 1/4" | 160.00 |
| 905056 | ALL | 1 1/2" & 2" | 243.50 |

Kit Includes: Items 17-27

Check Valve Cover Kit

| | | | |
|------------------|-----|-------------|-------|
| LEAD FREE 905616 | ALL | 3/4"-1" | 34.12 |
| 905617 | ALL | 1 1/2" & 2" | 76.45 |

Relief Valve Cover Kit

| | | | |
|------------------|-----|-------------|--------|
| LEAD FREE 905621 | ALL | 3/4"-1" | 98.49 |
| 905622 | ALL | 1 1/2" & 2" | 110.53 |

| Ordering Code | Style | Size | List Price |
|---------------|-------|------|------------|
|---------------|-------|------|------------|

Relief Valve Seat Ring Kit

| | | | |
|--------|--------|-------------|----------|
| 905113 | Y, YA | 3/4"-1 1/4" | \$ 32.50 |
| 905114 | YS, YA | 1 1/2" & 2" | 45.25 |

Kit Includes: Items 101, 102. (N/A for 1 1/2" size)

Relief Valve Seat Ring Kit

| | | | |
|------------------|--------|-------------|-------|
| LEAD FREE 905417 | Y, YA | 3/4"-1" | 43.75 |
| 905418 | YS, YA | 1 1/2" & 2" | 60.75 |

Kit Includes: Items 101, 102. (N/A for 1 1/4" size)

Check Valve Seat Ring

| | | | |
|--------|---------|-------------|-------|
| 905280 | YR, YAR | 3/4"-1 1/4" | 25.50 |
| 905281 | Y, YA† | 1 1/2" & 2" | 29.75 |

Kit Includes: Items Seat Ring & O-ring

Check Valve Seat Ring

| | | | |
|------------------|---------|-------------|-------|
| LEAD FREE 905419 | YR, YAR | 3/4"-1 1/4" | 42.25 |
| 905420 | Y, YA† | 1 1/2" & 2" | 58.50 |

Kit Includes: Items Seat Ring & O-ring

#1 Check Springs (inlet)

| | | | |
|------------------|-----|-------------|-------|
| LEAD FREE 630125 | ALL | 3/4"-1 1/4" | 22.75 |
| 630137 | ALL | 1 1/2" & 2" | 41.00 |

#2 Check Springs (outlet)

| | | | |
|------------------|-----|-------------|-------|
| LEAD FREE 630115 | ALL | 3/4"-1 1/4" | 11.50 |
| 630118 | ALL | 1 1/2" & 2" | 28.50 |

†825Y & YA with "J" prefix serial numbers only (not available for 1 1/4" size)

825YA, YAR, YAS Elbow Parts

| Ordering Code | Part | Size | List Price |
|---------------|------|------|------------|
|---------------|------|------|------------|

YA Elbow Parts

| | | | |
|--------|-----------|--------|----------|
| 101194 | 103 Elbow | 3/4" | \$ 39.75 |
| 101195 | 103 Elbow | 1" | 45.25 |
| 101189 | 103 Elbow | 1 1/2" | 56.75 |
| 101190 | 103 Elbow | 2" | 65.25 |

YA Elbow Parts

| | | | |
|--------------------|------------|-----------|-------|
| LEAD FREE 39822372 | 104 O-ring | 3/4"-1" | 7.25 |
| 39823072 | 104 O-ring | 1 1/2"-2" | 10.00 |

Kit Includes: Items 103, 104

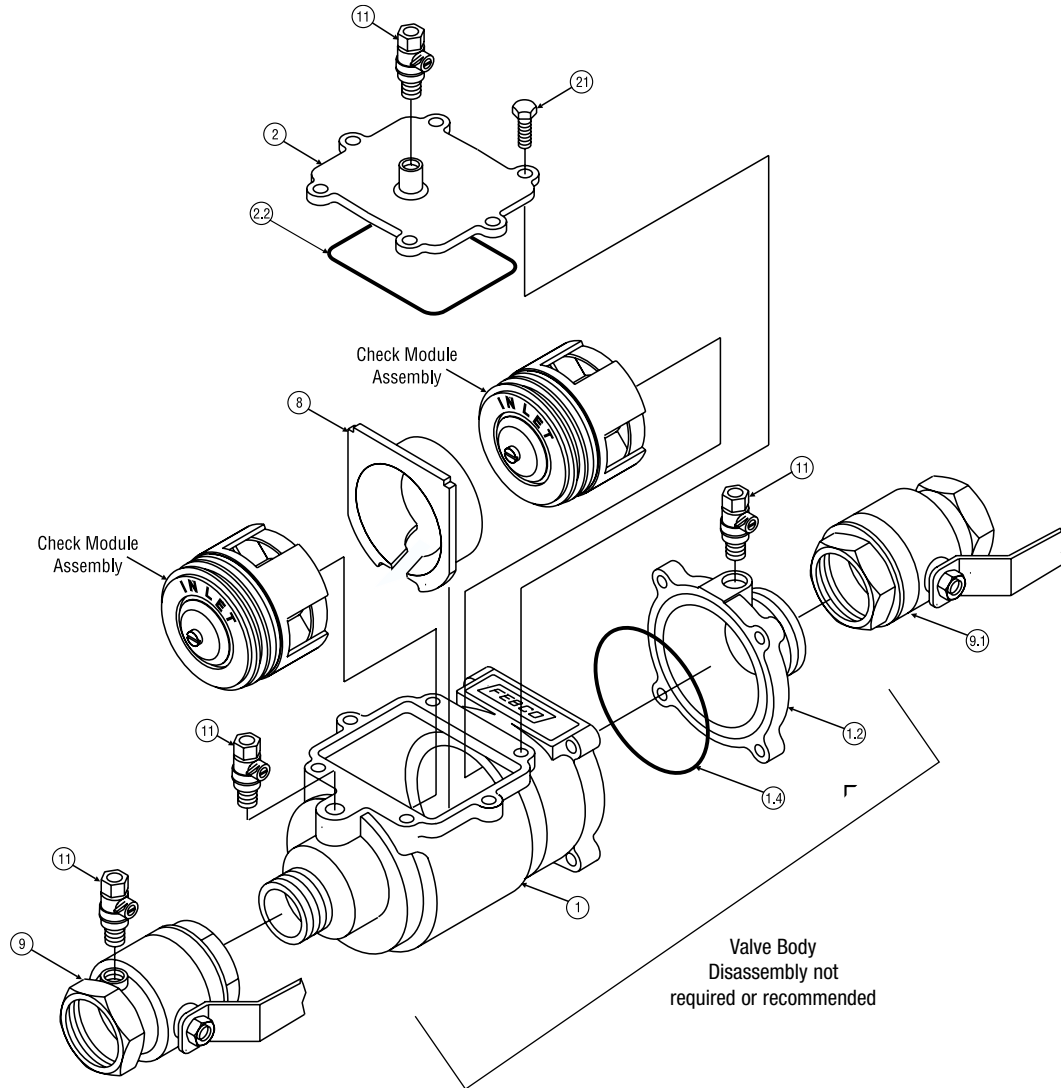
*The wetted surface of this product contacted by consumable water contains less than 0.25% of lead by weight.

Supersedes all other price lists / Prices subject to change / Weights are estimated

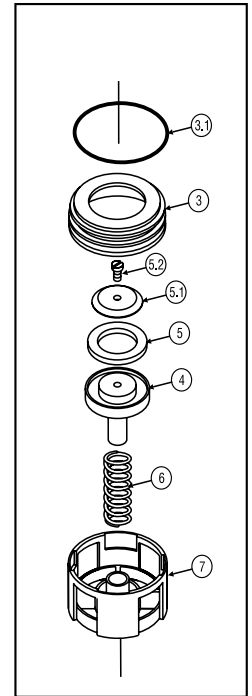
†Grooved ends available on all OS&Y gate valves in some models and sizes. Expect larger lead times.

850, LF850, 850U, LF850U, 850B

1/2" - 2" Double Check Valve Assembly



Models
850/LF850
& 860/LF860
Check Module
Assembly:



| Ordering Code | Style | Size | List Price |
|---------------|-------|------|------------|
|---------------|-------|------|------------|

Check Rubber Kit

| | | | |
|------------------|-----|-------------|----------|
| LEAD FREE 905342 | ALL | 1/2" & 3/4" | \$ 10.00 |
| 905343 | ALL | 1" | 11.50 |
| 905344 | ALL | 1 1/4"-2" | 21.25 |

For both checks. Kit Includes: Items 1.4, 2.2 & 2 ea. of Items 3.1 & 5

Single Check Kit†

| | | | |
|------------------|-----|-------------|-------|
| LEAD FREE 905347 | 850 | 1/2" & 3/4" | 28.50 |
| 905349 | 850 | 1" | 32.50 |
| 905351 | 850 | 1 1/4"-2" | 34.00 |

Valve has two checks. Kit Includes: Items 3 - 7

Single Poppet Kit

| | | | |
|------------------|-----|-------------|-------|
| LEAD FREE 905339 | ALL | 1/2" & 3/4" | 11.50 |
| 905340 | ALL | 1" | 12.75 |
| 905341 | ALL | 1 1/4"-2" | 17.00 |

Valve has two poppets. Kit Includes: Items 4 - 5.2

| Ordering Code | Style | Size | List Price |
|---------------|-------|------|------------|
|---------------|-------|------|------------|

COVER Kit

| | | | |
|------------------|-----|-------------|----------|
| LEAD FREE 905618 | ALL | 1/2" & 3/4" | \$ 23.61 |
| 905619 | ALL | 1" | 28.61 |
| 905620 | ALL | 1 1/4"-2" | 54.65 |

Kit Includes: Items 2 and 2.2

†May use this kit for 850B with exception of spring (item #6). Contact factory service center for price and availability on 850B spring.

*The wetted surface of this product contacted by consumable water contains less than 0.25% of lead by weight.

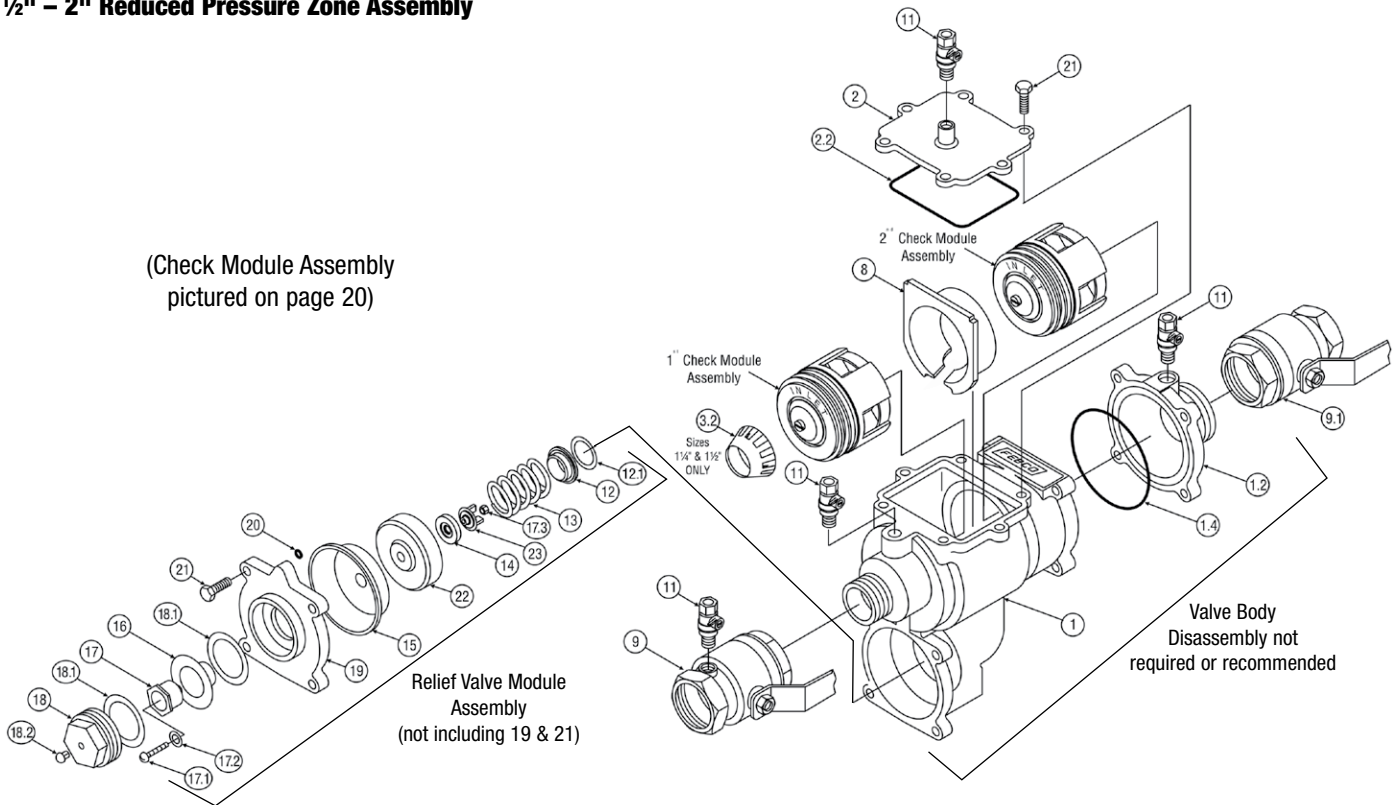
Supersedes all other price lists / Prices subject to change / Weights are estimated

†Grooved ends available on all OS&Y gate valves in some models and sizes. Expect larger lead times.

Detailed maintenance manuals can be downloaded at www.FEBCOonline.com.

860, LF860, 860U, LF860U, 880, 880U 1/2" - 2" Reduced Pressure Zone Assembly

(Check Module Assembly
pictured on page 20)



| Ordering Code | Style | Size | List Price |
|---------------|-------|------|------------|
|---------------|-------|------|------------|

Complete Rubber Kit

| | | | |
|------------------|-----|-------------|----------|
| LEAD FREE 905355 | ALL | 1/2" & 3/4" | \$ 32.50 |
| 905356 | ALL | 1" | 34.00 |
| 905357 | ALL | 1 1/4"-2" | 49.75 |

Kit Includes: All rubber parts

Check Module Rubber Kit

| | | | |
|------------------|-----|-------------|-------|
| LEAD FREE 905342 | ALL | 1/2" & 3/4" | 10.00 |
| 905343 | ALL | 1" | 11.50 |
| 905344 | ALL | 1 1/4"-2" | 21.25 |

Both checks. Kit Includes: Item 2.2 & 2 ea. of items 3.1 & 5

Relief Valve Rubber Kit

| | | | |
|------------------|-----|-------------|-------|
| LEAD FREE 905345 | ALL | 1/2" & 3/4" | 24.25 |
| 905345 | ALL | 1" | 24.25 |
| 905346 | ALL | 1 1/4"-2" | 34.00 |

Kit Includes: Items 12, 12.1, 14 - 16, 18.1 (2 ea) & 20

Single Poppet Kit

| | | | |
|------------------|-----|-------------|-------|
| LEAD FREE 905339 | ALL | 1/2" & 3/4" | 11.50 |
| 905340 | ALL | 1" | 12.75 |
| 905341 | ALL | 1 1/4"-2" | 17.00 |

Valve has two poppets. Kit Includes: Items 4 thru 5.2

| Ordering Code | Style | Size | List Price |
|---------------|-------|------|------------|
|---------------|-------|------|------------|

#1 Check Module Kit (inlet)

| | | | |
|------------------|-----|-------------|----------|
| LEAD FREE 905348 | ALL | 1/2" & 3/4" | \$ 29.75 |
| 905350 | ALL | 1" | 34.00 |
| 905352 | ALL | 1 1/4"-2" | 34.00 |

Kit Includes: Items 3 - 7 for inlet check

#2 Check Module Kit (outlet)

| | | | |
|------------------|-----|-------------|-------|
| LEAD FREE 905347 | ALL | 1/2" & 3/4" | 28.50 |
| 905349 | ALL | 1" | 32.50 |
| 905351 | ALL | 1 1/4"-2" | 34.00 |

Kit Includes: Items 3 - 7 for outlet check

Full Relief Valve Module Kit

| | | | |
|------------------|-----|-------------|--------|
| LEAD FREE 905421 | ALL | 1/2" & 3/4" | 343.00 |
| 905421 | ALL | 1" | 343.00 |
| 905422 | ALL | 1 1/4"-2" | 434.50 |

Kit Includes: 1 ea of Items 12 - 17.3, 20, 22 & 23 & 2 ea. of 18.1

Cover Kit

| | | | |
|------------------|-----|-------------|-------|
| LEAD FREE 905618 | ALL | 1/2" & 3/4" | 23.61 |
| 905619 | ALL | 1" | 28.61 |
| 905620 | ALL | 1 1/4"-2" | 54.65 |

Kit Includes: Items 2 and 2.2

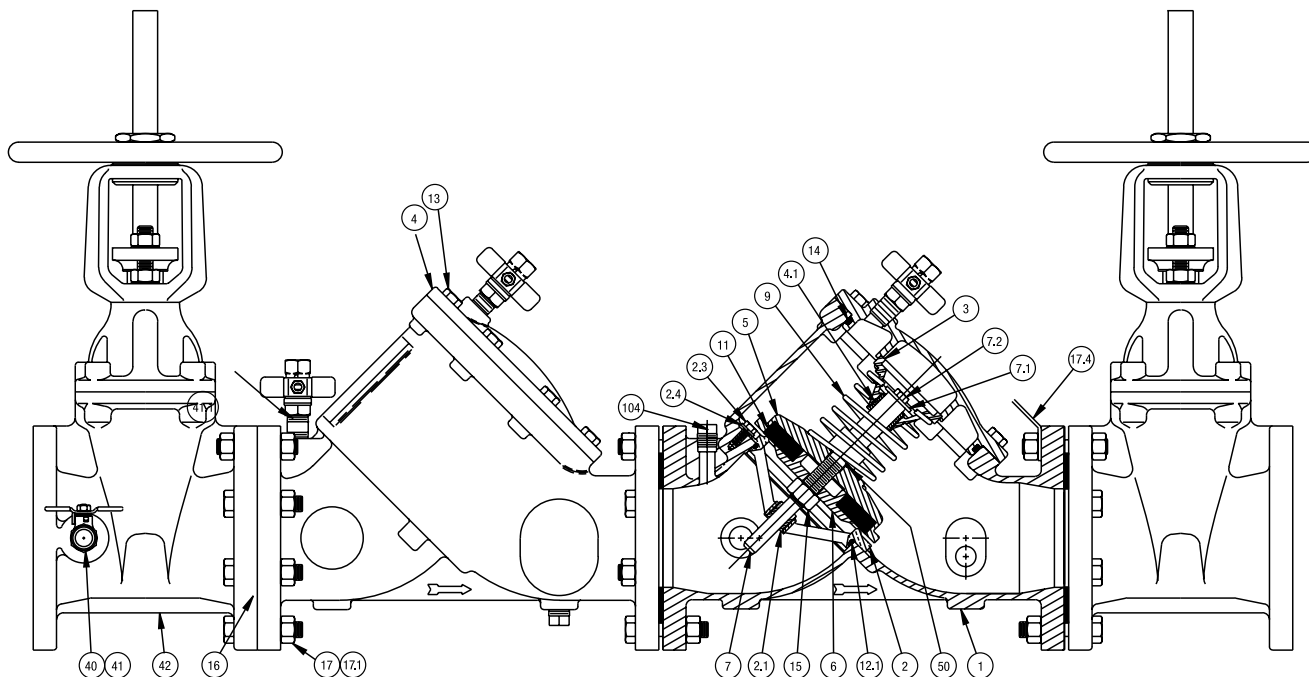
*The wetted surface of this product contacted by consumable water contains less than 0.25% of lead by weight.

Supersedes all other price lists / Prices subject to change / Weights are estimated

¹Grooved ends available on all OS&Y gate valves in some models and sizes. Expect larger lead times.

805, 805D, 805YD, 806YD

2 1/2" - 10" Double Check / Double Check Detector Assemblies



| Ordering Code | Style | Size | List Price |
|---------------|-------|------|------------|
|---------------|-------|------|------------|

Rubber Parts

| | | | |
|--------|----------------------------|--------|----------|
| 905059 | 805, 805D, 805YD, 806YD | 2 1/2" | \$ 38.25 |
| 905060 | 805, 805D, 805YD, 806YD | 3" | 56.75 |
| 905061 | 805, 805D, 805YD, 806YD | 4" | 86.25 |
| 905062 | 805, 805D, 805YD, 806YD | 6" | 123.00 |
| 905063 | 805, 805D, 805YD, 806YD | 8" | 168.50 |
| 905064 | 805, 805D, 805YD, 806YD | 10" | 198.00 |

Kit Includes: Items 11, 14, 50

Single Check Assembly

| | | | |
|--------|-------|--------|----------|
| 905086 | 805YD | 2 1/2" | 561.50 |
| 905088 | 805YD | 3" | 596.50 |
| 902467 | 805YD | 4" | 800.00 |
| 902469 | 805YD | 6" | 1,280.00 |
| 902471 | 805YD | 8" | 2,173.00 |
| 902473 | 805YD | 10" | 3,544.00 |
| — | 806YD | 2 1/2" | N/A |
| 902514 | 806YD | 4" | 875.00 |
| 902515 | 806YD | 6" | 1,394.00 |
| 902516 | 806YD | 8" | 2,368.00 |
| 902517 | 806YD | 10" | 3,899.00 |

Kit Includes: Items 3, 4.1, 5, 6, 7, 7.1, 7.2, 9, 11, 15, 50

| Ordering Code | Style | Size | List Price |
|---------------|-------|------|------------|
|---------------|-------|------|------------|

Seat Kit

| | | | |
|----------|--------------|--------|-----------|
| 902386YD | 805YD, 806YD | 2 1/2" | \$ 273.00 |
| 902385YD | 805YD, 806YD | 3" | 304.00 |
| 902384YD | 805YD, 806YD | 4" | 450.00 |
| 902383YD | 805YD, 806YD | 6" | 602.50 |
| 902382YD | 805YD, 806YD | 8" | 967.00 |
| 902381YD | 805YD, 806YD | 10" | 1,203.00 |

Kit Includes: Items 2, 2.1 & 12.1

Gate Mounting Kit

| | | | |
|--------|------------------------|--------|--------|
| 905036 | 805, 805D, 805YD, 806Y | 2 1/2" | 103.50 |
| 905037 | 805, 805D, 805YD, 806Y | 3" | 116.50 |
| 905038 | 805, 805D, 805YD, 806Y | 4" | 216.50 |
| 905039 | 805, 805D, 805YD, 806Y | 6" | 246.00 |
| 905040 | 805, 805D, 805YD, 806Y | 8" | 254.50 |
| 905041 | 805, 805D, 805YD, 806Y | 10" | 414.50 |

Kit Includes: Both ends. Items 16, 17, 17.1

Cover Assembly

| | | | |
|--------|--------------|--------|----------|
| 902497 | 805YD, 806YD | 2 1/2" | 300.00 |
| 902498 | 805YD, 806YD | 3" | 332.50 |
| 902499 | 805YD, 806YD | 4" | 391.50 |
| 902500 | 805YD, 806YD | 6" | 505.00 |
| 902501 | 805YD, 806YD | 8" | 1,190.00 |
| 902502 | 805YD, 806YD | 10" | 1,190.00 |

Kit Includes: Items 4, 4.1, 14 & Aircocock (not shown)

Bypass Kit w/o Meter

| | | | |
|--------|-------|--------|--------|
| 905138 | 806YD | 2 1/2" | 873.50 |
| 905138 | 806YD | 3" | 873.50 |
| 905138 | 806YD | 4" | 873.50 |
| 905138 | 806YD | 6" | 873.50 |
| 905138 | 806YD | 8" | 873.50 |
| 905138 | 806YD | 10" | 873.50 |

805, 805D

Double Check Valve Assemblies

Contact FEBCO Representative for information on unlisted components for these older designs.

To replace the entire assembly (recommended) use FEBCO Model LF850 Double Check Assembly with Spool Adapter.

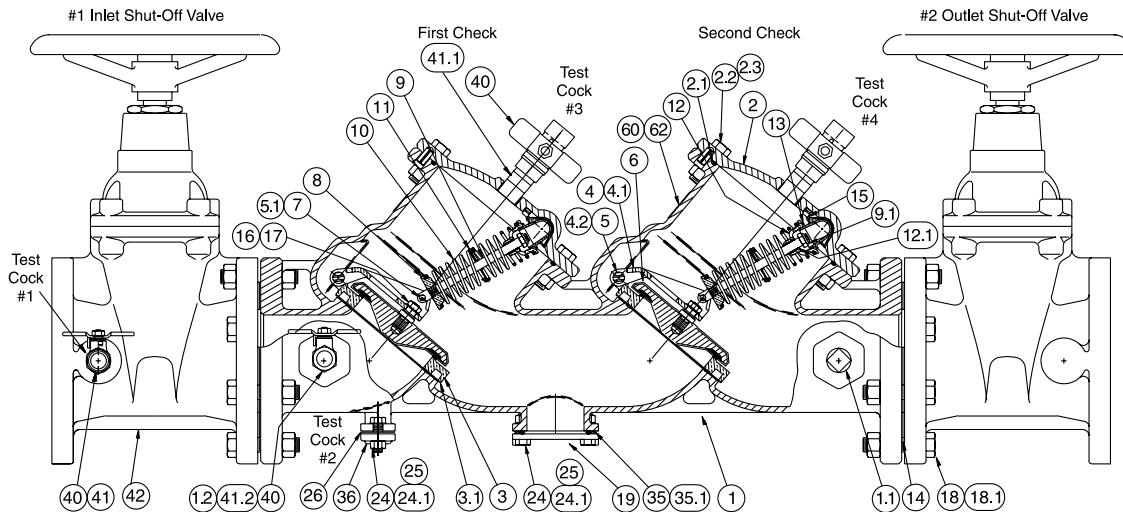
Supersedes all other price lists / Prices subject to change / Weights are estimated

*Grooved ends available on all OS&Y gate valves in some models and sizes. Expect larger lead times.

Detailed maintenance manuals can be downloaded at www.FEBCOonline.com.

850, 856

2 1/2" - 10" Double Check / Double Check Detector Assemblies



| Ordering Code | Style | Size | List Price |
|----------------------|-------|-------------|------------|
| Disc Assembly | | | |
| 905182 | ALL | 2 1/2" & 3" | \$ 114.50 |
| 905153 | ALL | 4" | 114.50 |
| 905154 | ALL | 6" | 143.00 |
| 905155 | ALL | 8" & 10" | 267.50 |

Kit Includes: Items 6, 16, 17

| Ordering Code | Style | Size | List Price |
|----------------------|-------|-------------|------------|
| Spring Module | | | |
| 905142 | 850 | 2 1/2" & 3" | 112.00 |
| 905143 | 850 | 4" | 123.00 |
| 905144 | 850 | 6" | 148.50 |
| 905145 | 850 | 8" & 10" | 168.50 |
| 905147 | 856 | 2 1/2" & 3" | 114.50 |
| 905148 | 856 | 4" | 127.50 |
| 905149 | 856 | 6" | 157.00 |
| 905150 | 856 | 8" & 10" | 172.50 |

Kit Includes: Items 5.1, 7, 8, 9, 9.1, 10, 11, 12, 12.1

| Ordering Code | Style | Size | List Price |
|------------------------------|-------|-------------|------------|
| Check Replacement Kit | | | |
| 905527 | 850 | 2 1/2" & 3" | 529.00 |
| 905534 | 850 | 4" | 596.50 |
| 905537 | 850 | 6" | 780.50 |
| 905539 | 850 | 8" & 10" | 995.50 |
| 905529 | 856 | 2 1/2" & 3" | 531.50 |
| 905536 | 856 | 4" | 601.00 |
| 905538 | 856 | 6" | 790.50 |
| 905541 | 856 | 8" & 10" | 1,080.00 |

Kit Includes: Items 2.1, and 3 - 17

| Ordering Code | Style | Size | List Price |
|---------------------------------|-------|-------------|------------|
| Seat Ring / Arm Assembly | | | |
| 905157 | ALL | 2 1/2" & 3" | 187.00 |
| 905158 | ALL | 4" | 195.50 |
| 905159 | ALL | 6" | 281.50 |
| 905160 | ALL | 8" & 10" | 308.50 |

Kit Includes: Items 3, 3.1, 3.2, 3.4, 4, 4.1, 4.2, 5

| Ordering Code | Style | Size | List Price |
|-------------------------|-------|-------------|------------|
| Rubber Parts Kit | | | |
| 905249 | ALL | 2 1/2" & 3" | \$ 222.00 |
| 905163 | ALL | 4" | 222.00 |
| 905164 | ALL | 6" | 307.00 |
| 905165 | ALL | 8" & 10" | 667.50 |

Kit Includes: Items 2.1, 3.1, 6, 15, 26, 35, 35.1, 45, 45.1

| Ordering Code | Style | Size | List Price |
|-----------------------|-----------------------|-------------|------------|
| Cover Assembly | | | |
| 905167 | With Bulkhead Fitting | 2 1/2" & 3" | 187.00 |
| 905168 | With Bulkhead Fitting | 4" | 212.00 |
| 905169 | With Bulkhead Fitting | 6" | 246.00 |
| 905170 | With Bulkhead Fitting | 8" & 10" | 281.50 |
| 905376 | Tapped | 2 1/2" & 3" | 187.00 |
| 905377 | Tapped | 4" | 212.00 |
| 905378 | Tapped | 6" | 246.00 |

Kit Includes: Items 2, 2.1, 15

| Ordering Code | Style | Size | List Price |
|------------------------------------|-------|----------------|------------|
| Bulkhead Fitting for Cover† | | | |
| 905275 | 850 | 2 1/2", 3", 4" | 24.25 |
| 905277 | 850 | 6", 8" & 10" | 32.50 |
| 905277 | 856 | 2 1/2"-10" | 32.50 |

Kit Includes: Items 43.1, 45.1, 46.1, 47.1

| Ordering Code | Style | Size | List Price |
|-----------------------------------|-------|----------------|------------|
| Bulkhead Fitting for Body† | | | |
| 905276 | 850 | 2 1/2", 3", 4" | 29.75 |
| 905277 | 850 | 6", 8" & 10" | 32.50 |
| 905277 | 856 | 2 1/2"-10" | 32.50 |

Kit Includes: Items 43, 45, 46, 47

†Bulkhead fittings are not furnished on late models. Very early productions of Model 856 may require a different bulkhead fitting. Consult your FEBCO representative for assistance.

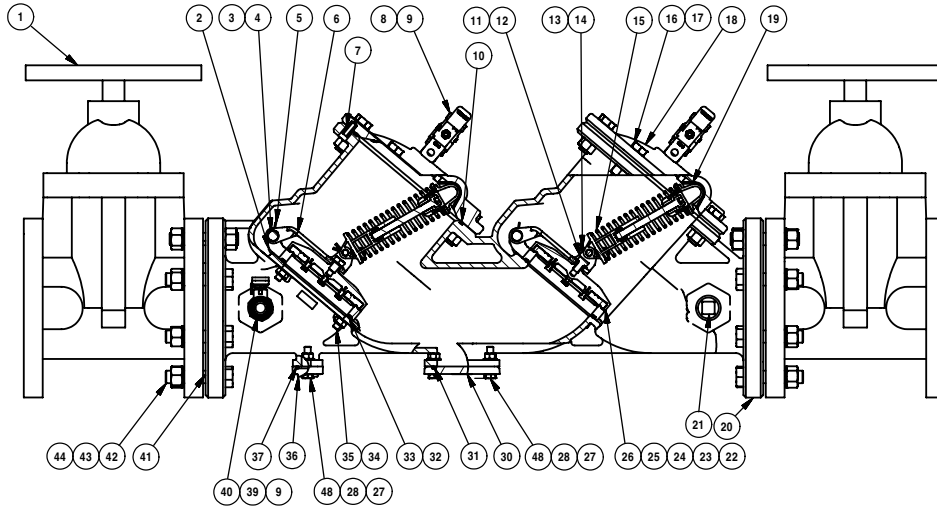
Supersedes all other price lists / Prices subject to change / Weights are estimated

†Grooved ends available on all OS&Y gate valves in some models and sizes. Expect larger lead times.

Detailed maintenance manuals can be downloaded at www.FEBCOonline.com.

LF850, 856ST, LF856

2 1/2" - 10" Double Check / Double Check Detector Assemblies



| Ordering Code | Style | Size | List Price |
|---------------|-------|------|------------|
|---------------|-------|------|------------|

Disc Assembly

| | | | |
|--------|-----|-------------|-----------|
| 905466 | ALL | 2 1/2" & 3" | \$ 121.50 |
| 905467 | ALL | 4" | 127.50 |
| 905468 | ALL | 6" | 168.00 |
| 905469 | ALL | 8" & 10" | 312.50 |

Kit Includes: Items 11, 12, 22, 23, 24, 25, 26

Total Rubber Kit

| | | | |
|--------|-----|-------------|--------|
| 905490 | ALL | 2 1/2" & 3" | 69.50 |
| 905491 | ALL | 4" | 75.50 |
| 905492 | ALL | 6" | 87.00 |
| 905493 | ALL | 8" & 10" | 145.00 |

Kit Includes: Items 10, 25, 31, 32, 33, 37

Spring Module

| | | | |
|--------|------------------------------------|-------------|--------|
| 905470 | 850 (1st & 2nd) 856ST, LF856 (1st) | 2 1/2" & 3" | 52.25 |
| 905471 | 850 (1st & 2nd) 856ST, LF856 (1st) | 4" | 67.25 |
| 905472 | 850 (1st & 2nd) 856ST, LF856 (1st) | 6" | 109.00 |
| 905473 | 850 (1st & 2nd) 856ST, LF856 (1st) | 8" & 10" | 121.50 |
| 905474 | 856ST (2nd) | 2 1/2" & 3" | 76.50 |
| 905475 | 856ST (2nd) | 4" | 88.00 |
| 905476 | 856ST (2nd) | 6" | 132.00 |
| 905477 | 856ST (2nd) | 8" & 10" | 128.50 |
| 905608 | LF856 (2nd) | 2 1/2" & 3" | 74.50 |
| 905609 | LF856 (2nd) | 4" | 85.75 |
| 905610 | LF856 (2nd) | 6" | 128.75 |
| 905611 | LF856 (2nd) | 8" & 10" | 125.25 |

Kit Includes: Items 15

Seat Ring / Arm Assembly

| | | | |
|--------|-----|-------------|--------|
| 905486 | ALL | 2 1/2" & 3" | 220.00 |
| 905487 | ALL | 4" | 228.50 |
| 905488 | ALL | 6" | 325.50 |
| 905489 | ALL | 8" & 10" | 324.00 |

Kit Includes: Items 2, 3, 4, 5, 6, 32, 33, 34, 35

| Ordering Code | Style | Size | List Price |
|---------------|-------|------|------------|
|---------------|-------|------|------------|

Check Replacement Kit

| | | | |
|--------|------------------------------------|-------------|-----------|
| 905478 | 850 (1st & 2nd) 856ST, LF856 (1st) | 2 1/2" & 3" | \$ 440.00 |
| 905479 | 850 (1st & 2nd) 856ST, LF856 (1st) | 4" | 554.50 |
| 905480 | 850 (1st & 2nd) 856ST, LF856 (1st) | 6" | 806.50 |
| 905481 | 850 (1st & 2nd) 856ST, LF856 (1st) | 8" & 10" | 1,177.00 |
| 905482 | 856ST (2nd) | 2 1/2" & 3" | 481.50 |
| 905483 | 856ST (2nd) | 4" | 581.00 |
| 905484 | 856ST (2nd) | 6" | 845.00 |
| 905485 | 856ST (2nd) | 8" & 10" | 1,265.00 |
| 905612 | LF856 (2nd) | 2 1/2" & 3" | 469.50 |
| 905613 | LF856 (2nd) | 4" | 566.75 |
| 905614 | LF856 (2nd) | 6" | 824.00 |
| 905615 | LF856 (2nd) | 8" & 10" | 1,234.00 |

Kit Includes: Items 2, 3, 4, 5, 6, 10, 11, 12, 15, 22, 23, 24, 25, 26, 32, 33, 34, 35

Cover Assembly

| | | | |
|--------|-----|-------------|--------|
| 905376 | ALL | 2 1/2" & 3" | 187.00 |
| 905377 | ALL | 4" | 212.00 |
| 905378 | ALL | 6" | 246.00 |
| 905379 | ALL | 8" & 10" | 281.50 |

Kit Includes: Items 7, 10, 18, 19

*The wetted surface of this product contacted by consumable water contains less than 0.25% of lead by weight.

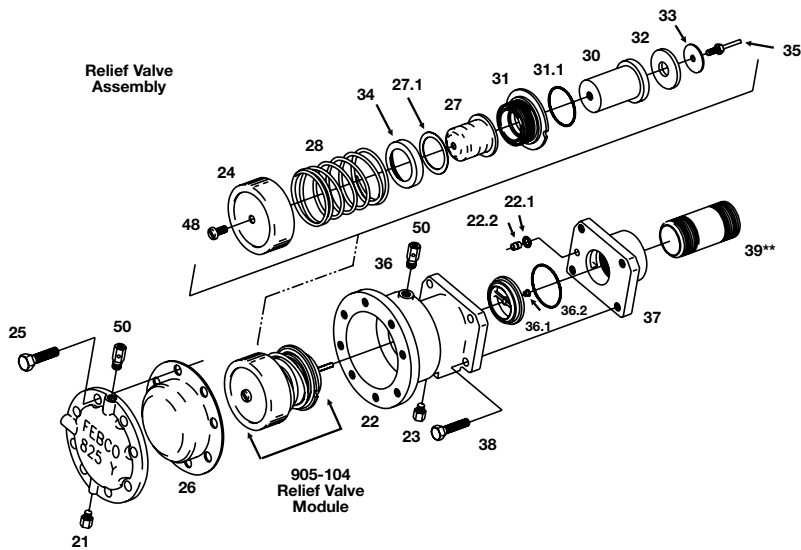
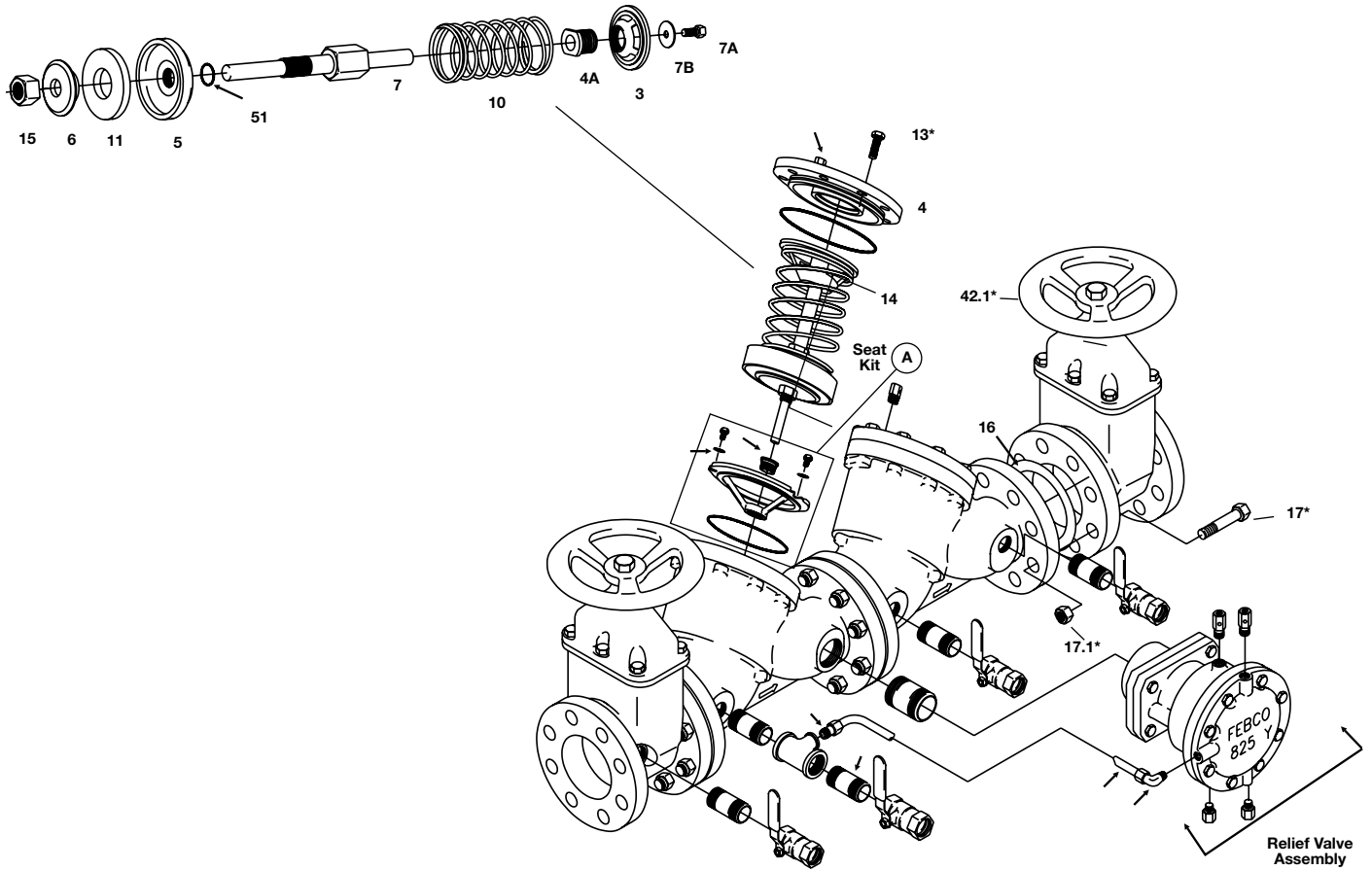
Supersedes all other price lists / Prices subject to change / Weights are estimated

¹Grooved ends available on all OS&Y gate valves in some models and sizes. Expect larger lead times.

Detailed maintenance manuals can be downloaded at www.FEBCOonline.com.

825, 825D, 825YD, 826YD

2½" - 10" Reduced Pressure / Reduced Pressure Detector Assemblies



825, 825D, 825YD, 826YD

2 1/2" – 10" Reduced Pressure / Reduced Pressure Detector Assemblies

| Ordering Code | Style | Size | List Price |
|---------------------------|-------|--------|------------|
| Check Rubber Parts | | | |
| 905059 | ALL | 2 1/2" | \$ 38.25 |
| 905060 | ALL | 3" | 56.75 |
| 905061 | ALL | 4" | 86.25 |
| 905062 | ALL | 6" | 123.00 |
| 905063 | ALL | 8" | 168.50 |
| 905064 | ALL | 10" | 198.00 |

Kit Includes: Items 11, 14, 51

| Ordering Code | Style | Size | List Price |
|--|-------|--------|------------|
| Check #1 (inlet) Check Assembly | | | |
| 905085 | 825YD | 2 1/2" | 611.00 |
| 905087 | 825YD | 3" | 686.00 |
| 902466 | 825YD | 4" | 954.50 |
| 902468 | 825YD | 6" | 1,711.00 |
| 902470 | 825YD | 8" | 2,144.00 |
| 902472 | 825YD | 10" | 4,294.00 |
| — | 826YD | 2 1/2" | N/A |
| — | 826YD | 3" | N/A |
| 902623 | 826YD | 4" | 1,031.00 |
| 902624 | 826YD | 6" | 1,889.00 |
| 902625 | 826YD | 8" | 2,390.00 |
| 902626 | 826YD | 10" | 4,580.00 |

Kit Includes: Items 3,4A,5,6,7,7A,7B,10,11,15,51

| Ordering Code | Style | Size | List Price |
|---|-------|--------|------------|
| Check #2 (outlet) Check Assembly | | | |
| 905086 | 825YD | 2 1/2" | 561.50 |
| 905088 | 825YD | 3" | 596.50 |
| 902467 | 825YD | 4" | 800.00 |
| 902469 | 825YD | 6" | 1,280.00 |
| 902471 | 825YD | 8" | 2,173.00 |
| 902473 | 825YD | 10" | 3,544.00 |
| — | 826YD | 2 1/2" | N/A |
| — | 826YD | 3" | N/A |
| 902514 | 826YD | 4" | 875.00 |
| 902515 | 826YD | 6" | 1,394.00 |
| 902516 | 826YD | 8" | 2,368.00 |
| 902517 | 826YD | 10" | 3,899.00 |

Kit Includes: Items 3,4A,5,6,7,7A,7B,10,11,15,51

| Ordering Code | Style | Size | List Price |
|-----------------|--------------|--------|------------|
| Seat Kit | | | |
| 902386YD | 825YD, 826YD | 2 1/2" | 273.00 |
| 902385YD | 825YD, 826YD | 3" | 304.00 |
| 902384YD | 825YD, 826YD | 4" | 450.00 |
| 902383YD | 825YD, 826YD | 6" | 602.50 |
| 902382YD | 825YD, 826YD | 8" | 967.00 |
| 902381YD | 825YD, 826YD | 10" | 1,203.00 |

Kit Includes: Items A

| Ordering Code | Style | Size | List Price |
|--------------------------------------|-------|--------|------------|
| Gate Mounting Kit (both ends) | | | |
| 905036 | ALL | 2 1/2" | \$ 103.50 |
| 905037 | ALL | 3" | 116.50 |
| 905038 | ALL | 4" | 216.50 |
| 905039 | ALL | 6" | 246.00 |
| 905040 | ALL | 8" | 254.50 |
| 905041 | ALL | 10" | 414.50 |

Kit Includes: Items 16, 17, 17.1

| Ordering Code | Style | Size | List Price |
|------------------------------------|-------|-----------|------------|
| Relief Valve Conversion Kit | | | |
| 905100 | 825 | 3" | 1,493.00 |
| 905101 | 825 | 4", 6" | 1,537.00 |
| 905522 | 825 | 8", 10" | 1,650.00 |
| 905100 | 825D | 2 1/2"-4" | 1,493.00 |
| 905101 | 825D | 6" | 1,537.00 |
| 905522 | 825D | 8", 10" | 1,650.00 |

Kit Includes: Convert 825, 825D. Relief Valve to 825YD design

| Ordering Code | Style | Size | List Price |
|------------------------------|--------------|-----------|------------|
| Relief Valve Assembly | | | |
| 905100 | 825YD, 826YD | 2 1/2"-4" | 1,493.00 |
| 905101 | 825YD, 826YD | 6"-10" | 1,537.00 |

Kit Includes: Items 21 thru 50

| Ordering Code | Style | Size | List Price |
|--------------------------------|--------------|------------|------------|
| Relief Valve Rubber Kit | | | |
| 905102 | 825YD, 826YD | 2 1/2"-10" | 168.50 |

Kit Includes: Items 26, 27, 27A, 31A, 32

| Ordering Code | Style | Size | List Price |
|-----------------------------------|--------------|------------|------------|
| Relief Valve Seat Ring Kit | | | |
| 905103 | 825YD, 826YD | 2 1/2"-10" | 219.50 |

Kit Includes: Items 22A, 22B, 36, 36A, 36B

| Ordering Code | Style | Size | List Price |
|--------------------------------|--------------|------------|------------|
| Relief Valve Module Kit | | | |
| 905104 | 825YD, 826YD | 2 1/2"-10" | 957.00 |

Kit Includes: Items 905-104

| Ordering Code | Style | Size | List Price |
|-----------------------|--------------|--------|------------|
| Cover Assembly | | | |
| 902497 | 825YD, 826YD | 2 1/2" | 300.00 |
| 902498 | 825YD, 826YD | 3" | 332.50 |
| 902499 | 825YD, 826YD | 4" | 391.50 |
| 902500 | 825YD, 826YD | 6" | 505.00 |
| 902501 | 825YD, 826YD | 8" | 1,190.00 |
| 902502 | 825YD, 826YD | 10" | 1,190.00 |

Kit Includes: Items 4, 4.1, 14 & Aircock (not shown)

825, 825D

Reduced Pressure Zone Assembly

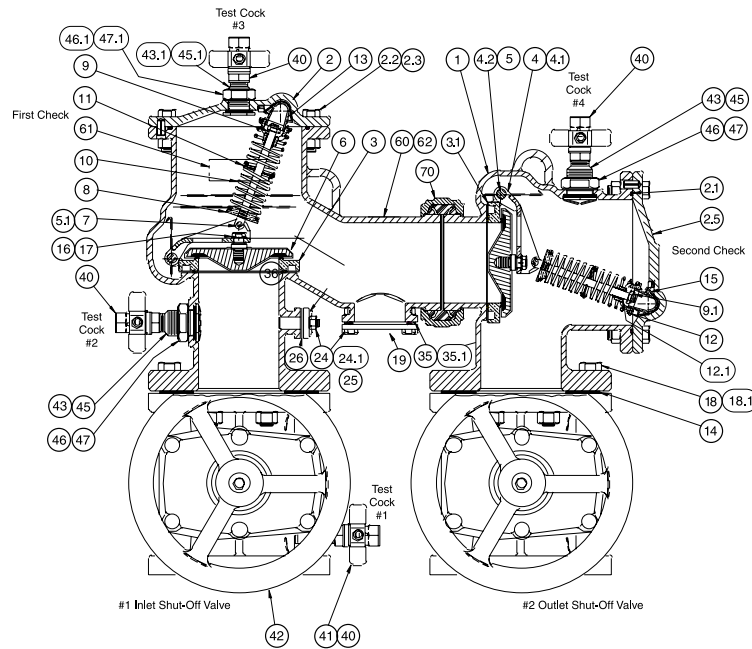
Contact FEBCO Representative for information on unlisted components for these older designs. To replace the entire assembly (recommended) use FEBCO Model LF860 Reduced Pressure Assembly and Spool Kit.

Supersedes all other price lists / Prices subject to change / Weights are estimated

¹Grooved ends available on all OS&Y gate valves in some models and sizes. Expect larger lead times.

Detailed maintenance manuals can be downloaded at www.FEBCOonline.com.

870, 870V / 876, 876V 2½" – 10" Double Check / Double Check Detector Assemblies



| Ordering Code | Style | Size | List Price |
|----------------------|-------|-------------|------------|
| Disc Assembly | | | |
| 905152 | ALL | 2 1/2" & 3" | \$ 114.50 |
| 905153 | ALL | 4" | 114.50 |
| 905154 | ALL | 6" | 143.00 |
| 905155 | ALL | 8" | 267.50 |
| 400145 | ALL | 10" | 276.00 |

Kit Includes: Items 6, 16, 17 (10", Item 6 only)

| Ordering Code | Style | Size | List Price |
|----------------------|-----------|-------------|------------|
| Spring Module | | | |
| 905142 | 870, 870V | 2 1/2" & 3" | 112.00 |
| 905143 | 870, 870V | 4" | 123.00 |
| 905144 | 870, 870V | 6" | 148.50 |
| 905145 | 870, 870V | 8" | 168.50 |
| 905146 | 870, 870V | 10" | 500.50 |
| 905147 | 876, 876V | 2 1/2" & 3" | 114.50 |
| 905148 | 876, 876V | 4" | 127.50 |
| 905149 | 876, 876V | 6" | 157.00 |
| 905150 | 876, 876V | 8" | 172.50 |
| 905151 | 876, 876V | 10" | 500.50 |

Kit Includes: Items 5.1, 7, 8, 9, 9.1, 10, 11, 12, 12.1

| Ordering Code | Style | Size | List Price |
|------------------------------|-----------|-------------|------------|
| Check Replacement Kit | | | |
| 905528 | 870, 870V | 2 1/2" & 3" | 616.50 |
| 905534 | 870, 870V | 4" | 596.50 |
| 905537 | 870, 870V | 6" | 780.50 |
| 905539 | 870, 870V | 8" | 995.50 |
| 905540 | 870, 870V | 10" | 1,682.00 |
| 905530 | 876, 876V | 2 1/2" & 3" | 623.50 |
| 905536 | 876, 876V | 4" | 601.00 |
| 905538 | 876, 876V | 6" | 790.50 |
| 905541 | 876, 876V | 8" | 1,080.00 |
| — | 876, 876V | 10" | N/A |

Kit Includes: Items 2.1, and 3 - 17

| Ordering Code | Style | Size | List Price |
|---------------------------------|-------|-------------|------------|
| Seat Ring / Arm Assembly | | | |
| 905157 | ALL | 2 1/2" & 3" | 187.00 |
| 905158 | ALL | 4" | 195.50 |
| 905159 | ALL | 6" | 281.50 |
| 905160 | ALL | 8" | 308.50 |
| 905161 | ALL | 10" | 329.50 |

Kit Includes: Items 3, 3.1, 3.2, 3.4, 4, 4.1, 4.2, 5

| Ordering Code | Style | Size | List Price |
|-------------------------|-------|-------------|------------|
| Rubber Parts Kit | | | |
| 905162 | ALL | 2 1/2" & 3" | \$ 222.00 |
| 905163 | ALL | 4" | 222.00 |
| 905164 | ALL | 6" | 307.00 |
| 905165 | ALL | 8" | 667.50 |
| 905166 | ALL | 10" | 705.50 |

Kit Includes: Items 2.1, 3.1, 6, 15, 26, 35, 35.1, 45, 45.1

| Ordering Code | Style | Size | List Price |
|---|-------|-------------|------------|
| Cover Assembly (Inlet Check)[†] | | | |
| 905167 | ALL | 2 1/2" & 3" | 187.00 |
| 905168 | ALL | 4" | 212.00 |
| 905169 | ALL | 6" | 246.00 |
| 905170 | ALL | 8" | 281.50 |
| 905171 | ALL | 10" | 291.50 |

Kit Includes: Items 2, 2.1, 15

| Ordering Code | Style | Size | List Price |
|--|-------|-------------|------------|
| Cover Assembly (Outlet Check)[†] | | | |
| 905244 | ALL | 2 1/2" & 3" | 187.00 |
| 905245 | ALL | 4" | 212.00 |
| 905246 | ALL | 6" | 246.00 |
| 905247 | ALL | 8", 10" | 281.50 |

Kit Includes: Items 2, 2.1, 15

| Ordering Code | Style | Size | List Price |
|---|-----------|----------------|------------|
| Bulkhead Fitting For Cover[†] | | | |
| 905275 | 870, 870V | 2 1/2", 3", 4" | 24.25 |
| 905277 | 870, 870V | 6", 8", 10" | 32.50 |
| 905275 | 876, 876V | 2 1/2", 3", 4" | 24.25 |
| 905277 | 876, 876V | 6", 8", 10" | 32.50 |

Kit Includes: Items 43.1, 45.1, 46.1, 47.1

| Ordering Code | Style | Size | List Price |
|--|-----------|----------------|------------|
| Bulkhead Fitting For Body[†] | | | |
| 905276 | 870, 870V | 2 1/2", 3", 4" | 29.75 |
| 905277 | 870, 870V | 6", 8", 10" | 32.50 |
| 905275 | 876, 876V | 2 1/2"-10" | 24.25 |

Kit Includes: Items 43, 45, 46, 47

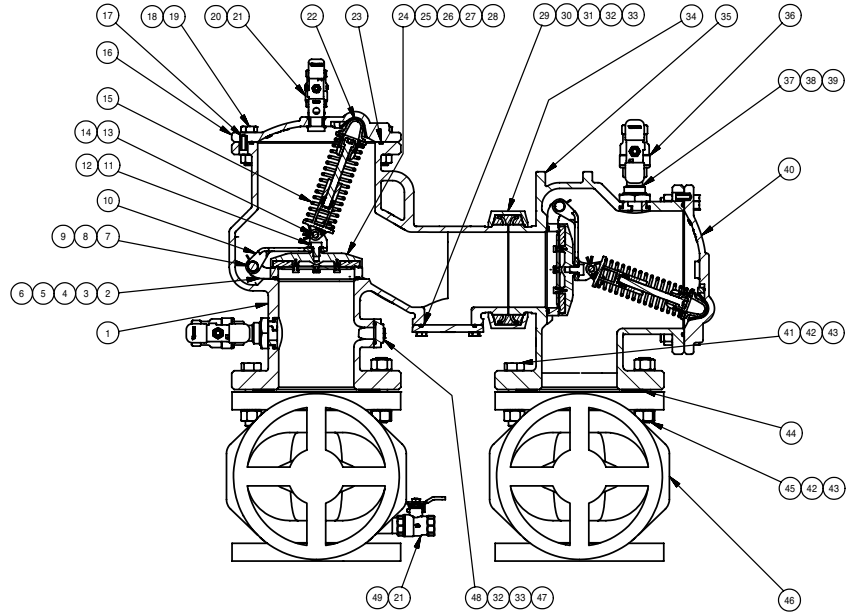
[†] Bulkhead fittings are not furnished on late models. Very early productions may require a different bulkhead fitting. Consult your FEBCO representative for assistance.

Supersedes all other price lists / Prices subject to change / Weights are estimated

[†]Grooved ends available on all OS&Y gate valves in some models and sizes. Expect larger lead times.

Detailed maintenance manuals can be downloaded at www.FEBCOonline.com.

LF870V, 876VST, LF876V 2 1/2" - 10" Double Check / Double Check Detector Assemblies



| Ordering Code | Style | Size | List Price |
|----------------------|-------|-------------|------------|
| Disc Assembly | | | |
| 905466 | ALL | 2 1/2" & 3" | \$ 121.50 |
| 905467 | ALL | 4" | 127.50 |
| 905468 | ALL | 6" | 168.00 |
| 905469 | ALL | 8" | 312.50 |
| 400145 | ALL | 10" | 276.00 |

Kit Includes: Items 11, 12, 23, 24, 25, 26, 27, 28

| Ordering Code | Style | Size | List Price |
|-------------------------|-------|-------------|------------|
| Check Rubber Kit | | | |
| 905490 | ALL | 2 1/2" & 3" | 69.50 |
| 905491 | ALL | 4" | 75.50 |
| 905492 | ALL | 6" | 87.00 |
| 905493 | ALL | 8" | 145.00 |

Kit Includes: Items 3, 4, 23 and 25 Disk, Cover O-Ring, Port cover o-rings

| Ordering Code | Style | Size | List Price |
|----------------------|------------------------------------|-------------|------------|
| Spring Module | | | |
| 905470 | 870 (1st & 2nd) 876ST, LF876 (1st) | 2 1/2" & 3" | 52.25 |
| 905471 | 870 (1st & 2nd) 876ST, LF876 (1st) | 4" | 67.25 |
| 905472 | 870 (1st & 2nd) 876ST, LF876 (1st) | 6" | 109.00 |
| 905473 | 870 (1st & 2nd) 876ST, LF876 (1st) | 8" | 121.50 |
| 905474 | 876ST (2nd) | 2 1/2" & 3" | 76.50 |
| 905475 | 876ST (2nd) | 4" | 88.00 |
| 905476 | 876ST (2nd) | 6" | 132.00 |
| 905477 | 876ST (2nd) | 8" | 128.50 |
| 905608 | LF876 (2nd) | 2 1/2" & 3" | 74.50 |
| 905609 | LF876 (2nd) | 4" | 85.75 |
| 905610 | LF876 (2nd) | 6" | 128.75 |
| 905611 | LF876 (2nd) | 8" | 125.25 |

Kit Includes: Item 15

| Ordering Code | Style | Size | List Price |
|---------------------------------|-------|-------------|------------|
| Seat Ring / Arm Assembly | | | |
| 905486 | ALL | 2 1/2" & 3" | 220.00 |
| 905487 | ALL | 4" | 228.50 |
| 905488 | ALL | 6" | 325.50 |
| 905489 | ALL | 8" | 324.00 |

Kit Includes: Items 2, 3, 4, 5, 6, 7, 8, 9, 10

| Ordering Code | Style | Size | List Price |
|------------------------------|------------------------------------|-------------|------------|
| Check Replacement Kit | | | |
| 905478 | 870 (1st & 2nd) 876ST, LF876 (1st) | 2 1/2" & 3" | \$ 440.00 |
| 905479 | 870 (1st & 2nd) 876ST, LF876 (1st) | 4" | 554.50 |
| 905480 | 870 (1st & 2nd) 876ST, LF876 (1st) | 6" | 806.50 |
| 905481 | 870 (1st & 2nd) 876ST, LF876 (1st) | 8" | 1,177.00 |
| 905482 | 876ST (2nd) | 2 1/2" & 3" | 481.50 |
| 905483 | 876ST (2nd) | 4" | 581.00 |
| 905484 | 876ST (2nd) | 6" | 845.00 |
| 905485 | 876ST (2nd) | 8" | 1,265.00 |
| 905612 | LF876 (2nd) | 2 1/2" & 3" | 469.50 |
| 905613 | LF876 (2nd) | 4" | 566.75 |
| 905614 | LF876 (2nd) | 6" | 824.00 |
| 905615 | LF876 (2nd) | 8" | 1,234.00 |

Kit Includes: Items 2 thru 12, 15, 23 thru 28
Cover O-Rings on all Check Kits

| Ordering Code | Style | Size | List Price |
|--|-------|-------------|------------|
| Cover Assembly (Inlet Check LF870V, 876VST) (Outlet Check LF876V) | | | |
| 905167 | ALL | 2 1/2" & 3" | 187.00 |
| 905168 | ALL | 4" | 212.00 |
| 905169 | ALL | 6" | 246.00 |
| 905170 | ALL | 8" | 281.50 |
| 905171 | ALL | 10" | 291.50 |

Kit Includes: Items 16, 17, 22, 23

| Ordering Code | Style | Size | List Price |
|---|-------|-------------|------------|
| Cover Assembly (Outlet Check LF870V) | | | |
| 905244 | ALL | 2 1/2" & 3" | 187.00 |
| 905245 | ALL | 4" | 212.00 |
| 905246 | ALL | 6" | 246.00 |
| 905247 | ALL | 8" | 281.50 |
| 905248 | ALL | 10" | 284.50 |

Kit Includes: Items 17, 22, 23, 40

| Ordering Code | Style | Size | List Price |
|---|-------|----------------|------------|
| Bulkhead Fitting for Inlet Cover | | | |
| 905275 | ALL | 2 1/2", 3", 4" | 24.25 |
| 905277 | ALL | 6", 8", 10" | 32.50 |

Kit Includes: Items 20

| Ordering Code | Style | Size | List Price |
|----------------------------------|-------|----------------|------------|
| Bulkhead Fitting for Body | | | |
| 905276 | 870V | 2 1/2", 3", 4" | 29.75 |
| 905277 | 870V | 6", 8", 10" | 32.50 |
| 905277 | 876V | 2 1/2"-10" | 32.50 |

Kit Includes: Items 37, 38, 39

*The wetted surface of this product contacted by consumable water contains less than 0.25% of lead by weight.

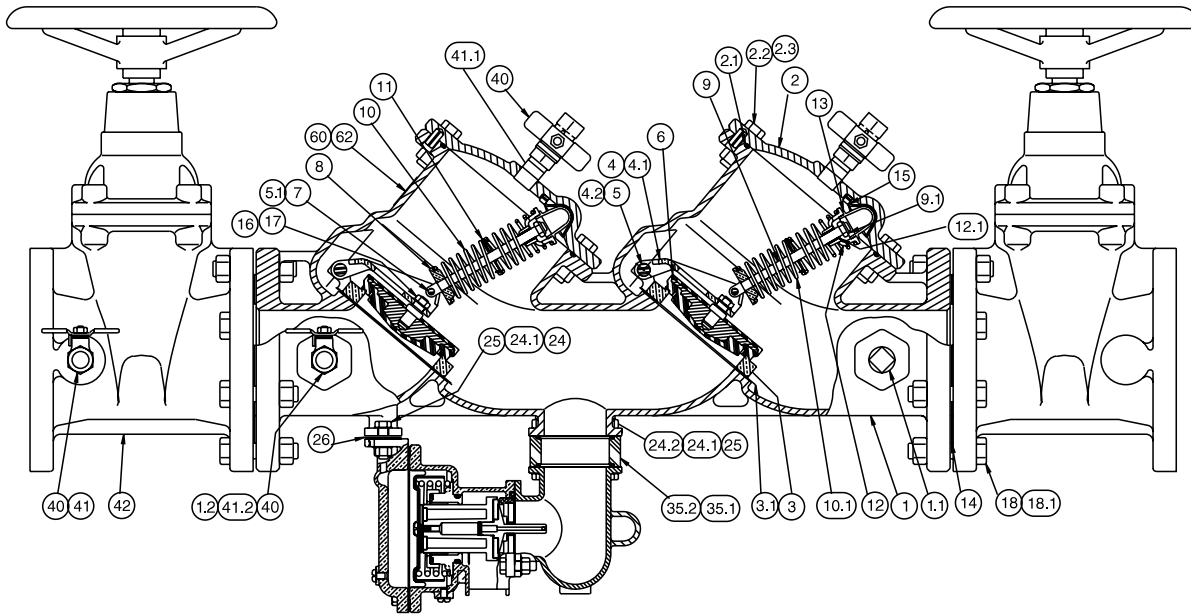
Supersedes all other price lists / Prices subject to change / Weights are estimated

¹Grooved ends available on all OS&Y gate valves in some models and sizes. Expect larger lead times.

Detailed maintenance manuals can be downloaded at www.FEBCOonline.com.

860

2 1/2" - 10" Reduced Pressure Zone Assemblies



| Ordering Code | Style | Size | List Price |
|----------------------|-------|-------------|------------|
| Disc Assembly | | | |
| 905182 | 860 | 2 1/2" & 3" | \$ 114.50 |
| 905183 | 860 | 4" | 114.50 |
| 905184 | 860 | 6" | 143.00 |
| 905185 | 860 | 8", 10" | 267.50 |

Kit Includes: Items 6, 16, 17

| Ordering Code | Style | Size | List Price |
|----------------------|--------|-------------|------------|
| Spring Module | | | |
| 905172 | INLET | 2 1/2" & 3" | 112.00 |
| 905173 | INLET | 4" | 123.00 |
| 905174 | INLET | 6" | 148.50 |
| 905175 | INLET | 8", 10" | 168.50 |
| 905142 | OUTLET | 2 1/2" & 3" | 112.00 |
| 905143 | OUTLET | 4" | 123.00 |
| 905144 | OUTLET | 6" | 148.50 |
| 905145 | OUTLET | 8", 10" | 168.50 |

Kit Includes: Items 2.1, 5.1, 7, 8, 9, 9.1, 10, 11, 12, 12.1

| Ordering Code | Style | Size | List Price |
|------------------------------|--------|-------------|------------|
| Check Replacement Kit | | | |
| 905543 | INLET | 2 1/2" & 3" | 541.50 |
| 905546 | INLET | 4" | 609.50 |
| 905550 | INLET | 6" | 859.50 |
| 905554 | INLET | 8", 10" | 1,239.00 |
| 905527 | OUTLET | 2 1/2" & 3" | 529.00 |
| 905547 | OUTLET | 4" | 585.50 |
| 905551 | OUTLET | 6" | 776.00 |
| 905555 | OUTLET | 8", 10" | 1,072.00 |

Kit Includes: Items 2.1, and 3 - 17

| Ordering Code | Style | Size | List Price |
|---------------------------------|-------|-------------|------------|
| Seat Ring / Arm Assembly | | | |
| 905157 | 860 | 2 1/2" & 3" | 187.00 |
| 905158 | 860 | 4" | 195.50 |
| 905159 | 860 | 6" | 281.50 |
| 905160 | 860 | 8", 10" | 308.50 |

Kit Includes: Items 3, 3.1, 3.2, 3.4, 4, 4.1, 4.2, 5

| Ordering Code | Style | Size | List Price |
|-------------------------|-------|-------------|------------|
| Check Rubber Kit | | | |
| 905409 | 860 | 2 1/2" & 3" | \$ 223.50 |
| 905410 | 860 | 4" | 276.00 |
| 905411 | 860 | 6" | 319.50 |
| 905412 | 860 | 8", 10" | 513.50 |

Kit Includes: Items 2.1, 3.1, 6, 15-17, 26, 35, 35.1, 45, 45.1

| Ordering Code | Style | Size | List Price |
|------------------------|-------|-------------|------------|
| Full Rubber Kit | | | |
| 905187 | 860 | 2 1/2" & 3" | 343.50 |
| 905188 | 860 | 4" | 343.50 |
| 905189 | 860 | 6" | 393.00 |
| 905190 | 860 | 8", 10" | 678.50 |

Kit Includes: (For two Checks and RV)

| Ordering Code | Style | Size | List Price |
|-----------------------|-----------------------|-------------|------------|
| Cover Assembly | | | |
| 905167 | With Bulkhead Fitting | 2 1/2" & 3" | 187.00 |
| 905168 | With Bulkhead Fitting | 4" | 212.00 |
| 905169 | With Bulkhead Fitting | 6" | 246.00 |
| 905170 | With Bulkhead Fitting | 8", 10" | 281.50 |
| 905376 | TAPPED | 2 1/2" & 3" | 187.00 |
| 905377 | TAPPED | 4" | 212.00 |
| 905378 | TAPPED | 6" | 246.00 |

Kit Includes: Items 2, 2.1, 15

For relief valve parts, see page 34.

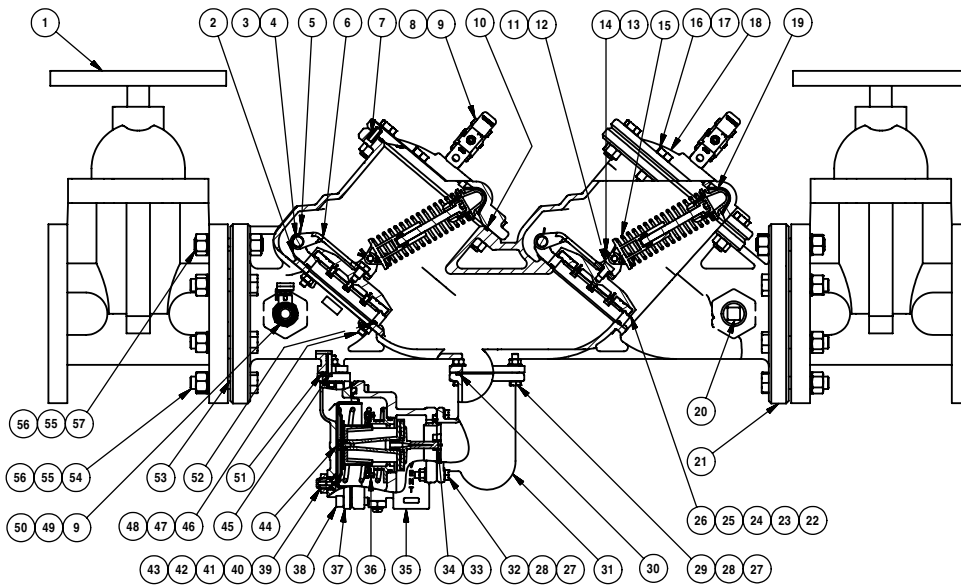
Supersedes all other price lists / Prices subject to change / Weights are estimated

¹Grooved ends available on all OS&Y gate valves in some models and sizes. Expect larger lead times.

Detailed maintenance manuals can be downloaded at www.FEBCOonline.com.

LF860, LF866

2 1/2" - 10" Reduced Pressure Zone Assemblies/Reduced Pressure Zone Detector Assemblies



| Ordering Code | Style | Size | List Price |
|--|----------------|-------------|------------|
| Disc Assembly | | | |
| LEAD FREE 905466 | ALL | 2 1/2" & 3" | \$ 121.50 |
| 905467 | ALL | 4" | 127.50 |
| 905468 | ALL | 6" | 168.00 |
| 905469 | ALL | 8" & 10" | 312.50 |
| Kit Includes: Items 11, 12, 22, 23, 24, 25, 26 | | | |
| Check Rubber Kit | | | |
| LEAD FREE 905490 | ALL | 2 1/2" & 3" | 69.50 |
| 905491 | ALL | 4" | 75.50 |
| 905492 | ALL | 6" | 87.00 |
| 905493 | ALL | 8" & 10" | 145.00 |
| Kit Includes: Items 10, 25, 30, and 51 and Seat Ring O-Rings | | | |
| Spring Module | | | |
| LEAD FREE 905507 | 860, 866 (1st) | 2 1/2" & 3" | 116.00 |
| 905508 | 860, 866 (1st) | 4" | 127.50 |
| 905509 | 860, 866 (1st) | 6" | 156.50 |
| 905510 | 860, 866 (1st) | 8" & 10" | 173.50 |
| LEAD FREE 905470 | 860 (2nd) | 2 1/2" & 3" | 52.25 |
| 905471 | 860 (2nd) | 4" | 67.25 |
| 905472 | 860 (2nd) | 6" | 109.00 |
| 905473 | 860 (2nd) | 8" & 10" | 121.50 |
| LEAD FREE 905608 | 866 (2nd) | 2 1/2" & 3" | 76.50 |
| 905609 | 866 (2nd) | 4" | 88.00 |
| 905610 | 866 (2nd) | 6" | 132.00 |
| 905611 | 866 (2nd) | 8" & 10" | 128.50 |
| Kit Includes: Item 15 | | | |
| Seat Ring / Arm Assembly | | | |
| LEAD FREE 905486 | ALL | 2 1/2" & 3" | 220.00 |
| 905487 | ALL | 4" | 228.50 |
| 905488 | ALL | 6" | 325.50 |
| 905489 | ALL | 8" & 10" | 324.00 |
| Kit Includes: Items 2, 3, 4, 5, 6, 46, 47, 48, 52 | | | |

| Ordering Code | Style | Size | List Price |
|--|----------------|-------------|------------|
| Check Replacement Kit | | | |
| LEAD FREE 905511 | 860, 866 (1st) | 2 1/2" & 3" | \$ 442.50 |
| 905512 | 860, 866 (1st) | 4" | 559.00 |
| 905514 | 860, 866 (1st) | 6" | 926.00 |
| 905515 | 860, 866 (1st) | 8" & 10" | 1,377.00 |
| LEAD FREE 905478 | 860 (2nd) | 2 1/2" & 3" | 440.00 |
| 905479 | 860 (2nd) | 4" | 554.50 |
| 905480 | 860 (2nd) | 6" | 806.50 |
| 905481 | 860 (2nd) | 8" & 10" | 1,177.00 |
| LEAD FREE 905612 | 866 (2nd) | 2 1/2" & 3" | 481.50 |
| 905613 | 866 (2nd) | 4" | 581.00 |
| 905614 | 866 (2nd) | 6" | 845.00 |
| 905615 | 866 (2nd) | 8" & 10" | 1,265.00 |
| Kit Includes: Check Assembly, Seat Ring Arm, Spring Assembly, and Disc Assembly. Cover O-Rings on all Check Kits | | | |
| Full Rubber Kit | | | |
| LEAD FREE 905535 | ALL | 2 1/2" & 3" | 168.00 |
| 905566 | ALL | 4" | 173.50 |
| 905579 | ALL | 6" | 185.50 |
| 905580 | ALL | 8" & 10" | 243.00 |
| Kit Includes: (For Two Checks and RV) | | | |
| Cover Assembly | | | |
| LEAD FREE 905376 | ALL | 2 1/2" & 3" | 187.00 |
| 905377 | ALL | 4" | 212.00 |
| 905378 | ALL | 6" | 246.00 |
| 905379 | ALL | 8" & 10" | 281.50 |
| Kit Includes: Items 7, 10, 18, 19 | | | |

*The wetted surface of this product contacted by consumable water contains less than 0.25% of lead by weight.

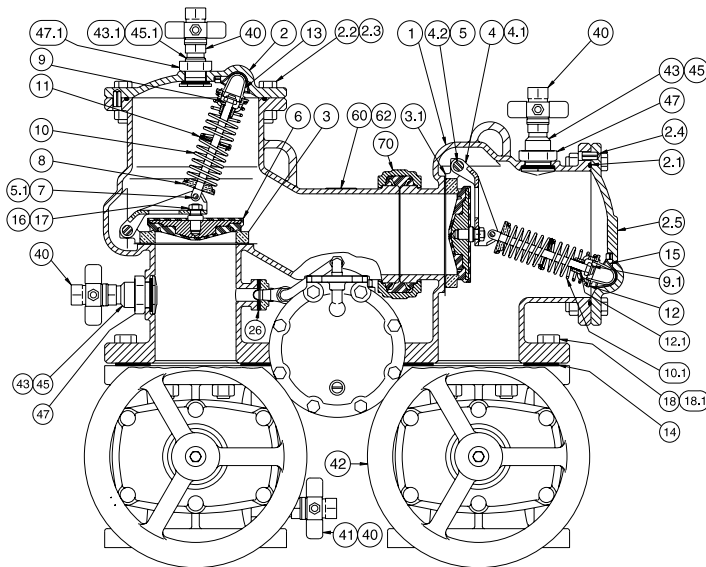
Supersedes all other price lists / Prices subject to change / Weights are estimated

¹Grooved ends available on all OS&Y gate valves in some models and sizes. Expect larger lead times.

Detailed maintenance manuals can be downloaded at www.FEBCOonline.com.

880, 880V

2 1/2" - 10" Reduced Pressure Zone Assemblies



| Ordering Code | Style | Size | List Price |
|--|--------|-------------|------------|
| Disc Assembly | | | |
| 905224 | ALL | 2 1/2" & 3" | \$ 114.50 |
| 905225 | ALL | 4" | 114.50 |
| 905226 | ALL | 6" | 143.00 |
| 905185 | ALL | 8" | 267.50 |
| 400145 | ALL | 10" | 276.00 |
| Kit Includes: Items 6, 16, 17. (10", Item 6 only) | | | |
| Spring Module | | | |
| 905172 | INLET | 2 1/2" & 3" | 112.00 |
| 905173 | INLET | 4" | 123.00 |
| 905174 | INLET | 6" | 148.50 |
| 905175 | INLET | 8" | 168.50 |
| 905176 | INLET | 10" | 500.50 |
| 905142 | OUTLET | 2 1/2" & 3" | 112.00 |
| 905143 | OUTLET | 4" | 123.00 |
| 905144 | OUTLET | 6" | 148.50 |
| 905145 | OUTLET | 8" | 168.50 |
| 905146 | OUTLET | 10" | 500.50 |
| Kit Includes: Items 2.1, 5.1, 7, 8, 9, 9.1, 10, 11, 12, 12.1 | | | |
| Check Replacement Kit | | | |
| 905544 | INLET | 2 1/2" & 3" | 523.00 |
| 905548 | INLET | 4" | 589.50 |
| 905552 | INLET | 6" | 868.00 |
| 905554 | INLET | 8" | 1,239.00 |
| 905556 | INLET | 10" | 1,848.00 |
| 905545 | OUTLET | 2 1/2" & 3" | 512.00 |
| 905549 | OUTLET | 4" | 568.50 |
| 905553 | OUTLET | 6" | 787.50 |
| 905555 | OUTLET | 8" | 1,072.00 |
| 905557 | OUTLET | 10" | 1,685.00 |
| Kit Includes: Items 2.1, and 3 - 17 | | | |

| Ordering Code | Style | Size | List Price |
|--|-----------|----------------|------------|
| Seat Ring / Arm Assembly | | | |
| 905157 | ALL | 2 1/2" & 3" | \$ 187.00 |
| 905158 | ALL | 4" | 195.50 |
| 905159 | ALL | 6" | 281.50 |
| 905160 | ALL | 8" | 308.50 |
| 905161 | ALL | 10" | 329.50 |
| Kit Includes: Items 3, 3.1, 3.2, 3.4, 4, 4.1, 4.2, 5 | | | |
| Check Rubber Kit | | | |
| 905413 | ALL | 2 1/2" & 3" | 198.00 |
| 905414 | ALL | 4" | 250.50 |
| 905415 | ALL | 6" | 322.50 |
| 905412 | ALL | 8" | 513.50 |
| 905416 | ALL | 10" | 384.50 |
| Kit Includes: Items 2.1, 3.1, 6, 15-17, 26, 35, 35.1, 45, 45.1 | | | |
| Full Rubber Kit | | | |
| 905227 | ALL | 2 1/2" & 3" | 343.50 |
| 905228 | ALL | 4" | 343.50 |
| 905229 | ALL | 6" | 393.00 |
| 905190 | ALL | 8" | 678.50 |
| 905191 | ALL | 10" | 735.00 |
| Kit Includes: For 2 Checks and RV | | | |
| Cover Assembly (Inlet Check)[†] | | | |
| 905167 | ALL | 2 1/2" & 3" | 187.00 |
| 905168 | ALL | 4" | 212.00 |
| 905169 | ALL | 6" | 246.00 |
| 905170 | ALL | 8" | 281.50 |
| 905171 | ALL | 10" | 291.50 |
| Kit Includes: Items 2, 2.1, 15 | | | |
| Cover Assembly (Outlet Check)[†] | | | |
| 905244 | ALL | 2 1/2" & 3" | 187.00 |
| 905245 | ALL | 4" | 212.00 |
| 905246 | ALL | 6" | 246.00 |
| 905247 | ALL | 8" | 281.50 |
| 905248 | ALL | 10" | 284.50 |
| Kit Includes: Items 2, 2.1, 15 | | | |
| Bulkhead Fittings[†] | | | |
| 905275 | FOR COVER | 2 1/2", 3", 4" | 24.25 |
| 905277 | FOR COVER | 6", 8", 10" | 32.50 |
| Bulkhead Fittings[†] | | | |
| 905276 | FOR BODY | 2 1/2", 3", 4" | 29.75 |
| 905277 | FOR BODY | 6", 8", 10" | 32.50 |

[†] Bulkhead fittings are not furnished on late models. Very early productions of Model 876 may require a different bulkhead fitting. Consult your FEBCO representative for assistance.

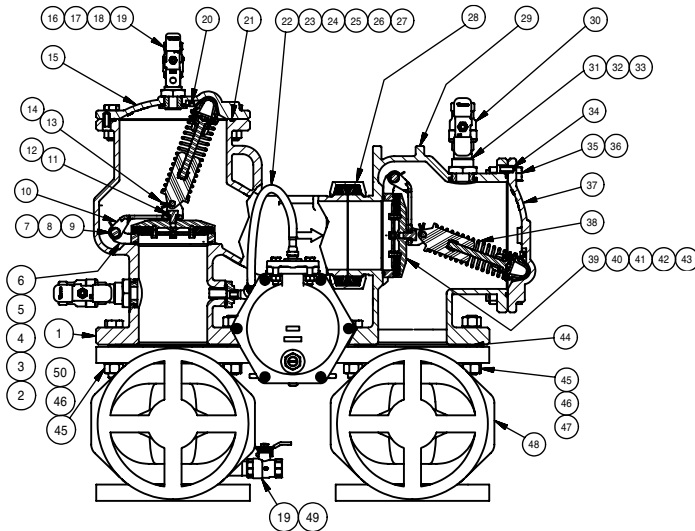
Supersedes all other price lists / Prices subject to change / Weights are estimated

¹Grooved ends available on all OS&Y gate valves in some models and sizes. Expect larger lead times.

Detailed maintenance manuals can be downloaded at www.FEBCOonline.com.

LF880V, LF886V

2 1/2" - 10" Reduced Pressure Zone Assemblies/ Reduced Pressure Zone Detector Assemblies



| Ordering Code | Style | Size | List Price |
|--|----------------|-------------|------------|
| Disc Assembly | | | |
| 905466 | ALL | 2 1/2" & 3" | \$ 121.50 |
| 905467 | ALL | 4" | 127.50 |
| 905468 | ALL | 6" | 168.00 |
| 905469 | ALL | 8" | 312.50 |
| 400145 | ALL | 10" | 276.00 |
| Kit Includes: Items 11, 12, 21, 39, 40, 41, 42, 43 | | | |
| Check Rubber Kit | | | |
| 905490 | ALL | 2 1/2" & 3" | 69.50 |
| 905491 | ALL | 4" | 75.50 |
| 905492 | ALL | 6" | 87.00 |
| 905493 | ALL | 8" | 145.00 |
| Kit Includes: Items 4, 5, 21, 40 | | | |
| Spring Module | | | |
| 905507 | 880, 886 (1st) | 2 1/2" & 3" | 116.00 |
| 905508 | 880, 886 (1st) | 4" | 127.50 |
| 905509 | 880, 886 (1st) | 6" | 156.50 |
| 905510 | 880, 886 (1st) | 8" | 173.50 |
| 905470 | 880 (2nd) | 2 1/2" & 3" | 52.25 |
| 905471 | 880 (2nd) | 4" | 67.25 |
| 905472 | 880 (2nd) | 6" | 109.00 |
| 905473 | 880 (2nd) | 8" | 121.50 |
| 905608 | 886 (2nd) | 2 1/2" & 3" | 74.50 |
| 905609 | 886 (2nd) | 4" | 85.75 |
| 905610 | 886 (2nd) | 6" | 128.75 |
| 905611 | 886 (2nd) | 8" | 125.25 |
| Kit Includes: Item 38 | | | |

| Ordering Code | Style | Size | List Price |
|--|---------------|----------------|------------|
| Seat Ring / Arm Assembly | | | |
| 905486 | ALL | 2 1/2" & 3" | \$ 220.00 |
| 905487 | ALL | 4" | 228.50 |
| 905488 | ALL | 6" | 325.50 |
| 905489 | ALL | 8" | 324.00 |
| Kit Includes: Items 2 thru 10, 21 | | | |
| Check Replacement Kit | | | |
| 905511 | 880,886 (1st) | 2 1/2" & 3" | 442.50 |
| 905512 | 880,886 (1st) | 4" | 559.00 |
| 905514 | 880,886 (1st) | 6" | 926.00 |
| 905515 | 880,886 (1st) | 8" | 1,377.00 |
| 905478 | 880 (2nd) | 2 1/2" & 3" | 440.00 |
| 905479 | 880 (2nd) | 4" | 554.50 |
| 905480 | 880 (2nd) | 6" | 806.50 |
| 905481 | 880 (2nd) | 8" | 1,177.00 |
| 905612 | 886 (2nd) | 2 1/2" & 3" | 469.50 |
| 905613 | 886 (2nd) | 4" | 566.75 |
| 905614 | 886 (2nd) | 6" | 824.00 |
| 905615 | 886 (2nd) | 8" | 1,234.00 |
| Kit Includes: Items 2 thru 12, 21, 38, 39, 40, 41, 42, 43 Cover O-Rings on all Check Kits | | | |
| Cover Assembly (Inlet Check 880V, Outlet 886V) | | | |
| 905167 | ALL | 2 1/2" & 3" | 187.00 |
| 905168 | ALL | 4" | 212.00 |
| 905169 | ALL | 6" | 246.00 |
| 905170 | ALL | 8" | 281.50 |
| 905171 | ALL | 10" | 291.50 |
| Kit Includes: Items 2, 4, 15, 20, 21 | | | |
| Cover Assembly (Outlet Check 880V) | | | |
| 905244 | ALL | 2 1/2" & 3" | 187.00 |
| 905245 | ALL | 4" | 212.00 |
| 905246 | ALL | 6" | 246.00 |
| 905247 | ALL | 8" | 281.50 |
| 905248 | ALL | 10" | 284.50 |
| Kit Includes: Items 2, 4, 20, 21, 37 | | | |
| Bulkhead Fittings for Cover | | | |
| 905275 | ALL | 2 1/2", 3", 4" | 24.25 |
| 905277 | ALL | 6", 8", 10" | 32.50 |
| Kit Includes: Items 16, 17, 18 | | | |
| Bulkhead Fittings for Body | | | |
| 905276 | 880V | 2 1/2", 3", 4" | 29.75 |
| 905277 | 880V | 6", 8", 10" | 32.50 |
| 905277 | 886V | 2 1/2" - 10" | 32.50 |
| Kit Includes: Items 31, 32, 33 | | | |

*The wetted surface of this product contacted by consumable water contains less than 0.25% of lead by weight.

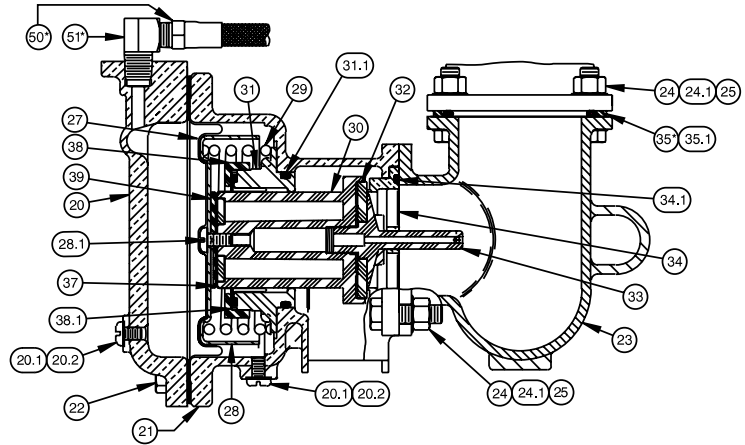
Supersedes all other price lists / Prices subject to change / Weights are estimated

¹Grooved ends available on all OS&Y gate valves in some models and sizes. Expect larger lead times.

860, 880

Relief Valve Repair Kits

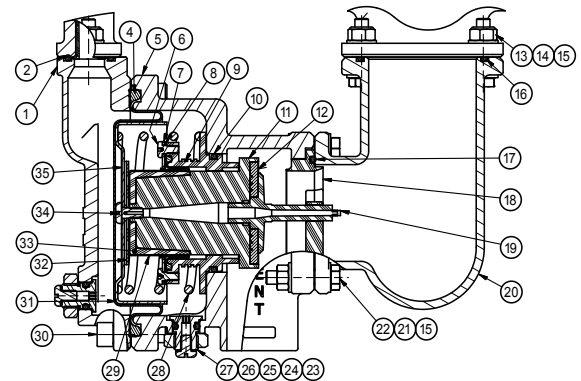
| Ordering Code | List Price |
|--|------------|
| RV Rubber Kit | |
| LEAD FREE 905316 | \$ 96.25 |
| Kit Includes: Items 26, 27, 31.1, 32, 34.1, 37 | |
| RV Repair Parts Kit | |
| 905192 | 240.50 |
| Kit Includes: Items 26, 27, 28, 28.1, 29, 30, 31, 31.1, 32, 33, 34, 34.1, 37, 38, 38.1, 39 | |
| Internal Module (Fully Assembled) | |
| 905320 | 201.00 |
| Kit Includes: Items 27, 28, 28.1, 29, 30, 31, 31.1, 32, 33, 37, 38, 38.1, 39 | |
| Complete Relief Valve (860) | |
| 905294 | 776.00 |
| Kit Includes: Fully Assembled | |
| Complete Relief Valve (880V) | |
| 905295 | 875.00 |
| Kit Includes: Fully Assembled | |



LF860, LF880V, LF866, LF886V

Relief Valve Repair Kits

| Ordering Code | List Price |
|---|------------|
| RV Rubber Kit | |
| LEAD FREE 905602 | \$ 98.50 |
| Kit Includes: Items 2, 4, 10, 12, 17 & 29 | |
| RV Repair Parts Kit | |
| LEAD FREE 905603 | 191.00 |
| Kit Includes: Items 2, 4, 6, 7, 8, 9, 10, 11, 12, 17, 18, 19, 28, 29, 31, 32, 33, 34 & 35 | |
| Complete RV W/Elbows (LF860/LF866 2 1/2" - 8") | |
| LEAD FREE 905606 | 607.50 |
| Kit Includes: Fully Assembled | |
| Complete RV W/Elbows (LF880V, LF886V, LF860/LF866 10") | |
| LEAD FREE 905607 | 694.50 |
| Kit Includes: Fully Assembled | |



LF856, LF876V, LF866, LF886V

Bypass Assemblies and Bypass Repair Kits

| Ordering Code | Size | List Price |
|--------------------------------|-------------|------------|
| LF856/LF866 | | |
| LEAD FREE 905629 | 2 1/2" - 4" | \$ 14.00 |
| 905630 | 6" - 10" | 16.25 |
| LF876V/LF886V | | |
| LEAD FREE 905625 | 2 1/2" - 3" | 14.00 |
| 905638 | 4" | 16.25 |
| 905626 | 6" | 16.25 |
| 905639 | 8" | 16.25 |
| 905640 | 10" | 16.25 |
| Kit supplied loosely assembled | | |

LF856, LF876V, LF866, LF886V cont.

Bypass Assemblies and Bypass Repair Kits

| Ordering Code | Size | List Price |
|--|--------------|------------|
| LF856/LF886/LF876V/LF886V/Bypass Hose | | |
| LEAD FREE 905631 | 2 1/2" - 4" | 14.00 |
| 905632 | 6" - 10" | 16.25 |
| FFFRK 619 CK1 Bypass Check Repair Kit | | |
| LEAD FREE 905633 | 2 1/2" - 10" | 16.25 |
| FFFRK 619 Bypass Check Assembly | | |
| LEAD FREE 905634 | 2 1/2" - 10" | 16.25 |

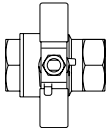
*The wetted surface of this product contacted by consumable water contains less than 0.25% of lead by weight.

Supersedes all other price lists / Prices subject to change / Weights are estimated

¹Grooved ends available on all OS&Y gate valves in some models and sizes. Expect larger lead times.

Detailed maintenance manuals can be downloaded at www.FEBCOonline.com.

Full Port Ball Valve



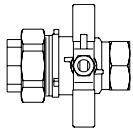
Model LF622F

Model LF622FT (Tapped)

| Ordering Code | Size | List Price |
|----------------------------|--------|------------|
| LF622F (Non Tapped) | | |
| 781047LL | 1/2" | \$ 14.00 |
| 781048LL | 3/4" | 16.25 |
| 781049LL | 1" | 31.75 |
| 781050LL | 1 1/4" | 56.25 |
| 781051LL | 1 1/2" | 80.00 |
| 781052LL | 2" | 103.50 |

| Ordering Code | Size | List Price |
|-------------------------|--------|------------|
| LF622FT (Tapped) | | |
| 781244LL | 1/2" | \$ 15.25 |
| 781053LL | 3/4" | 18.50 |
| 781054LL | 1" | 34.25 |
| 781055LL | 1 1/4" | 65.25 |
| 781056LL | 1 1/2" | 85.25 |
| 781057LL | 2" | 124.00 |

Union End Full Port Ball Valve



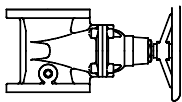
Model LF622UF

Model LF622UFT (Tapped)

| Ordering Code | Size | List Price |
|-----------------------------|--------|------------|
| LF622UF (Non Tapped) | | |
| 781288LL | 3/4" | \$ 26.00 |
| 781289LL | 1" | 41.25 |
| 781290LL | 1 1/4" | 91.25 |
| 781291LL | 1 1/2" | 132.50 |
| 781292LL | 2" | 185.00 |

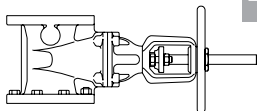
| Ordering Code | Size | List Price |
|--------------------------|--------|------------|
| LF622UFT (Tapped) | | |
| 781293LL | 1/2" | \$ 26.00 |
| 781294LL | 3/4" | 39.25 |
| 781295LL | 1" | 52.00 |
| 781296LL | 1 1/4" | 101.50 |
| 781297LL | 1 1/2" | 142.00 |
| 781298LL | 2" | 221.50 |

Resilient Wedge Gate Valve



NRS Gate Valve

| Ordering Code | Size | List Price |
|---------------------------|--------|------------|
| NRS RW Gate Valves | | |
| 781005 | 2 1/2" | \$ 608.00 |
| 781006 | 3" | 623.50 |
| 781007 | 4" | 796.00 |
| 781008 | 6" | 1,124.00 |
| 781009 | 8" | 1,633.00 |
| 781010 | 10" | 2,864.00 |



OSY Gate Valve

| Ordering Code | Size | List Price |
|---------------------------|--------|------------|
| OSY RW Gate Valves | | |
| 780891 | 2 1/2" | \$ 796.00 |
| 780893 | 3" | 989.50 |
| 780895 | 4" | 996.00 |
| 780897 | 6" | 1,385.00 |
| 780899 | 8" | 2,392.00 |
| 780901 | 10" | 3,357.00 |

The resilient wedge gate valve consists of a cast iron, epoxy coated body, with fully rubber encapsulated wedge. The valve body is flanged and rated to 200 PSI and tapped for test cock requirements. The non-rising stem gate valve is tested to AWWA (C509 NRS). The outside stem and yoke gate valve is UL Listed and FM Approved. Customer needs to specify the gate valve manufacturer required on the project.

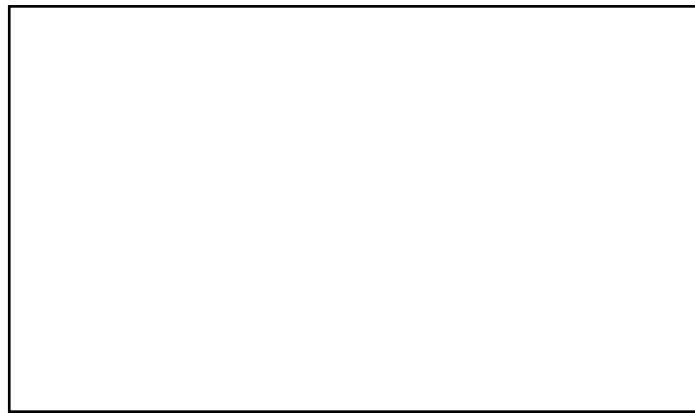
*The wetted surface of this product contacted by consumable water contains less than 0.25% of lead by weight.

Supersedes all other price lists / Prices subject to change / Weights are estimated

¹Grooved ends available on all OS&Y gate valves in some models and sizes. Expect larger lead times.

To locate your nearest FEBCO representative, please go to
FEBCOonline.com/pages/contact.asp

Represented by:



A WATTS Brand

USA: T: (800) 767-1234 • F: (800) 788-4491 • FEBCOonline.com

Canada: T: (905) 332-4090 • F: (905) 332-7068 • FEBCOonline.ca

Latin America: (52) 81-1001-8600 • F: (52) 81-8000-7091 • FEBCOonline.com