

**! WARNING**

**EUROPEAN USERS**

400V 50Hz SUPPLY DETAILS ARE INCLUDED WITH ELECTRICAL CONTROL BOX. DISREGARD SUPPLY WIRING DETAILS IN THIS MANUAL

**IMPORTANT SAFETY INSTRUCTIONS  
SAVE THESE INSTRUCTIONS**

PLEASE READ THE ENTIRE CONTENTS OF THIS MANUAL PRIOR TO INSTALLATION AND OPERATION. BY PROCEEDING WITH LIFT INSTALLATION AND OPERATION YOU AGREE THAT YOU FULLY UNDERSTAND AND COMPREHEND THE FULL CONTENTS OF THIS MANUAL. FORWARD THIS MANUAL TO ALL OPERATORS. FAILURE TO OPERATE THIS EQUIPMENT AS DIRECTED MAY CAUSE INJURY OR DEATH.

Rev. C2 - March 2020  
Part Number 5900371

**INSTALLATION AND OPERATION MANUAL**

**9,000 LB / 4.082 KG CAPACITY  
SURFACE MOUNTED TWO-POST LIFTS**

**MODELS:  
XPR-9S  
XPR-9S-LP  
XPR-9TS**



**READ FIRST**



Do not operate this machine until you read and understand all the dangers, warnings and cautions in this manual.

**ORIGINAL INSTRUCTIONS IN  
ENGLISH LANGUAGE**



**RECEIVING**

The shipment should be thoroughly inspected as soon as it is received. The signed Bill of Lading is acknowledgement by the shipping carrier as receipt of this product as listed in your invoice as being in a good condition of shipment. If any of these goods listed on this Bill of Lading are missing or damaged, do not accept goods until the shipping carrier makes a notation on the freight bill of the missing or damaged goods. Do this for your own protection.

**BE SAFE**

Your new lift was designed and built with safety in mind. However, your overall safety can be increased with proper training and thoughtful operation on the part of the operator. DO NOT operate or repair this equipment without reading this manual and the important safety instructions shown inside. Keep this operation manual near the lift at all times. Make sure that ALL USERS read and understand this manual.



1645 Lemonwood Dr.  
Santa Paula, CA. 93060, USA  
Toll Free 1-800-253-2363  
Tel: 1-805-933-9970  
Fax: 1-805-933-9160  
www.bendpak.com

# 9,000 LB/4082 KG CAPACITY SURFACE MOUNTED TWO-POST LIFTS

This instruction manual has been prepared especially for you. Your new lift is the product of over 40 years of continuous research, testing and development; it is the most technically advanced lift on the market today.

## READ THIS ENTIRE MANUAL BEFORE INSTALLATION & OPERATION BEGINS.

RECORD HERE THE LIFT AND POWER UNIT INFORMATION WHICH IS LOCATED ON THE SERIAL NUMBER DATA PLATES ON THE LIFT AND ON THE POWER UNIT

Power Unit Model # \_\_\_\_\_  
 Power Unit Date Of Mfg. \_\_\_\_\_  
 Power Unit Serial # \_\_\_\_\_  
 Max Operating Pressure 2,916 PSI

This information is required when calling for parts or warranty issues.

## PRODUCT WARRANTY

Our comprehensive product warranty means more than a commitment to you; it's also a commitment to the value of your new BendPak lift. For full warranty details and to register your new lift contact your nearest BendPak dealer or visit: <http://www.bendpak.com/support/warranty>

What is not covered under this warranty:

- Any failure that results from Purchaser's abuse, neglect or failure to operate, maintain or service product in accordance with instructions provided in the owner's manual(s) supplied.
- Any damage caused by overloading lift beyond rated capacity.
- Items or service normally required to maintain the product, i.e. lubricants, oil, etc.
- Items considered general wear parts such as rubber pads, lifting cables, etc. unless wear or failure is a direct result of manufacturer defect due to material and/or workmanship.
- Any component damaged in shipment or any failure caused by installing or operating lift under conditions not in accordance with installation and operation guidelines or damaged by contact with tools or surroundings.
- Motor or pump failure caused by rain, excessive humidity, corrosive environments or other contaminants.
- Rusted components due to improper maintenance or corrosive environments.
- Cosmetic defects that do not interfere with product functionality.
- Damage due to incorrect voltage or improper wiring.
- Any incidental, indirect, or consequential loss, damage or expense that may result from any defect, failure or malfunction of BendPak Inc. product.
- All electrical components (excluding power unit) are guaranteed for one year against defects in workmanship and/or materials when the lift is installed and used according to specifications.

### NOTE:

Every effort has been taken to ensure complete and accurate instructions have been included in this manual, however, possible product updates, revisions and or changes may have occurred since this printing. BendPak Ranger reserves the right to change specifications without incurring any obligation for equipment previously or subsequently sold. Not responsible for typographical errors.

## IMPORTANT NOTICE

Do not attempt to install this lift if you have never been trained on basic automotive lift installation procedures. Never attempt to lift components without proper lifting tools such as forklift or cranes. Stay clear of any moving parts that can fall and cause injury. These instructions must be followed to ensure proper installation and operation of your lift. Failure to comply with these instructions can result in serious bodily harm and void product warranty. Manufacturer will assume no liability for loss or damage of any kind, expressed or implied resulting from improper installation or use of this product.



**PLEASE READ ENTIRE MANUAL  
PRIOR TO INSTALLATION.**

## DEFINITIONS OF HAZARD LEVELS

Identify the hazard levels used in this manual with the following definitions and signal words:



Watch for this symbol: It Means: Immediate hazards which will result in severe personal injury or death.



Watch for this symbol. It Means: Hazards or unsafe practices which could result in severe personal injury or death.



Watch for this symbol: It Means: Hazards or unsafe practices which may result in minor personal injury, product or property damage.

## OWNER'S RESPONSIBILITY

To maintain the lift and user safety, the responsibility of the owner is to read and follow these instructions:

- ◆ Follow all installation and operation instructions.
- ◆ Make sure installation conforms to all applicable Local, State, and Federal Codes, Rules, and Regulations; such as State and Federal OSHA Regulations and Electrical Codes.
- ◆ Carefully check the lift for correct initial function.
- ◆ Read and follow the safety instructions. Keep them readily available for machine operators.
- ◆ Make certain all operators are properly trained, know how to safely and correctly operate the unit, and are properly supervised.
- ◆ Allow unit operation only with all parts in place and operating safely.
- ◆ Carefully inspect the unit on a regular basis and perform all maintenance as required.
- ◆ Service and maintain the unit only with authorized or approved replacement parts.
- ◆ Keep all instructions permanently with the unit and all decals on the unit clean and visible.

## BEFORE YOU BEGIN

### Receiving:

The shipment should be thoroughly inspected as soon as it is received. The signed bill of lading is acknowledgement by the carrier of receipt in good condition of shipment covered by your invoice. If any of the goods called for on this bill of lading are shorted or damaged, do not accept them until the carrier makes a notation on the freight bill of the shorted or damaged goods. Do this for your own protection.

**NOTIFY THE CARRIER AT ONCE** if any hidden loss or damage is discovered after receipt and request the carrier to make an inspection. If the carrier will not do so, prepare a signed statement to the effect that you have notified the carrier (on a specific date) and that the carrier has failed to comply with your request.

**IT IS DIFFICULT TO COLLECT FOR LOSS OR DAMAGE AFTER YOU HAVE GIVEN THE CARRIER A CLEAR RECEIPT.** File your claim with the carrier promptly. Support your claim with copies of the bill of lading, freight bill, invoice, and photographs, if available. Our willingness to assist in helping you process your claim does not make BendPak responsible for collection of claims or replacement of lost or damaged materials.

# TABLE OF CONTENTS

Warranty / Serial Number Information . . . . .	2
Definitions of Hazard Levels . . . . .	3
Owner's Responsibility . . . . .	3
Before You Begin . . . . .	3
Installer/Operator Agreement/ Protective Equipment . . . . .	5
Introduction . . . . .	6
Safety / Warning Instructions . . . . .	6
Tools Required . . . . .	7
Step 1 / Selecting Site . . . . .	7
Step 2 / Floor Requirements . . . . .	7
Concrete Specifications . . . . .	7
Assembly View / Description of Parts . . . . .	8
Floor Plan . . . . .	9
Step 3 / Post Preparation . . . . .	10-12
Step 4 / Site Layout . . . . .	13
Clearances . . . . .	14
Step 5 / Installing Power Side Post . . . . .	14-15
Step 6 / Installing Off Side Post . . . . .	15
Step 7 / Mounting The Hydraulic Power Unit . . . . .	15-16
Step 8 / Installing the Safeties and Safety Cable . . . . .	16-18
Step 9 / Installing Hydraulic Lines . . . . .	18
Step 10 / Routing the Equalizer Cables . . . . .	19-20
Step 11 / Installing Power Unit Hose Assembly and Power Side Safety Cover . . . . .	20
Step 12 / Installing the Lift Arms . . . . .	20-22
Post Tie Rod Installation Warning. . . . .	22
Leveling Instructions . . . . .	23
Step 13 / Power Unit Connection . . . . .	24-26
Step 14 / Lift Start Up / Final Adjustments . . . . .	26
Post Installation Checklist . . . . .	27
Step 15 / Lubrication. . . . .	27
Step 16 / Operation / Maintenance . . . . .	27-41
Optional Equipment . . . . .	33-35
Troubleshooting Guide / Torque Recommendation . . . . .	42-45
Maintenance Records. . . . .	46
Part Number Lists . . . . .	48-53
Certificate of Compliance . . . . .	54
CE Certificate . . . . .	55

**INSTALLER / OPERATOR  
PLEASE READ AND FULLY  
UNDERSTAND.  
BY PROCEEDING YOU AGREE TO  
THE FOLLOWING:**



Please read entire manual prior to installation. Do not operate this machine until you read and understand all the dangers, warnings and cautions in this manual. For additional copies or further information, contact:

- ◆ I have visually inspected the site where the lift is to be installed and verified the concrete to be in good condition and free of cracks or other defects. I understand that installing a lift on cracked or defective concrete could cause lift failure resulting in personal injury or death.
- ◆ I understand that a level floor is required for proper installation and level lifting.
- ◆ I understand that I am responsible if my floor is of questionable slope and that I will be responsible for all charges related to pouring a new level concrete slab if required and any charges.
- ◆ I understand that Bendpak lifts are supplied with concrete fasteners meeting the criteria of the American National Standard "Automotive Lifts - Safety Requirements for Construction, Testing, and Validation" ANSI/ALI ALCTV-2011, and that I will be responsible for all charges related to any special regional structural and/or seismic anchoring requirements specified by any other agencies and/or codes such as the Uniform Building Code (UBC) and/or International Building Code (IBC).
- ◆ I will assume full responsibility for the concrete floor and condition thereof, now or later, where the above equipment model(s) are to be installed. Failure to follow danger, warning, and caution instructions may lead to serious personal injury or death to operator or bystander or damage to property.
- ◆ I understand that BendPak lifts are designed to be installed in indoor locations only. Failure to follow installation instructions may lead to serious personal injury or death to operator or bystander or damage to property or lift.



Failure to follow danger, warning, and caution instructions may lead to serious personal injury or death to operator or bystander or damage to property.

**BendPak Inc. / Ranger Products**

1645 Lemonwood Dr.  
Santa Paula, CA. 93060  
1-805-933-9970  
Fax: 1-805-933-9160  
www.bendpak.com

**INSTALLER / OPERATOR  
PROTECTIVE EQUIPMENT**

Personal protective equipment helps makes installation and operation safer, however, it does not take the place of safe operating practices. Always wear durable work clothing during any installation and/or service activity. Shop aprons or shop coats may also be worn, however loose fitting clothing should be avoided. Tight fitting leather gloves are recommended to protect technician hands when handling parts. Sturdy leather work shoes with steel toes and oil resistant soles should be used by all service personnel to help prevent injury during typical installation and operation activities.

Eye protection is essential during installation and operation activities. Safety glasses with side shields, goggles, or face shields are acceptable. Everyday eyeglasses only have impact resistant lenses, they are not safety glasses. Back belts provide support during lifting activities and are also helpful in providing worker protection. Consideration should also be given to the use of hearing protection if service activity is performed in an enclosed area, or if noise levels are high.



**THIS SYMBOL POINTS OUT IMPORTANT SAFETY INSTRUCTIONS WHICH IF NOT FOLLOWED COULD ENDANGER THE PERSONAL SAFETY AND/OR PROPERTY OR YOURSELF AND OTHERS AND CAN CAUSE PERSONAL INJURY OR DEATH. READ AND FOLLOW ALL INSTRUCTIONS IN THIS MANUAL BEFORE ATTEMPTING TO OPERATE THIS MACHINE.**

# INTRODUCTION

1. Carefully remove the crating and packing materials. CAUTION! Be careful when cutting steel banding material as items may become loose and fall causing personal harm or injury.

2. Check the voltage, phase, and proper amperage requirements for the motor shown on the motor plate. Electrical work should be performed only by a certified electrician.

## IMPORTANT SAFETY INSTRUCTIONS

Read these safety instructions entirely. Do not attempt to install this lift if you have never been trained on basic automotive lift installation procedures. Never attempt to lift components without proper lifting tools such as forklift or cranes. Stay clear of any moving parts that may fall and cause injury. When using your garage equipment, basic safety precautions should always be followed, including the following:

1. Read and understand all instructions and all safety warnings before operating lift.
2. Care must be taken as burns can occur from touching hot parts.
3. Do not operate equipment with a damaged cord or if the equipment has been dropped or damaged until it has been examined by a qualified service person.
4. Do not let a cord hang over the edge of the table, bench, or counter or come in contact with hot manifolds or moving fan blades.
5. If an extension cord is necessary, a cord with a current rating equal to or more than that of the equipment should be used. Cords rated for less current than the equipment may overheat. Care should be taken to arrange the cord so that it will not be tripped over or pulled.
6. Always unplug equipment from electrical outlet when not in use. Never use the cord to pull the plug from the outlet. Grasp plug and pull to disconnect.
7. Let equipment cool completely before putting away. Loop cord loosely around equipment when storing.
8. To reduce the risk of fire, do not operate equipment in the vicinity of open containers of flammable liquids (gasoline).
9. Adequate ventilation should be provided when working on operating internal combustion engines.
10. Keep hair, loose clothing, fingers, and all parts of body away from moving parts. Keep feet clear of lift when lowering. Avoid pinch points.
11. DANGER! To reduce the risk of electric shock, do not use on wet surfaces or expose to rain. The power unit used on this lift contains high voltage. Disconnect power at the receptacle or at the circuit breaker switch before performing any electrical repairs. Secure plug so that it cannot be accidentally plugged in during service. or mark circuit breaker switch so that it cannot be accidentally switched on during service.
12. Use only as described in this manual. Use only manufacturer's recommended attachments.



13. ALWAYS WEAR SAFETY GLASSES. Everyday eyeglasses only have impact resistant lenses, they are not safety glasses.
14. Consider work environment. Keep work area clean. Cluttered work areas invite injuries. Keep areas well lit.
15. Guard against electric shock. This lift must be grounded while in use to protect operator from electric shock. Never connect the green power cord wire to a live terminal. This is for ground only.
16. Only trained staff should operate this lift. All non-trained personnel should be kept away from the work area. Never let non-trained people come in contact with, or operate lift.
17. DO NOT override self-closing lift controls.
18. Clear area if vehicle is in danger of falling.
19. ALWAYS make sure the safeties are engaged before attempting to work on or near a vehicle.
21. WARNING! RISK OF EXPLOSION. This equipment has internal arcing or sparking parts which should not be exposed to flammable vapors. This machine should not be located in a recessed area or below floor level.
22. MAINTAIN WITH CARE. Keep lift clean for better and safer performance. Follow manual for proper lubrication and maintenance instructions. Keep control handles and/or buttons dry, clean and free from grease and oil.
23. Check for damaged parts. Check for alignment of moving parts, breakage of parts or any condition that may affect operation of lift. Do not use lift if any component is broken or damaged.
24. NEVER remove safety related components from the lift. Do not use lift if safety related components are missing or damaged.
23. STAY ALERT. Use common sense and watch what you are doing. Remember, SAFETY FIRST.



**SAVE THESE INSTRUCTIONS**

## TOOLS REQUIRED

- ◆ Rotary Hammer Drill or Similar
- ◆ 3/4" Masonry Bit
- ◆ Hammer
- ◆ 4 Foot Level
- ◆ Open-End Wrench Set: SAE/Metric
- ◆ Socket And Ratchet Set: SAE/Metric
- ◆ Hex-Key / Allen Wrench Set
- ◆ Large Crescent Wrench
- ◆ Large Pipe Wrench
- ◆ Crow Bar
- ◆ Chalk Line
- ◆ Medium Flat Screwdriver
- ◆ Tape Measure: 25 Foot Minimum
- ◆ Needle Nose Pliers

## IMPORTANT NOTICE

These instructions must be followed to ensure proper installation and operation of your lift. Failure to comply with these instructions can result in serious bodily harm and void product warranty. Manufacturer will assume no liability for loss or damage of any kind, expressed or implied resulting from improper installation or use of this product.

### PLEASE READ ENTIRE MANUAL PRIOR TO INSTALLATION

#### STEP 1

(Selecting Site)

Before installing your new lift, check the following.

1. **LIFT LOCATION:** Always use architects plans when available. Check layout dimension against floor plan requirements making sure that adequate space if available.
2. **OVERHEAD OBSTRUCTIONS:** The area where the lift will be located should be free of overhead obstructions such as heaters, building supports, electrical lines etc.
3. **DEFECTIVE FLOOR:** Visually inspect the site where the lift is to be installed and check for cracked or defective concrete.



4. **OPERATING TEMPERATURE.** Operate lift only between temperatures of 41° -104° F.
5. Lift is designed for **INDOOR INSTALLATION ONLY.** Outdoor use permitted only if covered and dry. Always follow warnings illustrated on equipment labels.

#### STEP 2

(Floor Requirements)



This lift must be installed on a solid level concrete floor with no more than 3-degrees of slope. Failure to do so could cause personal injury or death.

A level floor is suggested for proper use and installation and level lifting. If a floor is of questionable slope, consider a survey of the site and/or the possibility of pouring a new level concrete slab.



- ◆ **DO NOT** install or use this lift on any asphalt surface or any surface other than concrete.
- ◆ **DO NOT** install or use this lift on expansion seams or on cracked or defective concrete.
- ◆ **DO NOT** install or use this lift on a second / elevated floor without first consulting building architect.

### CONCRETE SPECIFICATIONS

LIFT MODEL	CONCRETE REQUIREMENTS
XPR-9S	4.25" Min. Thickness / 3,000 PSI
XPR-9S-LP	4.25" Min. Thickness / 3,000 PSI
XPR-9TS	4.25" Min. Thickness / 3,000 PSI



All models **MUST** be installed on 3,000 PSI concrete only conforming to the minimum requirements shown above. New concrete must be adequately cured by at least 28 days minimum.

#### IMPORTANT NOTE:

**BendPak lifts are supplied with installation instructions and concrete fasteners meeting the criteria as prescribed by the American National Standard "Automotive Lifts - Safety Requirements for Construction, Testing, and Validation" ANSI/ALI ALCTV-2011. Lift buyers are responsible for any special regional structural and/or seismic anchoring requirements specified by any other agencies and/or codes such as the Uniform Building Code (UBC) and/or International Building Code (IBC).**

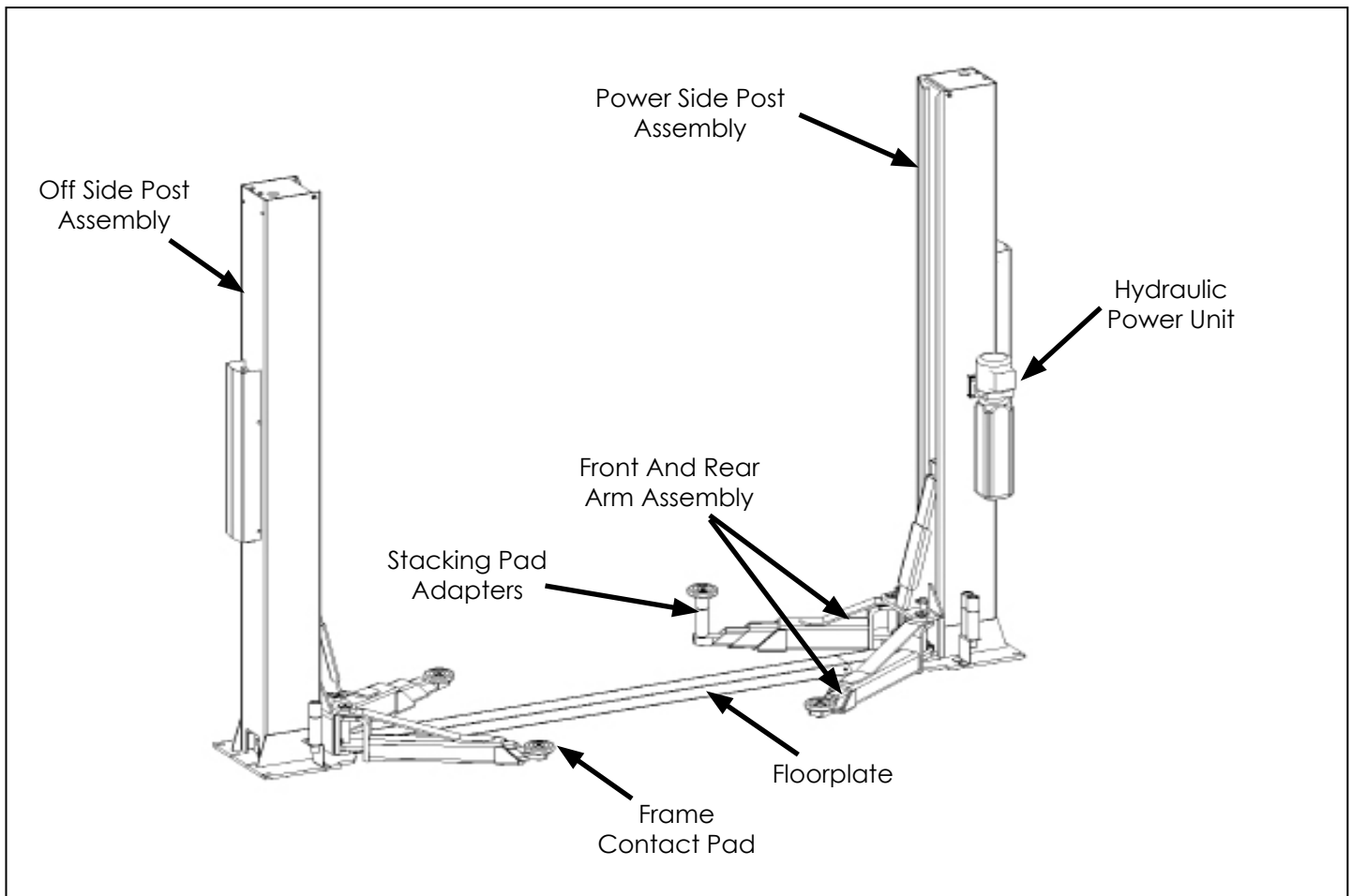


When removing the lift from shipping angles, pay close attention as the posts can slide and can cause injury. Prior to removing the bolts make sure the posts are held securely by a fork lift or some other heavy lifting device.

## PARTS INVENTORY

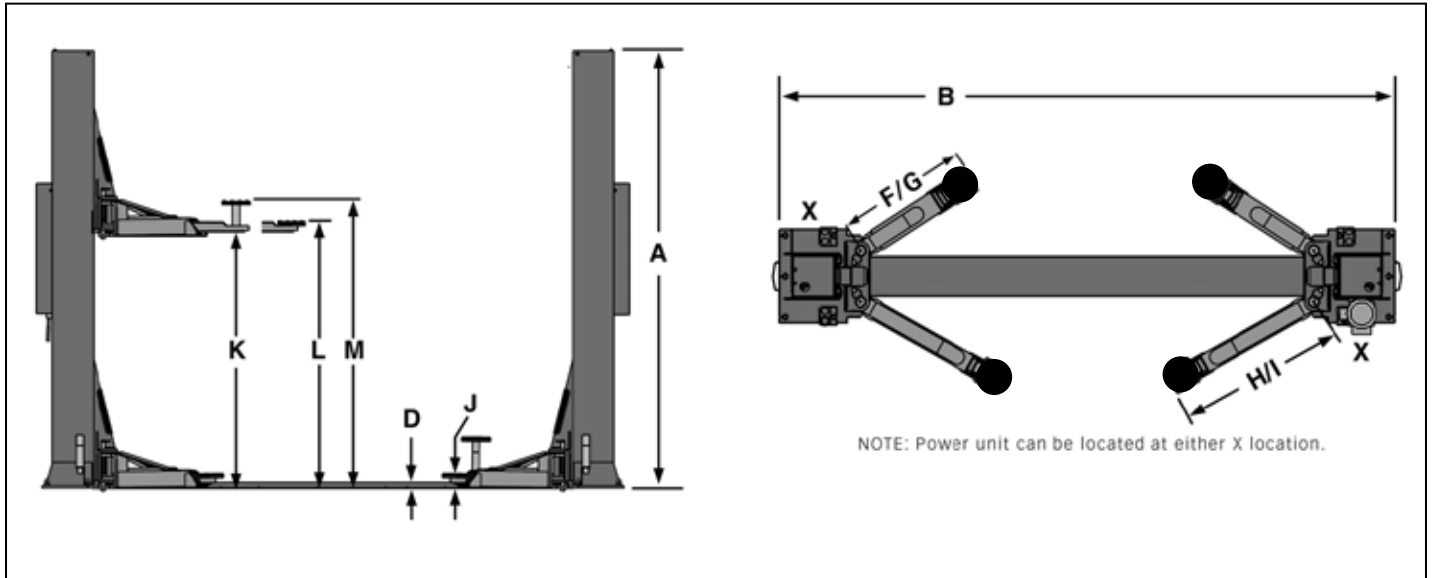
Be sure to take a complete inventory of parts prior to beginning installation.

Description	Qty
Floorplate	1
Front Arm Assembly	2
Rear Arm Assembly	2
Off Side Post with Lift Head Assembly	1
Power Side Post with Lift Head Assembly	1
Hydraulic Cylinder	2
Parts Box (Packing List Enclosed)	1
Parts Bag (Packaged in Part Box)	1
Hydraulic Power Unit	1





## FLOOR PLAN AND POWER UNIT INSTALLATION



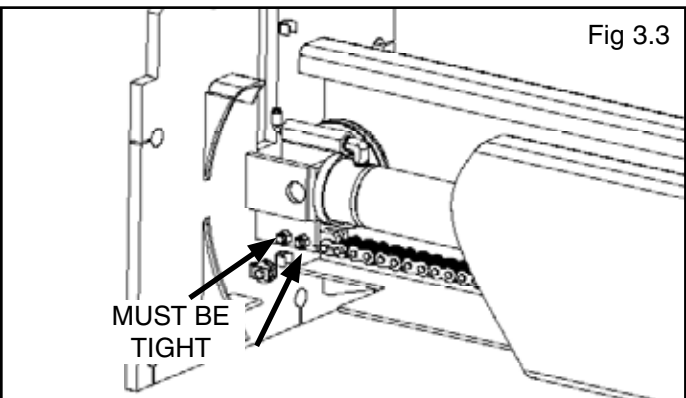
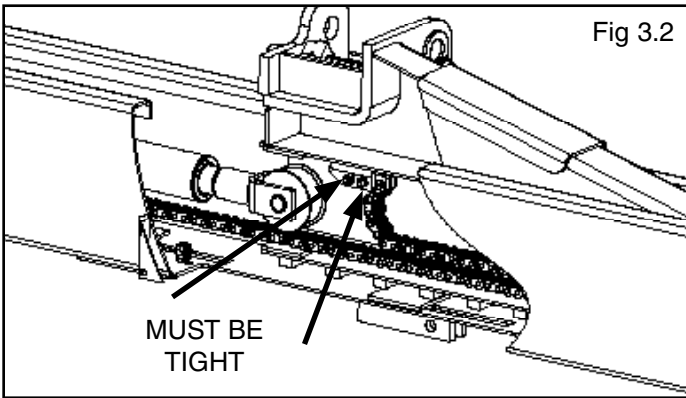
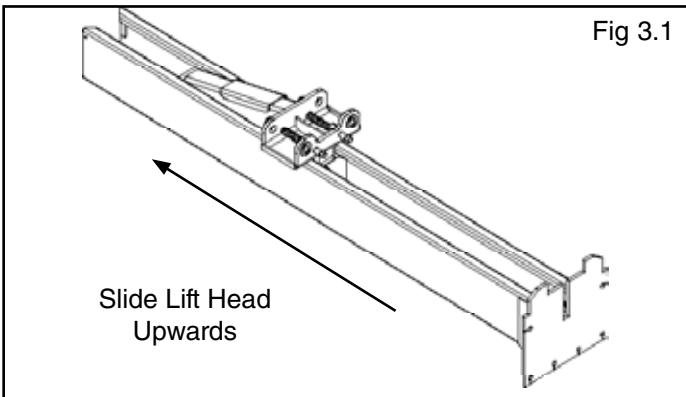
MODEL	XPR-9S	XPR-9S-LP	XPR-9TS
Lifting Capacity	9,000 lbs." / 4082 kg.	9,000 lbs." / 4082 kg.	9,000 lbs." / 4082 kg.
*Max Capacity/ Front Axle	4,500 lbs." / 2041 kg.	4,500 lbs." / 2041 kg.	4,500 lbs." / 2041 kg.
*Max Capacity/ Rear Axle	4,500 lbs." / 2041 kg.	4,500 lbs." / 2041 kg.	4,500 lbs." / 2041 kg.
A -Height Overall; (*)	113" / 2870 mm.	113" / 2870 mm.	113" / 2870 mm.
B -Width Overall -NARROW CONFIGURATION	132" / 3353 mm.	132" / 3353 mm.	132" / 3353 mm.
B -Width Overall -WIDE CONFIGURATION	145" / 3683 mm.	145" / 3683 mm.	145" / 3683 mm.
D- Floor Pan Height:	1-3/4" / 44 mm	1-3/4" / 44 mm	1-3/4" / 44 mm
F -Reach (Front Arm Min.):	27-1/2" / 698 mm	28-1/2" / 724 mm	27-1/2" / 698 mm
G -Reach (Front Arm Max.):	51-1/2" / 1308 mm	47-1/2" / 1206 mm	51-1/2" / 1308 mm
H- Reach (Rear Arm Min.):	34" / 863 mm	28-1/2" / 724 mm	27-1/2" / 698 mm
I- Reach (Rear Arm Max.):	54-1/2" / 1384 mm	47-1/2" / 1206 mm	51-1/2" / 1308 mm
J- Min. Pad Height:	4.25" / 108 mm	4.25" / 108 mm	4.25" / 108 mm
Screw Pad Adjustment:	1.75" / 44.5 mm	1.75" / 44.5 mm	1.75" / 44.5 mm
K- Rise:	72" / 1829 mm	72" / 1829 mm	72" / 1829 mm
L -Max Lift Height (Pad Only):	78"/1981mm	78"/1981mm	78"/1981mm
M - Max Lift Height (2.5" Adapter):	80.5" / 2044mm	80.5" / 2044mm	80.5 / 2044mm
Motor(**)	220 VAC / 60 Hz. 1Ph.	220 VAC / 60 Hz. 1Ph.	220 VAC / 60 Hz. 1Ph.
Time of Full Rise:	45 Seconds	45 Seconds	45 Seconds
Max Load Per Arm:	2,250 Lbs. / 1021 Kg.	2,250 Lbs. / 1021 Kg.	2,250 Lbs. / 1021 Kg.
Emission sound pressure at Operator Position < 70 dB(A)			
* For CE compliant countries see errata sheet included with control panel. Special Voltages Available Upon Request.			
The design, material and specifications are subject to change without notice.			
**Special Voltages Available Upon Request.			

**STEP 3  
(Post Preparation)  
COMPLETE THE FOLLOWING  
PRIOR TO STANDING UP POSTS.**

**NOTE:  
DETERMINE DESIRED LOCATION AND WIDTH  
LAYOUT BEFORE RAISING COLUMNS.  
REFER TO LAYOUT CHARTS ON PAGE 13.**

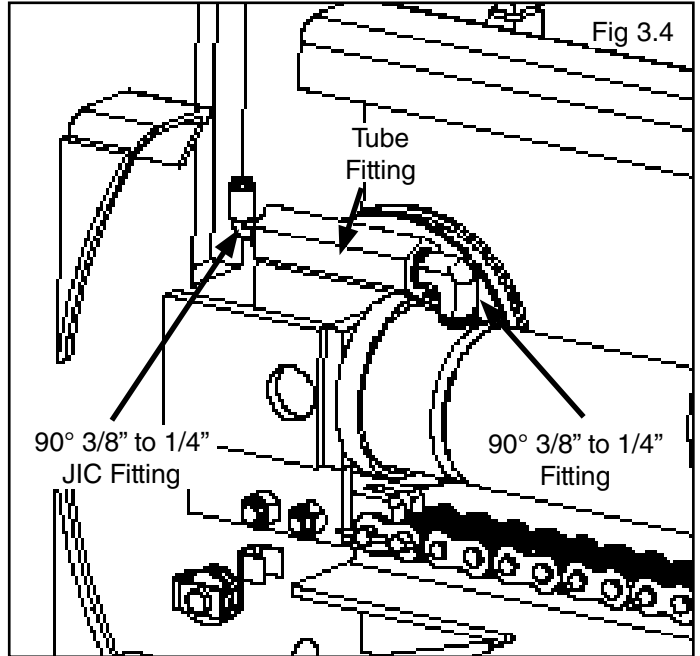


**FAILURE TO TORQUE LIFT CHAIN BOLTS PROPERLY  
MAY RESULT IN PERSONAL INJURY AND/OR DEATH.  
ENSURE THE SOCKET HEAD CAP SCREWS ARE  
TIGHT PRIOR TO LIFT OPERATION.**

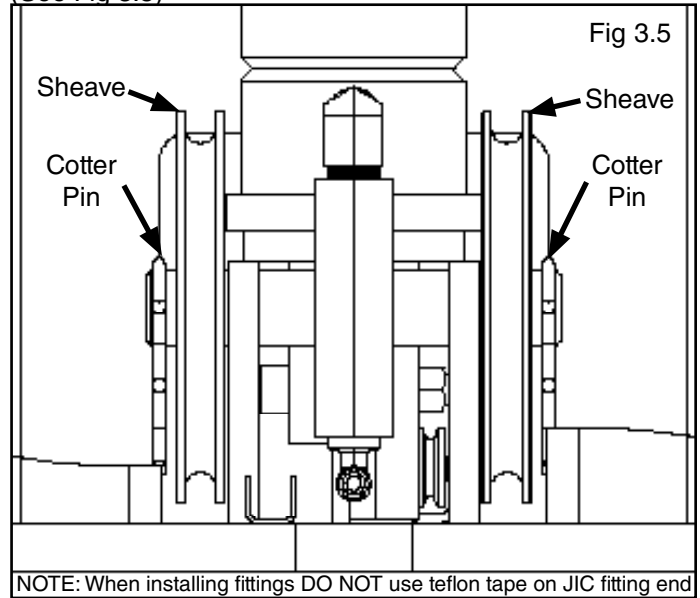


1. With the post assemblies laying on the floor, slide the lift head up towards the top of the post. Inspect and ensure all socket head cap screws and hex nuts are tight. (See Fig 3.1 - 3.3)

2. Install cylinder fittings. First install the 90° 3/8" Fitting into the cylinder port using teflon tape on the pipe threads. Next, assemble the tube fitting and 3/8" to 1/4" Hose Fitting together. Again, use teflon tape on all pipe threads. **DO NOT** use teflon tape on the JIC hose fittings. (See Fig 3.4)



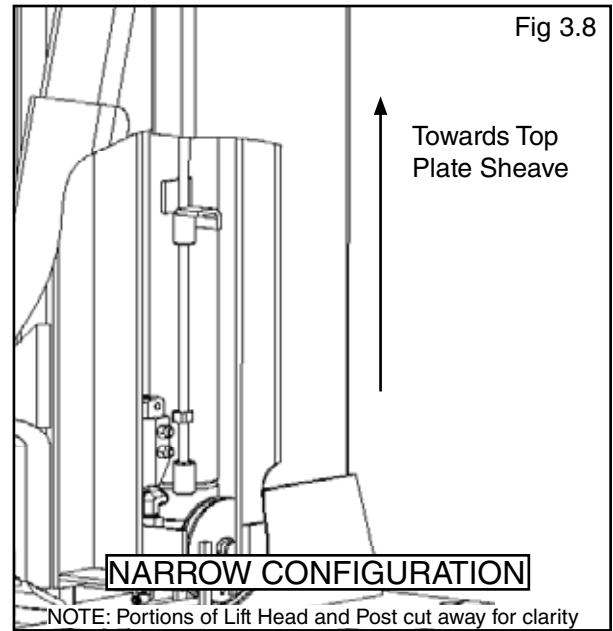
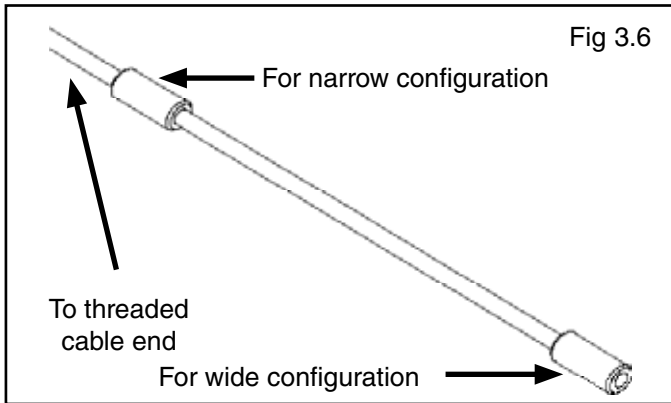
3. With the lift head still slid towards the top of the post, remove the sheaves on the post base plate to aid in equalizer cable routing by first removing the two cotter pins securing them, then by sliding the sheaves off of the sheave shaft. (See Fig 3.5)



NOTE: When installing fittings DO NOT use teflon tape on JIC fitting end

**NOTE FOR XPR-9S MODELS:  
FOR NARROW CONFIGURATION USE THE  
BUTTON LOCATED AT 12" ABOVE CABLE END.  
FOR WIDE CONFIGURATION USE THE BUTTON  
LOCATED ON THE END OF THE CABLE.**

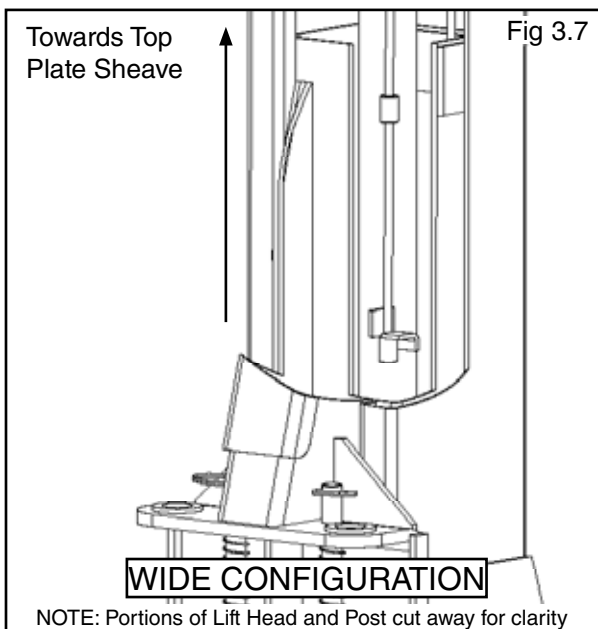
4. Identify the correct cable button on the end of each equalizer cable that corresponds to your desired lift configuration. (See Fig 3.6) Secure the correct cable button at the lift head lock plate located inside each lift head.



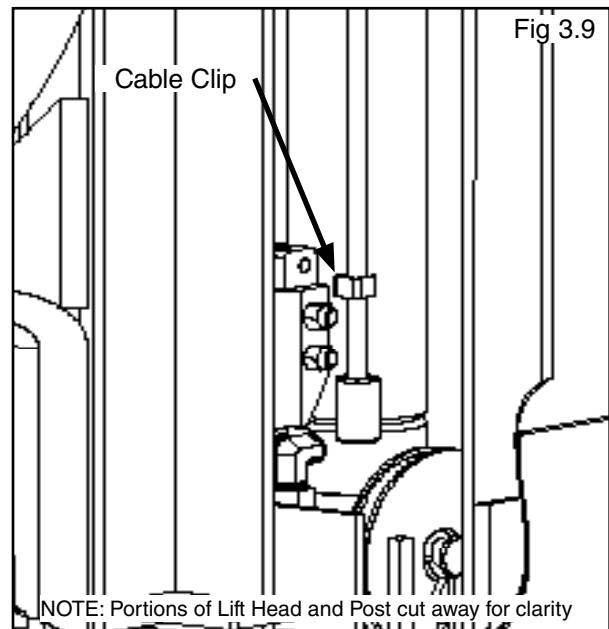
**FAILURE TO SECURE CABLE BUTTON FOR  
NARROW LIFT CONFIGURATION MAY RESULT IN  
LIFTING CHAIN FAILURE OR LIFT MALFUNCTION.**

**NOTE:  
REFER TO STEP 10 FOR CABLE ROUTING DETAILS.  
ROUTE BUTTON END OF CABLES PRIOR TO  
RAISING UP THE POSTS.**

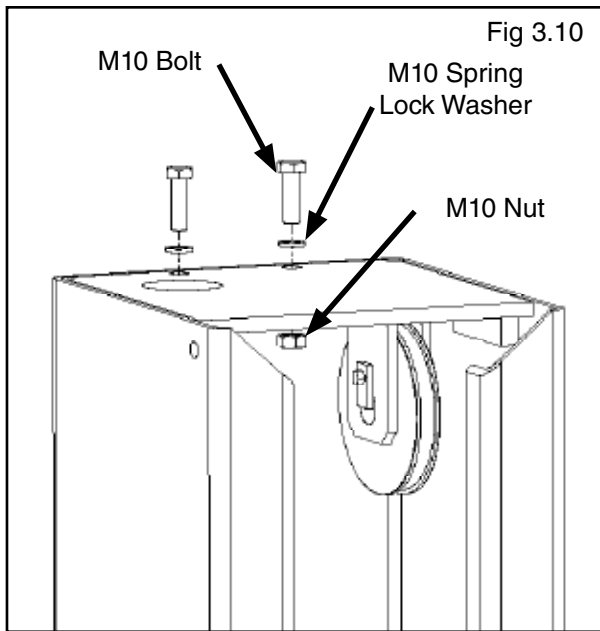
5. Route the correct button end of the equalizer cable for your chosen lift layout through the cable retainer, located inside the lift head on the front lift head tube wall, up to where the Top Plate sheave would be, and coil the remaining cable up and leave it in the post above the lift head. (See Fig 3.7-3.8)



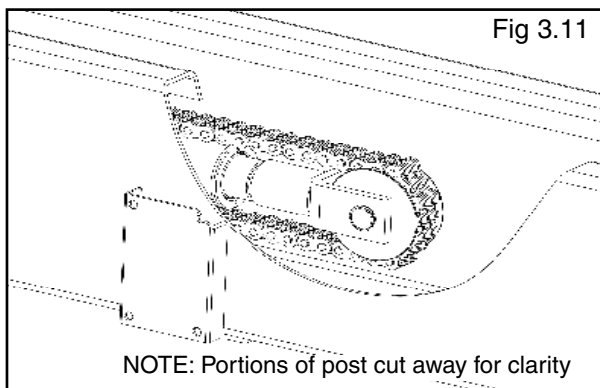
6. If you have chosen the NARROW lift configuration, secure cable button end by inserting cable into the designated cable clip. (See Fig 3.9)



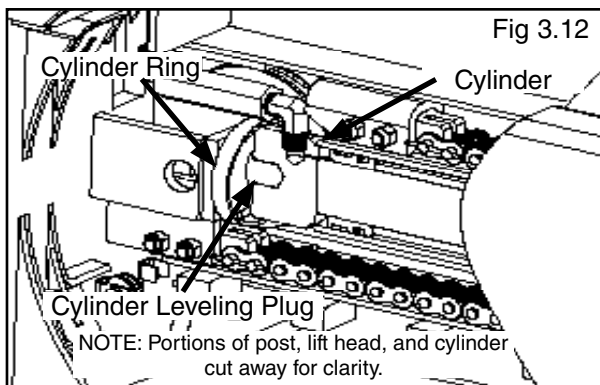
7. Install the Top Plate Assembly using the M10 hardware as provided in the Parts Bag. (See Fig 3.10)



8. Slide lift head back towards the base plate. Ensure the lift head chain is properly positioned with the lift head chain sheave. (See Fig 3.11) Failure to properly align lift head chain and/or cylinder will result in lift malfunction.

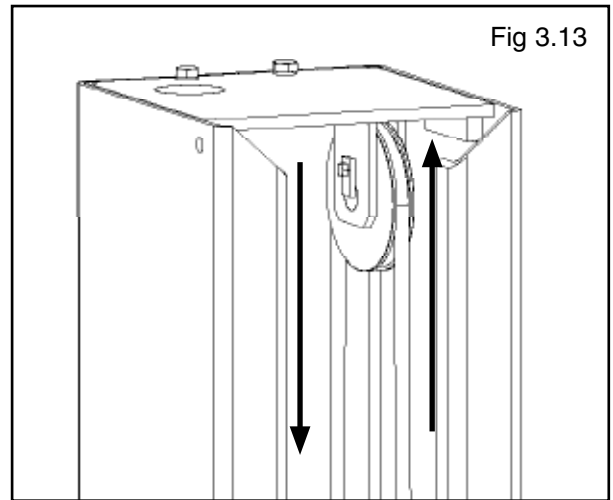


9. Ensure the hydraulic cylinder is properly seated in cylinder ring and that the cylinder leveling plug is installed properly. (See Fig 3.12) Failure to properly align lift head chain and/or cylinder will result in lift malfunction.

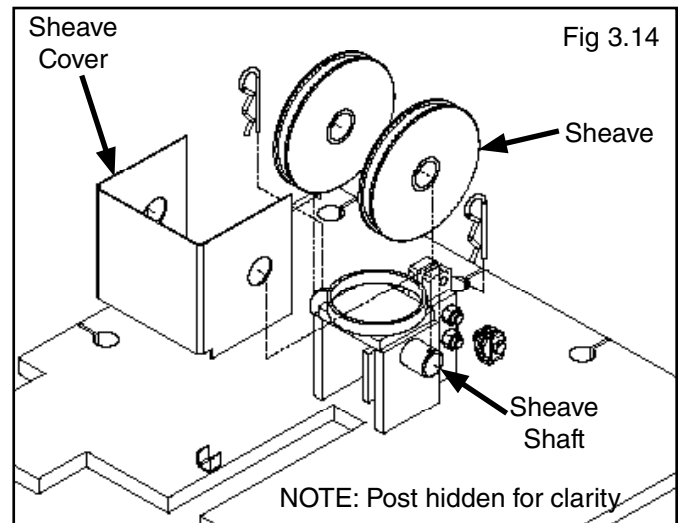


**NOTE:**  
ENSURE CYLINDER LEVELING PLUG IS ALSO INSTALLED PROPERLY WHEN CHECKING ALIGNMENT OF CYLINDER AND CYLINDER RING

9. Uncoil cable and route cable around the Top Plate sheave and coil the remaining cable up and leave it in the post above the lift head. (See Fig 3.13)



**OPTIONAL SHEAVE COVER  
INSTALLATION INSTRUCTIONS**




To install optional sheave covers, first fit sheaves over sheave shafts. Then fit sheave cover over both sheave shaft ends. Ensure the notched face of the sheave cover faces the base plate. Secure sheave cover by inserting cotter pins through the cotter pin holes in the sheave shaft.

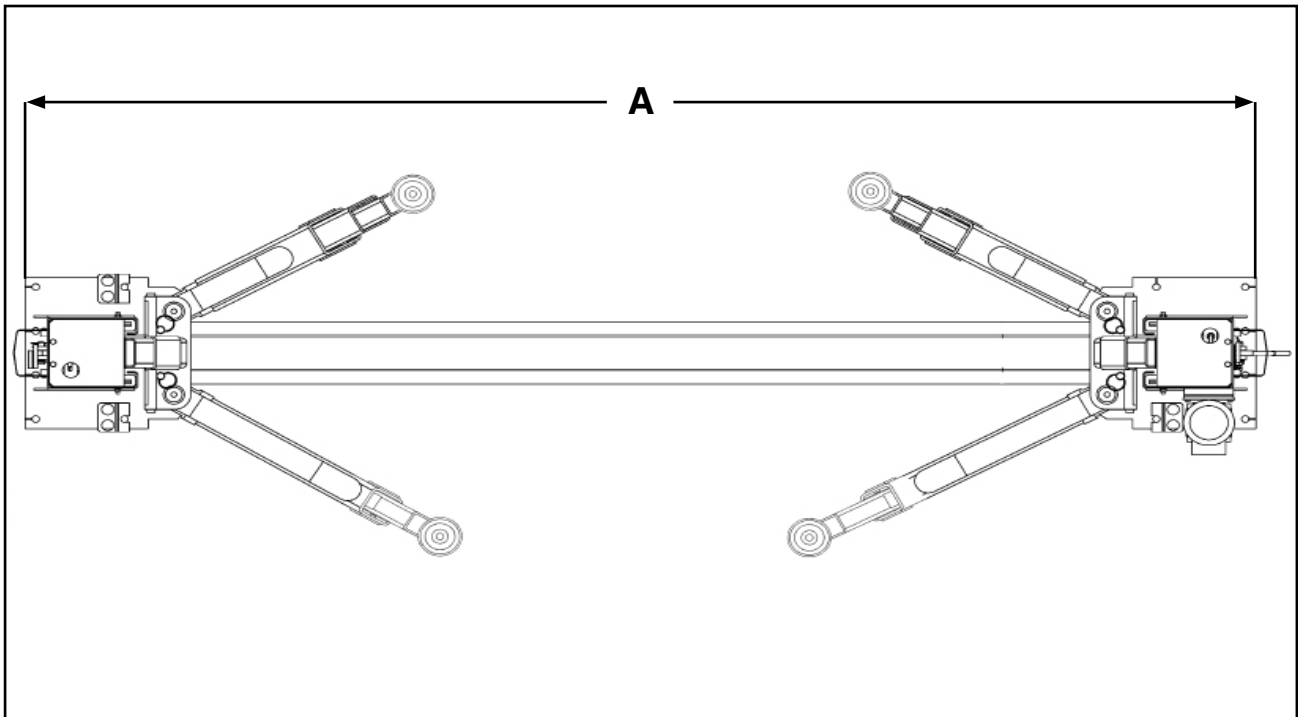
FOR TECHNICAL SUPPORT:  
1-800-253-2363 EXT. 196

TO ORDER PARTS:  
1-800-253-2363 EXT. 191

BENDPAK/RANGER: 1-805-933-9970



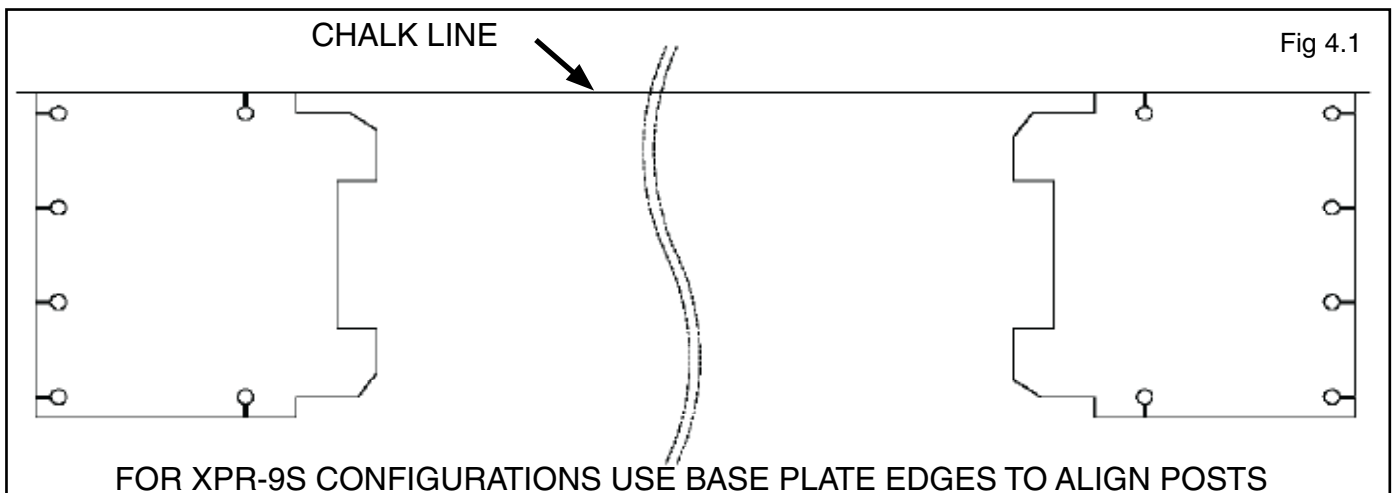
## SITE LAYOUT / FLOOR PLAN



Model	Configuration	A	Capacity
XPR-9S	Narrow	3353 mm / 132"	9,000 LBS/4082 KG
XPR-9S	Wide	3683 mm / 145"	9,000 LBS/4082 KG

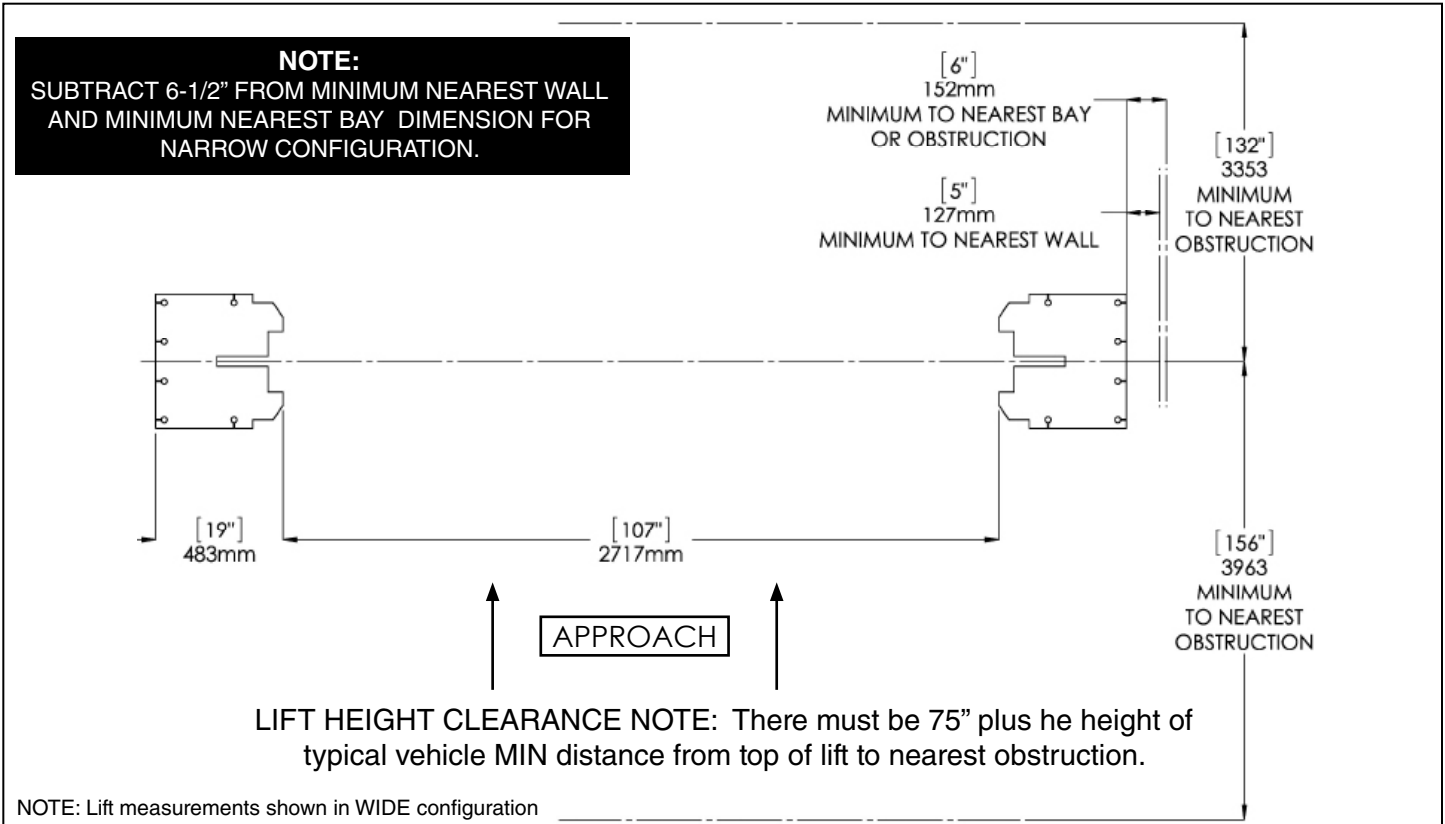
### STEP 4 (Site Layout)

1. Determine which side of the lift will be the approach side.
2. Now determine where the power unit will be located. The POWER SIDE column has the power unit mounting bracket attached to the side.
3. Use the chart on this page to determine which lift width layout you would like to use.
4. Once a location is determined, use a carpenter's chalk line to layout a grid for the post locations. Keep all dimensions square within 1/8" (3mm) or malfunctioning of the lift can occur.
5. After the post locations are properly marked, use chalk or crayon to make an outline of the posts on the floor at each post location using the post base plates as a template. (See Fig 4.1)
6. **CHECK ALL DIMENSIONS TWICE** and make sure that the layout is perfectly square.



# CLEARANCES

## XPR-9S



### STEP 5 (Installing the POWER SIDE post)

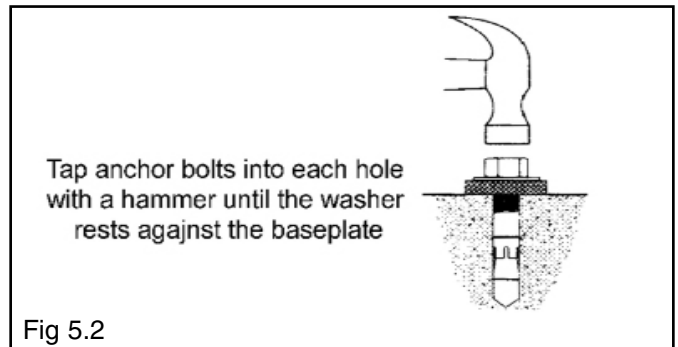
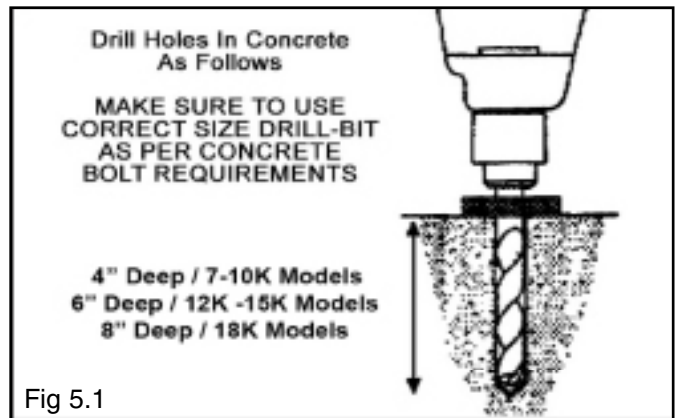
1. Before proceeding, double the check measurements and make certain that the base plate of each post is aligned with the chalk line.

**NOTE:**  
BENDPAK LIFTS ARE SUPPLIED WITH INSTALLATION INSTRUCTIONS AND CONCRETE FASTENERS MEETING THE CRITERIA AS PRESCRIBED BY THE AMERICAN NATIONAL STANDARD "AUTOMOTIVE LIFTS - SAFETY REQUIREMENTS FOR CONSTRUCTION, TESTING, AND VALIDATION" ANSI/ALI ALCTV-2011. LIFT BUYERS ARE RESPONSIBLE FOR ANY SPECIAL REGIONAL STRUCTURAL AND/OR SEISMIC ANCHORING REQUIREMENTS SPECIFIED BY ANY OTHER AGENCIES AND/OR CODES SUCH AS THE UNIFORM BUILDING CODE (UBC) AND/OR INTERNATIONAL BUILDING CODE (IBC).

2. Using the base plate on the POWER SIDE post as a guide, drill each anchor hole in the concrete approximately 4" deep using a rotary hammer drill and 3/4" concrete drill-bit. To ensure full holding power, do not ream the hole or allow the drill to wobble. (See Fig. 5.1)

3. After drilling, remove dust thoroughly from each hole making certain that the posts remain aligned with the chalk line.

4. Assemble the washers and nuts on the anchors then tap into each hole with a hammer until the washer rests against the base plate. If shimming is required be sure that enough threads are left exposed. (See Fig. 5.2)



5. If shimming is required, insert the shims as necessary under the base plate so that when the anchor bolts are tightened, the posts will be plumb. (See Fig. 5.3)

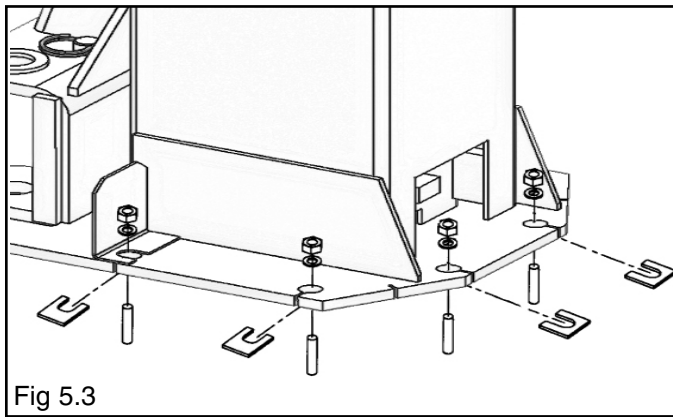


Fig 5.3

6. With the foot guards, shims and anchor bolts in place, tighten by securing the nut to the base then turning 3-5 full turns clockwise (90 ft-lbs.). **DO NOT** use an impact wrench for this procedure. (See Fig. 5.4)

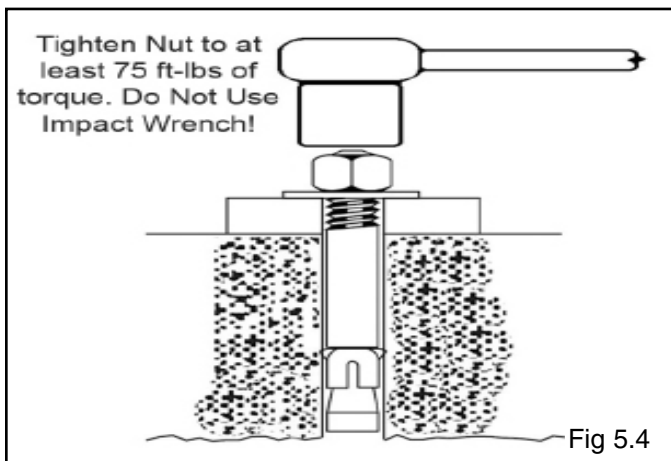


Fig 5.4

### STEP 6 (Installing the OFF SIDE post)

1. Position the OFF SIDE post at the designated chalk locations and secure post to floor following the same procedures as outlined in STEP 5; Paragraphs 1-6.

### STEP 7 (Mounting the Hydraulic Power Unit)

1. Attach the power unit to the POWER SIDE post. Install the vibration dampener between the power unit and the power unit mounting plate on the Power Side post, using four M8 hex head bolts and nuts supplied. (See Fig 7.1)

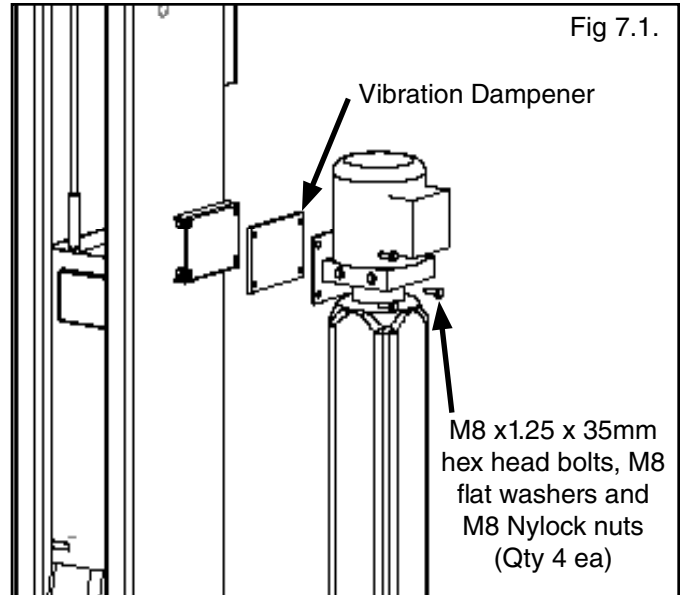


Fig 7.1.

2. **Fill the reservoir with 10 WT. HYDRAULIC OIL OR DEXRON ATF**, approximately four gallons. Make sure the funnel used to fill the Power Unit is clean.

Do not connect power unit hydraulic hose assembly at this time.



ALL WIRING MUST BE PERFORMED  
BY A LICENSED ELECTRICIAN.



**DO NOT PERFORM ANY MAINTENANCE OR INSTALLATION OF ANY COMPONENTS WITHOUT FIRST ENSURING THAT ELECTRICAL POWER HAS BEEN DISCONNECTED AT THE SOURCE OR PANEL AND CANNOT BE RE-ENERGIZED UNTIL ALL MAINTENANCE AND/OR INSTALLATION PROCEDURES ARE COMPLETED.**

3. The standard power unit for your lift is 220 volt, 60HZ, single phase. All wiring must be performed by a certified electrician only. SEE WIRING INSTRUCTIONS AFFIXED TO MOTOR FOR PROPER WIRING INSTRUCTIONS.

# ⚠ WARNING

DO NOT RUN POWER UNIT WITHOUT OIL. DAMAGE TO POWER UNIT PUMP CAN OCCUR.  
 THE POWER UNIT MUST BE KEPT DRY. DAMAGE TO POWER UNIT CAUSED BY WATER OR OTHER LIQUIDS SUCH AS DETERGENTS, ACID ETC., IS NOT COVERED UNDER WARRANTY.  
 OPERATE LIFT ONLY BETWEEN TEMPERATURES OF 41 °- 104° F.

IMPROPER ELECTRICAL HOOK-UP CAN DAMAGE MOTOR AND WILL NOT BE COVERED UNDER WARRANTY.  
 MOTOR CAN NOT RUN ON 50HZ WITHOUT A PHYSICAL CHANGE IN THE MOTOR.

USE A SEPARATE CIRCUIT BREAKER FOR EACH POWER UNIT.  
 PROTECT EACH CIRCUIT WITH TIME DELAY FUSE OR CIRCUIT BREAKER.

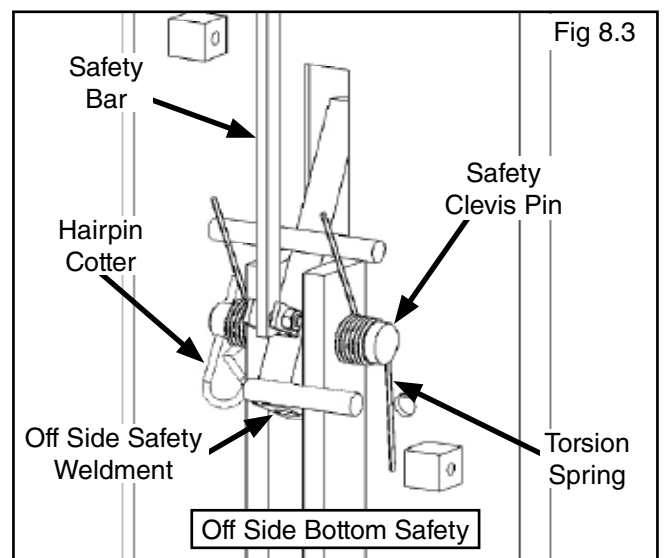
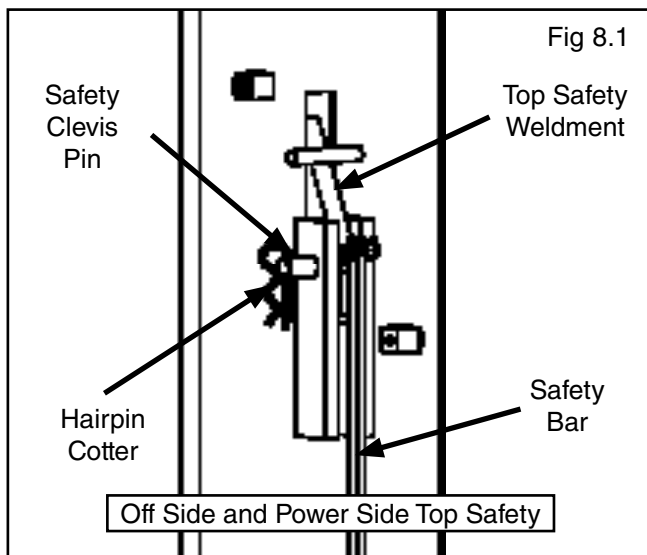
FOR 208-230 VOLT, SINGLE PHASE, USE A 25 AMP FUSE.

FOR 208-230 VOLT, THREE PHASE, USE A 20 AMP FUSE.

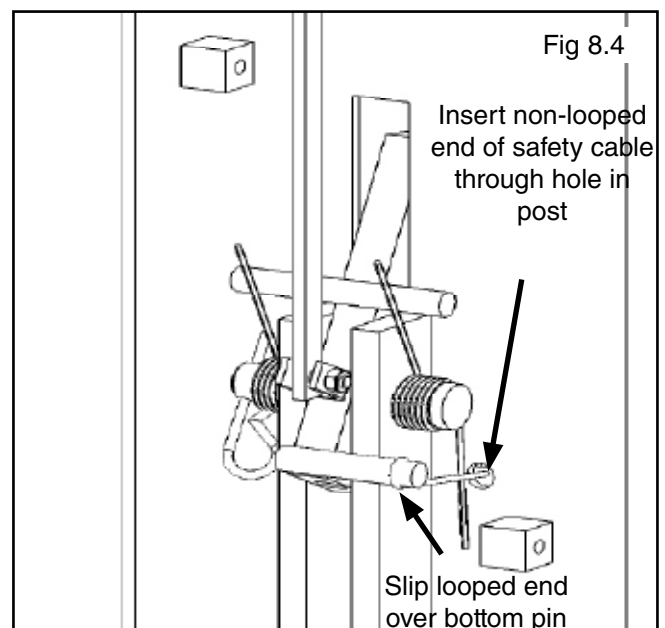
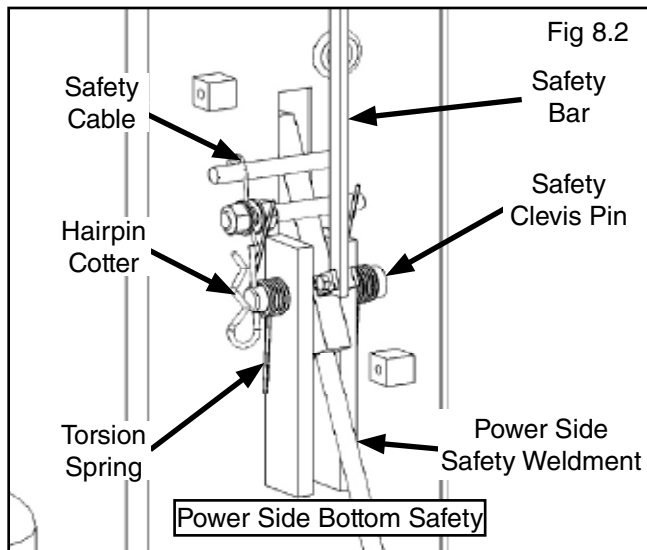
FOR 380-440 VOLT, THREE PHASE, USE A 15 AMP FUSE.

## STEP 8 (Installing the Safeties and Safety Cable)

1. Install safety weldments on to each respective post.  
 (See Fig 8.1 - 8.3)



2. From the Off Side post insert the non-looped end of the safety cable through the hole located to the right of the Off Side safety weldment. (See Fig 8.4)

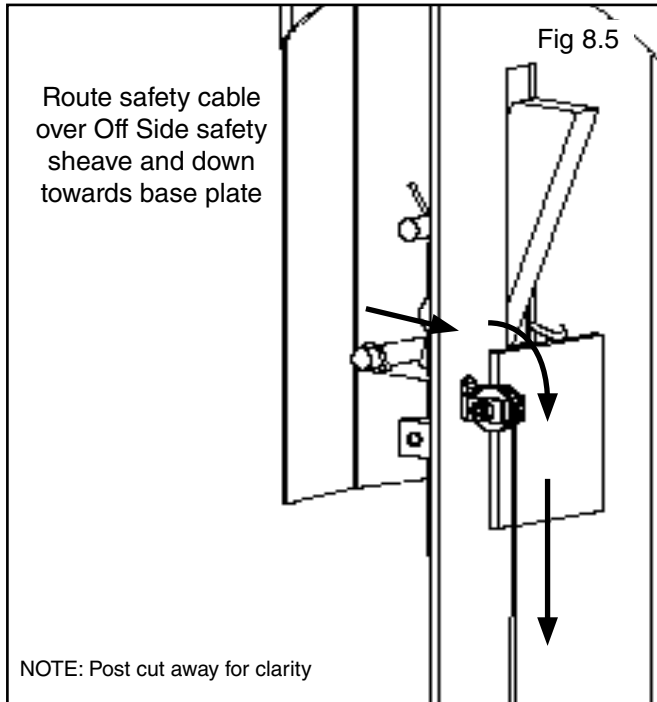




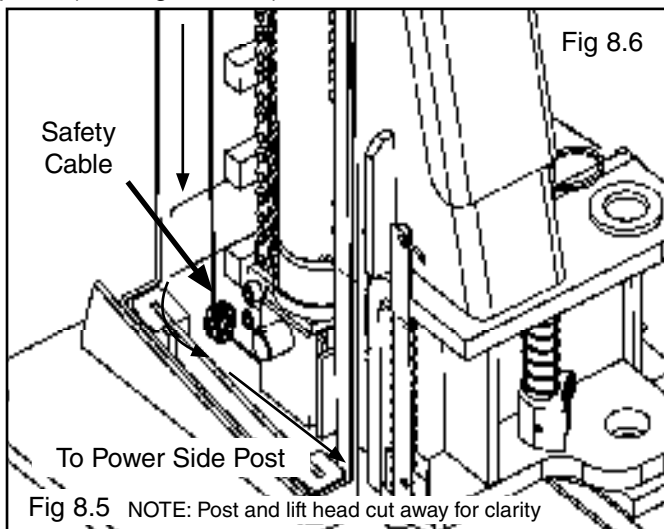
3. Route the cable over the sheave and route it towards the baseplate safety sheave. (See Fig 8.5)



**ENSURE THAT BOTH THE POWER SIDE & OFF SIDE SAFETIES ENGAGE PROPERLY PRIOR TO LIFT OPERATION.**

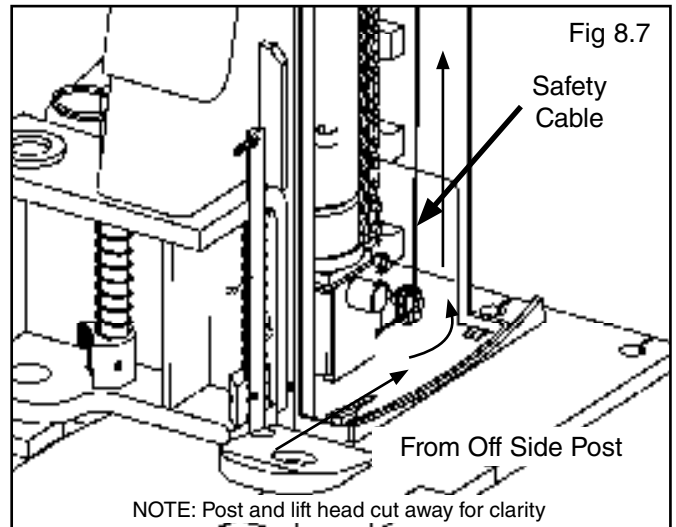


4. Route the cable through the baseplate's safety sheave(s) and across the floor towards the Power Side post. (See Fig 8.6 - 8.7)



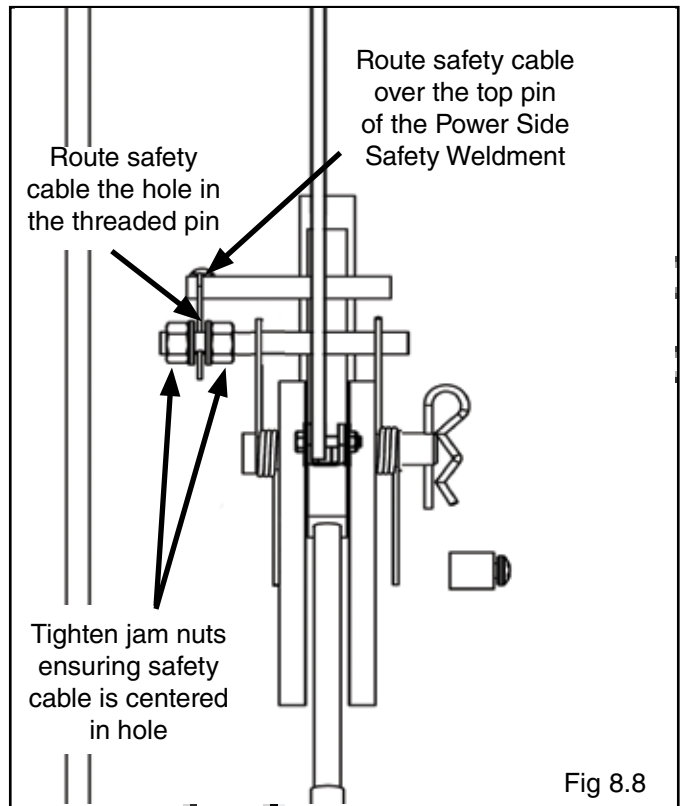
5. Route the cable the same way as on the Off Side going up the post and over the safety cable sheave.

6. Route the cable over the top pin on the safety handle. Insert the cable end through the hole on the threaded pin. (See Fig 8.7)



7. Pull the slack out the safety cable and keep tension on the cable as nuts are being tightened. Tighten jam nuts on either side of the cable keeping the cable centered to the hole to secure it into place. (See Fig 8.8)

**NOTE:**  
**MAKE SURE TO KEEP THE SAFETY CABLE CENTERED WHEN TIGHTENING JAM NUTS ON SAFETY.**

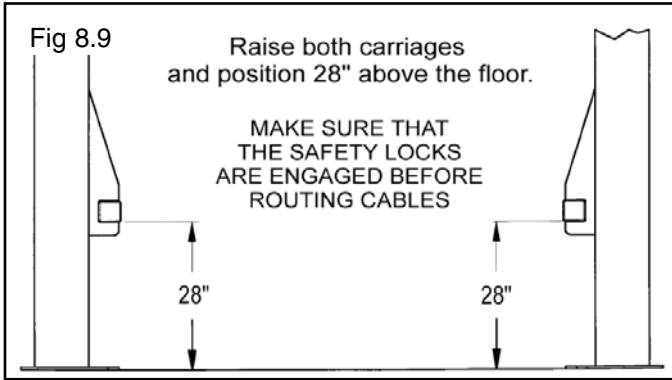


8. Operate the Power Side safety handle, check for proper operation of both safety assemblies and adjust cable tension as required.

9. Raise and lock each lift head approximately 28" above the ground. (See Fig. 8.9)

**! DANGER**

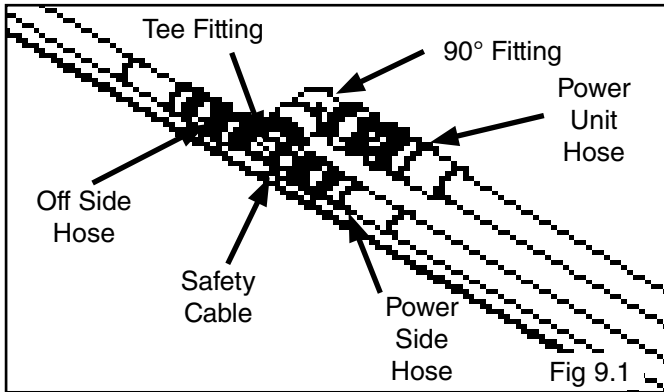
**ENSURE THAT BOTH THE POWER SIDE & OFF SIDE SAFETIES ENGAGE PROPERLY PRIOR TO LIFT OPERATION.**



**STEP 9  
(Installing Hydraulic Lines)**

**NOTE:**  
FOR THE WIDE CONFIGURATION, A 13" EXTENSION MUST BE INSTALLED TO THE CROSSOVER HOSE. A JIC TO JIC STRAIGHT FITTING HAS BEEN PROVIDED TO CONNECT THE CROSSOVER HOSE TO THE EXTENSION HOSE IN THE PARTS BOX.

1. Connect the two cylinder hydraulic hoses in line to the tee fitting. Connect the 90° fitting to the tee fitting. Connect the power unit hose to the 90° fitting. Hoses may have to be stretched or pulled in order to reach the tee union referenced on (Fig 9.1)



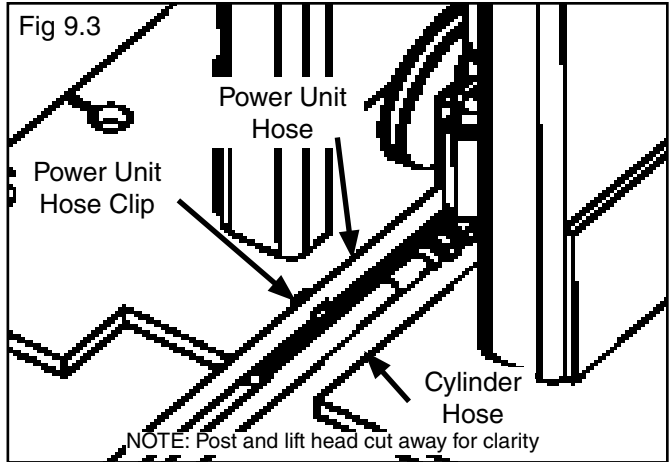
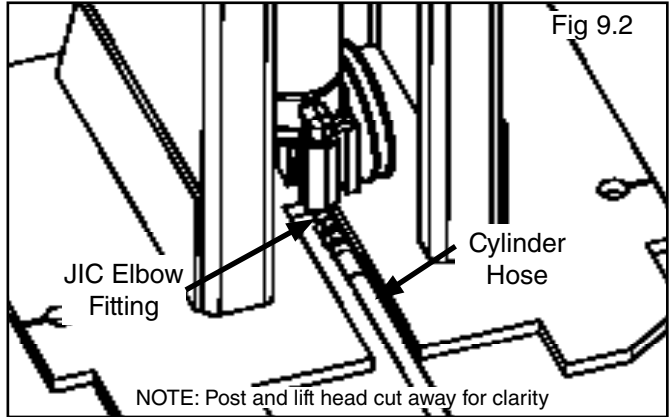
2. Connect the cylinder hoses to the JIC elbow fittings on the cylinders. DO NOT use teflon tape on the JIC fitting end. (See Fig 9.2)

3. Route the power unit hose under the cylinder seat and the equalizer sheave pin. Route the hose through the hose clip. Failure to do so may cause damage or injury. (See Fig 9.3)

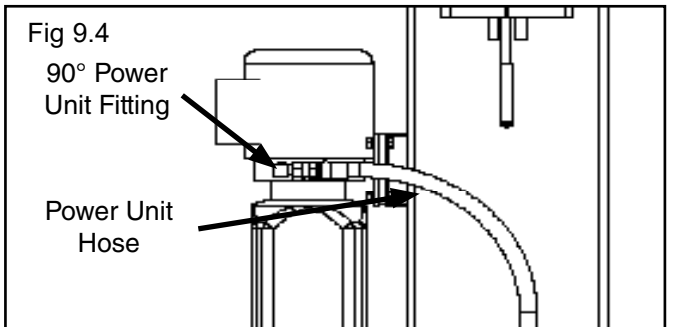
4. Remove the plastic plug from the power unit power port. Install the 90° power unit fitting with O-ring using teflon tape. (Connect the power unit hose assembly to the 90° hydraulic fitting on the power unit. DO NOT use teflon tape on the JIC hose fittings. (See Fig 9.4)

**! WARNING**

**WHEN ROUTING HYDRAULIC HOSES THROUGH THE POSTS, ROUTE HOSES THROUGH THE HOSE CLIPS WELDED ON EACH POST. MAKE SURE THAT THE HOSE IS CLEAR OF ANY MOVING PARTS. IT MAY BE NECESSARY TO TIE THE HOSES CLEAR BY USING NYLON TIE STRAPS OR WIRE. FAILURE TO KEEP THE HYDRAULIC HOSES CLEAR MAY RESULT IN THE HYDRAULIC HOSES TO FAIL, WHICH MAY RESULT IN DAMAGE OR PERSONAL HARM.**

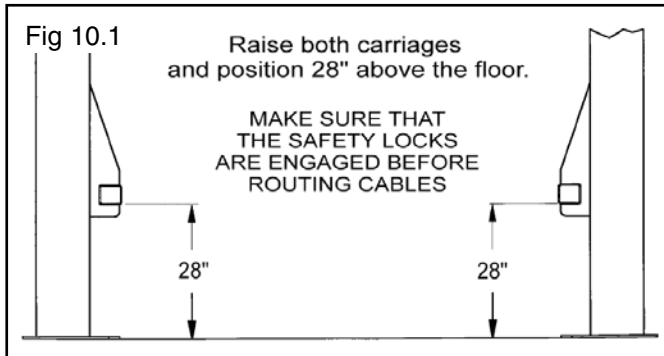


**NOTE:**  
POWER PORT LOCATION IN HYDRAULIC POWER UNIT MAY VARY. CONFIRM THE LOCATION OF THE POWER PORT ENCLOSED IN THE POWER UNIT DOCUMENTATION.



## STEP 10 (Routing the Equalizer Cables)

1. Raise and lock each lift head approximately 28" above the ground. (See Fig. 10.1)



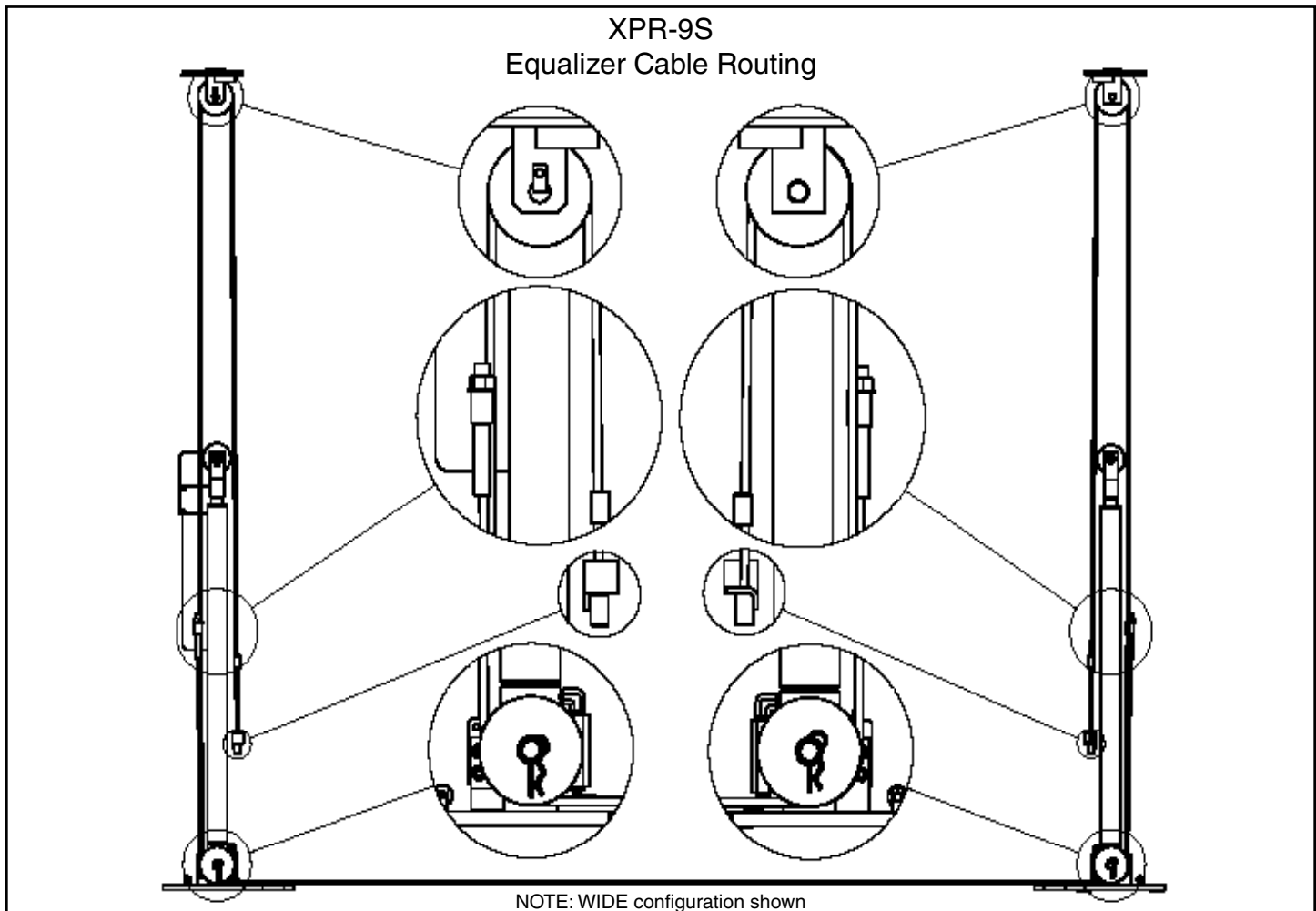
MAKE SURE THAT THE SAFETY LOCKS ON EACH POST ARE FULLY ENGAGED BEFORE ATTEMPTING TO ROUTE EQUALIZER CABLES AND/OR HOSES. CARRIAGES MUST BE EQUAL HEIGHT FROM THE FLOOR BEFORE PROCEEDING.



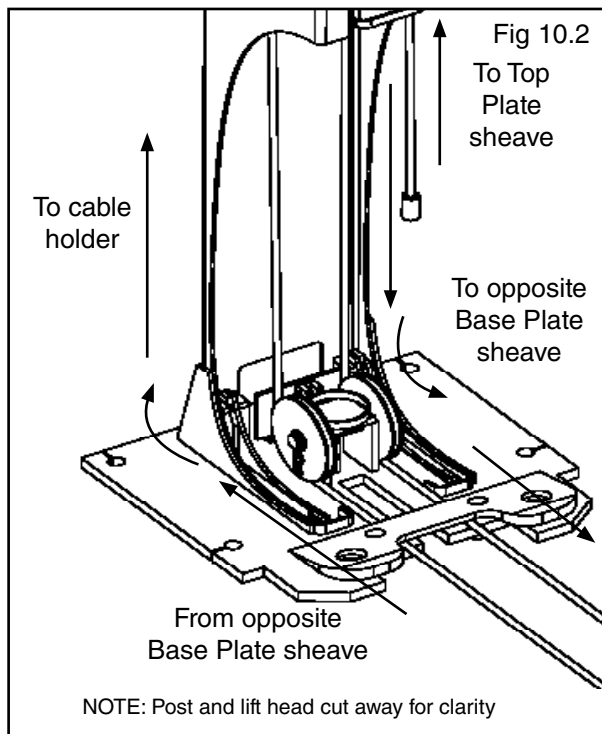
WHEN THE CABLE ADJUSTING NUTS BOTTOM OUT ON THE THREADED END OF THE CABLE CONNECTOR AND THERE IS STILL SLACK IN THE CABLES, THE CABLES HAVE STRETCHED BEYOND THE SAFE USEFUL LENGTH AND NEED TO BE REPLACED WITH FACTORY APPROVED CABLE ASSEMBLIES. DO NOT PLACE WASHERS, SPACERS OR OTHER DEVICES TO "SHORTEN" THE EFFECTIVE CABLE LENGTH AS DAMAGE TO THE LIFT OR INJURY TO PERSONS MAY OCCUR.



THE EQUALIZER CABLE SHEAVES WILL NEED TO BE REMOVED TO EASE THE ROUTING OF THE EQUALIZER CABLES. BE SURE TO REINSTALL ALL PINS, COVERS AND CLIPS OR SERIOUS DAMAGE OR INJURY MAY OCCUR.

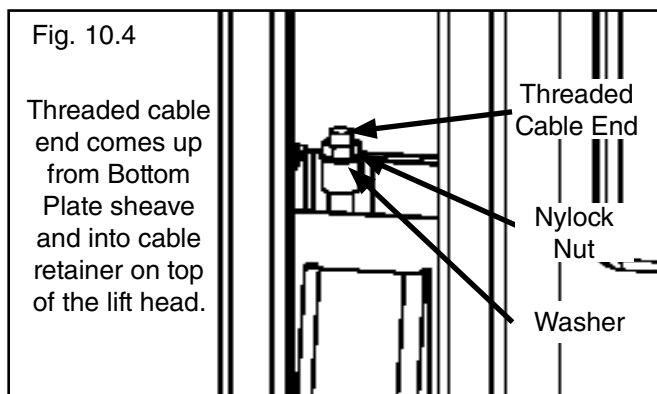


2. With the lift heads locked at 28" off the floor, uncoil the equalizer cables and route the threaded end of the equalizer cables towards the Base Plate sheave. Wrap the cable around the base plate sheave and reinstall sheave. (See Fig. 10.2)



3. Route the threaded cable end to the opposite post's base plate sheave. Wrap the cable around the opposite post's Base Plate sheave and reinstall sheave. (See Fig. 10.2)

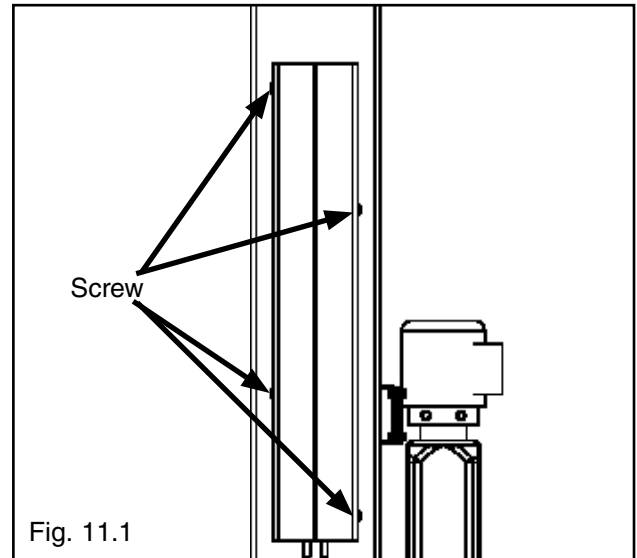
4. Route threaded end upwards from Base Plate sheave and insert the threaded end of the cable through the cable holder on top of the lift head. Place M18 washer and M18 Nylock nut on threaded cable end. Tighten cable nuts until cable is taut. Check that both cables have equal tension. (See Fig 10.4)



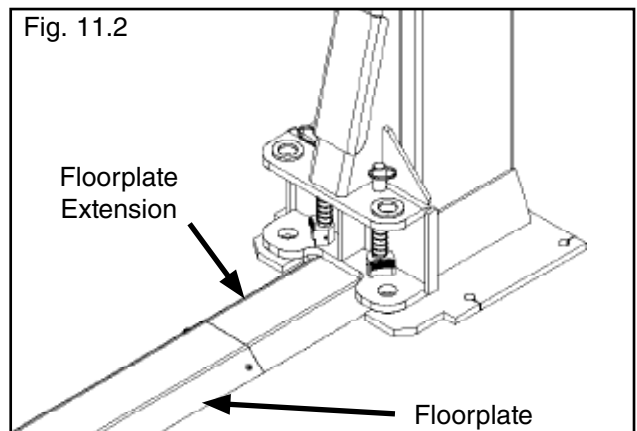
**NOTE:**  
THERE WILL BE INITIAL STRETCHING OF THE CABLES AND/OR WITH INCREASED LOADS. ADJUST THE CABLES AS OUTLINED ABOVE A WEEK AFTER FIRST USE, THEN EVERY THREE TO SIX MONTHS THEREAFTER DEPENDING ON USAGE AND/OR TO COMPENSATE FOR STRETCH.

## STEP 11 (Installing power unit hose assembly and Power Side safety cover)

1. After safeties have been adjusted and checked for proper operation, install and tighten Power Side safety cover and Off Side safety cover mounting screws. (See Fig. 11.1)



2. Install the floor plate between the columns as shown. For Wide configuration use the floor plate extension. (See Fig. 11.2)



## STEP 12 (Installing the Lift Arms)

1. Place the appropriate lift arm assembly in the lift heads. (See Fig. 12.5)
2. Install the lift head pins into the lift head and through the holes in the arm assembly. (See Fig. 12.1)
3. Install the snap ring into the groove in the lift head pin on under side of the lift head. (See Fig. 12.2)

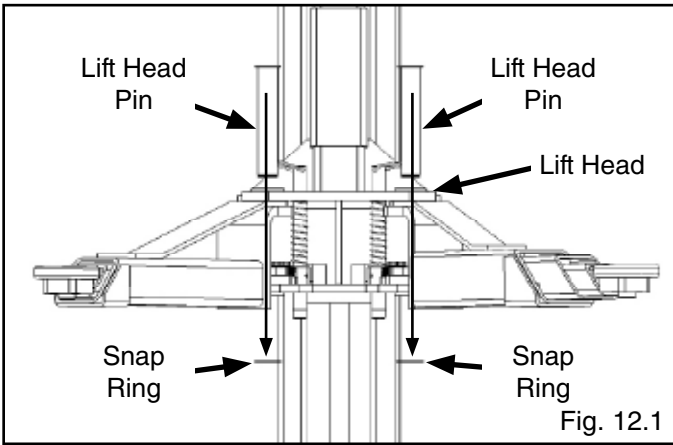


Fig. 12.1

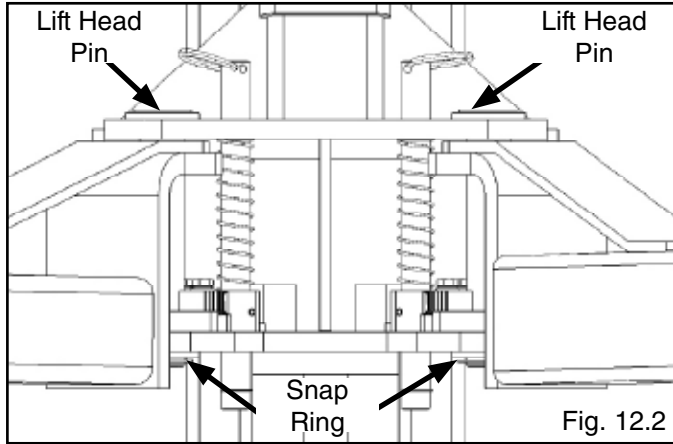


Fig. 12.2



**THE ARM RESTRAINT GEARS MUST BE POSITIONED AND ADJUSTED PROPERLY. CONFIRMATION OF PROPER GEAR ENGAGEMENT MUST BE MADE PRIOR TO THE OPERATION OF THE LIFT. PERIODIC INSPECTION AND ADJUSTMENT IS REQUIRED. FAILURE TO INSPECT AND ADJUST THE ARM RESTRAINT GEARS ON ALL FOUR ARMS PROPERLY CAN RESULT IN DAMAGE TO THE VEHICLE OR INJURY AND/OR DEATH.**

**NOTE:  
LEFT AND RIGHT ARE DETERMINED WHEN FACING THE INSIDE. OPEN SIDE OF THE LIFT POST.**

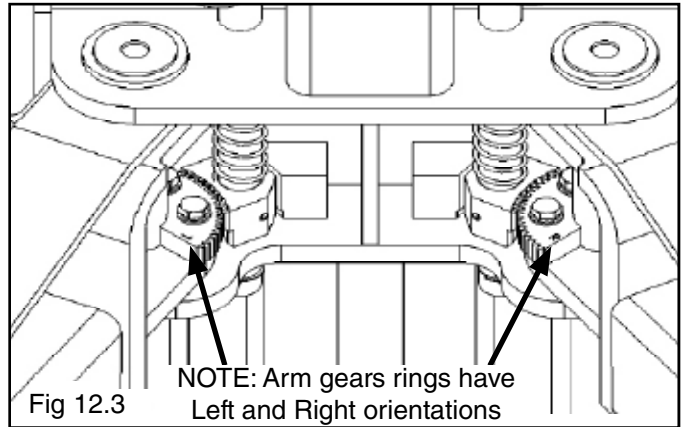


Fig 12.3

4. Each arm restraint gear can be oriented in a Left or Right configuration on the arms. Each arm and arm restraint gear must be positioned in the proper location in the lift head. (See Fig. 12.4 & 12.5)

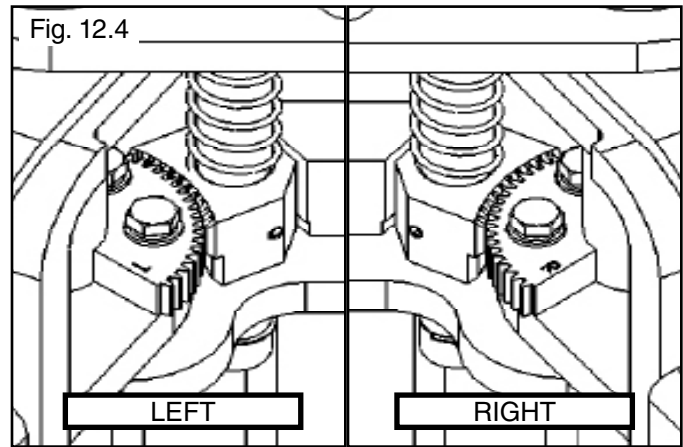


Fig. 12.4

5. Place each Gear Ring against the Lift Head Pin and align the holes in the Gear Ring with the threaded holes in the Arm Ears. Ensure that the teeth on the Gear Ring mesh smoothly with the teeth on the gears of the Lift Head. (See Fig. 12.6)

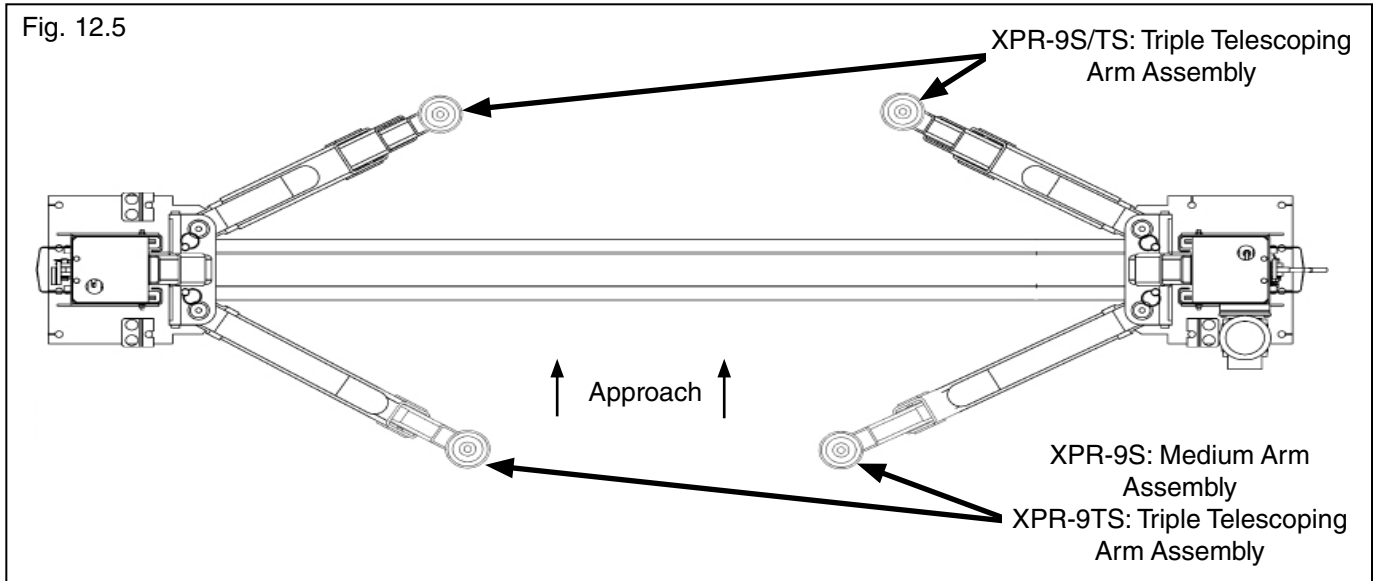
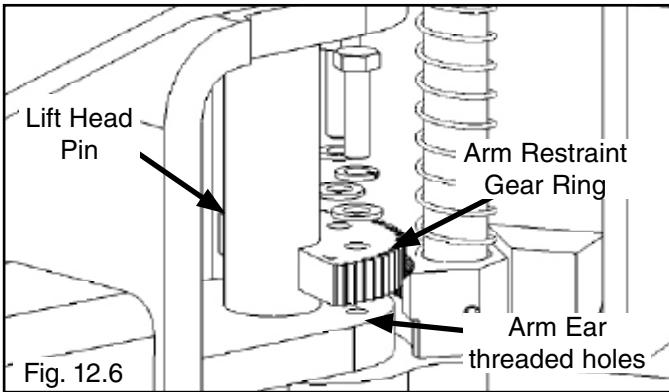


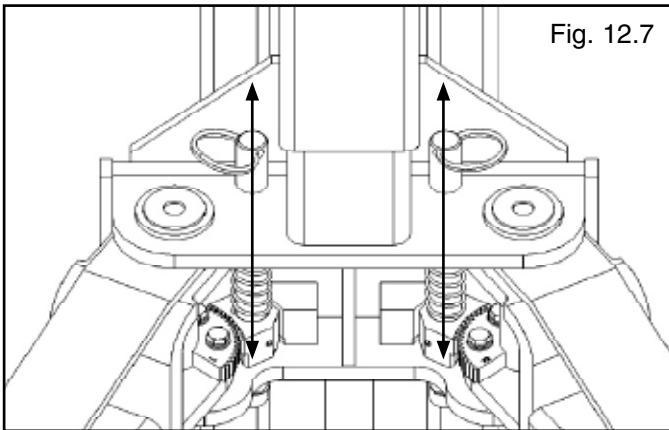
Fig. 12.5



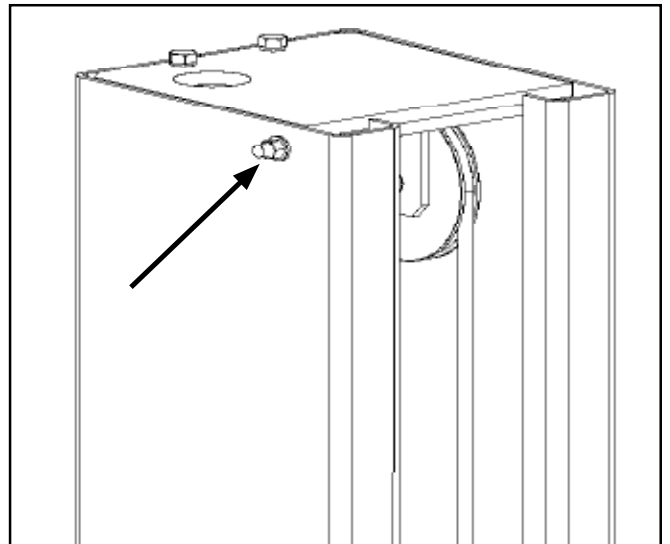
**⚠ WARNING**

**YOU MUST INSTALL POST TIE ROD (AS SHOWN) TIGHTEN POST TIE ROD TO 2-3 FT.-LB. OF TORQUE UPON FINAL INSTALLATION INSPECTION. THESE INSTRUCTIONS MUST BE FOLLOWED TO ENSURE PROPER INSTALLATION AND OPERATION OF YOUR LIFT. FAILURE TO COMPLY WITH THESE INSTRUCTIONS CAN RESULT IN SERIOUS BODILY INJURY AND/OR DEATH AND/OR VOID PRODUCT WARRANTY. MANUFACTURER WILL ASSUME NO LIABILITY FOR LOSS OR DAMAGE OF ANY KIND, EXPRESSED OR IMPLIED RESULTING FROM IMPROPER INSTALLATION OR USE OF THIS PRODUCT.**

6. Verify the operation of the arm restraints by pulling up on the key ring of the arm restraint pin. Pivot the arms back and forth and test the operation of the arm restraint pin in various positions. (See Fig. 12.7)

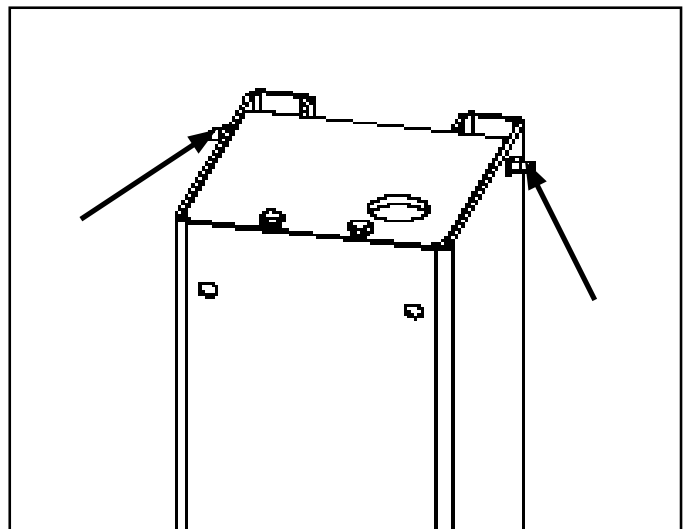


7. Ensure that the arms do not move when a force of approximately 100 pounds or less is applied laterally to the fully extended arms.



**⚠ DANGER**

**NOTE:**  
 EACH ARM RESTRAINT ASSEMBLY MUST BE INSPECTED BEFORE EACH AND EVERY TIME THE LIFT IS OPERATED.  
 DO NOT OPERATE THE LIFT IF ANY OF THE FOUR ARM RESTRAINT SYSTEMS ARE NOT FUNCTIONING PROPERLY.  
 REPLACE ANY BROKEN COMPONENTS OR COMPONENTS WITH BROKEN TEETH ONLY WITH AUTHORIZED OR APPROVED REPLACEMENT PARTS.



**POST TIE ROD  
 INSTALLATION WARNING**

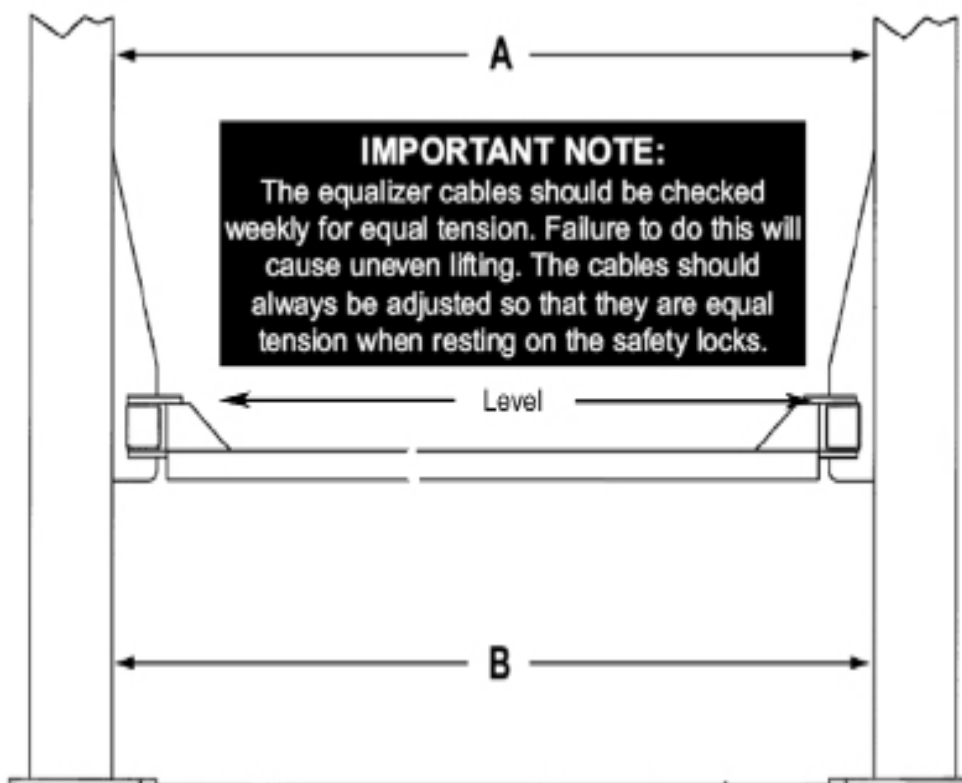
# **WARNING**

## **IMPORTANT LEVELING INSTRUCTIONS**

**Before operating your lift, check to make sure that both "A" and "B" measurements are EQUAL.**

**The lift arms must be level before operation.**

**If your lift arms are not level, shim the columns as required.**



# POWER-UNIT CONNECTION



DO NOT PERFORM ANY MAINTENANCE OR INSTALLATION OF ANY COMPONENTS WITHOUT FIRST ENSURING THAT ELECTRICAL POWER HAS BEEN DISCONNECTED AT THE SOURCE OR PANEL AND CANNOT BE RE-ENERGIZED UNTIL ALL MAINTENANCE AND/OR INSTALLATION PROCEDURES ARE COMPLETED.



## IMPORTANT POWER-UNIT INSTALLATION NOTES

- DO NOT run power unit without oil. Damage to pump can occur.
- The power unit must be kept dry. Damage to power unit caused by water or other liquids such as detergents, acid etc., is not covered under warranty.
- Improper electrical connection can damage motor and will not be covered under warranty.
- Motor can not run on 50HZ without a physical change in the motor.
- Use a separate breaker for each power unit.
- Protect each circuit with time delay fuse or circuit breaker.
- For 208-230 volt, single phase, use a 25 amp fuse.
- For 208-230 volt, three phase, use a 20 amp fuse.
- For 380-440 volt, three phase, use a 15 amp fuse.

### Installation and Adjustment

DO NOT attempt to raise vehicle until a thorough operation check has been completed.

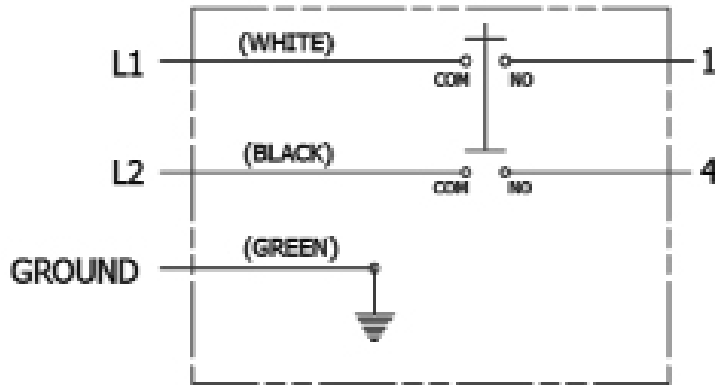
**ALL WIRING MUST COMPLY WITH NEC AND ALL LOCAL ELECTRICAL CODES.**



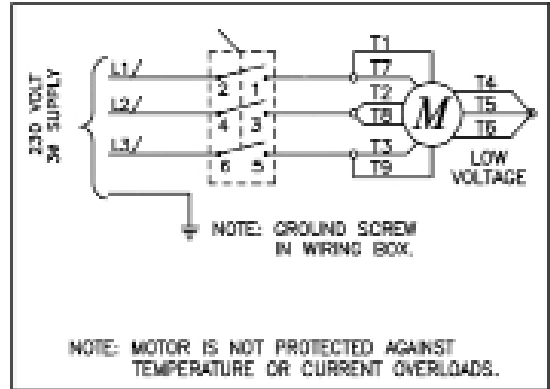
# POWER-UNIT CONNECTION

**ALL WIRING MUST BE PERFORMED BY A CERTIFIED ELECTRICIAN ONLY.**

## Single Phase



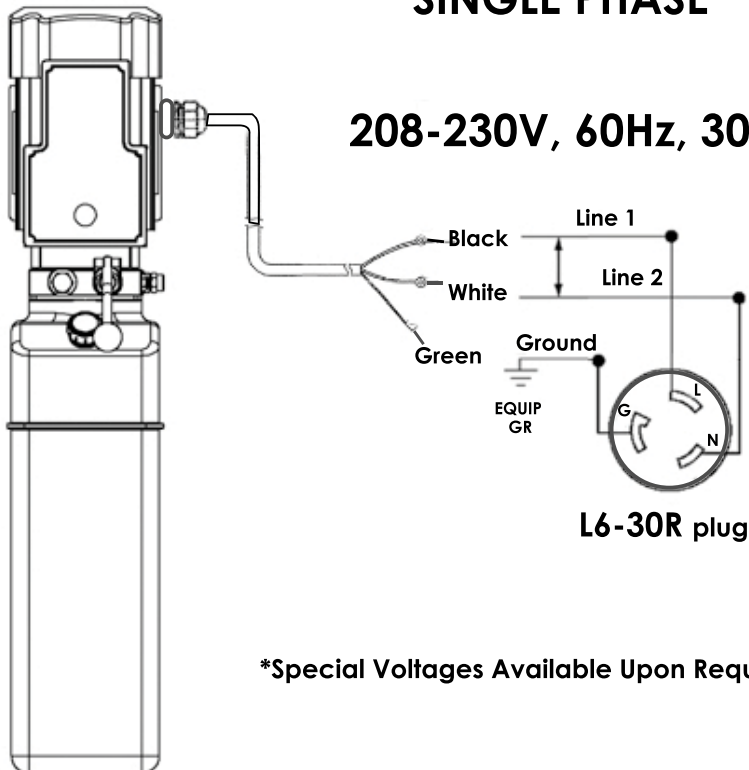
## Three Phase



**SEE WIRING INSTRUCTIONS AFFIXED TO MOTOR FOR PROPER WIRING INSTRUCTIONS.**

## SINGLE PHASE

**208-230V, 60Hz, 30 Amps**



**\*Special Voltages Available Upon Request.**

## STEP 13 (Power Unit Connection)

1. Have a certified electrician run the power supply to motor. Refer to the data plate found on the motor for proper power supply and wire size.

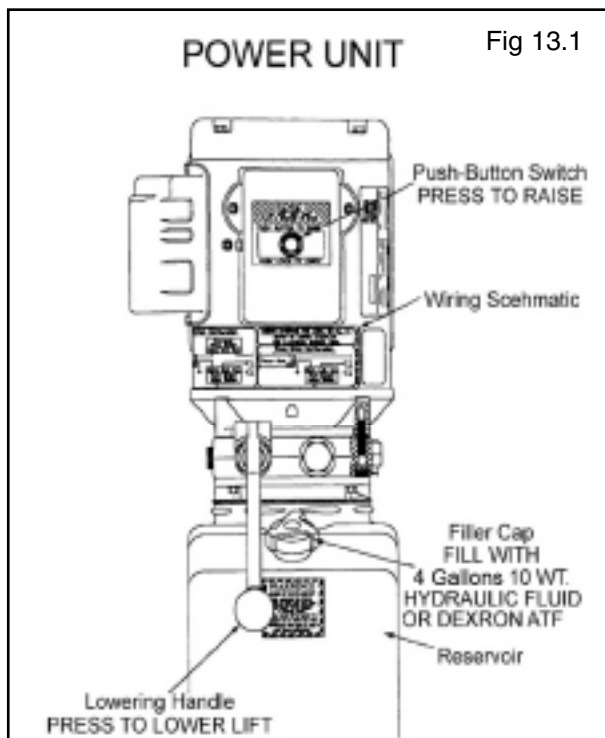


### RISK OF EXPLOSION!

This equipment has internal arcing or parts that may spark and should not be exposed to flammable vapors. Motor should not be located in a recessed area or below floor level. NEVER expose motor to rain or other damp environments. **DAMAGE TO MOTOR CAUSED BY WATER IS NOT COVERED UNDER WARRANTY.**

#### NOTE:

CAUTION NEVER OPERATE THE MOTOR ON LINE VOLTAGE LESS THAN 208V. MOTOR DAMAGE MAY OCCUR WHICH IS NOT COVERED UNDER WARRANTY. HAVE A CERTIFIED ELECTRICIAN RUN APPROPRIATE POWER SUPPLY TO MOTOR. SIZE WIRE FOR 25 AMP CIRCUIT. SEE MOTOR OPERATING DATA TABLE. USE SEPARATE CIRCUIT FOR EACH POWER UNIT. PROTECT EACH CIRCUIT WITH TIME DELAY FUSE OR CIRCUIT BREAKER. FOR SINGLE PHASE 208-230V, USE 25 AMP FUSE. THREE PHASE 208-240V, USE 25 AMP FUSE. FOR THREE PHASE 400V AND ABOVE, USE 15 AMP FUSE.



## STEP 14 (Lift Start Up / Final Adjustments)



DURING THE START-UP PROCEDURE, OBSERVE ALL OPERATING COMPONENTS AND CHECK FOR PROPER INSTALLATION AND ADJUSTMENT. DO NOT ATTEMPT TO RAISE VEHICLE UNTIL A THOROUGH OPERATIONAL CHECK HAS BEEN COMPLETED.

1. Make sure the power unit reservoir is full with four (4) gallons of 10-WT hydraulic oil or Dexron automatic transmission fluid.
2. Apply light axle grease to the inside of the posts where the slide blocks glide,
3. Test the power unit by pressing the push-button switch. If the motor sounds like it is operating properly, raise the lift and check all hose connections for leaks. If the motor gets hot or sounds peculiar, stop and check all electrical connections.
4. Before proceeding, double-check to make sure all cables are properly positioned within the grooves of ALL sheaves. Make sure all cable sheave retaining pins and/or clips are secure.
5. Check to make sure that all safety locks are cleared and free.
6. Continue to press the button to raise lift until the cables get taut and the lift starts to move.
7. **KEEP HANDS AND FEET CLEAR.** Remove hands and feet from any moving parts. Keep feet clear of lift when lowering. Avoid pinch points.
8. Check all MAIN SAFETY LOCKS to make sure they move freely and spring back to the lock position when released. Lubricate all SAFETY PIVOT points with light spray-oil.
9. Cycle the lift up and down a few times to ensure that the safety locks are engaging uniformly and that the safety release mechanisms are functioning. Readjust if necessary.

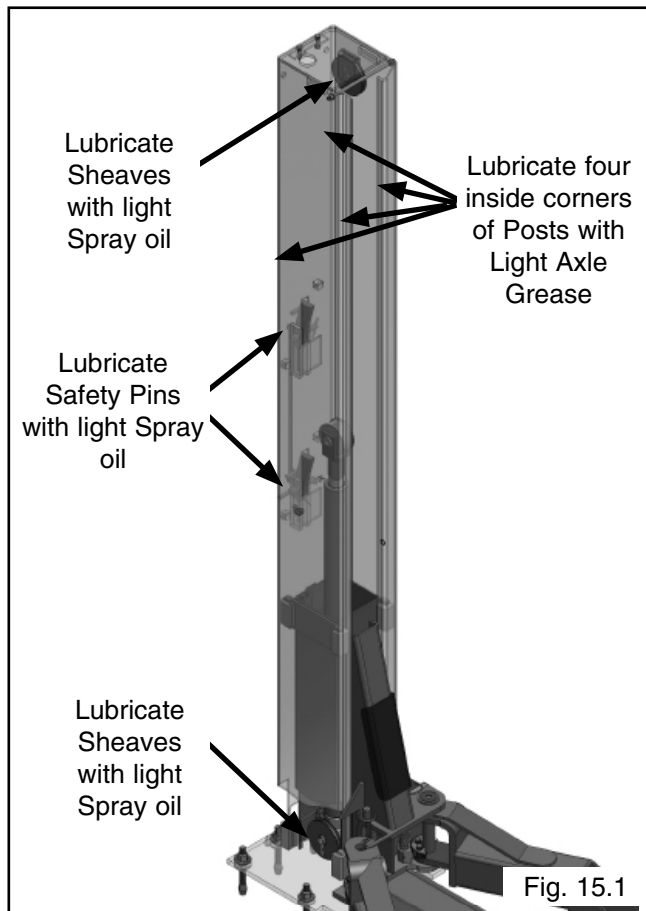
## POST-INSTALLATION CHECK-OFF

- Columns properly shimmed and stable
- Anchor Bolts tightened
- Pivot / Sheave Pins properly attached
- Electric power supply confirmed
- Cables adjusted properly
- Chain Links inspected and in good condition
- Safety Locks functioning properly
- Check for hydraulic leaks
- Oil level
- Lubrication of critical components
- Check for overhead obstructions
- All Screws, Bolts, and Pins securely fastened
- Surrounding area clean
- Operation, Maintenance and Safety Manuals on site.
- Perform an Operational Test with a typical vehicle

### STEP 15 (Lubrication)

1. After installation and start-up has been completed, lubricate lift components as described below.

(See Fig. 15.1)



### NOTE:

THERE WILL BE INITIAL STRETCHING OF THE CABLES AND/OR WITH INCREASED LOADS. ADJUST THE CABLES AS OUTLINED ABOVE A WEEK AFTER FIRST USE, THEN EVERY THREE TO SIX MONTHS THEREAFTER DEPENDING ON USAGE AND/OR TO COMPENSATE FOR STRETCH.

### STEP 16 (Operation Instructions)

#### OWNER/EMPLOYER RESPONSIBILITIES

##### The Owner/Employer:

- Shall ensure that lift operators are qualified and that they are trained in the safe use and operation of the lift using the manufacturer's operating instructions; ALI/SM01-1, ALI Lifting it Right safety manual; ALI/ST-90 ALI Safety Tips card; ANSI/ALI ALOIM-2000, American National Standard for

Automotive Lifts-Safety Requirements for Operation, Inspection and Maintenance; ALI/WL Series, ALI Uniform Warning Label Decals/Placards; and in the case of frame engaging lifts, ALI/LP-GUIDE, Vehicle Lifting Points/Quick Reference Guide for Frame Engaging Lifts.

- Shall establish procedures to periodically inspect the lift in accordance with the lift manufacturer's instructions or ANSI/ALI ALOIM-2000, American National Standard for Automotive Lifts-Safety Requirements for Operation, Inspection and Maintenance; and The Employer shall ensure that lift inspectors are qualified and that they are adequately trained in the inspection of the lift.

- Shall establish procedures to periodically maintain the lift in accordance with the lift manufacturer's instructions or ANSI/ALI ALOIM-2000, American National Standard for Automotive Lifts-Safety Requirements for Operation, Inspection and Maintenance; and The Employer shall ensure that lift maintenance personnel are qualified and that they are adequately trained in the maintenance of the lift.

- Shall maintain the periodic inspection and maintenance records recommended by the manufacturer or ANSI/ALI ALOIM-2000, American National Standard for Automotive Lifts-Safety Requirements for Operation, Inspection and Maintenance.

FOR TECHNICAL SUPPORT, PLEASE CALL:

1-(800) 253-2363 Ext. 196

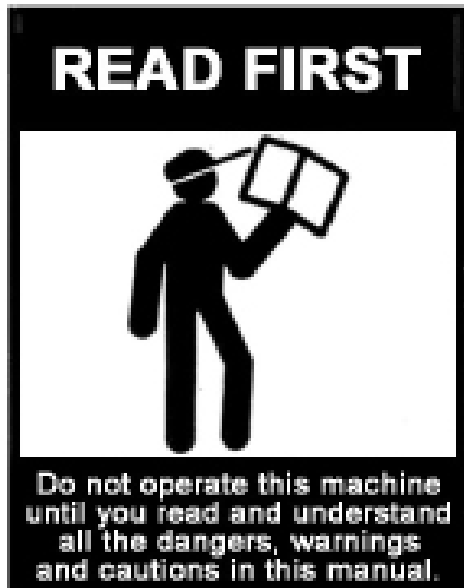
TO ORDER PARTS, PLEASE CALL:

1-(800) 253-2363 Ext. 191

- Shall display the lift manufacturer’s operating instructions; ALI/SM 93-1, ALI Lifting It Right safety manual; ALI/ST-90 ALI Safety Tips card; ANSI/ALI AL-OIM-2000, American National Standard for Automotive Lifts-Safety Requirements for Operation, Inspection and Maintenance; and in the case of frame engaging lifts, ALI/LP-GUIDE, Vehicle Lifting Points/Quick Reference Guide for Frame Engaging Lifts; in a conspicuous location in the lift area convenient to the operator.

- Shall provide necessary lockout/tagout means for energy sources per ANSI Z244.1-1982 (R1993), Safety Requirements for the Lockout/Tagout of Energy Sources, before beginning any lift repairs.

- Shall not modify the lift in any manner without the prior written consent of the manufacturer.



## LIFT OPERATION SAFETY

- **DAILY** inspect your lift. Never operate if it malfunctions or if it has broken or damaged parts. Use only qualified lift service personnel and genuine BendPak parts to make repairs.

- **THOROUGHLY** train all employees in use and care of lift, using manufacturer’s instructions and “Lifting It Right” and “Safety Tips” supplied with the lift.

- **NEVER** allow unauthorized or untrained persons to position vehicle or operate lift.

- **PROHIBIT** unauthorized persons from being in shop area while lift is in use.

- **DO NOT** permit anyone on lift or inside vehicle when it is

either being raised or lowered.

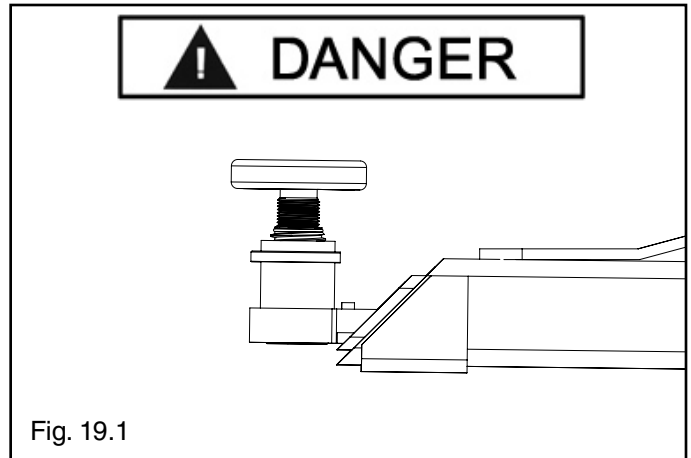
- **ALWAYS** keep area around lift free of tools, debris, grease and oil.

- **NEVER** overload lift. Capacity of lift is shown on nameplate affixed to the lift.

- **DO NOT** stand in front of the vehicle while it is being positioned in lift bay.

- **DO NOT** hit or run over lift arms or adapters. This could damage lift or vehicle. Before driving vehicle into lift bay, position arms and adapters to provide unobstructed entrance onto lift.

- **ALWAYS** load vehicle on lift carefully. Position the lift adapters to contact at the vehicle manufacturer’s recommended lift points. Raise lift until adapters contact vehicle. Check adapters for secure contact with vehicle. Raise lift to desired working height. (See Fig.19.1)



- **DO NOT** block open or override self-closing lift controls; they are designed to return to the “Off” or Neutral position when released.



VISUALLY CONFIRM THAT ALL PRIMARY SAFETY LOCKS ARE ENGAGED BEFORE ENTERING WORK AREA. SUSPENSION COMPONENTS USED ON THIS LIFT ARE INTENDED TO RAISE AND LOWER LIFT ONLY AND ARE NOT MEANT TO BE LOAD HOLDING DEVICES. REMAIN CLEAR OF ELEVATED LIFT UNLESS VISUAL CONFIRMATION IS MADE THAT ALL PRIMARY SAFETY LOCKS ARE FULLY ENGAGED AND THE LIFT IS LOWERED ONTO THE SAFETY LOCKS, REFER TO INSTALLATION/OPERATION MANUAL FOR PROPER SAFETY LOCK PROCEDURES AND/OR FURTHER INSTRUCTION.

## LIFT OPERATION SAFETY

- **DO NOT** remove or disable arm restraints.
- **ALWAYS** remain clear of lift when raising or lowering vehicles.
- **ALWAYS** use safety stands when removing or installing heavy components.
- **DO NOT** go under raised vehicle if safety locks are not engaged.
- **NEVER LEAVE LIFT IN ELEVATED CONDITION** unless all Safety Locks are engaged.
- **AVOID** excessive rocking of vehicle while on lift.
- **ALWAYS CLEAR AREA** if vehicle is in danger of falling.

1. Before Loading: Lift must be fully lowered and service bay clear of all personnel before the vehicle is brought on lift with the swing arms set to the full drive-thru position.
2. Loading: Swing arms under vehicle and position adapters at vehicle manufacturer’s recommended lift points. Use height extenders or optional frame-cradle adapters when necessary to ensure good contact. (See Fig 19.2-19.3)



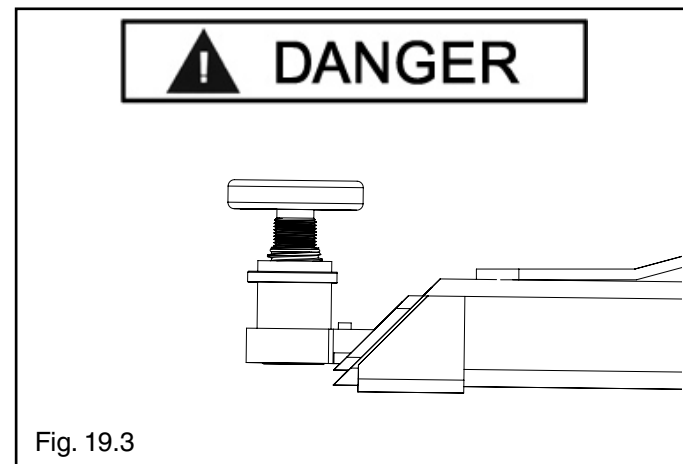
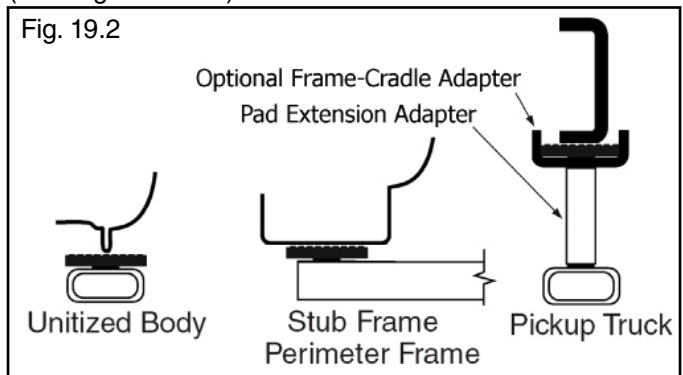
WHEN LOWERING THE LIFT PAY CAREFUL ATTENTION THAT ALL PERSONNEL AND OBJECTS ARE KEPT CLEAR. ALWAYS KEEP A VISUAL LINE OF SITE ON THE LIFT AT ALL TIMES. ALWAYS MAKE SURE THAT BOTH LOCKS ARE DISENGAGED. IF ONE OF THE SAFETY LATCHES INADVERTENTLY LOCKS ON DESCENT THE LIFT AND/OR VEHICLE MAY DISRUPT CAUSING PERSONAL INJURY OR DEATH.

- **ALWAYS REMOVE** tool trays, stands, etc. before lowering lift.
- **ALWAYS RELEASE** safety locks before attempting to lower lift.
- **ALWAYS POSITION** the lift arms and adapters to provide an unobstructed exit before removing vehicle from lift area.

### TO RAISE THE LIFT



TO AVOID PERSONAL INJURY AND/OR PROPERTY DAMAGE, PERMIT ONLY TRAINED PERSONNEL TO OPERATE LIFT. AFTER REVIEWING THESE INSTRUCTIONS, PRACTICE USING LIFT CONTROLS BY RUNNING THE LIFT THROUGH A FEW UNLOADED CYCLES BEFORE LOADING VEHICLE ON LIFT. ALWAYS LIFT THE VEHICLE USING ALL FOUR ADAPTERS. NEVER RAISE JUST ONE END, ONE CORNER, OR ONE SIDE OF VEHICLE.



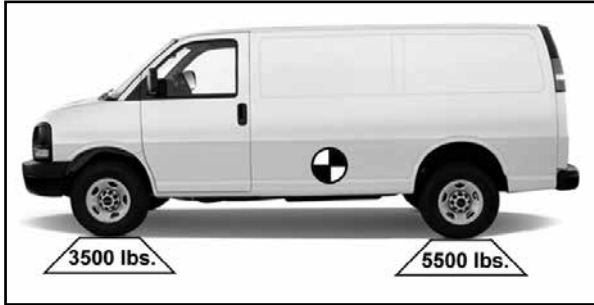
3. Some vehicles may have the manufacturer's Service Garage Lift Point locations identified by triangle shape marks on the underlift head (reference ANSI/SAE J2184-1992). Also, there may be a label located on the right front door jamb area showing specific vehicle lift points.



MANY SPECIALTY OR MODIFIED VEHICLES CANNOT BE RAISED ON A TWO-POST FRAME ENGAGING LIFT. CONTACT VEHICLE MANUFACTURER FOR RAISING OR JACKING DETAILS.

## LIFT OPERATION SAFETY (CONT'D)

4. Position vehicle for proper weight distribution arms under vehicle to allow adapters to contact at the manufacturer's recommended pick up points.



5. If the specific vehicle lift points are not identified, refer to the VEHICLE CENTER OF BALANCE instructions found on our website at:

<http://www.bendpak.com/support/balancing-safety/>

6. Push the **RAISE** button or rotate the control switch on the power unit.

**NOTE:**  
ALLOW (2) SECONDS BETWEEN MOTOR STARTS.  
FAILURE TO COMPLY MAY CAUSE MOTOR BURNOUT.

7. Stop before making contact with vehicle. Check arm restraint pins for engagement. If required, slightly move arm to allow restraint gear and pawl to mesh. **DO NOT** hammer arm restraint pin down as this will damage the restraint gear teeth.

8. Raise vehicle until tires clear the floor.

9. Stop and check adapters for secure contact at vehicle manufacturer's recommended lift points.

10. Continue to raise to desired height only if vehicle is secure on lift.

11. **DO NOT** go near or under a raised vehicle if all four adapters are not in secure contact with vehicle at vehicle manufacturer's recommended lift points.

12. Repeat entire loading and raising procedures if required.

13. Lower lift onto safety locks.

- **DO NOT** enter work area or go under vehicle if safety locks are not engaged.

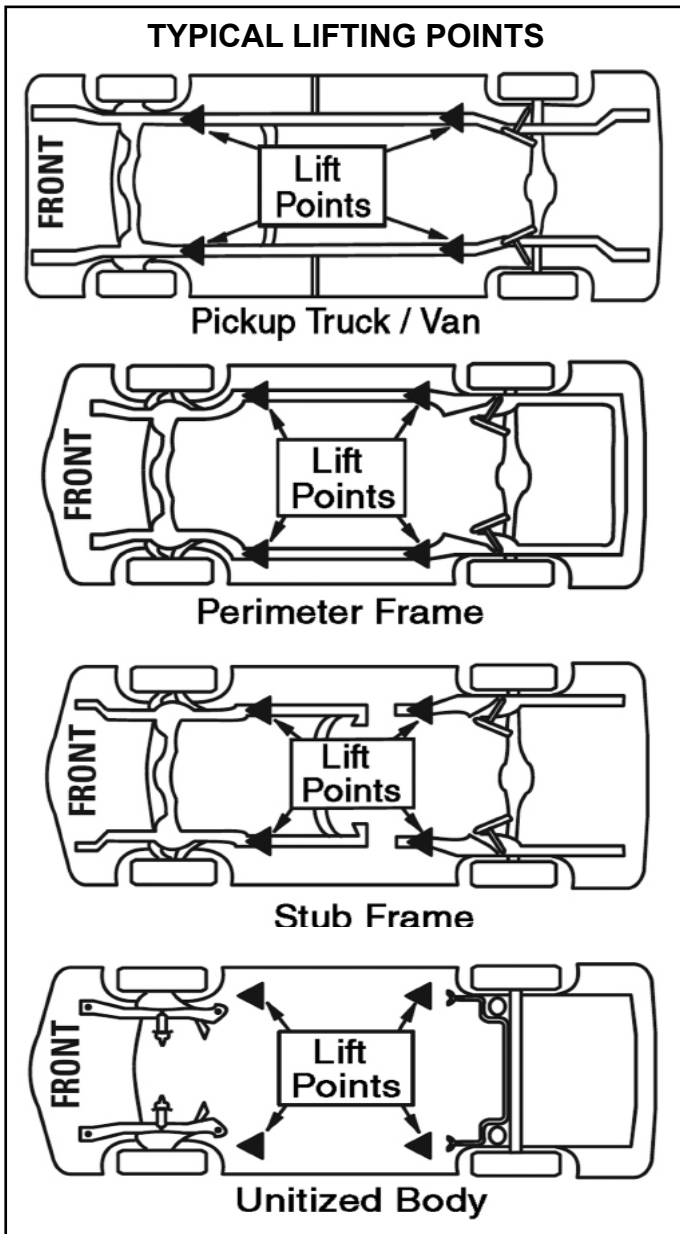


VISUALLY CONFIRM THAT ALL PRIMARY SAFETY LOCKS ARE ENGAGED BEFORE ENTERING WORK AREA. SUSPENSION COMPONENTS USED ON THIS LIFT ARE INTENDED TO RAISE AND LOWER LIFT ONLY AND ARE NOT MEANT TO BE LOAD HOLDING DEVICES. REMAIN CLEAR OF ELEVATED LIFT UNLESS VISUAL CONFIRMATION IS MADE THAT ALL PRIMARY SAFETY LOCKS ARE FULLY ENGAGED AND THE LIFT IS LOWERED ONTO THE SAFETY LOCKS, REFER TO INSTALLATION /OPERATION MANUAL FOR PROPER SAFETY

- **CLEAR AREA** if vehicle is in danger of falling.
- **DO NOT** position yourself between a wall and the lift. If the vehicle falls in that direction, you may be severely injured or killed.

- Before attempting to lift pickup trucks or other truck frame vehicles, be sure that:

- ◆ Vehicle frame is strong enough to support its weight and has not been weakened by modification or corrosion.



## LIFT OPERATION SAFETY (CONT'D)

- ◆ Vehicle individual axle weight does not exceed one-half lift capacity.
- ◆ Adapters are in secure contact with frame at vehicle manufacturers recommended lift points.
- ◆ Vehicle is stable on lift and the center of gravity is NOT off balance.
- ◆ The overhead switch bar will contact the highest point on the vehicle.



WHEN LOWERING THE LIFT PAY CAREFUL ATTENTION THAT ALL PERSONNEL AND OBJECTS ARE KEPT CLEAR. ALWAYS KEEP A VISUAL LINE OF SITE ON THE LIFT AT ALL TIMES. ALWAYS MAKE SURE THAT ALL LOCKS ARE DISENGAGED. IF ONE OF THE SAFETY LATCHES INADVERTENTLY LOCKS ON DESCENT THE LIFT AND/OR VEHICLE MAY DISRUPT CAUSING PERSONAL INJURY OR DEATH.

### WHILE USING LIFT

- Avoid excessive rocking of vehicle while on lift.
- Always use safety stands as needed or when removing or installing heavy components.

### TO LOWER THE LIFT

1. Remove all tools or other objects from the lift area.
2. Raise lift off safety locks. Make sure you raise it by at least two inches to allow adequate clearance for the locks to clear.
3. Push safety lock release handle fully and hold.
4. Push LOWERING valve handle to lower. Note: Both SAFETY LOCK release and LOWERING valve handles must be held down simultaneously to lower lift. Do not override self-closing lift controls.
5. Remain clear of lift when lowering vehicle. Observe pinch point warning decals.
6. Remove adapters from under vehicle and swing arms to full drive-thru position before moving vehicle.
7. If lift is not operating properly, DO NOT use until adjustment or repairs are made by qualified lift service personnel.

### MAINTENANCE INSTRUCTIONS

- Always keep bolts tight. Check periodically.
- Always keep lift components clean.
- Always if oil leakage is observed, call local service representative.
- Always replace ALL FAULTY PARTS before lift is put back into operation.
- Daily: Make a visual inspection of ALL MOVING PARTS and check for excessive signs of wear.
- Daily: Check safety locks to ensure they are in good operating condition.

- Daily: Check cables and sheaves for wear. Replace worn parts as required with genuine BendPak parts.
- Daily: Inspect adapters for damage or excessive wear. Replace as required with genuine BendPak parts.
- Weekly: Lubricate all sheave and rollers with general purpose oil.
- Weekly: Check all cable connections, bolts and pins to ensure proper mounting.
- Monthly: Check equalizer cable tension. Adjust per lift installation instructions.
- Monthly: Lubricate locking latch shafts. Push latch handle several times for oil to penetrate pivot points.
- Every 3 Months: Check anchor bolt torque. Anchors should be torqued to 90 ft/lb
- Semi-Annually: Check fluid level of lift power unit and refill if required per lift installation instructions.
- Replace all caution, warning or safety related decals on the lift if unable to read or missing. Reorder labels from BendPak.
- Refer to ANSI/ALI ALOIM booklet for periodic inspection checklist and maintenance log sheet.

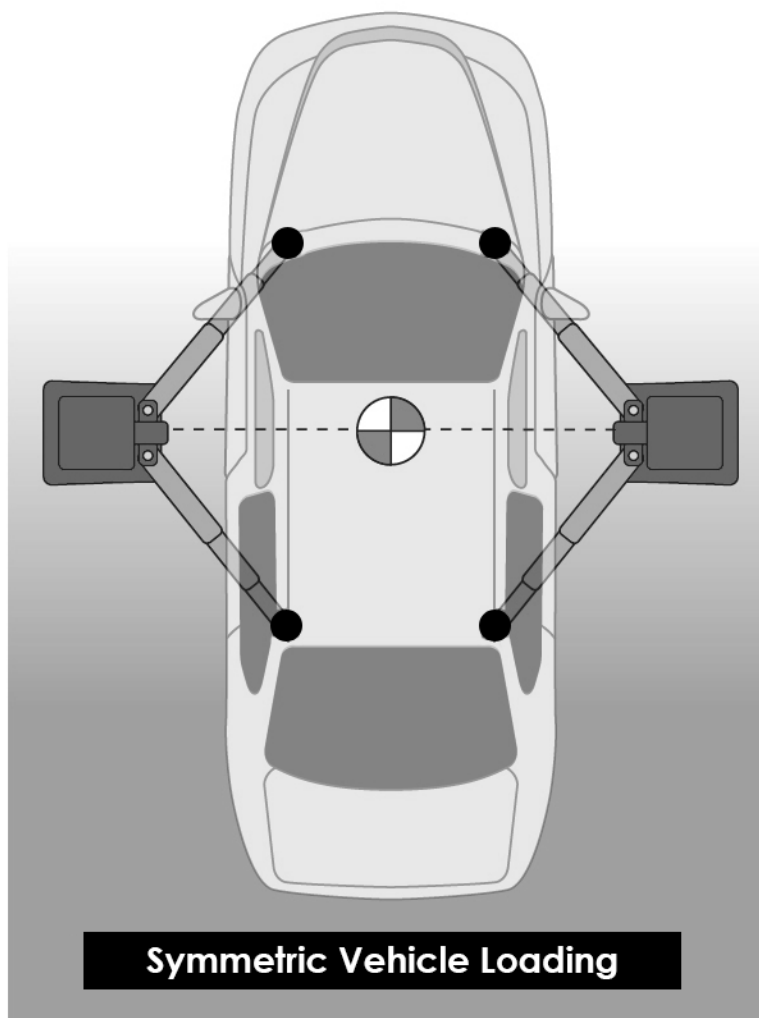


IF YOU ARE NOT COMPLETELY FAMILIAR WITH AUTOMOTIVE LIFT MAINTENANCE PROCEDURES; STOP AND CONTACT THE MANUFACTURER FOR INSTRUCTIONS. TO AVOID PERSONAL INJURY, PERMIT ONLY QUALIFIED PERSONNEL TO PERFORM MAINTENANCE ON THIS EQUIPMENT.

## LIFT OPERATION SAFETY (CONT'D)









Before lifting the vehicle, make sure it is neither front nor rear heavy. See image below.  
Center of balance should be midway between adapters.





# OPTIONAL AND STANDARD ACCESSORIES

Included Standard  
 Not Included / Optional

Model No.	44mm. Adapter	63mm. Adapter	125mm. Adapter	Telescoping Screw Pad	Standard Pad	Frame Cradle Pads
XPR-9S	⊗	☑	⊗	☑	⊗	⊗
XPR-9S-LP	⊗	☑	⊗	☑	⊗	⊗
XPR-9TS	⊗	☑	⊗	☑	⊗	⊗

**Optional Equipment available through your Authorized BendPak Dealer.**

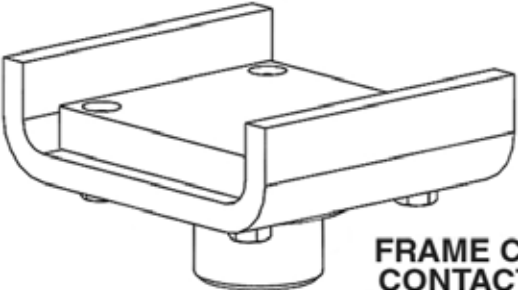


Telescoping Screw Pad



Frame Cradle Pad

! DANGER



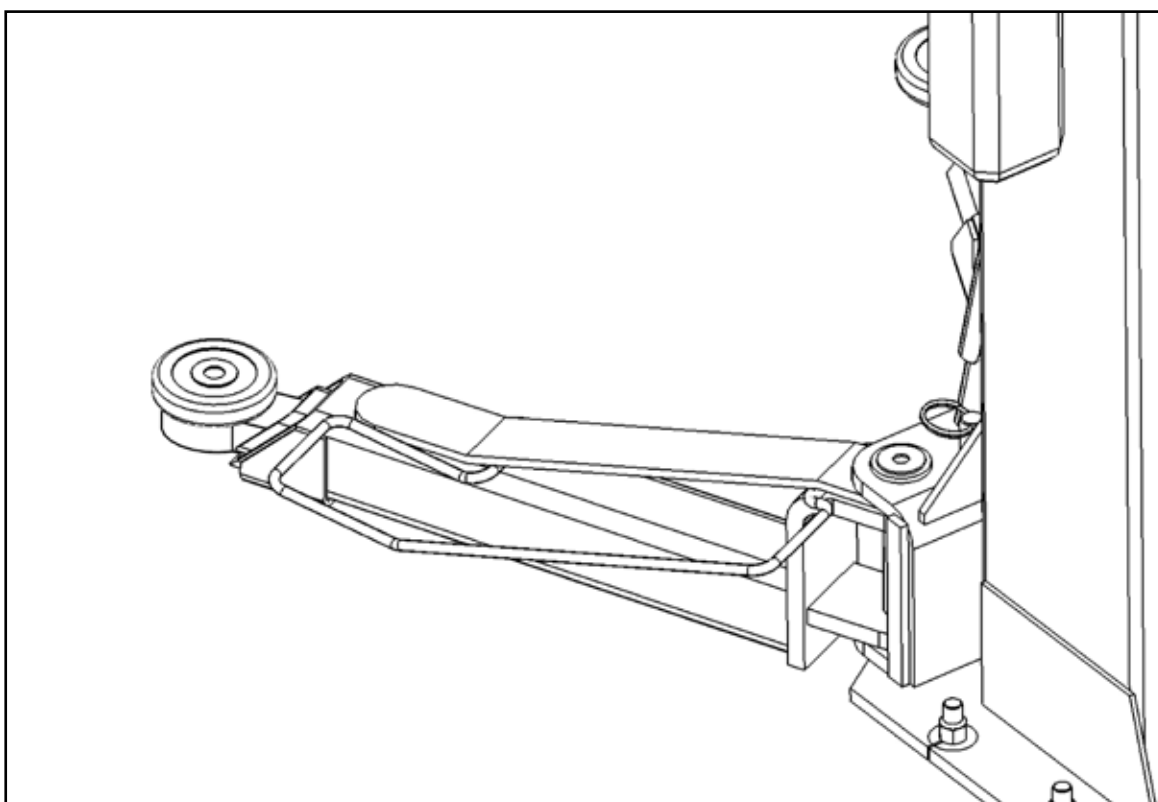
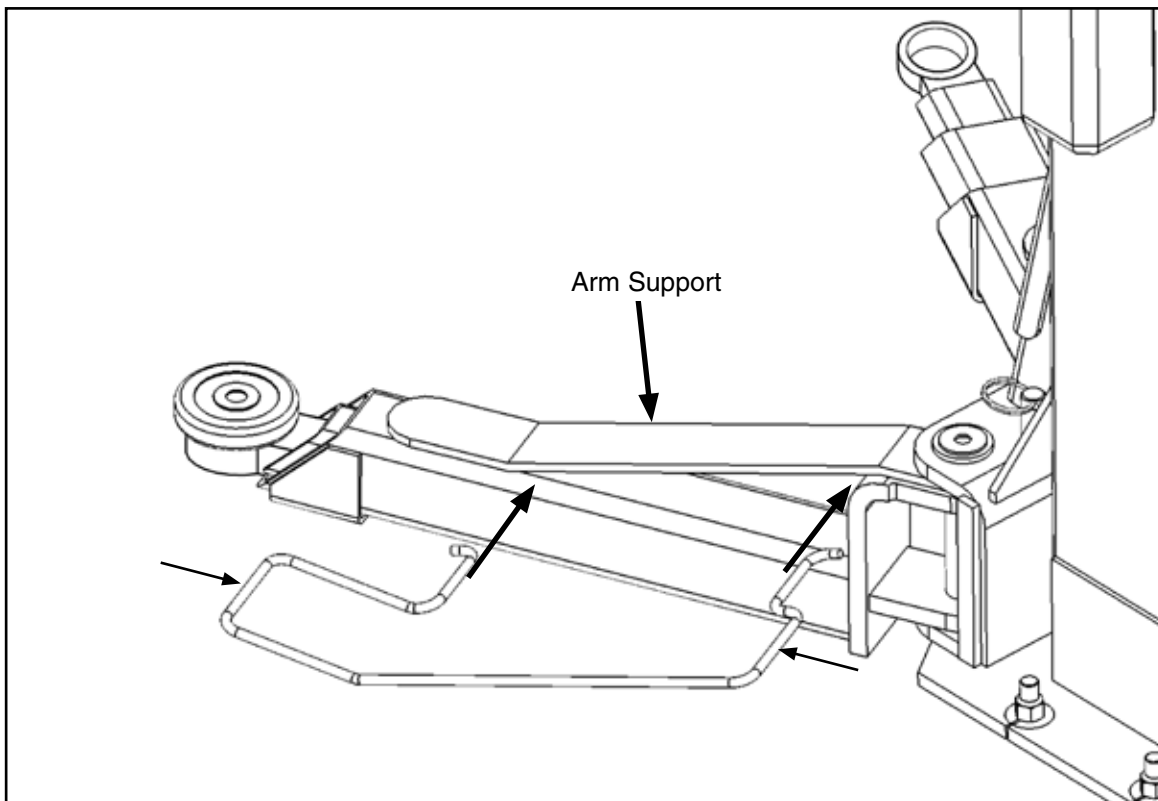
FRAME CRADLE CONTACT PADS

USE PROPER ADAPTERS

Do not attempt to lift trucks or other frame type vehicles with standard flat contact pads. Frame cradle contact pads are recommended for use when lifting trucks, vans, or other frame vehicles. NEVER use lift with missing or damaged rubber pads. ALWAYS REPLACE rubber contact pads when worn or damaged. Contact BendPak or your BendPak dealer for product information.

If the lift was provided with Lift Arm Foot Guards, install the shorter Foot Guard on the shorter Arm Assembly and the longer Foot Guard on the longer Arm Assembly.

To install firmly squeeze the ends of the Foot Guard inwards and insert the ends underneath the bent ends of the arm support. Release to allow the Foot Guard to spring into place. Check to be sure that Foot Guard is firmly in place. Repeat this step for each Arm Assembly Foot Guard.



## OPTIONAL EQUIPMENT INSTALLATION

# Utility Air-Electric Workstation

Utility Station may be mounted on the vertical column of the lift or on a wall.

**IMPORTANT: Check State or Local codes for any height requirements for the electrical outlets before mounting.**

To mount the Utility Station on a Lift Column, use the Box as a template, mark and drill  $1\frac{1}{32}$ " diameter holes. Use  $\frac{5}{16}$ " diameter bolts and lock nuts to secure to the side of the lift.

**IMPORTANT: The hole locations are critical to avoid interference with the carriage slide blocks.**

For Wall mounting, mount in the same fashion use appropriate hardware for either sheet rock or concrete.

**IMPORTANT: All electrical wiring shall comply with all State and Local Codes.**

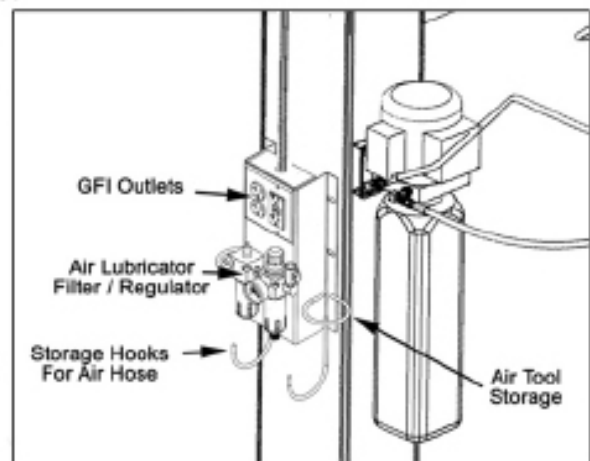
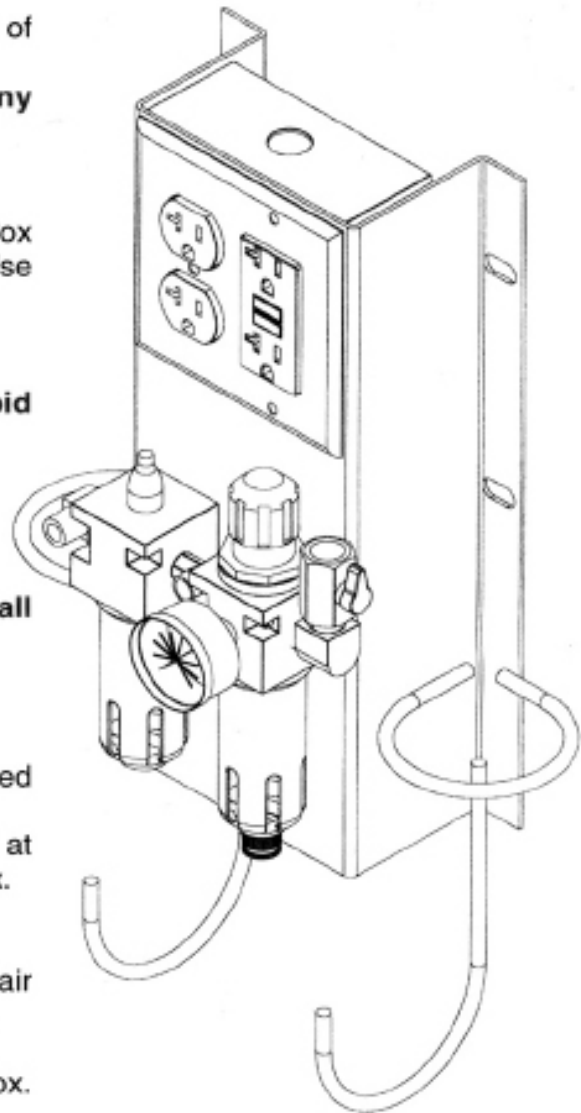
Connect electrical wiring to single phase, 60Hz 115 volt electrical supply using suitable conduit (not supplied). The duplex receptacle must be connected through the GFCI with the input line to the box connected to a circuit breaker or time delay fuse rated at 20 amps. Both receptacles must be grounded to the box.

Connect main air supply to  $\frac{1}{4}$ " ball valve inlet on the Utility Station (Run  $\frac{3}{8}$ " line from compressor or main air system to Utility Station.)

Install Quick Couplers to the  $\frac{1}{4}$ " male fittings on the box. The air supply between the filter and the lubricator will be non-lubricated, used for tire inflation or blowing off. The air outlet on the left side will be lubricated for air tool use.

### Regulator Instructions

- Regulate pressure by raising the knob, then turning clockwise to increase and counterclockwise to decrease. Push knob down to lock setting.
- Adjust the oil mist using the screwdriver slot located on top of the lubricator.
- To fill the lubricator, first depressurize the air system, remove the slotted screw plug in the body. Replace the screw before repressurizing.



## TO RAISE LIFT

- ◆ Read operating and safety manuals before using lift.
- ◆ Always lift a vehicle according to the manufacturers recommended lifting points.
- ◆ Position vehicle between posts.
- ◆ Adjust swing arms so that the vehicle is positioned with the center of gravity midway between pads.
- ◆ Use truck adapters as needed. Never exceed 9" of pad height.
- ◆ **NEVER** use lift pad assemblies without rubber slip over pads in place.
- ◆ Raise the vehicle by depressing button until the vehicle just lifts off the ground. Re-check to make sure the vehicle is secure and all locking pins are lock in place.
- ◆ Raise vehicle to desired height. Lower vehicle onto nearest safety,
- ◆ Always ensure safeties are engaged before any attempt is made to work on or near vehicle.

## TO LOWER THE LIFT

- ◆ First raise the lift to disengage the safeties.
- ◆ Release safeties by pushing on the safety handle.
- ◆ Be sure tool trays, stands or personnel are cleared from under the vehicle.
- ◆ Lower vehicle by activating lowering handle on power unit.
- ◆ Before removing vehicle from lift; position lift arms and supports to provide an unobstructed exit.
- ◆ **NEVER**, drive over lift arms.

## REQUIRED MONTHLY MAINTENANCE

- ◆ Check all arm adjusting locks for proper operation.
- ◆ Check all cables connections, bolts and pins to ensure proper mounting and torque.
- ◆ Visually inspect safeties for proper operation.
- ◆ Lubricate posts with grease.
- ◆ Inspect all anchors bolts and retighten if necessary.
- ◆ Check all posts for squareness and plumb.
- ◆ Inspect all pivot arms pins making sure they are properly secure.
- ◆ Check equalizer cable tension, and adjust if necessary.
- ◆ If lift is equipped with over head microswitch, check for proper operation.



1. If cement anchor bolts are loose or any component of the lift is found to be defective, **DO NOT USE THE LIFT!**
2. Never operate the lift with any person or equipment below the vehicle.
3. Never exceed the rated lift capacity.
4. Always ensure the safeties are engaged before any attempt is made to work on or near the vehicle.
5. Never leave lift in elevated position unless the safeties are engaged.
6. Do not permit electric motor to get wet! Motor damage caused by dampness is not covered under warranty.



**NEVER LIFT ANY VEHICLE IN ANY MANNER WITH LESS THAN ALL FOUR (4) ARMS. RATED CAPACITY OF EACH LIFT ARM IS NO GREATER THAN ONE FOURTH (1/4) OF THE OVERALL LIFT CAPACITY.**



## WARNING

### WIRE ROPE INSPECTION AND MAINTENANCE

◆ Lifting cables should be replaced every three - five years or when visible signs of damage are apparent. **DO NOT USE LIFT WITH DEFECTIVE / WORN CABLES.**

◆ Lifting cables should be maintained in a well-lubricated condition at all times. Wire rope is only fully protected when each wire strand is lubricated both internal and external. Excessive wear will shorten the life of the wire rope. The factory suggested wire rope lubricant that penetrates to the core of the rope and provides long-term lubrication between each individual strand is 90-WT gear oil or ALMASOL® Wire Rope Lubricant. In order to make sure that the inner layers of the rope remain well lubricated, lubrication should be carried out at intervals not exceeding three months during operation.

◆ All sheaves and guide rollers in contact with the moving rope should be given regular visual checks for surface wear and lubricated to make sure that they run freely. This operation should be carried out at appropriate intervals generally not exceeding three months during operation. For all sheave axles, the factory recommends standard wheel bearing grease. For all sheaves and/or guide rollers, the factory recommends 90-WT gear oil or similar heavy lubricant applied by any method including pump / spray dispensing, brush, hand and/or swabbing.

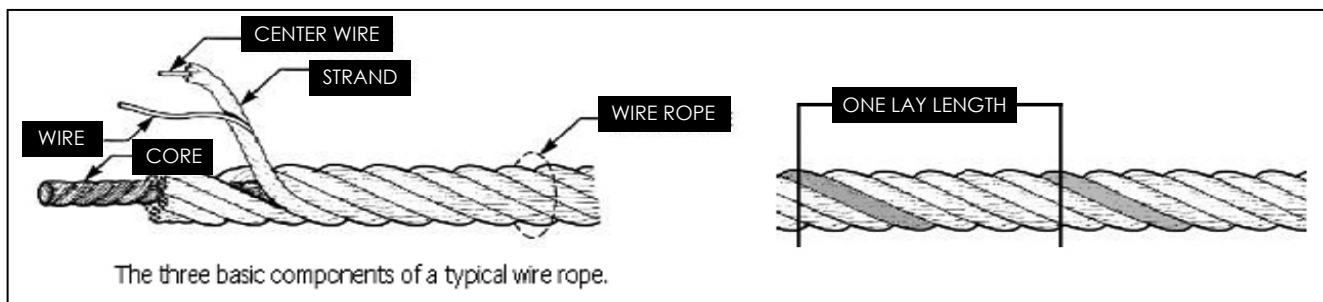
### HOW OFTEN TO INSPECT

◆ Lifting cables should be visually inspected at least once each day when in use, as suggested by American Petroleum Institute (API) RP54 guidelines.

◆ Any lifting cables that have met the criteria for removal must be immediately replaced.

### WHEN TO REPLACE LIFTING CABLES DUE TO BROKEN WIRES

◆ Lifting cables should be removed from service when you see six randomly distributed broken wires within any one lay length, or three broken wires in one strand within one lay length.



### OTHER REASONS TO REPLACE LIFTING CABLES

- ◆ Corrosion that pits the wires and/or connectors.
- ◆ Evidence of kinking, crushing, cutting, bird-caging or a popped core.
- ◆ Wear that exceeds 10% of a wire's original diameter.
- ◆ Evidence of heat damage.

### HOW TO FIND BROKEN WIRES

◆ The first step is to relax your rope to a stationary position and move the pick-up points off the sheaves. Clean the surface of the rope with a cloth — a wire brush, if necessary — so you can see any breaks.

◆ Flex the rope to expose any broken wires hidden in the valleys between the strands.

◆ Visually check for any broken wires. One way to check for crown breaks is to run a cloth along the rope to check for possible snags.

◆ With an awl, probe between wires and strands and lift any wires that appear loose. Evidence of internal broken wires may require a more extensive rope examination.

# ⚠ WARNING

## WIRE ROPE INSPECTION AND MAINTENANCE

- Lifting cables should be replaced every three years or when visible signs of damage are apparent. **DO NOT USE LIFT WITH DEFECTIVE: WORN CABLES.**
- Wire rope should be maintained in a well-lubricated condition at all times. Wire rope is only fully protected when each wire strand is lubricated both internally and externally. Excessive wear will shorten the life of the wire rope. The factory suggested wire rope lubricant that penetrates to the core of the rope and provides long term lubrication between each individual strand is **AMSOIL Synthetic Open Gear and Wire Rope Compound** or **90WT** gear oil or similar heavy lubricant. In order to make sure that the inner layers of the rope remains well lubricated, lubrication should be carried out at intervals not exceeding three months during operation.
- All sheaves and guide rollers in contact with the moving rope should be given regular visual checks for surface wear and lubricated to make sure that they run freely. This operation should be carried out at appropriate intervals generally not exceeding three months during operation. For all sheave axles, the factory recommends standard wheel bearing grease. For all sheaves and /or guide rollers, the factory recommends **90 WT** gear oil or similar heavy lubricant applied by any method including pump / spray dispensing, brush, hand and /or swabbing.

Failure to read, understand, and follow these instructions may cause death or serious injury.  
Read and understand these instructions before using lift.

## SAFETY INSTRUCTIONS



Read operating and safety manuals before using lift.

©

## SAFETY INSTRUCTIONS



Proper maintenance and inspection is necessary for safe operation.

©

## SAFETY INSTRUCTIONS



Do not operate a damaged lift.

©

The messages and pictographs shown are generic in nature and are meant to generally represent hazards common to all automotive lifts regardless of specific style

Funding for the development and validation of these labels was provided by the Automotive Lift Institute, PO Box 33116 Indianalantic, FL 32903

They are protected by copyright  
Set of labels may be obtained from  
ALI or its member companies

© 1992 by ALI, Inc

ALI/WL1018



**CAUTION**  
Lift to be used by trained operator only.

©



**CAUTION**  
Authorized personnel only in lift area.

©



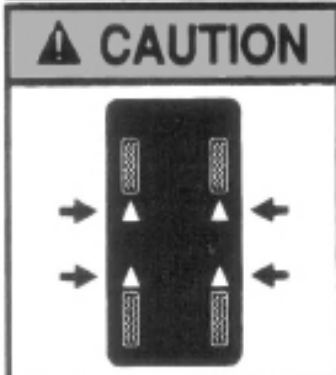
**WARNING**  
Clear area if vehicle is in danger of falling.

©



**WARNING**  
Position vehicle with center of gravity midway between adapters.

©



**CAUTION**  
Use vehicle manufacturer's lift points.

©



**CAUTION**  
Always use safety stands when removing or installing heavy components.

©



**WARNING**  
Remain clear of lift when raising or lowering vehicle.

©



**WARNING**  
Avoid excessive rocking of vehicle while on lift.

©



**CAUTION**  
Use height extenders when necessary to ensure good contact.

©



**CAUTION**  
Auxiliary adapters may reduce load capacity.

©



**WARNING**  
Do not override self-closing lift controls.

©



**WARNING**  
Keep feet clear of lift while lowering.

©

The messages and pictographs shown are generic in nature and are meant to generally represent hazards common to all automotive lifts regardless of specific style.

Funding for the development and validation of these labels was provided by the Automotive Lift Institute, PO Box 33116 Indialantic, FL. 32903.

They are protected by copyright. Set of labels may be obtained from ALI or its member companies.

©1992 by ALI, Inc.

ALI/WL101c

The messages and pictographs shown are generic in nature and are meant to generally represent hazards common to all automotive lifts regardless of specific style.

Funding for the development and validation of these labels was provided by the Automotive Lift Institute, PO Box 33116 Indialantic, FL. 32903.

They are protected by copyright. Set of labels may be obtained from ALI or its member companies.

©1992 by ALI, Inc.

ALI/WL101w

## Safe Lift Operation

Automotive and truck lifts are critical to the operation and profitability of your business. The safe use of this and other lifts in your shop is critical in preventing employee injuries and damage to customer's vehicles. By operating lifts safely you can ensure that your shop is profitable, productive and safe.

Safe operation of automotive lifts requires that only trained employees should be allowed to use the lift.

### **TRAINING SHOULD INCLUDE, BUT NOT LIMITED TO:**

- ◆ Proper positioning of the vehicle on the lift arms. (See manufacturers minimize wheel base loading requirements.)
- ◆ Use of the operating controls.
- ◆ Understanding the lift capacity.
- ◆ Proper use of jack stands or other load supporting devices.
- ◆ Proper use, understanding and visual identification of safety lock devices and their operation.
- ◆ Reviewing the safety rules.
- ◆ Proper housekeeping procedures (lift area should be free of grease, oil, tools, equipment, trash, and other debris).
- ◆ A daily inspection of the lift should be completed prior to its use. Safety devices, operating controls, lift arms and other critical parts should be inspected prior to using the lift.
- ◆ All maintenance and repairs of the lift should be completed by following the manufacturer's requirements. Lift repair parts should meet or exceed OEM specifications. Repairs should only be completed by a qualified lift technician.
- ◆ The vehicle manufacturer's recommendations should be used for spotting and lifting the vehicle.

### **LIFT OPERATION / SAFETY**

- ◆ It is important that you know the load limit. Be careful that you do not overload the lift . If you are unsure what the load limit is, check the data plate found on one of the lift columns or contact the manufacturer.
- ◆ The center of gravity should be followed closely to what the manufacturer recommends.
- ◆ Always make sure you have proper overhead clearance. Additionally, check that attachments, (vehicle signs, campers, antennas, etc.) are not in the way.
- ◆ Be sure that prior to the vehicle being raised, the doors, trunk, and hood are closed securely.
- ◆ Prior to being raised, make sure there is no one standing closer than six feet from the lift.
- ◆ After positioning the vehicle on the lift runways, set the emergency brake, make sure the ignition is off, the doors are closed, overhead obstructions are cleared, and the transmission is in neutral.
- ◆ Double check that the automatic chock devices are in position and then when the lift is raised, observe the chocks.
- ◆ Put pads or adapters in the right position under the contact points that have been recommended.
- ◆ The lift should be raised just until the vehicle's wheels are about one foot off the ground. If contact with the vehicle is uneven or it appears that the vehicle is not sitting secure, carefully lower the lift and readjust.
- ◆ Always consider potential problems that might cause a vehicle to slip, i.e., heavy cargo, undercoating, etc.
- ◆ Pay attention when walking under a vehicle that is up on the hydraulic lift.





- ◆ **DO NOT** leave the controls while the lift is still in motion.
- ◆ **DO NOT** stand directly in front of the vehicle or in the bay when vehicle is being loaded or driven into position.
- ◆ **DO NOT** go near vehicle or attempt to work on the vehicle when being raised or lowered.
- ◆ **REMAIN CLEAR** of lift when raising or lowering vehicle.
- ◆ **DO NOT** rock the vehicle while on the lift or remove any heavy component from vehicle that may cause excessive weight shift.
- ◆ **DO NOT** lower the vehicle until people, materials, and tools are clear
- ◆ **ALWAYS ENSURE** that the safeties are engaged and lowered on to the safeties before any attempt is made to work on or near vehicle.
- ◆ Some vehicle maintenance and repair activities may cause the vehicle to shift. Follow the manufacturer's guidelines when performing these operations. The use of jack stands or alternate lift points may be required when completing some repairs.
- ◆ **READ AND UNDERSTAND** all safety warning procedures before operating lift.
- ◆ **KEEP HANDS AND FEET CLEAR.** Remove hands and feet from any moving parts. Keep feet clear of lift when lowering. Avoid pinch points.
- ◆ **ONLY TRAINED OPERATORS** should operate this lift. All non-trained personnel should be kept away from work area. Never let non-trained personnel come in contact with, or operate lift.
- ◆ **USE LIFT CORRECTLY.** Use lift in the proper manner. Never use lifting adapters other than what is approved by the manufacturer.
- ◆ **DO NOT** override self-closing lift controls.
- ◆ **CLEAR AREA** if vehicle is on danger of falling.
- ◆ **STAY ALERT.** Watch what you are doing. Use common sense. Be aware.
- ◆ **CHECK FOR DAMAGED PARTS.** Check for alignment of moving parts, breakage of parts or any condition that may affect its operation. Do not use lift if any component is broken or damaged.
- ◆ **NEVER** remove safety related components from the lift. Do not use lift if safety related components are damaged or missing.
- ◆ When the lift is being lowered, make sure everyone is standing at least six feet away.
- ◆ Be sure there are no jacks, tools, equipment, left under the lift before lowering.
- ◆ Always lower the vehicle down slowly and smoothly.

# LIFT WILL NOT RAISE

## **POSSIBLE CAUSE**

1. Air in oil, (1,2,8,13)
2. Cylinder binding, (9)
3. Cylinder leaks internally, (9)
4. Motor run backward under pressure, (11)
5. Lowering valve leaks, (3,4,6,10,11)
6. Motor runs backwards, (7,14,11)
7. Pump damaged, (10,11)
8. Pump won't prime, (1,8,13,14,3,12,10,11)
9. Relief valve leaks, (10,11)
10. Voltage to motor incorrect, (7,14,11)

## **REMEDY**

1. Check for proper oil level. . . . .
2. Bleed cylinders. . . . .
3. Flush release valve to get rid of possible contamination . . . . .
4. Dirty oil. . . . .
5. Tighten all fasteners. . . . .
6. Check for free movement of release. . . . .
7. Check if motor is wired correctly. . . . .
8. Oil seal damaged or cocked . . . . .
9. See Installation Manual . . . . .
10. Replace with new part . . . . .
11. Return unit for repair . . . . .
12. Check pump-mounting bolts . . . . .
13. Inlet screen clogged . . . . .
14. Check wall outlet voltages and wiring . . . . .

## **INSTRUCTION**

1. The oil level should be up to the bleed screw in the reservoir with the lift all the way down.
2. See Installation Manual
3. Hold release handle down and start unit allowing it to run for 15 seconds.
4. Replace oil with clean Dexron ATF.
5. Tighten fasteners to recommended torques.
6. If handle does not move freely, replace bracket or handle assembly.
7. Compare wiring of motor to electrical diagram on drawing.
8. Replace oil seal around pump shaft.
9. Contact BendPak Customer Support.
10. Replace with new part.
11. Return unit for repair.
12. Bolts should be 15 to 18 ft. lbs.
13. Clean inlet screen or replace.
14. Make sure unit and wall outlet are wired properly.

## MOTOR WILL NOT RUN

### **POSSIBLE CAUSE**

1. Fuse blown, (5,2,1,3,4)
2. Limit switch burned out, (1,2,3,4)
3. Microswitch burned out, (1,2,3,4)
4. Motor burned out, (1,2,3,4,6)
5. Voltage to motor incorrect, (2,1,8)

### **REMEDY**

- | <b>REMEDY</b>                                     | <b>INSTRUCTION</b>   |
|---|--|
| 1. Check for correct voltage . . . . .            | .Compare supply voltage with voltage on motor name tag. Check that the wire is sized correctly. N.E.C. table 310-12 requires AWG 10 for 25 Amps.   |
| 2. Check motor is wired correctly . . . . .       | .Compare wiring of motor to electrical diagram on drawing.   |
| 3. Don't use extension cords . . . . .            | .According to N.E.C. : " The size of the conductors... should be such that the voltage drop would not exceed 3% to the farthest outlet for power..." Do not run motor at 115 VAC – damage to the motor will occur. |
| 4. Replace with new part . . . . .                | .Replace with new part.  |
| 5. Reset circuit breaker/fuse . . . . .           | .Reset circuit breaker/fuse.   |
| 6. Return unit for repair . . . . .               | Return unit for repair.  |
| 7. See Installation Manual . . . . .              | .See Installation Manual.  |
| 8. Check wall outlet voltage and wiring . . . . . | Make sure unit and wall outlet is wired properly. Motor must run at 208/230 VAC.   |

## LIFT LOWERS SLOWLY OR NOT AT ALL

### **POSSIBLE CAUSE**

1. Cylinders binding, (1)
2. Release valve clogged, (5,4,2,3)
3. Pressure fitting too long, (6)

### **REMEDY**

- | <b>REMEDY</b>                                       | <b>INSTRUCTION</b>   |
|---|--|
| 1. See Installation Manual . . . . .                | Contact BendPak Customer Support.  |
| 2. Replace with new part . . . . .                  | Replace with new part.   |
| 3. Return for repair . . . . .                      | Return for repair.   |
| 4. Check oil. . . . .                               | Use clean 10-WT hydraulic oil or Dexron automatic transmission fluid only. If ATF is contaminated, replace with clean ATF and clean entire system. |
| 5. Clean release valve . . . . .                    | Wash release valve in solvent and blow out with air.   |
| 6. Replace fitting with short thread lead . . . . . | Replace fitting with short thread lead.  |

## WILL NOT RAISE LOADED LIFT

### **POSSIBLE CAUSE**

1. Air in oil, (1,2,3,4)
2. Cylinder binding, (5)
3. Cylinder leaks internally, (5)
4. Lift overloaded, (6,5)
5. Lowering valve leaks, (7,8,1,5,9)
6. Motor runs backwards, (10,12,9)
7. Pump damaged, (5,9)
8. Pump won't prime, (1,2,3,4,5,11,9)
9. Relief valve leaks, (8,5,9)
10. Voltage to motor incorrect, (10,12,5)

### **REMEDY**

- |  |  |
|--|--|
| 1. Check oil level . . . . .                       | The oil level should be up to the bleed screw in the reservoir with the lift all the way down. |
| 2. Check/Tighten inlet tubes . . . . .             | Replace inlet hose assembly.   |
| 3. Oil seal damaged or cocked . . . . .            | Replace oil seal and install.  |
| 4. Bleed cylinders . . . . .                       | See Installation Manual.   |
| 5. See Installation Manual . . . . .               | Contact BendPak Customer Support.  |
| 6. Check vehicle weight . . . . .                  | Compare weight of vehicle to weight limit of the lift.   |
| 7. Flush release valve . . . . .                   | Hold release handle down and start unit allowing it to run for 15 seconds.                     |
| 8. Replace with new part . . . . .                 | Replace with new part.   |
| 9. Return unit for repair . . . . .                | Return unit for repair.  |
| 10. Check motor is wired correctly . . . . .       | Compare wiring of motor to electrical diagram on power unit drawing.                           |
| 11. Inlet screen clogged . . . . .                 | Clean inlet screen or replace.   |
| 12. Check wall outlet voltage and wiring . . . . . | Make sure unit and wall outlet is wired properly.  |

### **INSTRUCTION**

## **IMPORTANT**

If vehicle becomes stranded in the air, follow all operation instructions as shown on pages 26 - 34. If after observing that all mechanical locks are released and the lift still fails move following all standard operating procedures, immediately stop using the lift and contact factory or factory approved service center for further instructions.

# LIFT WILL NOT STAY UP

## POSSIBLE CAUSE

1. Air in oil, (1,2,3)
2. Check valve leaks, (6)
3. Cylinders leak internally, (7)
4. Lowering valve leaks, (4,5,1,7,6)
5. Leaking fittings, (8)




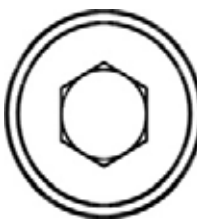
## REMEDY

1. Check oil level . . . . .
2. Oil seal damaged and cocked . . . . .
3. Bleed cylinder . . . . .
4. Flush release valve . . . . .
5. Replace with new valve . . . . .
6. Return unit for repair . . . . .
7. See Installation Manual . . . . .
8. Check complete hydraulic system for leaks. . . . .

## INSTRUCTION

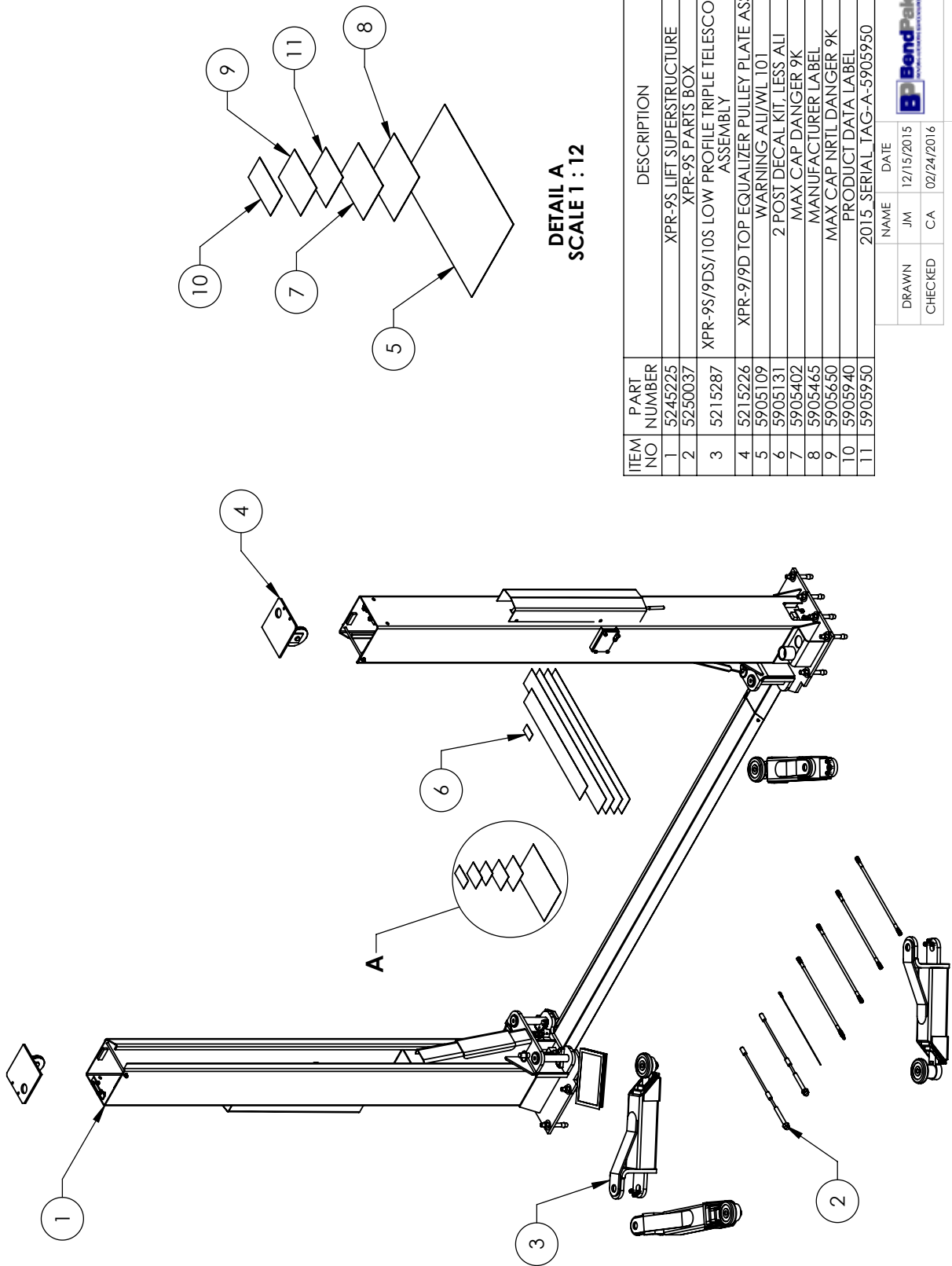
- The oil level should be up to the bleed screw in the reservoir with the lift all the way down.
- Replace oil seal around pump shaft.
- Refer to Installation Manual.
- Hold release handle down and start unit allowing it to run for 15 seconds.
- Replace with new valve.
- Return unit for repair.
- Contact BendPak Customer Support.
- Tighten all hydraulics fittings and inspects all hoses.

## Torque Recommendations

VALUES ARE STATED IN FOOT POUNDS (ft-lb)					
					
		SAE 0-1-2	SAE Grade 5	SAE Grade 8	SOCKET HEAD CAP SCREW
		CLASS 4.8	CLASS 8.8	CLASS 10.9	CLASS 12.9
Bolt Size (SAE)	Bolt Size (Metric)				
1/4-20	M6 x 1.0	6	10	14	13
5/16-18	M8 x 1.25	12	19	29	31.4
3/8-16	M10 x 1.50	20	33	47	62
7/16-14		32	54	78	
1/2-13	M12 x 1.75	47	78	119	108
9/16-12	M14 x 2.00	69	114	169	173
5/8-11	M16 x 2.00	96	154	230	269
3/4-10	M18 x 2.50	155	257	380	372
7/8-9	M22 x 2.50	206	382	600	716
3/4 Anchor Bolts		75 MIN 110 MAX			







**DETAIL A**  
**SCALE 1 : 12**

ITEM NO	PART NUMBER	DESCRIPTION	QTY	REV
1	5245225	XPR-9S LIFT SUPERSTRUCTURE	1	P
2	5250037	XPR-9S PARTS BOX	1	A
3	5215287	XPR-9S/9DS/10S LOW PROFILE TRIPLE TELESCOPING ARM ASSEMBLY	4	C
4	5215226	XPR-9/9D TOP EQUALIZER PULLEY PLATE ASSEMBLY	2	J
5	5905109	WARNING ALI/WL 101	1	--
6	5905131	2 POST DECAL KIT, LESS ALI	1	C
7	5905402	MAX CAP DANGER 9K	1	--
8	5905465	MANUFACTURER LABEL	1	--
9	5905650	MAX CAP NRTL DANGER 9K	1	--
10	5905940	PRODUCT DATA LABEL	1	--
11	5905950	2015 SERIAL TAG-A-5905950	1	--

NAME	DATE
DRAWN JM	12/15/2015
CHECKED CA	02/24/2016

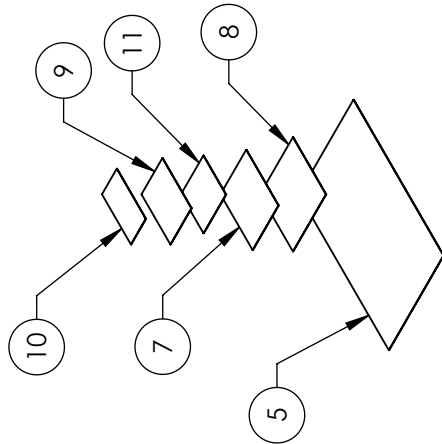
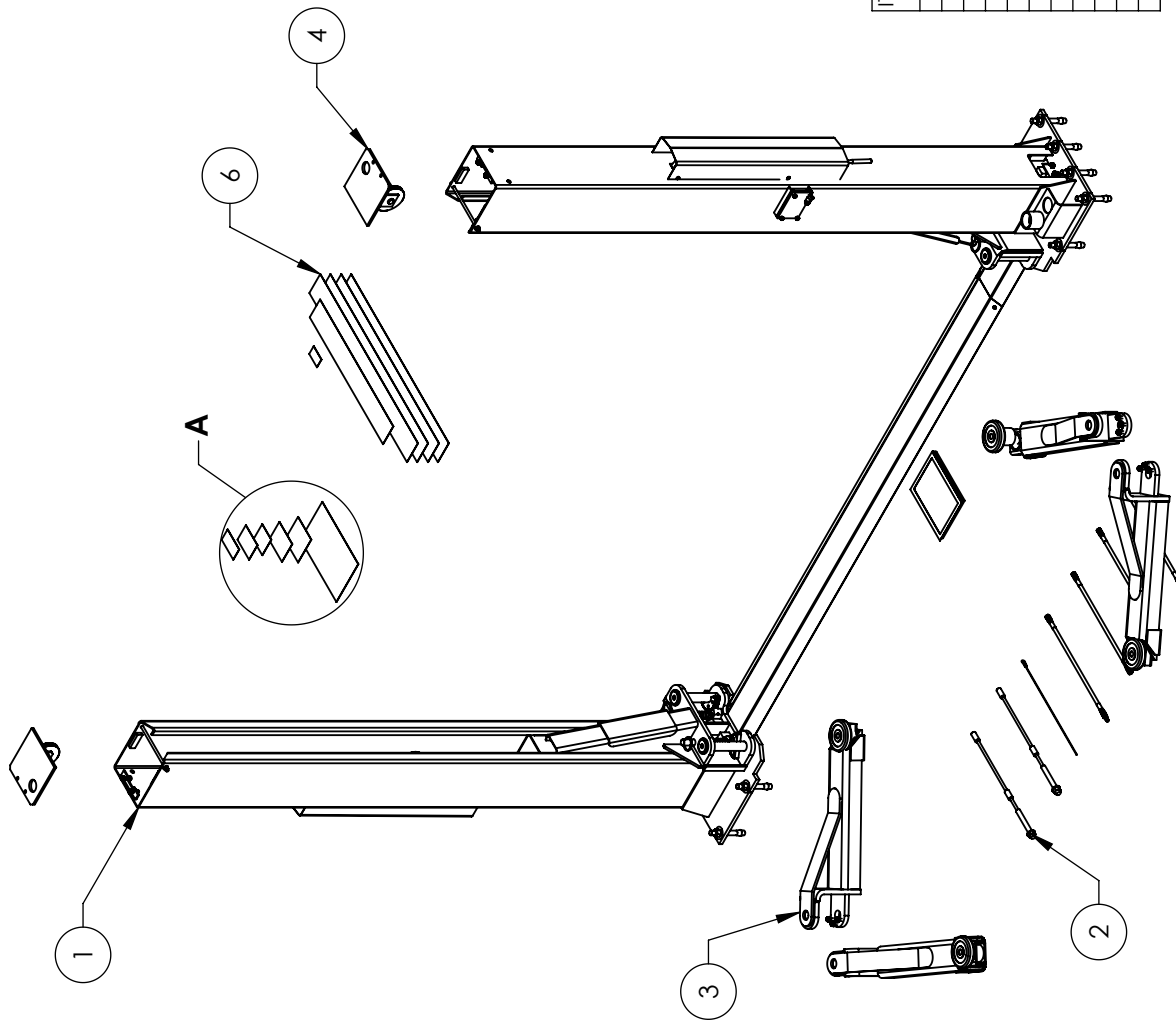


TITLE: XPR-9TS PRODUCTION  
LIFT VER E

SIZE DWG. NO. **A** 5260553 REV **A**

SCALE: 1:30 SHEET 1 OF 2





**DETAIL A**  
**SCALE 1 : 12**

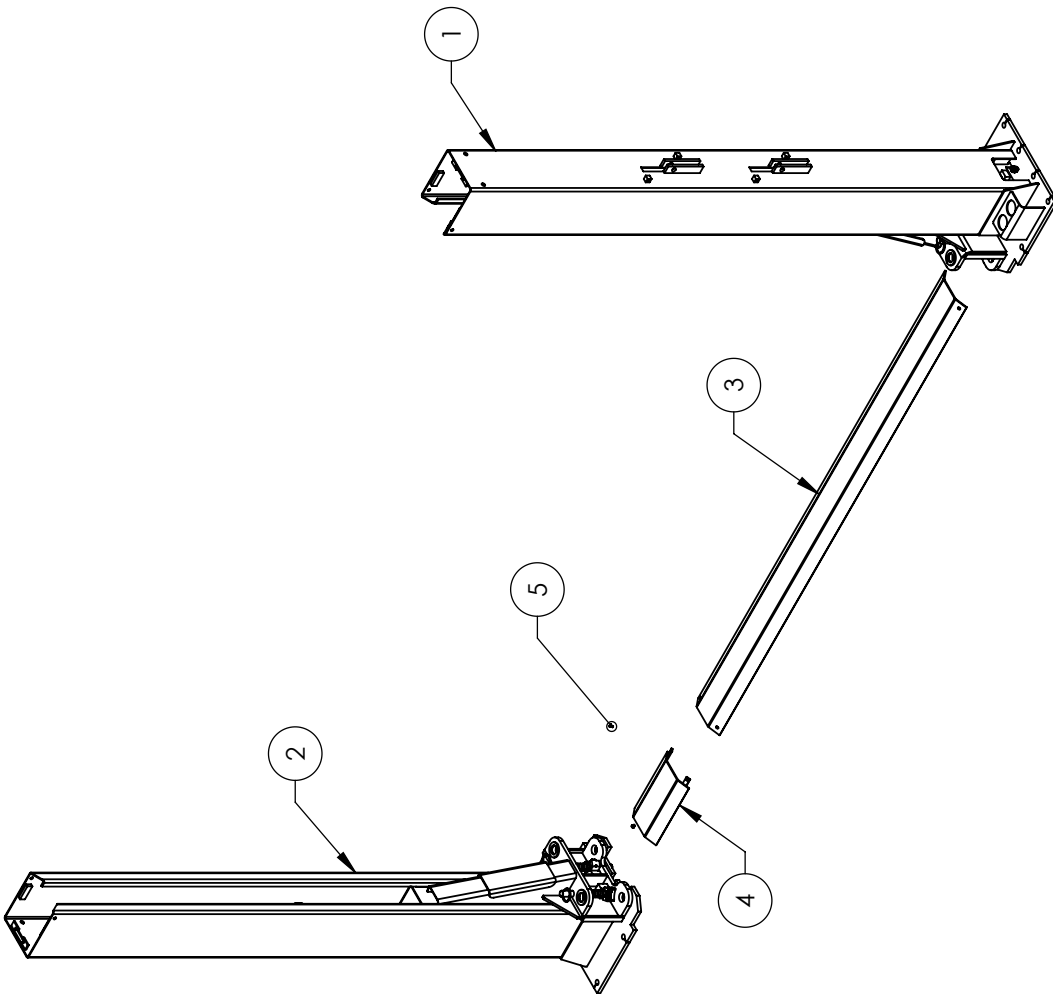
ITEM NO	PART NUMBER	DESCRIPTION	QTY	REV
1	5245225	XPR-9S LIFT SUPERSTRUCTURE	1	P
2	5250037	XPR-9S PARTS BOX	1	A
3	5215274	XPR-9S/9DS/10S-LP MEDIUM ARM ASSEMBLY	4	C
4	5215226	XPR-9/9D TOP EQUALIZER PULLEY PLATE ASSEMBLY	2	J
5	5905109	WARNING ALI/W/L 101	1	---
6	5905131	2 POST DECAL KIT, LESS ALI	1	C
7	5905402	MAX CAP DANGER 9K	1	---
8	5905465	MANUFACTURER LABEL	1	---
9	5905650	MAX CAP NRTL DANGER 9K	1	---
10	5905940	PRODUCT DATA LABEL	1	---
11	5905950	2015 SERIAL TAG-A-9905950	1	---

DATE  
12/15/2015  
02/24/2016

**BendPak**  
1645 LEMONWOOD DR.  
SANTA PAULA, CA 93060

TITLE:  
**XPR-9S-LP PRODUCTION  
LIFT VER E**

SIZE DWG. NO. **A** 5260557 REV **A**



ITEM NO	PART NUMBER	DESCRIPTION	QTY	REV
1	5215391	XPR-9S OFF SIDE POST ASSEMBLY	1	P
2	5215392	XPR-9S POWER SIDE POST ASSEMBLY	1	P
3	5210018	XPR-9 GROUND PLATE	1	D
4	5600510	XPR-9 FLOORPLATE EXTENSION WELDMENT	1	A
5	5530079	BPHS M6 X1.0X10	2	-

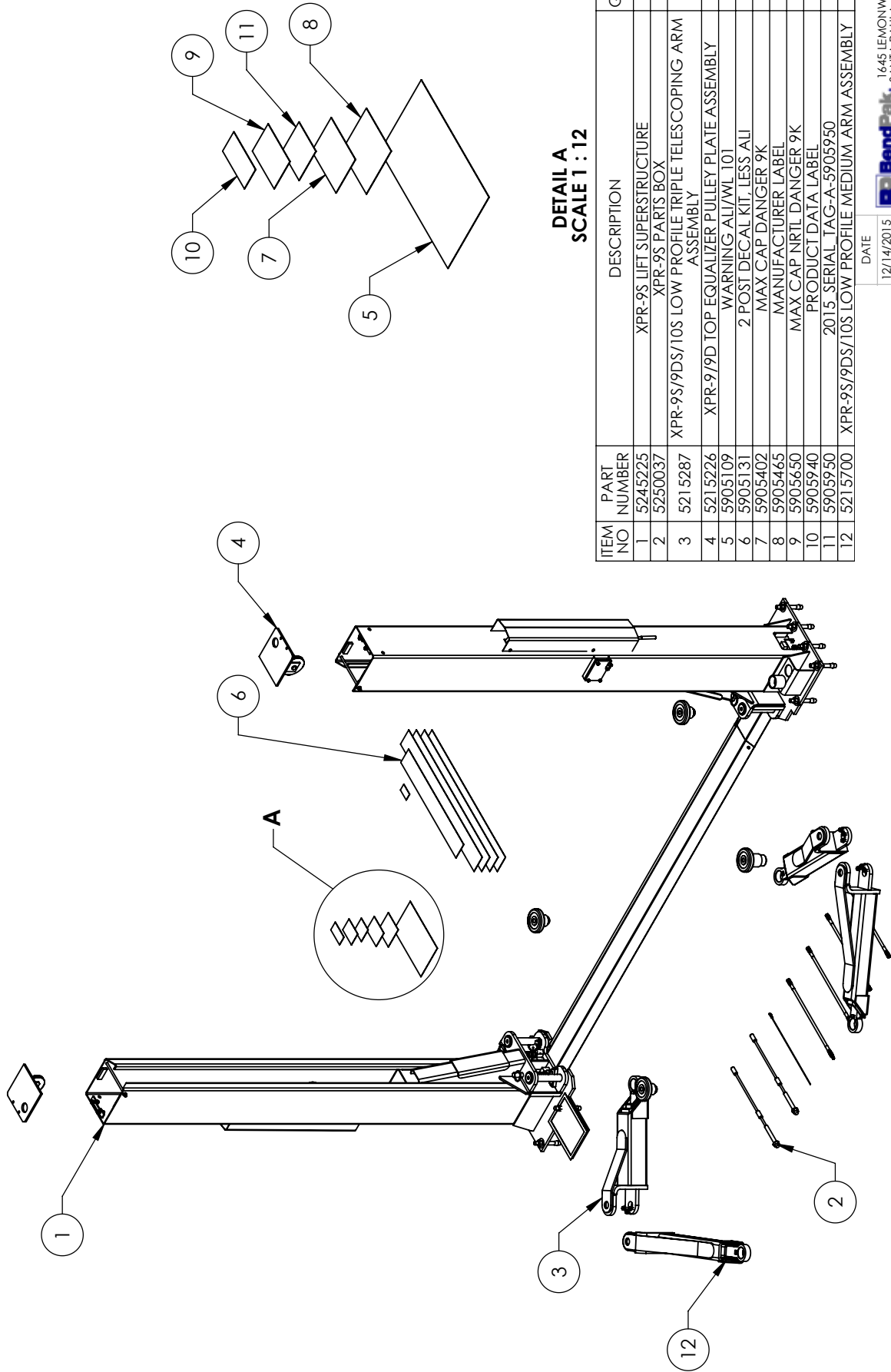
DO NOT SCALE DRAWING

NAME	DATE
TM	08/31/2010



TITLE: XPR-9S LIFT SUPERSTRUCTURE

SIZE	DWG. NO.	REV
A	5245225	P



**DETAIL A**  
**SCALE 1 : 12**

ITEM NO	PART NUMBER	DESCRIPTION	QTY	REV
1	5245225	XPR-9S LIFT SUPERSTRUCTURE	1	P
2	5250037	XPR-9S PARTS BOX	1	A
3	5215287	XPR-9S/9DS/10S LOW PROFILE TRIPLE TELESCOPING ARM ASSEMBLY	2	C
4	5215226	XPR-9/9D TOP EQUALIZER PULLEY PLATE ASSEMBLY	2	J
5	5905109	WARNING ALI/WL 101	1	--
6	5905131	2 POST DECAL KIT, LESS ALI	1	C
7	5905402	MAX CAP DANGER 9K	1	--
8	5905465	MANUFACTURER LABEL	1	--
9	5905650	MAX CAP NRTL DANGER 9K	1	--
10	5905940	PRODUCT DATA LABEL	1	--
11	5905950	2015 SERIAL TAG-A-5905950	1	--
12	5215700	XPR-9S/9DS/10S LOW PROFILE MEDIUM ARM ASSEMBLY	2	C

DATE  
12/14/2015  
02/24/2016

**BendPak**  
1645 LEMONWOOD DR.  
SANTA PAULA, CA 93060

TITLE: XPR-9S PRODUCTION  
LIFT VER E

SIZE DWG. NO. **A** 5260558 REV **A**

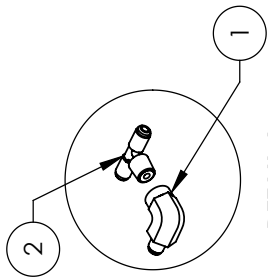
SCALE: 1:30 SHEET 1 OF 2



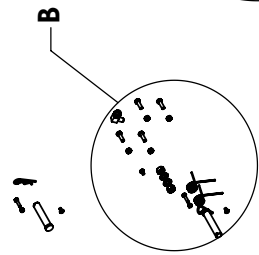
ITEM NO.	PART NUMBER	DESCRIPTION	QTY	REV
1	5174215	XPR-9 PARTS BAG	1	J
2	5215704	ROUND ADJUSTABLE LIFT PAD ASSEMBLY	4	B
3	5701214	RFL-8000 XPR-9 SAFETY CLOSURE COVER	2	F
4	5570104	SP-6FR XPR-9 HYDRAULIC HOSE ASSY Ø6.35 x 2985mm DS	1	D
5	5570103	XPR-9 HYDRAULIC HOSE ASSY Ø6.35 x 1359mm DS	2	E
6	5570176	XPR-9D/10 HYDRAULIC HOSE EXTENSION ASSY Ø6.35 x 330mm DS	1	D
7	5550095	FIG NPL-04 JIC x-04 JIC	1	-
8	5595359	XPR-9 EQUALIZER CABLE ASSEMBLY Ø10 x 9507mm DBST	2	B
9	5595161	XPR-9 Ø2.4mm x 6400 SAFETY CABLE	1	E
10	5505116	XPR-9/10 LIFT HEAD PIN WELDMENT	4	D
11	5540281	C RING Ø38mm OD 5103-150	4	A
12	5715003	POWER UNIT VIBRATION DAMPENER	1	B
13	5731121	XPR-9 SAFETY LINKAGE BAR	2	F
14	5600370	XPR-9 SAFETY WELDMENT #1	1	J
15	5600372	XPR-9 SAFETY WELDMENT #3	2	G
16	5600371	XPR-9 SAFETY WELDMENT #2	1	H
17	5545342	WASHER M18 FLAT	2	-
18	5535358	NUT M18 x 2.5 NL	2	-
19	5736604	TWO POST LIGHT DUTY BOLT ON ARM RESTRAINT GEAR	4	E
20	5746167	DOUBLE THREADED ROD M10 x 1.5 x 27.5	2	B
21	5530307	AB 3/4" x 5"	12	-
22	5905151	SAFETY TIPS CARD ALI-ST 90	1	-
23	5900147	SAFETY MANUAL ALI/SM 93-1	1	-
24	5900152	ALIGN OJM OPERATION INSPECTION & MAINTENANCE	1	-
25	5900280	ALI/FP FRAME ENGAGING LIFTS GUIDE	1	-
26	5900048	XPR-9 INSTALLATION MANUAL	1	-
27	5746192	ARM ADAPTER, MEDIUM	4	C

DATE: 12/15/2015  
 1645 LEMONWOOD DR.  
 BENDPAK SANTA PAULA, CA 93060

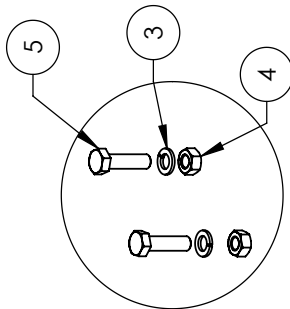
TITLE: XPR-9S PARTS BOX  
 SIZE DWG. NO. A 5250037  
 REV A



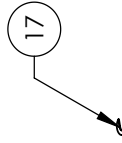
DETAIL A  
SCALE 1:5



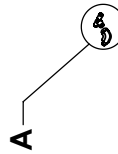
B



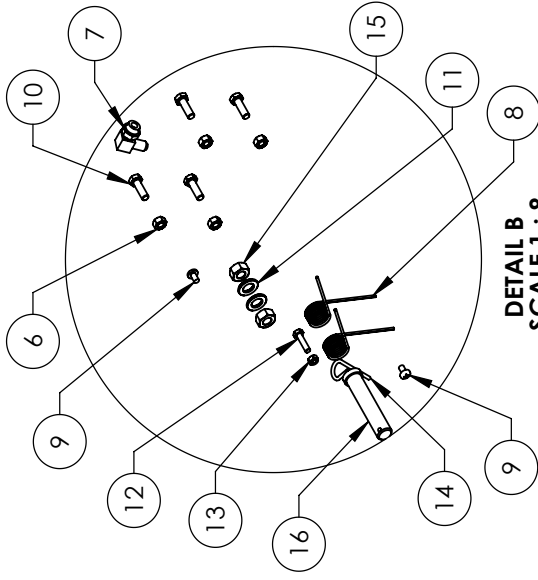
DETAIL C  
SCALE 1:5



17



A



DETAIL B  
SCALE 1:8

ITEM NO.	PART NUMBER	DESCRIPTION	QTY	REV
1	5550153	FIG E1B -04 NPT F x-04 JIC	1	-
2	5550181	FIG T1E -04 JIC x-04 JIC x-04 NPT	1	-
3	5545200	WASHER M10 x Ø18 SL	4	-
4	5535998	NUT M10 x 1.5	4	-
5	5530760	HEX HEAD BOLT M10x1.25x35	4	-
6	5535001	NUT M8 x 1.25 NL	4	-
7	5550103	FIG E1B -04 JIC -06 ORB	1	-
8	5540075	2.5 WIRE DIA., Ø20.5 x 7.5 LG	4	A
9	5530261	PHB M6 x 1 x 10	8	-
10	5530010	PHB M8 x 1.25 x 25	4	-
11	5545347	WASHER M12 FLAT WASHER	2	-
12	5530756	HHB M6 x 1 x 25	4	-
13	5535357	NUT M6 x 1.0 NL	4	-
14	5505350	MODEL #211 HAIR PIN/ LARGE	4	-
15	5535354	NUT M12 x 1.75	2	-
16	5505001	GP-7/PL-6000/XPR SERIES SAFETY CLEVIS PIN	4	A
17	5545535	C WASHER SHIM FOR LIFTS	20	-
18	5535013	NUT M10 x 1.5 NL	4	-
19	5545341	WASHER M10 x Ø20 FLAT	4	-
20	5505031	ROTOR CLIP 12mm SS	1	-

DATE

11/20/2009

02/19/2016

**BendPak**  
1645 LEMONWOOD DR.  
SANTA PAULA, CA 93060

TITLE: XPR-9 PARTS BAG

SIZE DWG. NO. A 5174215

REV J

## Declaration of Conformity

The equipment which accompanies this declaration is in conformity with EU Directive:  
2006/42/EC Machinery Directive

### Manufacturer

Bendpak Inc.  
1645 Lemonwood Dr  
Santa Paula Ca, 93080  
USA

A copy of the Technical file for this equipment is available from:  
CCQS UK Ltd., Level 7, Westgate House, Westgate Rd., London W5 1YY UK

### Description of Equipment

Two-Column Vehicle Service Lift

XPR-9S/ 9K 4062 kg (9000 lb) capac. Floorplate / Chain / Shorty / Adjustable Width Serial numbers 5175390-00000 to 99999-99999-99999  
XPR-9S-LP9K 4062 kg (9000 lb) capac. Floorplate / Chain / Shorty / Adjustable Width Serial numbers 5175391-00000 to 99999-99999-99999  
XPR-9TS/9K 4062 kg (9000 lb) capac. Floorplate / Chain / Shorty / Adjustable Width Serial numbers 5175392-00000 to 99999-99999-99999

A sample of this machinery has been presented to Notified Body number 1105.

CCQS UK Ltd., Level 7, Westgate House, Westgate Rd., London W5 1YY UK

Who have issued an EC type-examination certificate number CE-GB-20150427-01-5A dated 2015.12.10.

The equipment in respect of which this declaration is made conforms to the example to which that certificate relates, and that certificate remains valid.

This declaration of conformity is issued under the sole responsibility of the manufacturer.

The following harmonised standards have been used:-  
EN1483:2010 Vehicle Lifts

Authorised signatory of manufacturer



Signature:

Name of signatory: Jeffrey S. Kritzer

Position in company: Senior Vice President of Marketing and Sales

Place signed: Santa Paula, CA, USA

Date signed: February 8, 2016



# EC Type-Examination Certificate

(Fm 210-017, Rev.10)

For the requirements of the Machinery Directive 2006/42/EC  
For Annex IV machinery

**Certificate No.:** CE-C-20120209-01-09-5D  
**Date of first issue:** 2014.01.27  
**Date of last review:** 2019.01.27  
**Date of next review:** 2024.01.26

**NAME AND ADDRESS OF THE MANUFACTURER:** Bendpak Inc.  
1645 E. Lemonwood Drive, Santa Paula, CA, United States of America

**PRODUCT DESCRIPTION/ TYPE AND MODEL:** Range of 9,000lb (4082kg) 2 post vehicle servicing lift Floor plate (bottom bar) Chain drive  
XPR-9S 112H x 132/145W x 72 Lift in  
XPR-9S-LP 112H x 132/145W x 72 Lift in  
XPR-9TS 112H x 132/145W x 72 Lift in

**APPLICABLE STANDARDS:** EN1493:2010 Vehicle Lifts  
EN 60204-1:2006+A1:2009 Safety of machinery - Electrical equipment of machines - Part1:General requirements

**A COPY IS AVAILABLE FROM:** CCQS UK Ltd., 5 Harbour Exchange, London, E14 9GE, UK

**RE-ISSUE HISTORY**  
CE-C-20120209-01-09-5A first issue  
CE-C-20120209-01-09-5B reissued renamed XPR range  
CE-C-20120209-01-09-5C reissued for modified template  
CE-C-20120209-01-09-5D This issue – 5 year review No changes

*The technical file, accompanying documentation and the equipment which they describe have been found to be in compliance with the requirements of the Machinery Directive 2006/42/EC.*

*The responsible person defined above has responsibility for ensuring that all future serial manufacture of the machinery conforms to the sample submitted for EC type-examination referenced above.*

*Any changes to the design of the machinery certified here must be advised to CCQS UK Ltd. for re-assessment.*

*A CE marking should not be fixed to the equipment until the requirements of all relevant directives have been met.*

**Approved by:** Owen Bian – Office Manager

**Date:** 2019.01.27

Appointed by UK Government  
as a Notified Body  
for CE Marking No. 1105

**CCQS UK Ltd.,**  
5 Harbour Exchange, Canary Wharf,  
London, E14 9GE, UK  
Tel: +44 (0) 20 7868 1509  
Email [info@ccqs.co.uk](mailto:info@ccqs.co.uk)  
If in any doubt about the integrity of this certificate,  
please verify it on our website at  
<http://www.ccqs.co.uk>





1645 Lemonwood Dr. • Santa Paula, CA. 93060, USA  
Toll Free: 1(800) 253-2363

**FOR TECHNICAL SUPPORT**  
1-(800) 253-2363 Ext. 196  
**TO ORDER PARTS**  
1-(800) 253-2363 Ext. 191