



SpeedCut[™] System

Saw Chain and Guide Bars

**A BETTER SAW
STARTS HERE.**





YOUR PRIDE IS OUR FOCUS

You work hard every day to take care of your customers and keep your business moving forward.

At Oregon®, we're working just as hard to provide you with the right products, marketing and support to help you meet your goals – today and tomorrow.

With this in mind, we're updating the look and feel of our Oregon brand as a re-commitment to the business values and strategies that have helped us succeed together for over 70 years. This more contemporary and customer-centered brand approach will ensure that together we continue to be the industry leader in helping our customers get their job done right.

Over the next 12 months you'll see this updated global brand identity rollout online and in product packaging, merchandising and communications. We welcome your feedback, and look forward to achieving even greater success together in the future.

**A BETTER SAW
STARTS HERE.**



David Gérard

“If I was a Blount engineer I would develop a guide bar from a material that was stronger and longer lasting.”

“A chain that cuts faster makes my chainsaw consume less fuel, and leaves me less tired at the end of the day: I’m doing the same job with less effort.”



Daniel Arnould

“The most important thing is to have a sharper chain that is easier to maintain.”

“A chain that stays sharp for longer is important, so that I do not waste my time in sharpening.”



Stéphane Rensonnet

“I need a chain that cuts faster to work more productively.”

“I want to minimise the time I spend sharpening.”

“As technology is improving chainsaws are getting lighter and lighter, so it is important to use a lighter guide bar.”

**A BETTER SAW
STARTS HERE.**



The **NEW** generation
narrow-kerf cutting system...

NEW

SpeedCut™ .325 Saw Chain

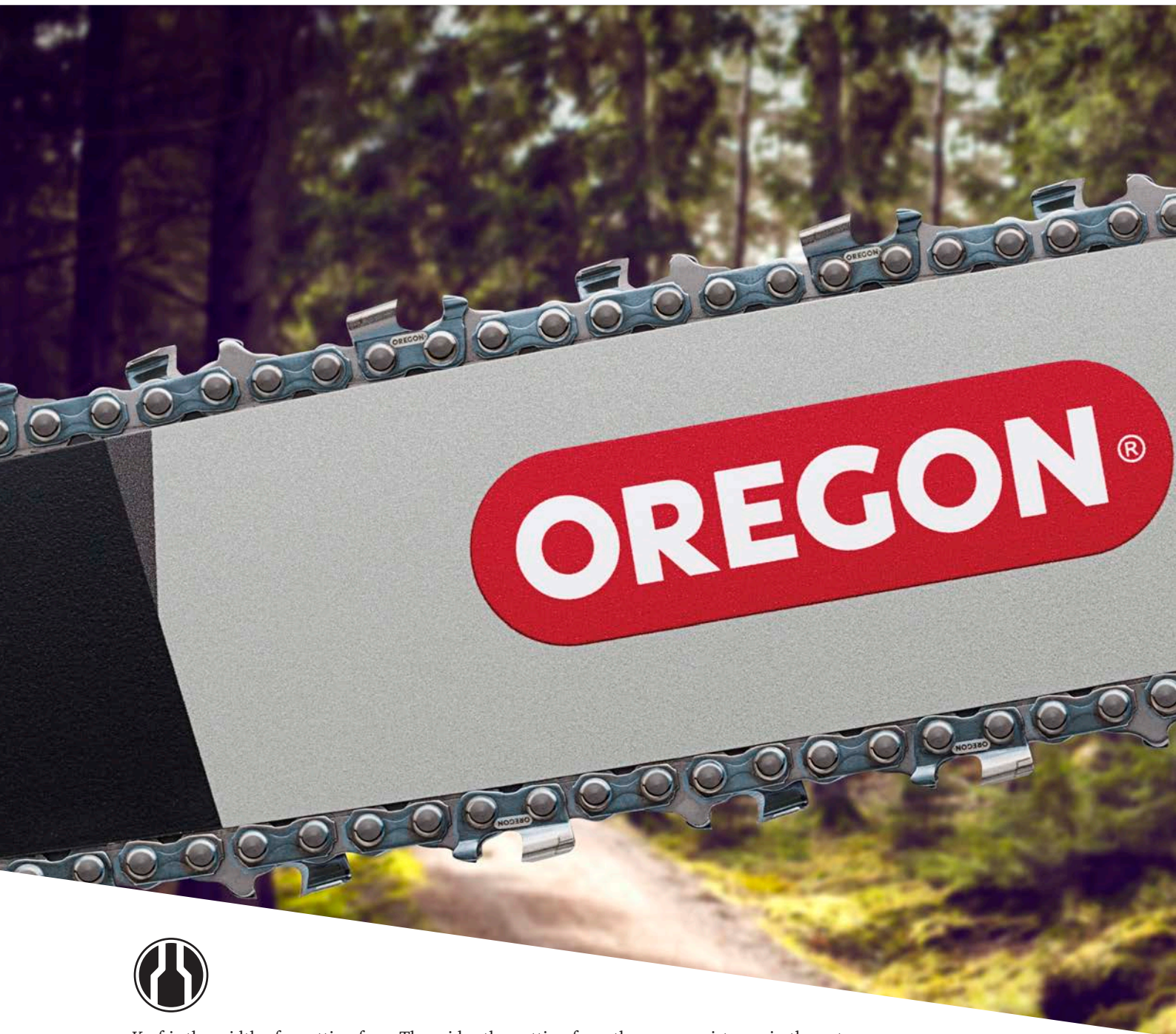
+

NEW

SpeedCut™ .325 Guide Bar

FASTER ✓ SHARPER ✓ EASIER ✓

LIGHTER ✓ STRONGER ✓ LONGER-LASTING ✓

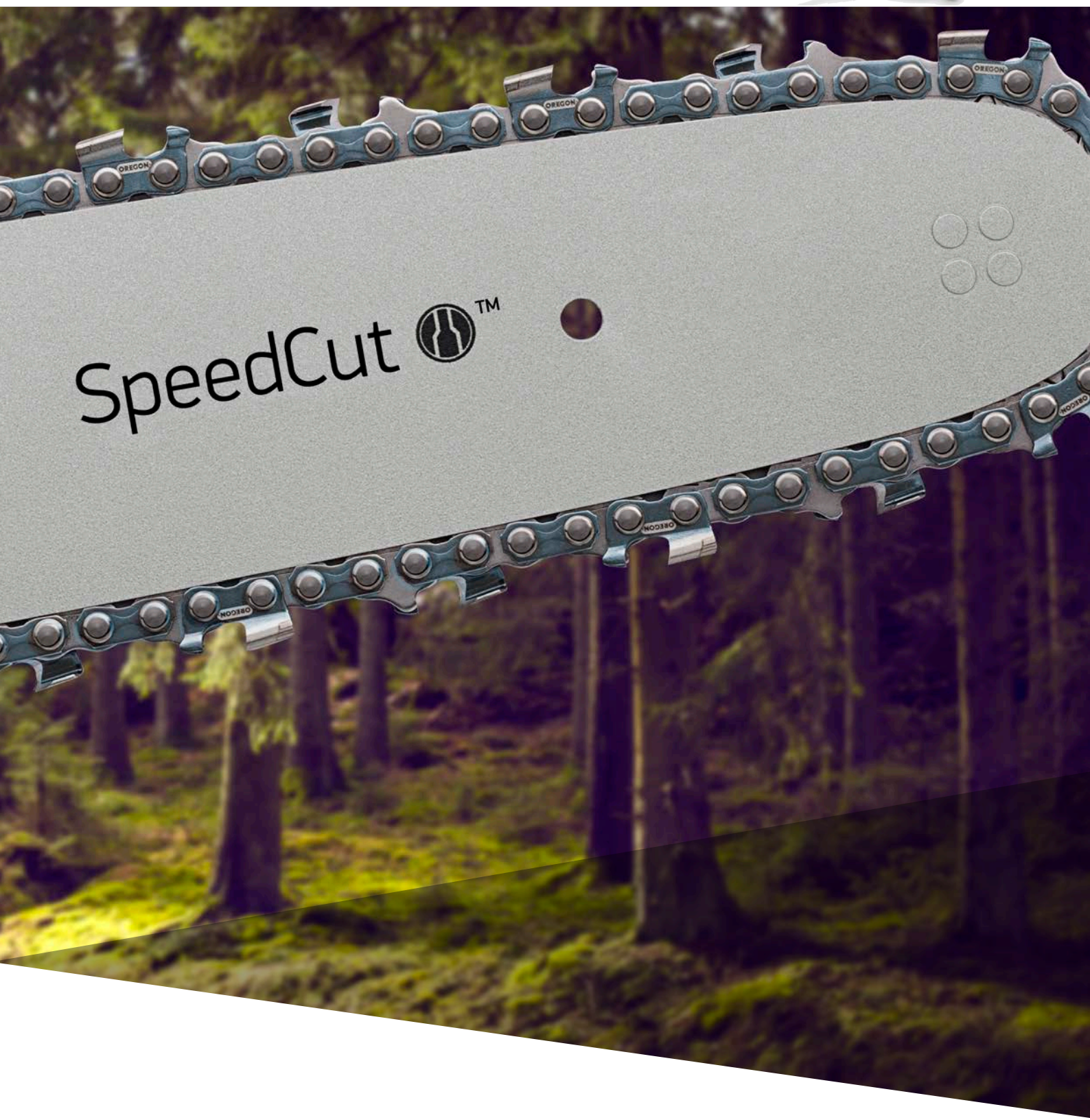


Kerf is the width of a cutting face. The wider the cutting face, the more resistance in the cut. By creating a narrow cutting face, SpeedCut™ saw chain is able to move through the cut faster than a standard kerf chain. Look for the narrow-kerf icon for saw chain and guide bar compatibility.

The SpeedCut™ system is designed to deliver faster cutting and reduced weight when compared with standard cutting systems. Optimized for saws under 55cc displacement.



SpeedCut ™ System



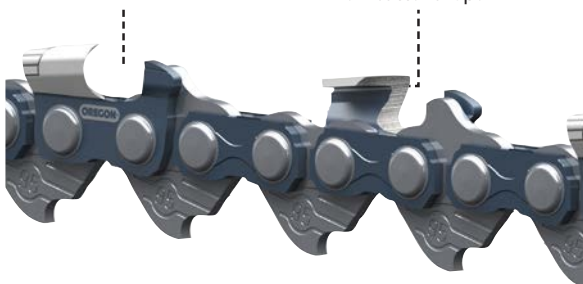
**A BETTER SAW
STARTS HERE.**



NEW cutter design

Higher cutting efficiency through better chip flow*

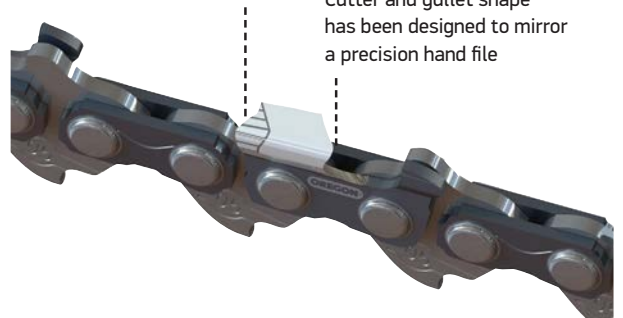
Increased cutting speed from new cutter shape*



Improved filing experience*

Laser-marked filing angles and end-of-life indicator

Cutter and gullet shape has been designed to mirror a precision hand file





SpeedCut ™ .325 Saw Chain



95TXL** chain

Oregon's best out-of-box experience



FASTER ✓

More speed,
less effort

With reshaped cutter
and narrow kerf design

SHARPER ✓

Sharp and ready
right out of the box

Thanks to new cutter design and
grind technology

EASIER ✓

Cutting surface that
stays sharp longer

Increased uptime with easy-to-file
cutter shape that stays sharp longer



LubriTec™
OILING SYSTEM

NEW improved lubrication design



Extends life of saw chain
and guide bar cutting system

Less friction increases
saw chain efficiency



Additional improvements

- **Improved rust prevention:**
Higher-rated oil applied to saw chain after assembly.
- **Improved quality fit and finish:**
Increased quality of saw chain stability - decreased risk of thrown saw chain. Reduces guide bar wear.
- **New grinding technology**
For a superior edge sharpness and improved consistency.

* When compared to Oregon 95VPX saw chain

** NEW Oregon 95TXL saw chain is replacing Oregon 95VPX saw chain

**A BETTER SAW
STARTS HERE.**



NEW improved lubrication design

LubriTec™ provides optimized oil delivery

NEW Longer rail life*

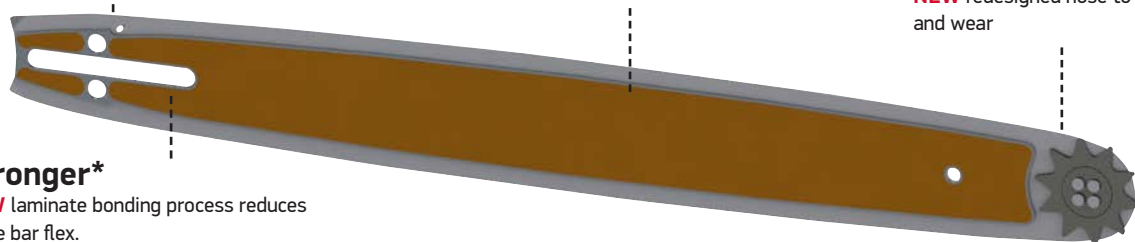
Improved material and heat treat process for increased durability

More robust nose

NEW redesigned nose to resist spreading and wear

Stronger*

NEW laminate bonding process reduces guide bar flex.





SpeedCut ™ .325 Guide Bar



NEW Light-weight

Professional Guide Bar**

LIGHTER ✓

Easy handling with less effort

Because of advanced aluminium alloy core

STRONGER ✓

Exceptional rigidity and control

From new aerospace bonding technology

LONGER-LASTING ✓

Greater durability

From new reengineered nose and harder guide bar rails



NEW design platform

NEW UV paint process

- No paint in guide bar groove
- Accurate gauge through life



Lighter*

NEW aluminum core

* When compared to Oregon Pro-Lite® guide bars

** NEW Oregon light-weight professional guide bars are replacing Oregon Pro-Lite® guide bars



A BETTER SAW STARTS HERE.

The story behind BETTER ...

At Oregon, it's not about what we make, it's about what our customers accomplish.

You take pride in your work. Oregon takes pride in making sure you have the tools you need to do the job right.

Professional loggers, landscapers and homeowners around the world depend on our products because they work smarter, last longer and perform better. You can count on them for a job well done.



Eric Burmester
Engineering Manager

“ I'm Eric Burmester. I'm the engineering manager for Oregon Forestry Products.

We really wanted it all. We wanted a lighter product as well as one that was both stiffer and stronger. While the guide bar looks basically the same, just about every single material and subcomponent that goes into it is completely new.

What makes the bar **LIGHTER** is essentially the replacement of the core steel laminate with a Light-weight aluminum alloy, which is really important for the customer because they don't have to lug around as much weight, they're less fatigued at the end of the day.

With the adhesively bonded guide bar, we have contact between all of the components of the bar throughout the entire surface, which allows us to be significantly **STRONGER** and stiffer, using Light-weight materials.

We've consulted with some industry experts in the bearing arena and found that, with the application of some improved materials, tolerances, and some specific manufacturing processes, we can significantly **EXTEND THE LIFE** of our nose components.”



Sam Hutsell
Product Design Engineer

“ My name is Sam Hutsell, and I'm a product design engineer for Oregon Saw Chain.

With this project, we set out to take one of our premier saw chains and make it even better. What that means for the end user is it'll cut faster, give them more uptime, and ultimately lead to a more productive workday.

As we approached the engineering, we realized very quickly we would not only have to reengineer the chain itself but completely reinvent the way we manufacture that chain.

At the heart of the redesigned chain is a reshaped cutter. It gets cut wood out of the way **FASTER** so you're not recutting wood chips.

To create this new cutter, we had to reinvent the process and machinery used to grind the cutting surface. The result is a chain that works more efficiently and is **SHARPER** out of the box every time...

We've matched the cutting surface to the file so that the chain is **EASIER** for the user to sharpen. And we've optimized the cutting angle so that chain stays sharper longer.”





Check out the Oregon SpeedCut  challenge !



OregonSpeedCut.com

Oregon® is a registered trademark of Blount, Inc. All the other marks are the property of their respective owners.





New packaging

We're updating the look and feel of our Oregon product packaging to a more customer-centered approach.

Over the next 12 months you'll see this updated product packaging rollout. This new packaging is designed to deliver:

- Improved Product visibility
- Improved Product Information
- Improved Ease of Fit-Up
- Improved Shelf Presence

Packaging configurations





Product Range / Availability

Light-weight Professional Bars



Speedcut™		
	SPRING 2016	SUMMER 2016
Length	.325-10	.325-12
13"	X	X
15"	X	X
16"	X	X
18"	X	X
20"	X	-

.325 SpeedCut™ saw chains



SPRING 2016		
Length	P/N	P/N replaced
100ft	95TXL100R	95VPX100R
25ft	95TXL025R	95VPX025R
56dl	95TXL056E	95VPX056E
62dl	95TXL062E	95VPX062E
63dl	95TXL063E	95VPX063E
64dl	95TXL064E	95VPX064E
66dl	95TXL066E	95VPX066E
67dl	95TXL067E	95VPX067E
68dl	95TXL068E	95VPX068E
72dl	95TXL072E	95VPX072E
74dl	95TXL074E	95VPX074E
78dl	95TXL078E	95VPX078E
80dl	95TXL080E	95VPX080E

.325 SpeedCut™ saw chains Premium display packs



SPRING 2016		
DL count	P/N	P/N replaced
56	Q95TXL056E	Q95VP056E
64	Q95TXL064E	Q95VP064E
66	Q95TXL066E	Q95VP066E
72	Q95TXL072E	Q95VP072E

.325 SpeedCut™ saw chain parts



SPRING 2016		
Description	P/N	P/N replaced
SpeedCut™ Left Hand Cutter, 25 Pack	P575972	P101923
SpeedCut™ Right Hand Cutter, 25 Pack	P575973	P101924
SpeedCut™ Tie Strap, 25 Pack	P571847	P100956
SpeedCut™ Preset Tie Strap, 25 Pack	P576686	P101125
SpeedCut™ Drive Link, 25 Pack	P576808	P101024
SpeedCut™ Bumper Drive Link, 25 Pack	P571846	P111509

Twinkpacks



SPRING 2016		
DL count	P/N	P/N replaced
56	576787	564445
64	576788	564452
72	576789	564453

.325 SpeedCut™ guide bar and saw chain combos



Small Nose design combos – 10T						
Length	Motor Mount	Gauge	2x Chain	1x Bar	P/N	
13"	K095	50	95TXL056	130TXLBK095	578707	SPRING 2016
	NEW D025	50	95TXL056	130TXLBD025	578741	
15"	K095	50	95TXL064	150TXLBK095	578708	
16"	NEW A074	50	95TXL062	160TXLBA074	578740	
18"	K095	50	95TXL072	180TXLBK095	578739	
	NEW A074	50	95TXL068	180TXLBA074	578742	
NEW Large Nose design combos – 12T						
13"	NEW K095	50	95TXL056	130TXLGK095	580861	SUMMER 2016
15"	NEW K095	50	95TXL064	150TXLGK095	579812	
	NEW D025	50	95TXL063	150TXLGD025	580862	
18"	NEW K095	50	95TXL072	180TXLGK095	579813	
	NEW D025	50	95TXL074	180TXLGD025	580863	

NEW Upgraded PRO-AM® combos

Small Nose design combos – 10T						
Length	Motor Mount	Gauge	2x Chain	1x Bar	P/N	
13"	K095	50	95TXL056	130MLBK095	581621	SPRING 2016
15"	K095	50	95TXL064	150MLBK095	581620	
16"	K095	50	95TXL072	180MLBK095	581619	



FAQ : SpeedCut™ .325 Saw Chain

1. What types of users is SpeedCut™ System developed for?

The SpeedCut™ .325 saw chain was designed to meet the needs of demanding professional users- arborists, loggers, and rural landowners. Optimized for saws under 55cc engine displacement, the SpeedCut™ .325 saw chain is designed to deliver exceptional cutting speed to maximize productivity on the job.

2. What pitch is SpeedCut™ currently available in?

SpeedCut™ is currently available in .325 pitch only.

3. What is “narrow-kerf” and why does it increase cutting speed?

Kerf is the width of a cutting face. The wider the cutting face, the more resistance in the cut. By creating a narrow cutting face, SpeedCut™ saw chain is able to move through the cut faster than a standard kerf saw chain.

4. Can I put a SpeedCut™ saw chain on a standard kerf guide bar?

SpeedCut™ .325 saw chain features .050 Drive links, which can be used with any .050 Gauge guide bar. However, the saw chain chassis features a narrow-kerf design for less resistance in the cutting material. For best results, Oregon recommends matching a SpeedCut™ saw chain to a Speedcut™, Micro-lite™, or Pixel narrow-kerf guide bar.

5. Why is SpeedCut™ easier to sharpen?

The SpeedCut™ cutter is designed to mirror the shape of a precision hand filed saw chain. The Micro chisel® cutter features a rounded corner for fast cutting and ease of maintenance. The combination of unique cutter shape and extra large gullet (the area between the cutting face and depth gauge) results in a cutter that is exceptionally easy to maintain.

6. Is SpeedCut™ available in a full chisel cutter?

SpeedCut™ is not currently available in a narrow-kerf full chisel cutter. Oregon does offer a full-chisel standard kerf .325 saw chain under the model number 20LPX.

7. Where is SpeedCut™ made?

SpeedCut™ .325 saw chain is made in Canada at our Guelph, Ontario manufacturing facility.

8. What is the recommended filing angle for SpeedCut™ .325 saw chain?

Oregon recommends a 3/16” file with a 35 degree top plate angle. The depth gauge to top plate distance is recommended at .025”.

9. What is Lubritec™?

Lubri-Well™ has been replaced by Lubritec™- Oregon's next-generation oiling system. Lubritec™ is designed to extend guide bar and saw chain life by better directing oil to critical areas of the cutting system- guide bar rails and saw chain rivet joints.

10. What type of steel is SpeedCut™ .325 saw chain made from?

SpeedCut™ .325 saw chain is made from Oregon's exclusive, patented OCS01 steel alloy. OCS01 is designed to deliver superior durability in a wide range of cutting conditions and ambient temperatures.

11. What product does SpeedCut™ .325 saw chain replace?

SpeedCut™ .325 saw chain (95TXL) will replace Oregon's 95VPX series of saw chain.

12. What replacement parts will be available for SpeedCut™ .325 saw chain?

Oregon will offer replacement tie straps & preset tie straps, drive links, and cutters.

13. Is there rust prevention oil on the SpeedCut™ .325 saw chain?

The SpeedCut™ .325 saw chain uses a new type of dry-touch oil for rust prevention. The new oil provides extended corrosion resistance and is easier to handle out of box, in the field.

14. Will SpeedCut™ .325 saw chain be available in all the same packaging configurations as 95VPX?

SpeedCut™ .325 saw chains will be available in comparable retail package configurations to 95VPX.

15. Does SpeedCut™ .325 saw chain include the Vibe-Ban® reduced vibration feature?

SpeedCut™ .325 saw chain includes the Vibe-Ban® feature which is designed to reduce ergonomic vibration by at least 25%.

FAQ : Light-weight Professional Guide Bars

1. What types of users are the Light-weight professional guide bars developed for?

Oregon's offers various types of Light-weight professional guide bars made for different applications.

2. What are the SpeedCut™ guide bars?

SpeedCut™ guide bars feature Oregon's narrow-kerf design technology and are intended to be paired with SpeedCut™ .325 saw chain. The SpeedCut™ system is optimized to provide maximum cutting speed for saws under 55cc displacement.

3. How has Oregon increased nose durability?

Oregon's engineers have redesigned the nose components from the ground-up. New materials, manufacturing processes, and designs combine to produce our best ever sprocket nose. New roller bearings and a debris shim work in unison to reduce friction and retain oil in the system while reducing debris entry.

4. How has Oregon increased rail durability?

Oregon® has combined an enhanced heat treat process with more durable 4150 chromoly steel laminates to create our most durable laminated guide bar rails.

5. How has Oregon made the new professional guide bars lighter and stronger?

Oregon's engineers have utilized technology from the aerospace industry to bond a Light-weight aluminum core to high-strength steel side laminates. The new design architecture delivers the lightest and strongest laminated guide bar we have ever made.

6. What are the benefits of the new paint technology?

A new manufacturing process has been developed to ensure the guide bar groove remain free of paint. Keeping paint out of the guide bar groove allows for a truer chain track, reducing rail wear and chain throw.

7. How does the new Lubritec™ system work?

The Lubritec™ oiling system is designed to direct lubrication to where its needed most. The Lubritec™ angled oil channel is designed to direct lubrication to the chain drive link channels which lift oil to the guide bar rails and chain rivets- reducing guide bar rail wear and extending saw chain life.

8. Where are the new Light-weight professional guide bars made?

Oregon's new Light-weight professional guide bars are made on a new state-of-the-art automated production line at our Fuzhou, China manufacturing facility.

9. What products do Light-weight professional guide bars replace?

Light-weight professional guide bars will replace Pro-Lite® guide bars.

OREGON®



BLOUNT
INTERNATIONAL

Blount Europe SA
Rue Emile Francqui 5 - B-1435 Mont-Saint-Guibert, Belgium
T: +32 (0) 10 30 11 11 - F: +32 (0) 10 30 11 99

BLOUNT EUROPE SA - ALL RIGHTS RESERVED - 2015 - PRINTED IN EU - EN - 4155/15