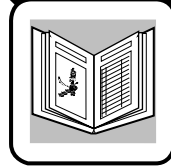


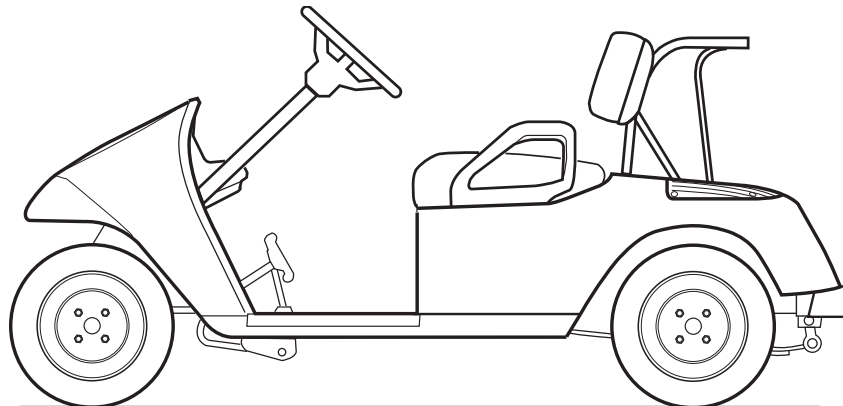
604972



A Textron Company



SERVICE PARTS MANUAL



Ref Fcv 17

ELECTRIC POWERED COASTAL FLEET GOLF CARS

ISSUED APRIL 2006 REVISED DECEMBER 2007

SERVICE PARTS MANUAL

ELECTRIC POWERED COASTAL FLEET GOLF CARS

COASTAL FLEET SERIES GOLF CAR COASTAL FLEET PDS GOLF CAR

STARTING MODEL YEAR 2006+

DISCLAIMER: The E-Z-GO Division of Textron Inc. reserves the right to incorporate engineering and design changes to products in this Manual, without obligation to include these changes on units leased/sold previously.

The information contained in this Manual may be revised periodically by the E-Z-GO Division, and therefore is subject to change without notice. The E-Z-GO Division DISCLAIMS LIABILITY FOR ERRORS IN THIS MANUAL, and the E-Z-GO Division SPECIFICALLY DISCLAIMS LIABILITY FOR INCIDENTAL AND CONSEQUENTIAL DAMAGES resulting from the use of the information and materials in this Manual.

CUSTOMER SERVICE DEPARTMENT IN USA PHONE: 1-800-241-5855 FAX: 1-800-448-8124

OUTSIDE USA PHONE: 001-706-798-4311, FAX: 001-706-771-4609

TEXTRON GOLF, TURF & SPECIALTY PRODUCTS, P.O.BOX 388, AUGUSTA, GEORGIA USA 30903-0388

GENERAL INFORMATION

To obtain a copy of the limited warranty applicable to the vehicle, call or write a local Distributor, authorized Branch or the Warranty Department with vehicle serial number and manufacture date code.

The use of non Original Equipment Manufacturer (OEM) parts may void the warranty.

TABLE OF CONTENTS

SECTION	Page No.
HOW TO USE THE SERVICE PARTS MANUAL	v
ILLUSTRATED PARTS BREAKDOWN	vii
ACCELERATOR	A-1
BATTERY CHARGER - PORTABLE 36 VOLT	B-1
BODY - FRONT	C-1
BODY - MID SECTION	C-5
BODY - REAR	C-7
BODY - ACCESSORIES	C-11
BODY - ACCESSORIES CONTINUED	C-13
BODY - ACCESSORIES CONTINUED	C-15
BRAKES	D-1
DIRECTION SELECTOR	E-1
ELECTRICAL SYSTEM - COMMON	F-1
ELECTRICAL SYSTEM - PDS	F-5
ELECTRICAL SYSTEM - SERIES	F-7
ELECTRONIC SPEED CONTROL - SERIES	G-1
ELECTRONIC SPEED CONTROL - PDS	G-3
ELECTRIC MOTOR	H-1
FRONT SUSPENSION/STEERING	J-1
REAR AXLE	K-1
REAR SUSPENSION	L-1
SEATING AND BAG HOLDER - GOLF CAR	M-1
TOW BAR - PERMANENT	N-1
TOW BAR - CASUAL	N-5
WEATHER PROTECTION - GOLF CAR	P-1
WHEELS AND TIRES	Q-1
SPECIALTY PRODUCTS	APPENDIX A-1
OPTIONS/ACCESSORIES	APPENDIX B-1

HOW TO USE THE SERVICE PARTS MANUAL

This manual is divided into several sections:

GENERAL INFORMATION

- TABLE OF CONTENTS
- HOW TO USE THE SERVICE PARTS MANUAL

ILLUSTRATED PARTS BREAKDOWN

- Contains illustrations and parts lists for all systems of the vehicle

APPENDIX

- Contains a listing of specialty products and options/accessories

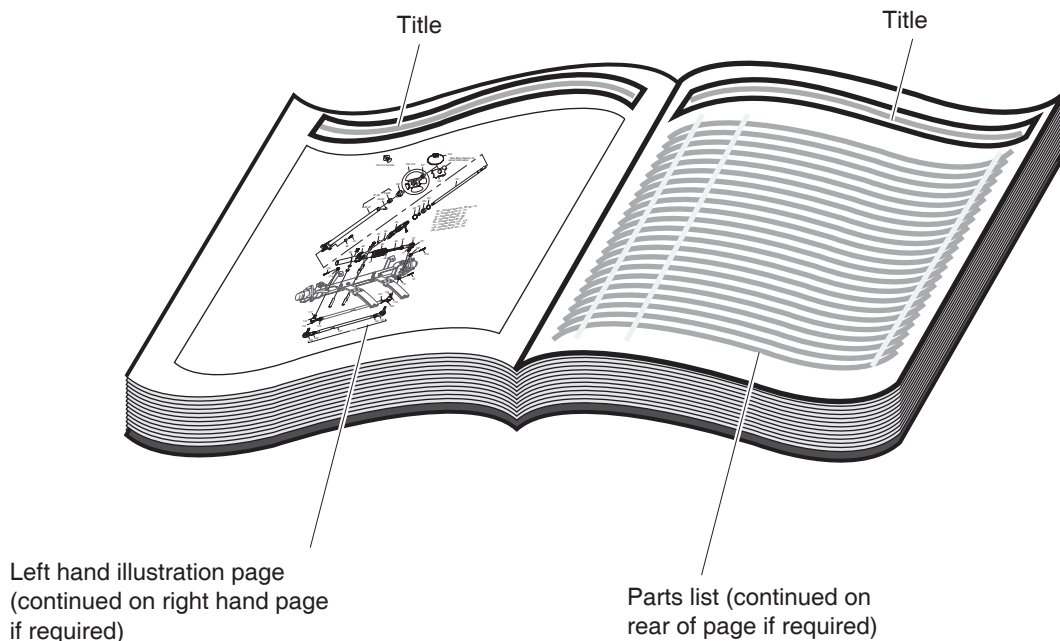
USE OF THE MANUAL

To use this manual, consult the TABLE OF CONTENTS (page iii) to locate the information or illustration required.

Introduction of some revisions varies due to supply of components; therefore, it is possible that various combinations of components may be found that are not directly reflected by each illustration. Consult the illustration that best suits your situation. Locate the serial number plate (see BODY located in the Illustrated Parts Breakdown section of this manual for its location) and note the complete number shown on the plate. It is important that the serial number of your vehicle and its model number be supplied to Service Parts when ordering any replacement components.

Locate the serial number plate (see BODY located in the Illustrated Parts Breakdown section of this manual for its location) and note the complete number shown on the plate.

HOW TO USE THE SERVICE PARTS MANUAL



1. WHEN THE PART NUMBER IS NOT KNOWN

- Determine the function and application of the part required. Turn to the INDEX OF MAJOR COMPONENTS and select the most appropriate component description.
- Turn to the page number indicated and locate the part description in the parts list. Read the full accompanying description for specific information regarding the part that was not shown in the index.
- From the parts list, obtain the item number assigned to it and confirm that the part selected is correct by verifying it with the pictorial representation on the illustrated page.

2. IF YOU KNOW THE PART NUMBER

- Use the INDEX OF MAJOR COMPONENTS to find the page(s) the part number appears on.
- Turn to the page number indicated and locate the part number in the parts list. Refer to the accompanying description for specific information regarding the part.
- From the parts list, obtain the item number assigned to it and confirm that the part selected is correct by verifying it with the pictorial representation on the illustrated page.

Should an asterisk (*) appear in the part number column on the parts list page, read upwards until a part number is found. The part number is the lowest assembly sold by Service Parts. The asterisk (*) indicates that the part depicted is not available for purchase.

NOTE: Descriptions are indented under the assembly that they are used on. That assembly is, in turn listed under the assembly that it is used on. This process is repeated until the highest final assembly is reached.

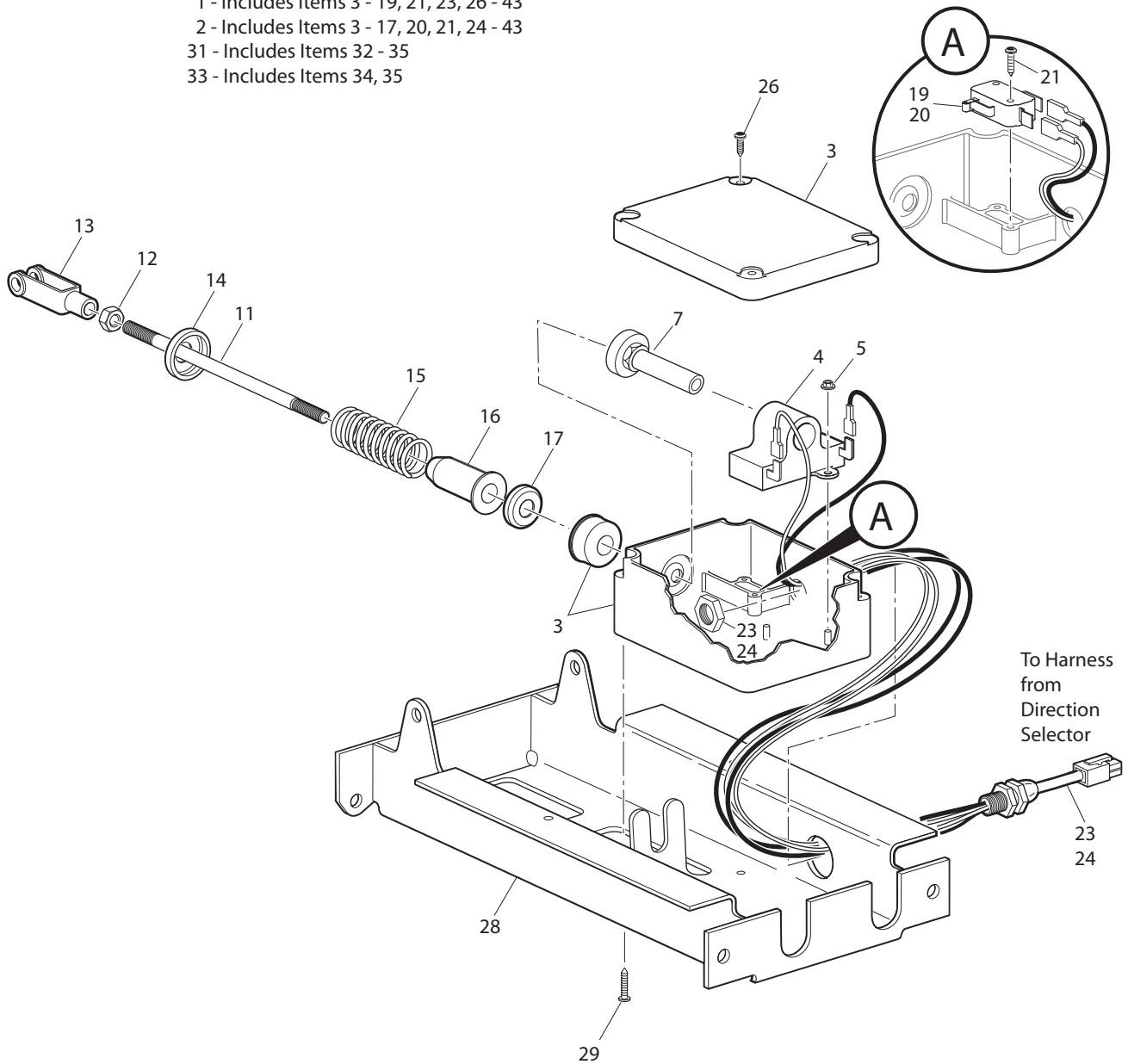
To facilitate the maintenance and repair of the vehicle, a Technician's Repair and Service Manual is available from the Service Parts Department.

ILLUSTRATED PARTS BREAKDOWN

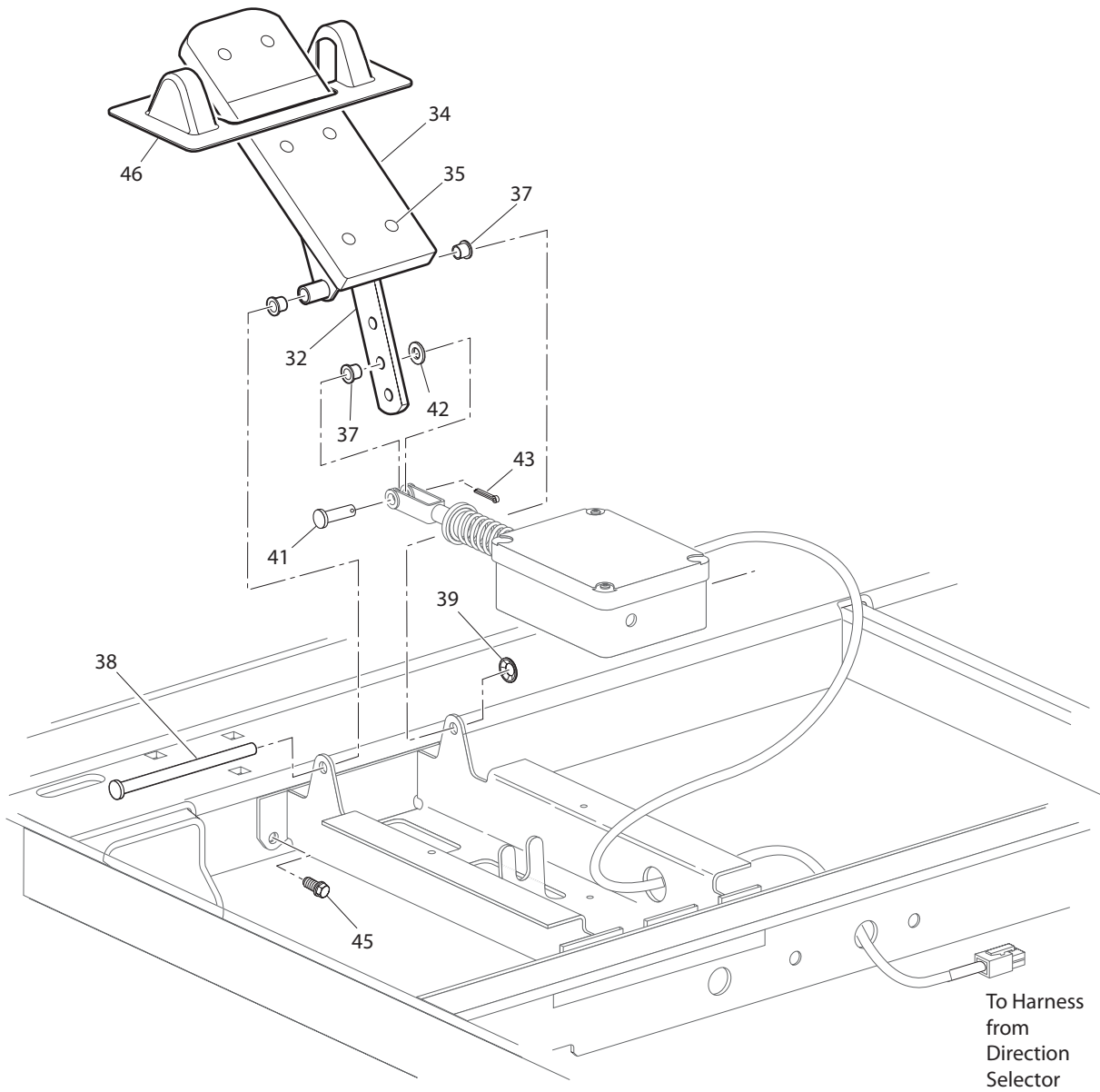
ILLUSTRATED PARTS BREAKDOWN

ACCELERATOR

- 1 - Includes Items 3 - 19, 21, 23, 26 - 43
- 2 - Includes Items 3 - 17, 20, 21, 24 - 43
- 31 - Includes Items 32 - 35
- 33 - Includes Items 34, 35



Ref Acl 1-1



Ref Ac1 1-2

ACCELERATOR

Where applicable, THE USE OF NON UL PARTS WILL VOID ANY UL LISTING.

When ordering parts, please specify the model and serial number of the product.

* Indicates a component that is not available as an individual part.

G** Indicates consult Customer Service Department for additional information.

ITEM	PART NO.	1 2 3 4 5	DESCRIPTION	QTY.
1	73333-G09		PEDAL BOX ASSEMBLY (INCLUDES ITEMS 3 - 19, 21, 23, 26 - 43)	1
2	73333-G10		PEDAL BOX ASSEMBLY, PDS MODEL ONLY (INCLUDES ITEMS 3 - 17, 20, 21, 24 - 43)	1
3	25853-G01		PEDAL BOX AND COVER (SEAL AND BEARING)	1
4	25854-G01		INDUCTIVE THROTTLE SENSOR	1
5	00983-G01		SELF THREADING NUT, 3/16"	2
6				
7	602484		PLUNGER.....	1
8				
9				
10				
11	73332-G01		ACCELERATOR ROD	1
12	00532-G4		NUT, 5/16 - 24.....	1
13	10385-G4		CLEVIS YOKE (ADJUSTABLE)	1
14	17677-G2		SPRING RETAINER, 3/8"	1
15	73046-G01		COMPRESSION SPRING	1
16	17979-G1		ACCELERATOR ROD BUSHING	1
17	17677-G1		SPRING RETAINER, 1/2"	1
18				
19	25861-G01		MICRO SWITCH.....	1
20	25861-G02		MICRO SWITCH (PDS MODEL ONLY).....	1
21	01050-G01		SCREW, #4 - 14 X 5/8" LG	2
22				
23	25879-G03		WIRING HARNESS (PEDAL BOX ASSEMBLY)	1
24	25879-G05		WIRING HARNESS (PEDAL BOX ASSEMBLY) (PDS MODEL ONLY)	1
25				
26	00684-G6		SCREW, #8 - 32 X 3/4" LG (STAINLESS STEEL).....	2
27				
28	70116-G02		ACCELERATOR PEDAL BRACKET.....	1
29	01051-G01		SCREW, #8 - 16 X 1/2" LG	4

ACCELERATOR

Where applicable, THE USE OF NON UL PARTS WILL VOID ANY UL LISTING.

When ordering parts, please specify the model and serial number of the product.

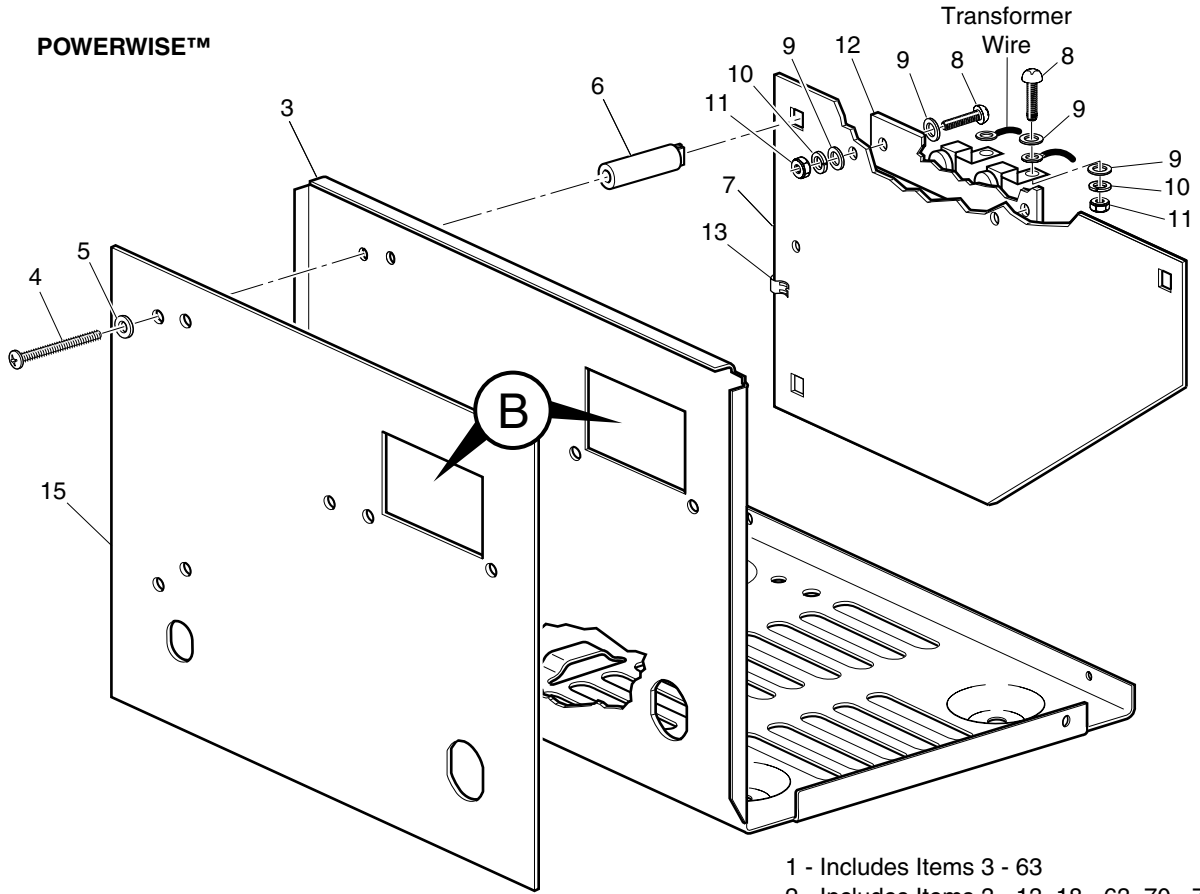
* Indicates a component that is not available as an individual part.

G** Indicates consult Customer Service Department for additional information.

ITEM	PART NO.	1	2	3	4	5	DESCRIPTION	QTY.
30								
31	25799-G03						ACCELERATOR PEDAL ASSEMBLY (INCLUDES ITEMS 32 - 35).....	1
32	*						ACCELERATOR PEDAL	1
33	27844-G01						ACCELERATOR PEDAL PAD KIT (INCLUDES ITEMS 34, 35).....	1
34	27512-G01						ACCELERATOR PEDAL PAD	1
35	15766-G1						OVAL RIVET 3/16" X 7/16" LG	6
36								
37	17838-G1						NYLON BUSHING	3
38	74432-G01						PEDAL PIVOT PIN	1
39	12064-G6						PUSHNUT, 9/32" I.D.	1
40								
41	10386-G3						CLEVIS PIN, 5/16" X 13/16" LG	1
42	17255-G1						TEFLON WASHER, 5/16"	1
43	10387-G3						COTTER PIN, 3/32" X 3/4" LG	1
44								
45	00715-G2						BOLT, 5/16 - 18 X 4/5" LG	4
46	70135-G01						PEDAL PIVOT COVER	1

BATTERY CHARGER - PORTABLE 36 VOLT

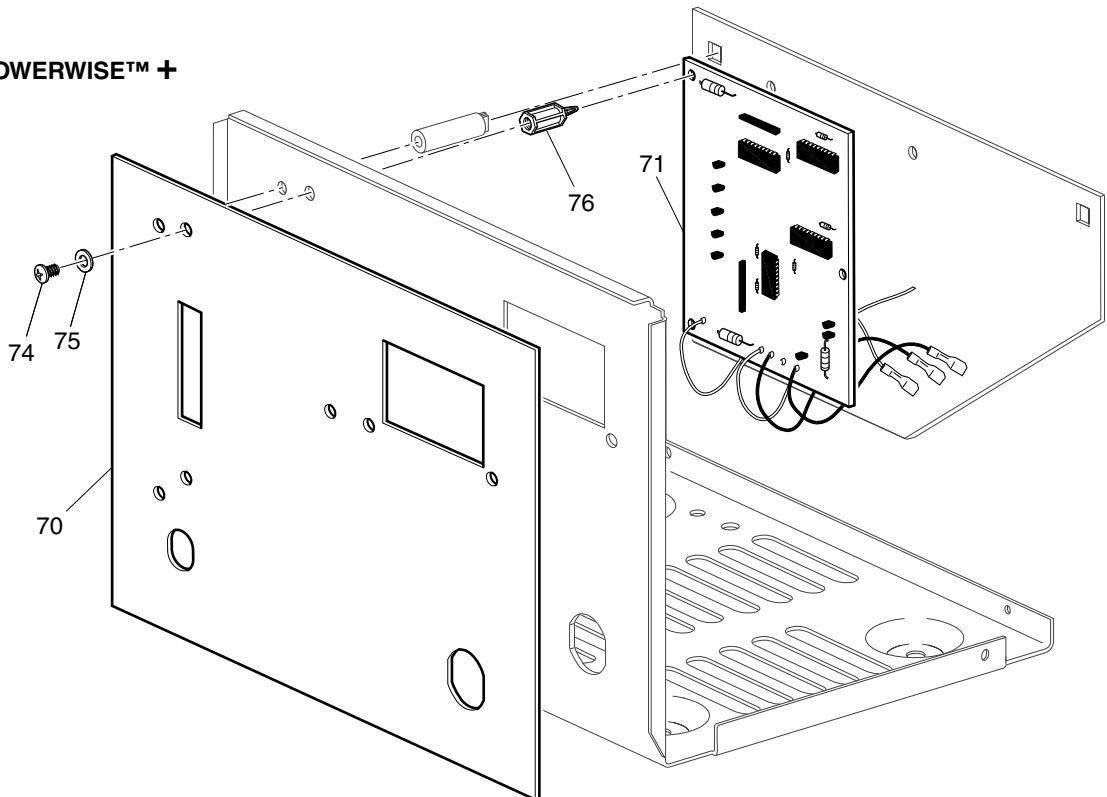
POWERWISE™



1 - Includes Items 3 - 63

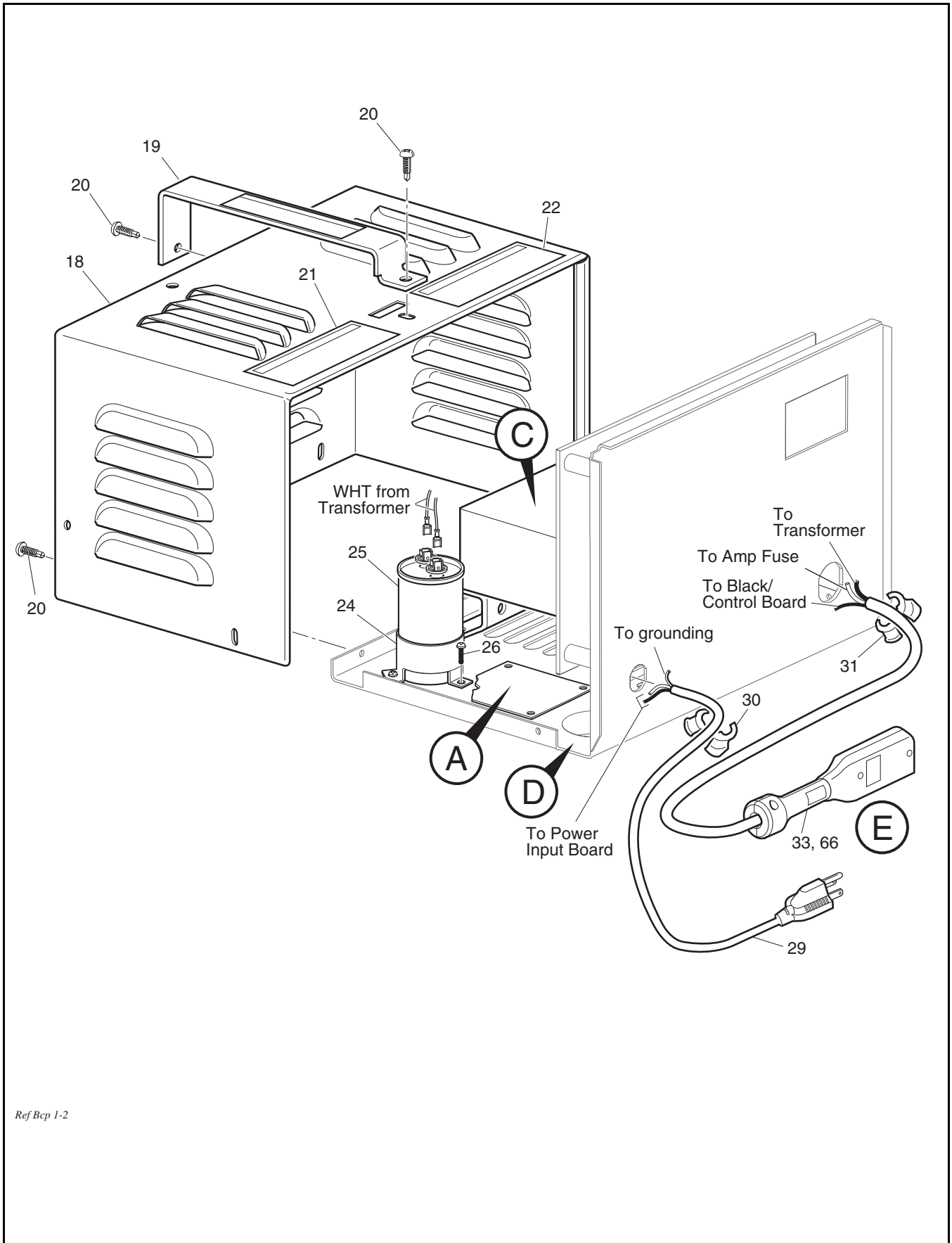
2 - Includes Items 3 - 13, 18 - 63, 70 - 76

POWERWISE™ +



Ref Bcp 1-1

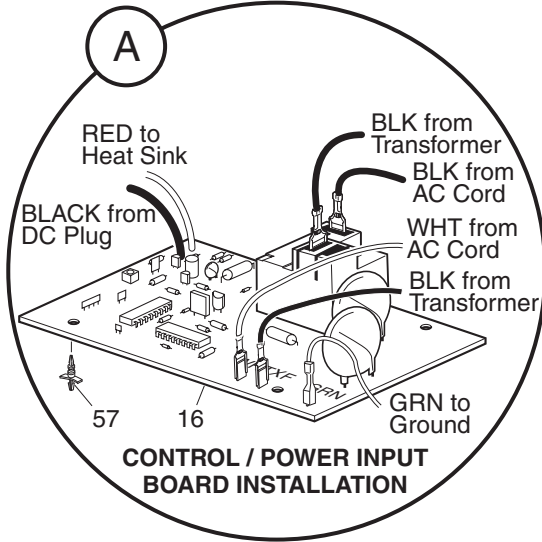
BATTERY CHARGER - PORTABLE 36 VOLT



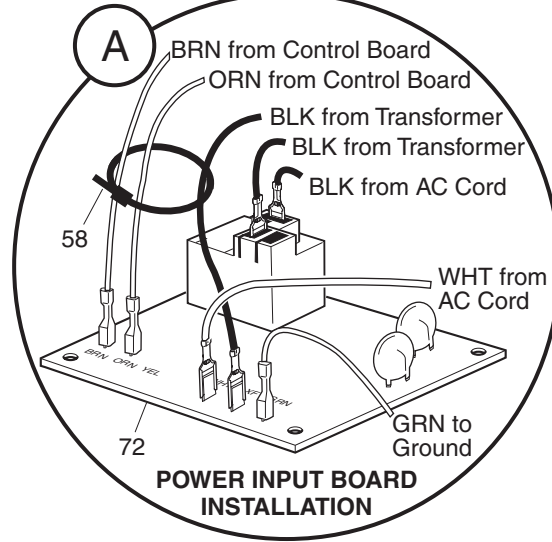
Ref Bcp 1-2

BATTERY CHARGER - PORTABLE 36 VOLT

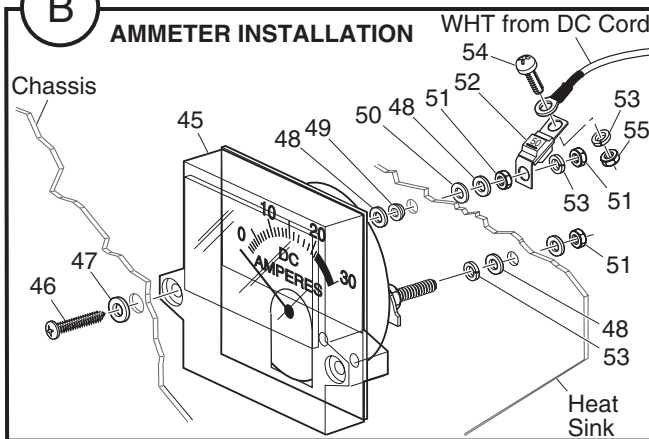
POWERWISE™



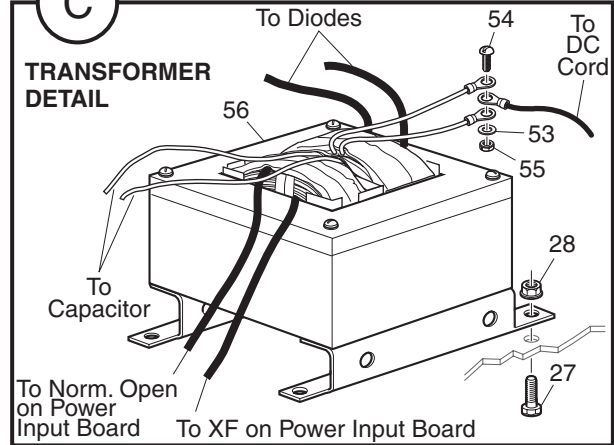
POWERWISE™ +



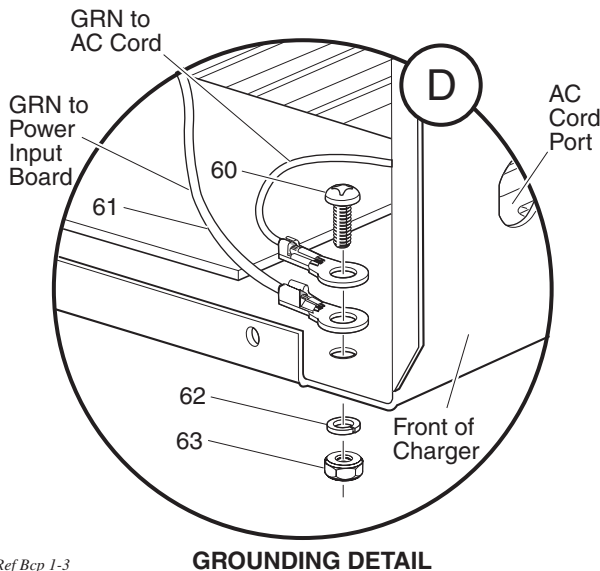
B



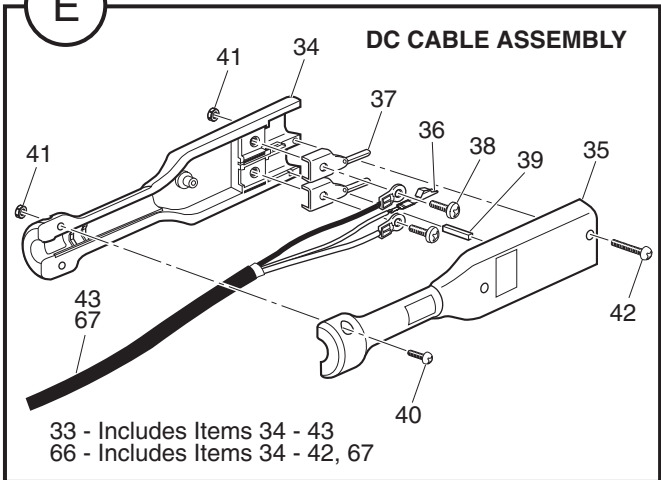
C



D



E



Ref Bcp 1-3

BATTERY CHARGER - PORTABLE 36 VOLT

Where applicable, THE USE OF NON UL PARTS WILL VOID ANY UL LISTING.

When ordering parts, please specify the model and serial number of the product.

* Indicates a component that is not available as an individual part.

G** Indicates consult Customer Service Department for additional information.

ITEM	PART NO.	1	2	3	4	5	DESCRIPTION	QTY.
1	28115-G01						POWERWISE™ CHARGER (10' CORD) (INCLUDES ITEMS 3 - 63).....	1
2	28115-G02						POWERWISE™ + CHARGER (PORTABLE, 10' CORD) (INCLUDES ITEMS 3 - 13, 18 - 63, 70 - 76).....	1
3	*						CHASSIS	1
4	00513-G6						SCREW, #8 - 18 X 1 3/4" LG	2
5	00559-G4						WASHER, #8	2
6	11572-G3						EXPANSION NUT.....	2
7	28104-G01						HEAT SINK	1
8	00372-G4						SCREW, #8 - 32 X 1/2" LG	4
9	00559-G4						WASHER, #8	4
10	00565-G4						LOCK WASHER, #8	4
11	00526-G1						NUT, #8 - 32	4
12	28548-G01						DIODE.....	1
13	28110-G01						ELECTRICAL CLIP	1
14								
15	*						LABEL (POWERWISE™)	1
16	28667-G01						CONTROL / POWER INPUT BOARD	1
17								
18	*						COVER	1
19	28102-G01						HANDLE	1
20	00614-G4						SCREW, #8 - 18 X 1/2" LG	6
21	28136-G01						LABEL (VENTILATION).....	1
22	28136-G02						LABEL (CORD CONDITION).....	1
23								
24	26979-G01						CAPACITOR BRACKET	1
25	28109-G01						CAPACITOR	1
26	00969-G01						SCREW, #8 - 32 X 3/8" LG	3
27	00414-G5						BOLT, 1/4 - 20 X 5/8" LG	3
28	11027-G2						LOCK NUT, 1/4 - 20.....	3
29	19388-G4						AC CORD	1

BATTERY CHARGER - PORTABLE 36 VOLT

Where applicable, THE USE OF NON UL PARTS WILL VOID ANY UL LISTING.

When ordering parts, please specify the model and serial number of the product.

* Indicates a component that is not available as an individual part.

G** Indicates consult Customer Service Department for additional information.

ITEM	PART NO.	1	2	3	4	5	DESCRIPTION	QTY.
30	13557-G2						STRAIN RELIEF (AC).....	1
31	13557-G3						STRAIN RELIEF (DC).....	1
32								
33	73345-G01						DC CORD AND HANDLE ASSEMBLY (INCLUDES ITEMS 34 - 43).....	1
34	73051-G11						PLUG (TOP HALF).....	1
35	73051-G12						PLUG (BOTTOM HALF).....	1
36	73051-G27						AUXILARY CONTACT	1
37	73051-G14						MALE PIN.....	2
38	73051-G08						SCREW, #10 - 32 X 1/2" LG (BRASS).....	2
39	73051-G15						MAGNET	1
40	73051-G16						SCREW, #6 - 32 X 1/2" LG (STAINLESS STEEL).....	2
41	73051-G10						LOCK NUT, #6 - 32	4
42	73051-G17						SCREW, #6 - 32 X 1" LG (STAINLESS STEEL).....	2
43	73344-G01						DC CORD, 10' LG	1
44								
45	28105-G01						AMMETER.....	1
46	01051-G01						SCREW, #8 - 16 X 1/2" LG	2
47	00559-G4						WASHER, #8	2
48	01003-G01						WASHER, #10 (BRASS).....	4
49	22589-G2						SHOULDER WASHER, #10	1
50	00771-G6						NYLON WASHER, 3/8"	1
51	00528-G4						NUT, #10 - 32 (BRASS).....	3
52	28106-G01						50 AMP FUSE.....	1
53	00565-G5						LOCK WASHER, #10	4
54	00378-G4						SCREW, #10 - 24 X 1/2" LG	2
55	00526-G3						NUT, #10 - 24	2
56	28103-G01						TRANSFORMER	1
57	27877-G01						SPACER SUPPORT.....	4
58	17618-G1						WIRE TIE	2
59								

BATTERY CHARGER - PORTABLE 36 VOLT

Where applicable, THE USE OF NON UL PARTS WILL VOID ANY UL LISTING.

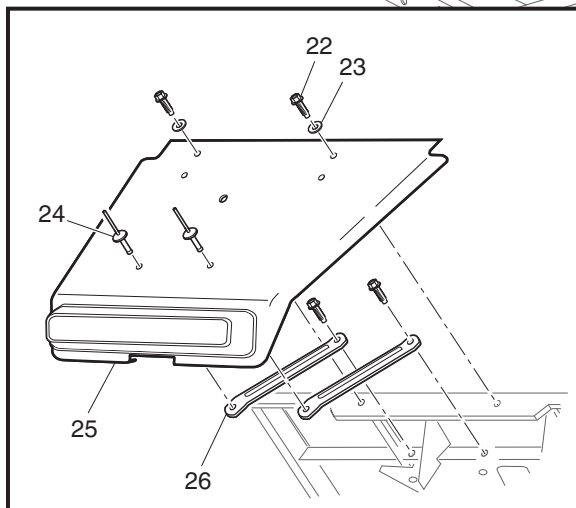
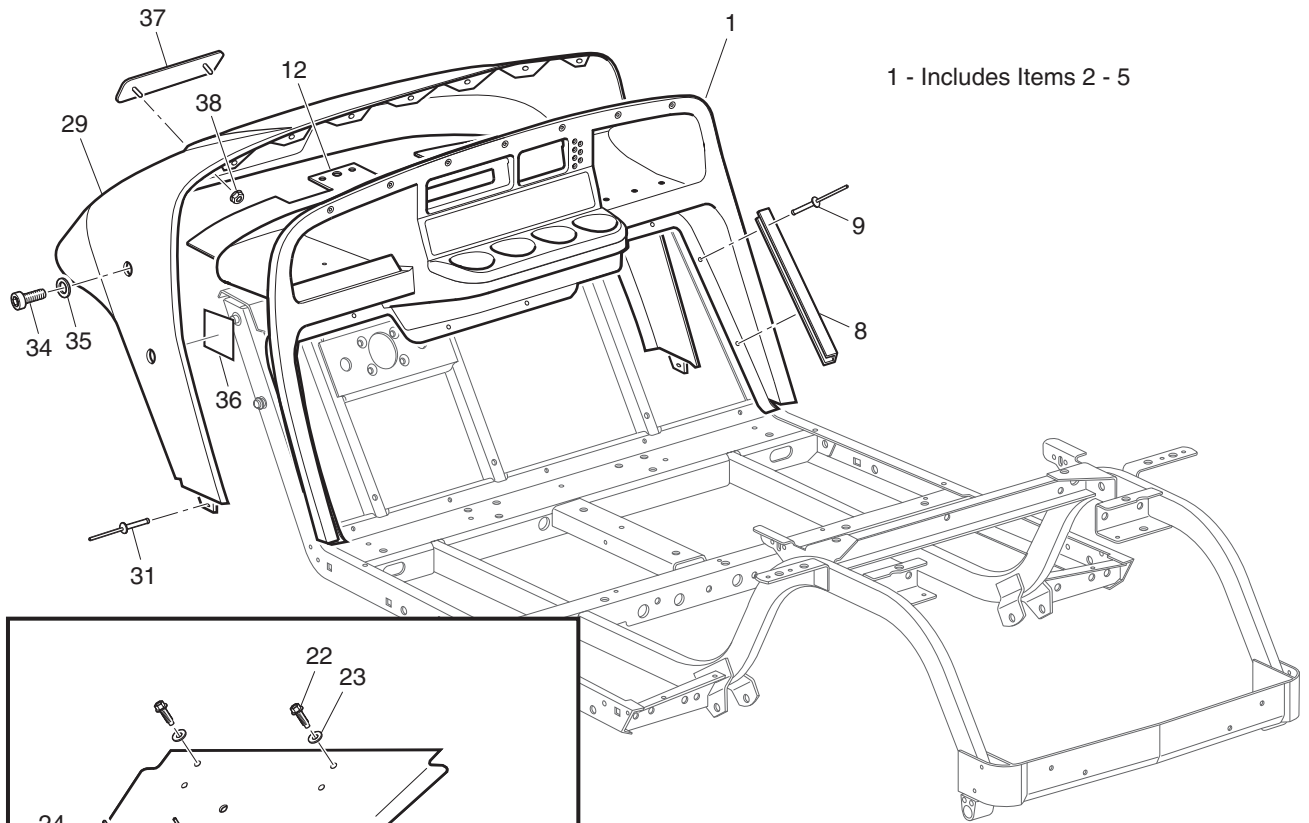
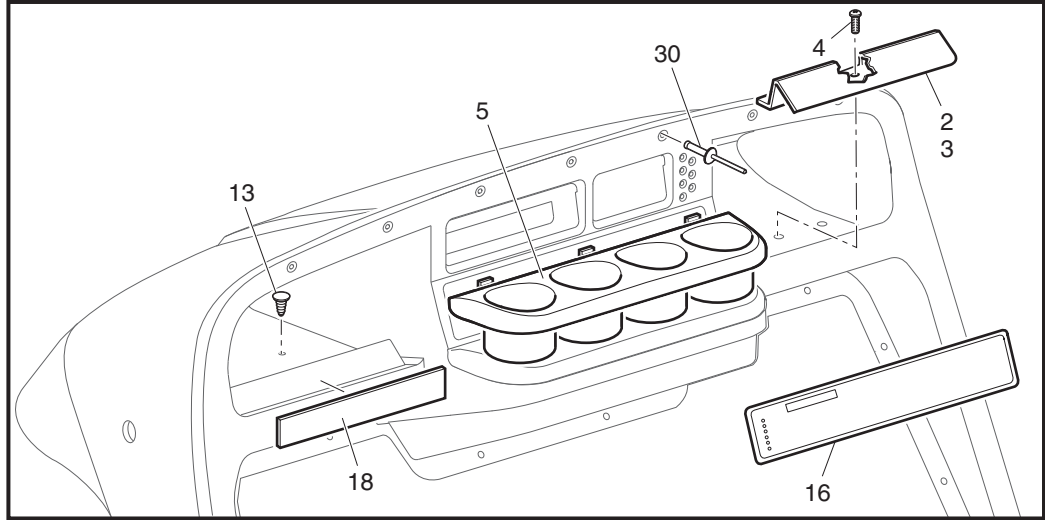
When ordering parts, please specify the model and serial number of the product.

* Indicates a component that is not available as an individual part.

G** Indicates consult Customer Service Department for additional information.

ITEM	PART NO.	1	2	3	4	5	DESCRIPTION	QTY.
60	00372-G3						SCREW, #8 - 32 X 3/8" LG	1
61	25977-G32						16 GA WIRE (GREEN 4")	1
62	00565-G4						LOCK WASHER, #8	1
63	00526-G1						NUT, #8 - 32	1
64								
65	28115-G07						POWERWISE™ CHARGER (PORTABLE, 18' CORD) (INCLUDES ITEMS 3 - 31, 45 - 63, 66, 67)	1
66	73345-G03						DC CORD AND HANDLE ASSEMBLY (INCLUDES ITEMS 34 - 42, 67).....	1
67	73344-G03						DC CORD, 18' LG	1
68								
69	28115-G08						POWERWISE™ + CHARGER (PORTABLE, 18' CORD) (INCLUDES ITEMS 3 - 13, 18 - 31, 45 - 63, 66, 67, 70 - 76)	1
70	*						LABEL (POWERWISE™ +)	1
71	28667-G02						CONTROL BOARD.....	1
72	28667-G03						POWER INPUT BOARD.....	1
73								
74	01005-G01						SCREW, #6 - 19 X 5/16" LG	3
75	00559-G3						WASHER, #6	3
76	28111-G01						SUPPORT SPACER.....	3

BODY - FRONT



Ref Bod 17-1

BODY - FRONT

Where applicable, THE USE OF NON UL PARTS WILL VOID ANY UL LISTING.

When ordering parts, please specify the model and serial number of the product.

* Indicates a component that is not available as an individual part.

G** Indicates consult Customer Service Department for additional information.

ITEM	PART NO.	1 2 3 4 5	DESCRIPTION	QTY.
1	71151-G01		INSTRUMENT PANEL ASSEMBLY (INCLUDES ITEMS 2 - 5)	1
2	71153-G01		BALL DEFLECTOR (PASSENGER SIDE).....	1
3	71154-G01		BALL DEFLECTOR (DRIVER SIDE)	1
4	00614-G5		SCREW, #8 - 18 X 5/8" LG	6
5	71158-G01		INSTRUMENT PANEL INSERT (4 CUP HOLDER).....	1
6				
7				
8	71115-G01		VINYL TRIM	2
9	71055-G01		RIVET, 3/16" X 1" LG (ALUMINUM)	10
10				
11				
12	71413-G01		SPLASH PANEL.....	1
13	16816-G2		RIVET, 1/4" X 3/4" LG	5
14				
15				
16	27647-G01		LABEL (SAFETY).....	1
17				
18	74443-G01		LABEL (ANTI-ROLLBACK)	1
19				
20				
21				
22	01038-G01		BOLT, 1/4 - 20 X 11/16" LG	4
23	16469-G1		WASHER, 1/4"	2
24	01057-G01		RIVET, 1/4" X 1" LG	2
25	27166-G04		FRONT SHIELD	1
26	70725-G02		FRONT SHIELD BRACE.....	2
27				
28				
29	71051-G**		COWL.....	1
30	71055-G01		RIVET, 3/16" X 1" LG (ALUMINUM).....	9

BODY - FRONT

Where applicable, THE USE OF NON UL PARTS WILL VOID ANY UL LISTING.

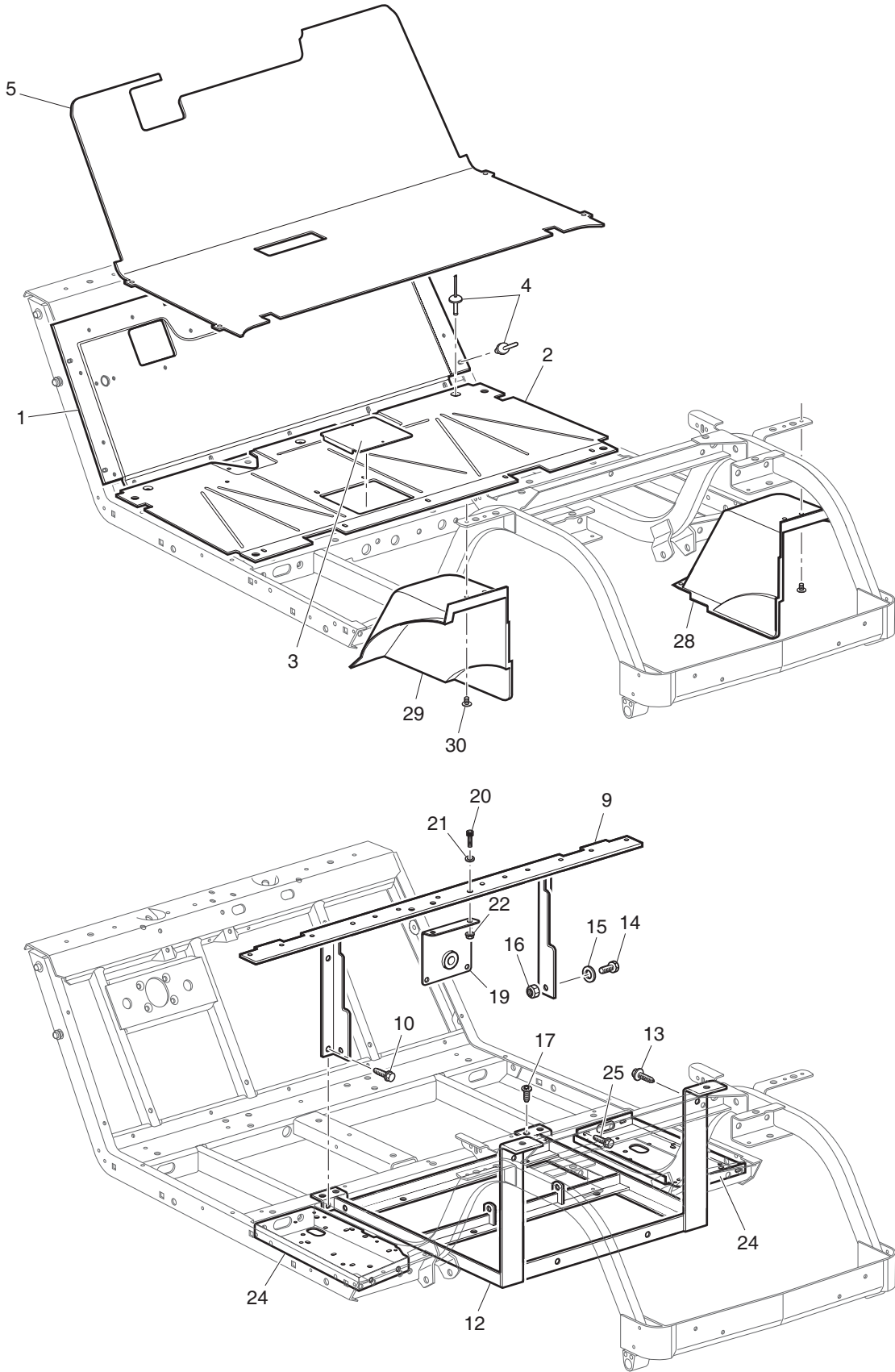
When ordering parts, please specify the model and serial number of the product.

* Indicates a component that is not available as an individual part.

G** Indicates consult Customer Service Department for additional information.

ITEM	PART NO.	1 2 3 4 5	DESCRIPTION	QTY.
31	10570-G11		RIVET, 3/16" X 3/4" LG (STAINLESS STEEL)	2
32				
33				
34	00438-G6		BOLT, 5/16 - 18 X 3/4" LG (WITH TOP)	2
35	00571-G2		WASHER, 5/16" (STAINLESS STEEL) (WITH TOP)	2
36	71781-G02		VINYL TAPE	2
37	71037-G02		E-Z-GO NAMEPLATE (GOLD).....	1
38	71597-G01		PUSHNUT, 3/16"	2

BODY - MID SECTION



Ref Bod 1-2

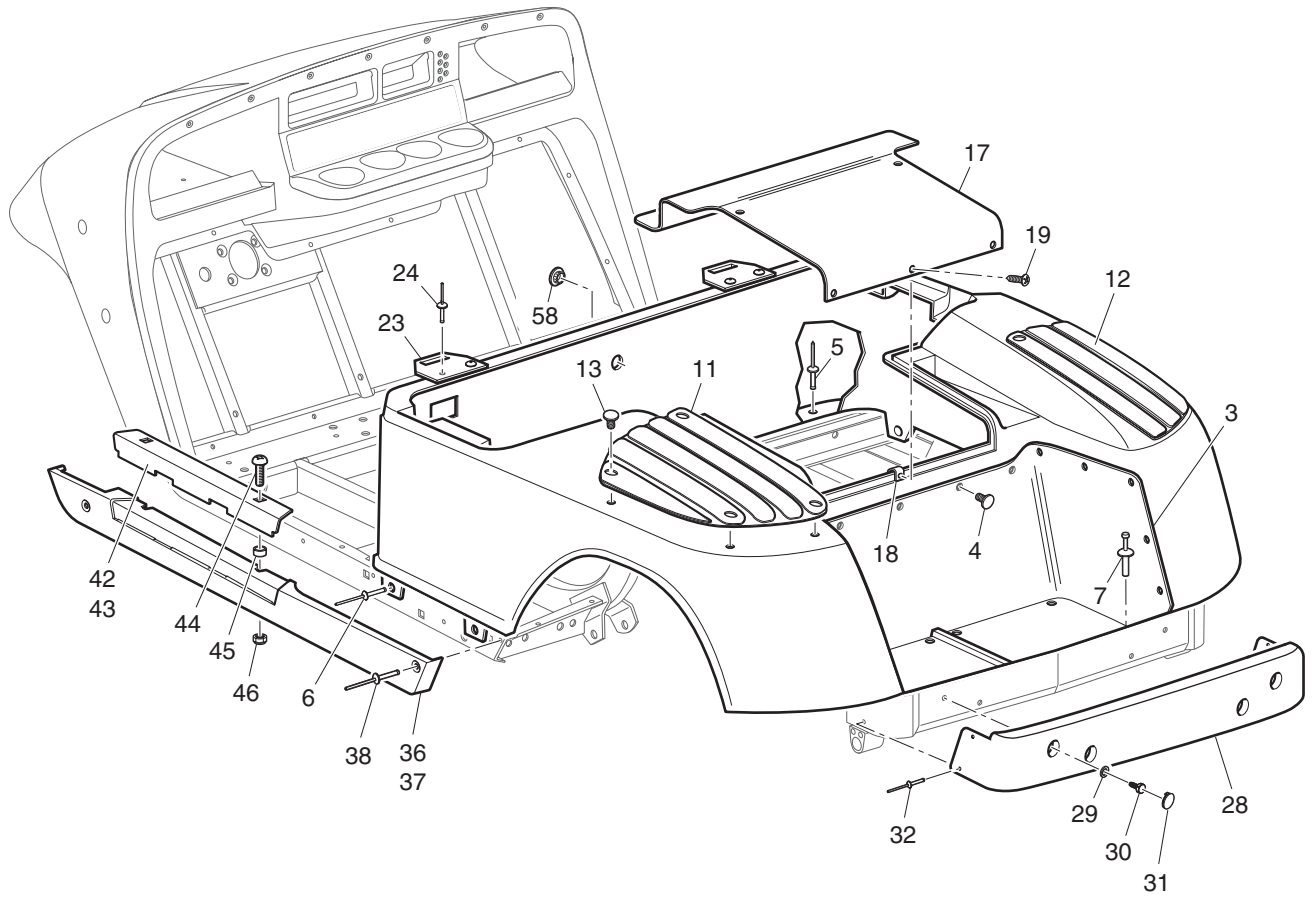
BODY - MID SECTION

Where applicable, THE USE OF NON UL PARTS WILL VOID ANY UL LISTING.
 When ordering parts, please specify the model and serial number of the product.
 * Indicates a component that is not available as an individual part.
 G** Indicates consult Customer Service Department for additional information.

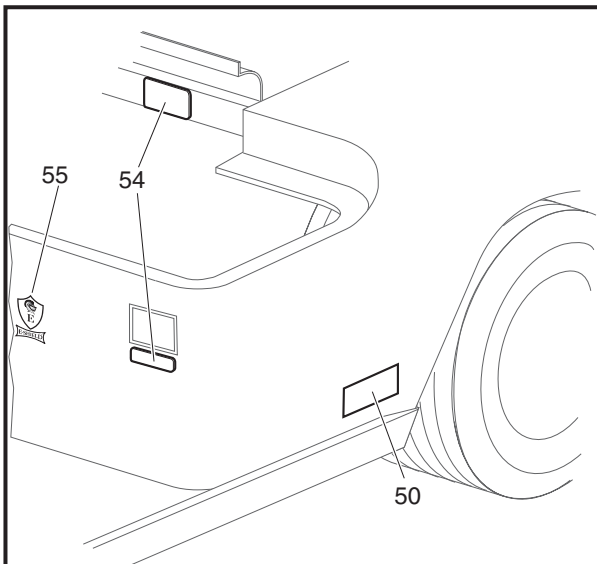
ITEM	PART NO.	1 2 3 4 5	DESCRIPTION	QTY.
1	70662-G01		UPPER FLOORPAN.....	1
2	70451-G01		LOWER FLOORPAN.....	1
3	70452-G01		ACCESS COVER.....	1
4	14601-G11		RIVET, 3/16" X 9/16" LG (ALUMINUM).....	16
5	70995-G01		FLOORMAT.....	1
6				
7				
8				
9	70441-G01		SEAT FRAME.....	1
10	00715-G2		BOLT, 5/16 - 18 X 13/16" LG.....	2
11				
12	70046-G02		BATTERY RACK.....	1
13	00715-G2		BOLT, 5/16 - 18 X 13/16" LG.....	2
14	00438-G6		BOLT, 5/16 - 18 X 3/4" LG.....	2
15	00559-G8		WASHER, 5/16".....	2
16	11098-G6		LOCK NUT, 5/16 - 18 (STAINLESS STEEL).....	2
17	70200-G01		SCREW, 3/8 - 16 X 3/4" LG.....	2
18				
19	70444-G02		BRACKET.....	1
20	28272-G01		BOLT, 1/4 - 20 X 5/8" LG.....	2
21	01110-G01		WASHER, 1/4" (STAINLESS STEEL).....	2
22	11027-G2		LOCK NUT, 1/4 - 20.....	2
23				
24	70244-G03		SPLASH PANEL.....	2
25	00715-G2		BOLT, 5/16 - 18 X 13/16" LG.....	8
26				
27				
28	71812-G01		FENDER LINER (PASSENGER SIDE).....	1
29	71812-G02		FENDER LINER (DRIVER SIDE).....	1
30	16816-G2		RIVET, 1/4" X 3/4" LG.....	8

BODY - REAR

1 - Includes Items 3, 4



LABELS



Ref Bod 17-3

BODY - REAR

Where applicable, THE USE OF NON UL PARTS WILL VOID ANY UL LISTING.

When ordering parts, please specify the model and serial number of the product.

* Indicates a component that is not available as an individual part.

G** Indicates consult Customer Service Department for additional information.

ITEM	PART NO.	1	2	3	4	5	DESCRIPTION	QTY.
1	71912-G0**						REAR BODY (WITHOUT TAILLIGHTS) (INCLUDES ITEMS 3, 4)	1
2								
3	71318-G01						BAGWELL LINER	1
4	16816-G1						RATCHET FASTENER, 1/4" X 9/16" LG	26
5	10570-G10						RIVET, 5/32" X 9/16" LG (STAINLESS STEEL)	6
6	10570-G12						RIVET, 1/4" X 9/16" LG (ALUMINUM)	4
7	18436-G1						RIVET, 1/4" X 3/4" LG	2
8								
9								
10								
11	75126-G01						FENDER SCUFFGUARD (DRIVER SIDE)	1
12	75126-G02						FENDER SCUFFGUARD (PASSENGER SIDE)	1
13	16816-G2						RIVET, 1/4" X 3/4" LG	8
14								
15								
16								
17	71320-G01						ACCESS PANEL	1
18	71364-G02						'J' CLIP	1
19	01107-G01						SCREW, #8 X 5/8" LG (STAINLESS STEEL)	5
20								
21								
22								
23	71609-G01						SEAT HINGE PLATE	2
24	10570-G11						RIVET, 3/16" X 3/4" LG (STAINLESS STEEL)	4
25								
26								
27								
28	71578-G01						REAR BUMPER	1
29	00571-G2						WASHER, 5/16"	4
30	71102-G01						BOLT, 1/4 - 20 X 3/4" LG	4

BODY - REAR

Where applicable, THE USE OF NON UL PARTS WILL VOID ANY UL LISTING.

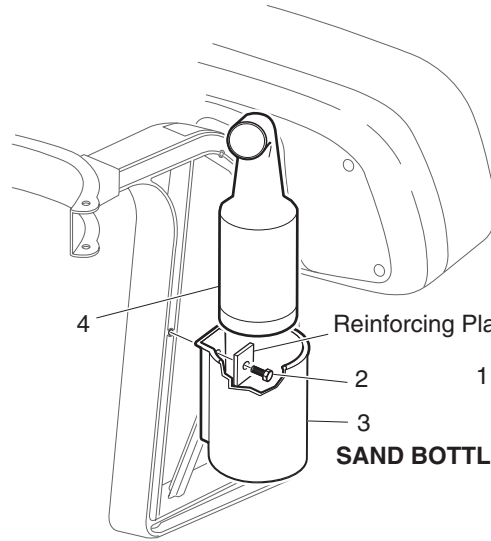
When ordering parts, please specify the model and serial number of the product.

* Indicates a component that is not available as an individual part.

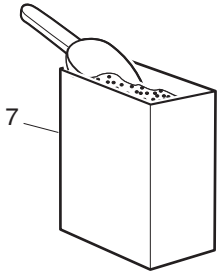
G** Indicates consult Customer Service Department for additional information.

ITEM	PART NO.	1 2 3 4 5	DESCRIPTION	QTY.
31	71514-G01		BUMPER PLUG	4
32	14601-G17		RIVET, 3/16" X 9/16" LG (ALUMINUM)	4
33				
34				
35				
36	71501-G01		ROCKER PANEL (PASSENGER SIDE).....	1
37	71502-G01		ROCKER PANEL (DRIVER SIDE)	1
38	15058-G6		RIVET, 3/16" X 15/16" LG (ALUMINUM)	4
39				
40				
41				
42	71507-G01		SILL PLATE (PASSENGER SIDE)	1
43	71507-G02		SILL PLATE (DRIVER SIDE).....	1
44	16705-G1		SCREW, 1/4 - 20 X 1" LG (STAINLESS STEEL)	4
45	23726-G4		SPACER, 5/16".....	4
46	14390-G04		LOCK NUT, 1/4 - 20 (STAINLESS STEEL)	4
47				
48				
49				
50	73330-G01		LABEL (PRECISION DRIVE SYSTEM™).....	AR
51				
52				
53				
54	*		LABEL (SERIAL NUMBER)	1
55	74755-G01		LABEL (E-SHIELD)	1
56				
57				
58	71316-G01		HOLE PLUG (DASH MOUNTED DIRECTION SELECTOR SWITCH ONLY)	1

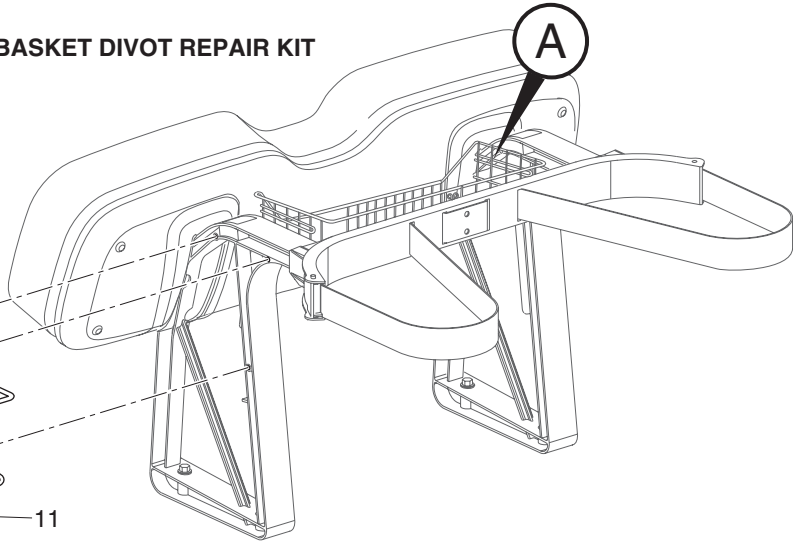
BODY - ACCESSORIES



4 Reinforcing Plate (Part of holder)
 2 1 - Includes Items 2 - 4
 3 **SAND BOTTLE DIVOT REPAIR KIT**

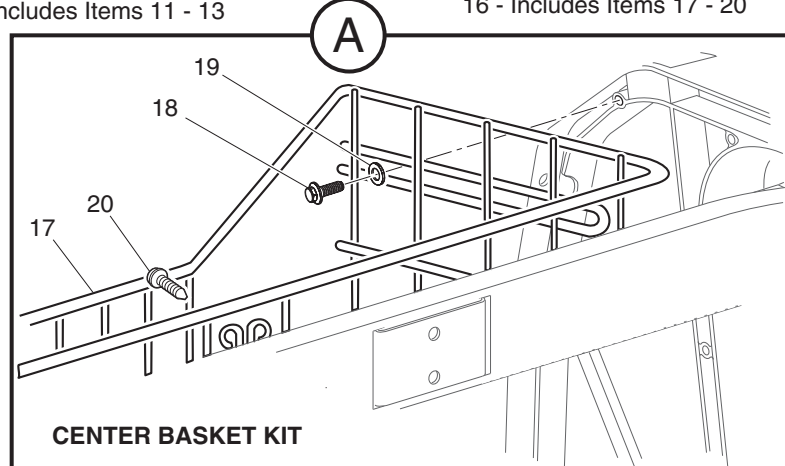


7 **BASKET DIVOT REPAIR KIT**



12 13
 11 **SIDE BASKET KIT**
 10 - Includes Items 11 - 13

16 - Includes Items 17 - 20



CENTER BASKET KIT

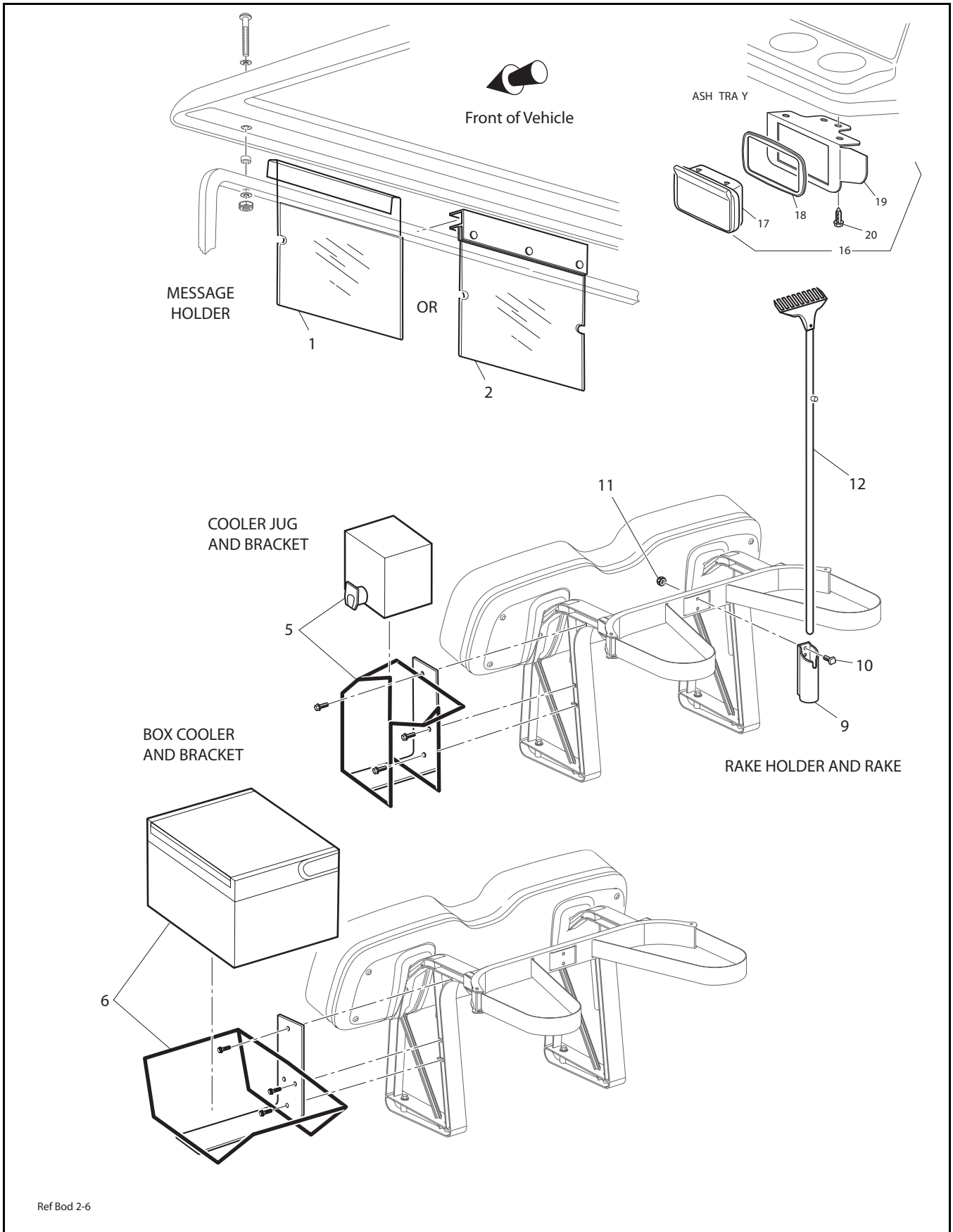
Ref Bod 2-5

BODY - ACCESSORIES

Where applicable, THE USE OF NON UL PARTS WILL VOID ANY UL LISTING.
 When ordering parts, please specify the model and serial number of the product.
 * Indicates a component that is not available as an individual part.
 G** Indicates consult Customer Service Department for additional information.

ITEM	PART NO.	1	2	3	4	5	DESCRIPTION	QTY.	
1	28661-G01							SAND BOTTLE DIVOT REPAIR KIT (INCLUDES ITEMS 2 - 4)	1
2	71102-G01							BOLT, 1/4 - 20 X 3/4" LG.....	1
3	28660-G01							SAND BOTTLE HOLDER	1
4	28659-G01							SAND BOTTLE	1
5									
6									
7	23300-G01							BASKET DIVOT REPAIR KIT (INCLUDES SCOOP)	1
8									
9									
10	75007-G02							SIDE BASKET KIT (INCLUDES ITEMS 11 - 13).....	1
11	75460-G01							SIDE BASKET	1
12	71102-G01							BOLT, 1/4 - 20 X 3/4" LG.....	3
13	00793-G2							FLAT WASHER, 1/4" (STAINLESS STEEL)	3
14									
15									
16	75003-G02							CENTER BASKET KIT (INCLUDES ITEMS 17 - 20)	1
17	75461-G01							CENTER BASKET	1
18	71102-G01							BOLT, 1/4 - 20 X 3/4" LG.....	2
19	00793-G2							FLAT WASHER, 1/4" (STAINLESS STEEL)	2
20	01105-G01							SCREW, #10 X 5/8" LG (STAINLESS STEEL)	2

BODY - ACCESSORIES CONTINUED



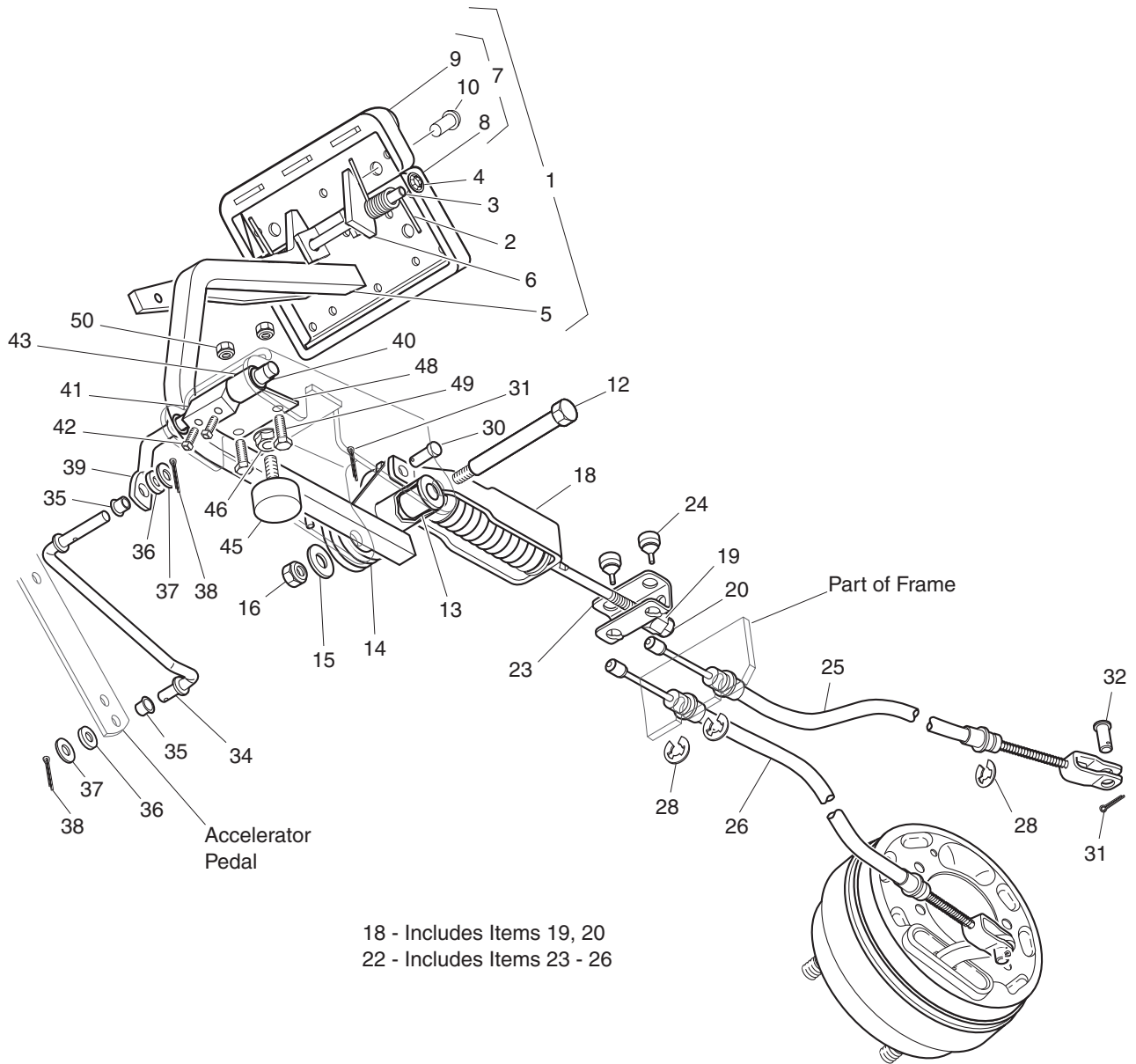
Ref Bod 2-6

BODY - ACCESSORIES CONTINUED

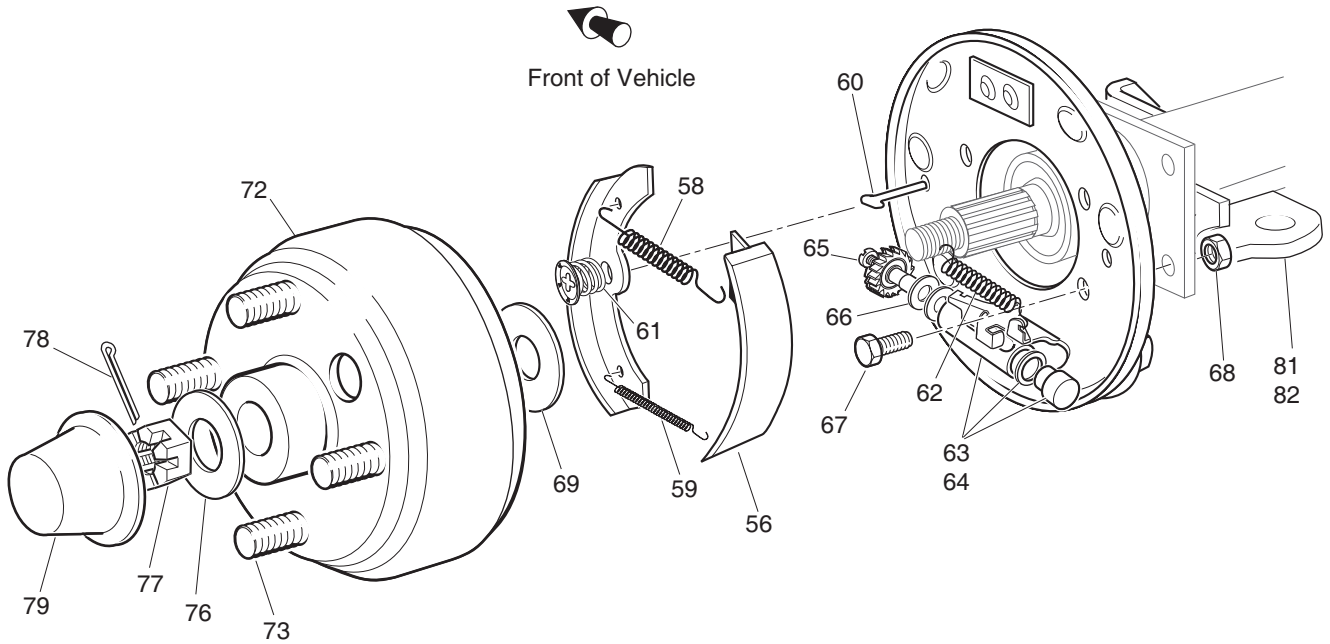
Where applicable, THE USE OF NON UL PARTS WILL VOID ANY UL LISTING.
 When ordering parts, please specify the model and serial number of the product.
 * Indicates a component that is not available as an individual part.
 G** Indicates consult Customer Service Department for additional information.

ITEM	PART NO.	1	2	3	4	5	DESCRIPTION	QTY.
1	75509-G01						MESSAGE HOLDER (ONE PIECE).....	1
2	75496-G01						MESSAGE HOLDER.....	1
3								
4								
5	75495-G01						COOLER JUG AND BRACKET KIT	1
6	75344-G01						BOX COOLER AND BRACKET KIT	1
7								
8								
9	25885-G01						RAKE HOLDER.....	1
10	00989-G6						SQUARE HEAD BOLT, 1/4 - 20 X 3/4" LG	2
11	11027-G2						LOCK NUT, 1/4 - 20	2
12	14735-G1						RAKE.....	1
13								
14								
15								
16	75109-G02						ASH TRAY KIT (INCLUDES ITEMS 17 - 20)	1
17	27731-G01						ASH TRAY	1
18	27736-G01						GASKET	1
19	75108-G02						BRACKET	1
20	00100-G4						SCREW, #10 - 16 X 1/2" LG	4

BRAKES



Ref Brk 1-1



- 53 - Includes Items 55 - 63, 65, 66
- 54 - Includes Items 55 - 62, 64 - 66
- 55 - Includes Items 56
- 57 - Includes Items 58 - 62
- 63 - Includes Items 65, 66
- 64 - Includes Items 65, 66
- 71 - Includes Items 72, 73

Ref Brk 1-3

BRAKES

Where applicable, THE USE OF NON UL PARTS WILL VOID ANY UL LISTING.

When ordering parts, please specify the model and serial number of the product.

* Indicates a component that is not available as an individual part.

G** Indicates consult Customer Service Department for additional information.

ITEM	PART NO.	1 2 3 4 5	DESCRIPTION	QTY.
1	70612-G02		BRAKE PEDAL ASSEMBLY (WITHOUT BRAKE LIGHTS) (INCLUDES ITEMS 2 - 10).....	1
2	70681-G01		TORSION SPRING.....	2
3	70682-G01		PIVOT PIN.....	1
4	01071-G01		PUSHNUT, 5/16".....	2
5	*		BRAKE PEDAL.....	1
6	70611-G02		PARK BRAKE PEDAL.....	1
7	70274-G01		BRAKE/PARK BRAKE PEDAL PAD KIT (INCLUDES ITEMS 8 - 10).....	1
8	*		SERVICE BRAKE PAD.....	1
9	*		PARK BRAKE PEDAL PAD.....	1
10	15766-G1		OVAL RIVET, 3/16" X 7/16" LG.....	9
11				
12	70582-G01		SHOULDER BOLT, 3/8 - 16 X 4" LG (STAINLESS STEEL).....	1
13	70581-G01		FLANGED BUSHING.....	2
14	70676-G01		TORSION SPRING.....	1
15	00643-G1		WASHER, 3/8".....	1
16	11098-G5		LOCK NUT, 3/8 - 16.....	1
17				
18	70272-G04		COMPENSATOR ASSEMBLY (INCLUDES ITEMS 19, 20).....	1
19	00963-G01		SPHERICAL NUT, 5/16 - 24.....	1
20	11098-G9		LOCK NUT, 5/16 - 24.....	1
21				
22	70969-G03		EQUALIZER AND BRAKE CABLE ASSEMBLY (INCLUDES ITEMS 23 - 26) ...	1
23	28082-G01		EQUALIZER BRACKET.....	1
24	28083-G01		BRAKE COMPENSATOR BUMPER.....	2
25	*		BRAKE CABLE (DRIVER SIDE).....	1
26	*		BRAKE CABLE (PASSENGER SIDE).....	1
27				
28	01111-G01		RETAINING RING, 4/5" (STAINLESS STEEL).....	4
29				

BRAKES

Where applicable, THE USE OF NON UL PARTS WILL VOID ANY UL LISTING.

When ordering parts, please specify the model and serial number of the product.

* Indicates a component that is not available as an individual part.

G** Indicates consult Customer Service Department for additional information.

ITEM	PART NO.	1 2 3 4 5	DESCRIPTION	QTY.
30	10386-G3		CLEVIS PIN, 5/16" X 13/16" LG.....	1
31	10387-G3		COTTER PIN, 3/32" X 3/4" LG.....	3
32	14443-G2		CLEVIS PIN, 5/16" X 5/8" LG.....	2
33				
34	70601-G01		KICK-OFF LINK.....	1
35	17838-G1		NYLON BUSHING.....	2
36	20835-G1		TEFLON WASHER, 3/8".....	2
37	00559-G8		WASHER, 5/16".....	2
38	10387-G3		COTTER PIN, 3/32" X 3/4" LG.....	2
39	70098-G01		KICK-OFF CAM PIVOT.....	1
40	10097-G6		FLANGED BEARING.....	2
41	70587-G01		KICK-OFF CAM.....	1
42	71215-G01		SETSCREW, 1/4 - 20 X 1/2" LG.....	2
43	14134-G4		SPACER.....	1
44				
45	70113-G01		ADJUSTABLE BUMPER.....	1
46	11027-G1		LOCK NUT, 5/16 - 18.....	1
47				
48	70080-G02		CATCH BRACKET.....	1
49	00414-G6		BOLT, 1/4 - 20 X 3/4" LG.....	2
50	00891-G2		LOCK NUT, 1/4 - 20 (STAINLESS STEEL).....	2
51				
52				
53	70998-G01		BRAKE ASSEMBLY (DRIVER SIDE) (INCLUDES ITEMS 55 - 63, 65, 66).....	1
54	70998-G02		BRAKE ASSEMBLY (PASSENGER SIDE) (INCLUDES ITEMS 55 - 62, 64 - 66).....	1
55	70794-G01		BRAKE SHOE KIT (INCLUDES ITEM 56).....	2
56	*		BRAKE SHOE.....	2
57	27944-G01		BRAKE SPRING KIT (INCLUDES ITEMS 58 - 62).....	2
58	*		UPPER SPRING.....	1

BRAKES

Where applicable, THE USE OF NON UL PARTS WILL VOID ANY UL LISTING.

When ordering parts, please specify the model and serial number of the product.

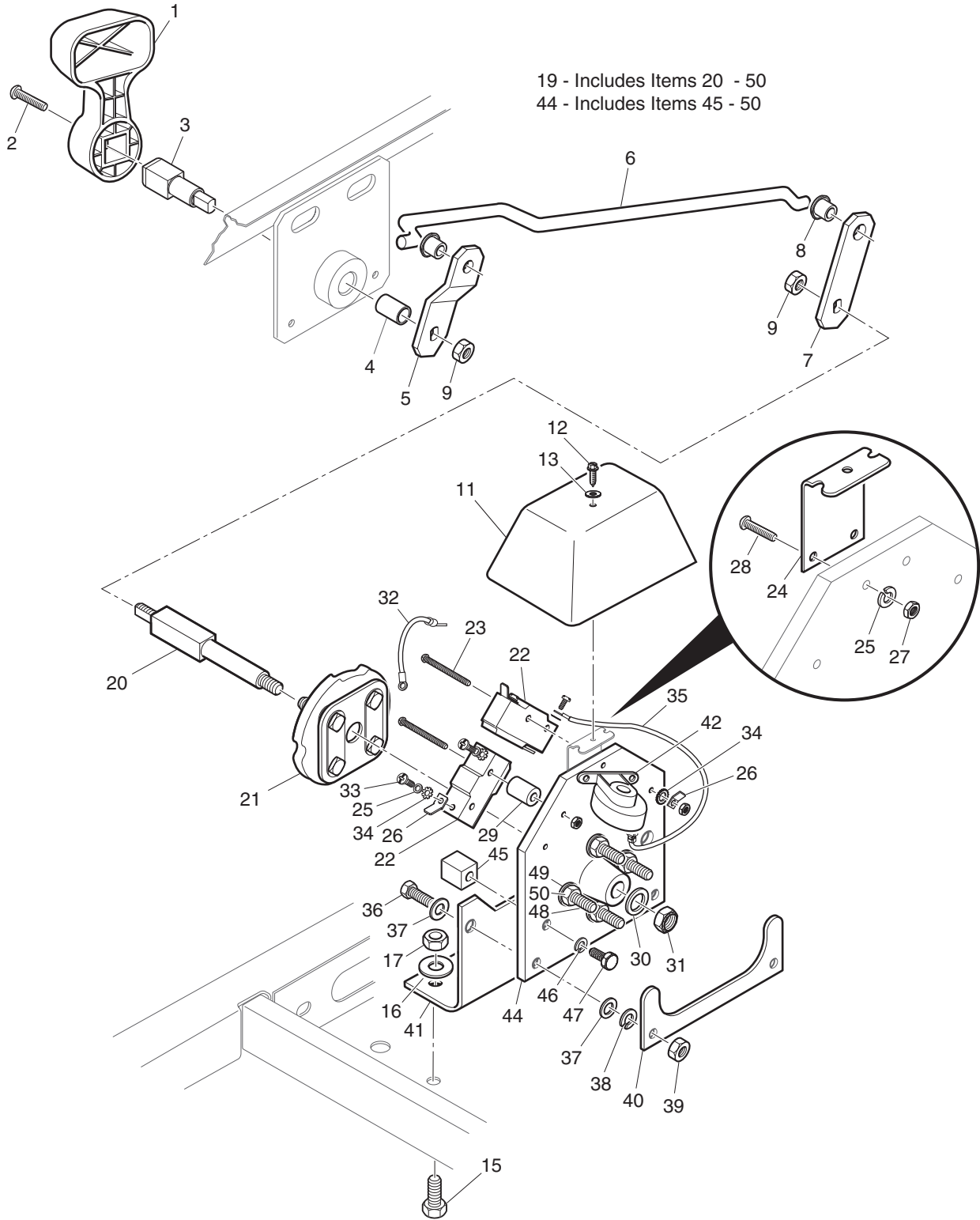
* Indicates a component that is not available as an individual part.

G** Indicates consult Customer Service Department for additional information.

ITEM	PART NO.	1	2	3	4	5	DESCRIPTION	QTY.
59	*						LOWER SPRING	1
60	*						PIN	2
61	*						CUP AND SPRING	2
62	*						ADJUSTER SPRING.....	1
63	72582-G01						BRAKE ADJUSTER KIT (DRIVER SIDE) (INCLUDES ITEMS 65, 66)	
64	72582-G02						BRAKE ADJUSTER KIT (PASSENGER SIDE) (INCLUDES ITEMS 65, 66)	1
65	*						ADJUSTER	1
66	*						TEFLON WASHER	2
67	17083-G2						BOLT, 5/16 - 24 X 1" LG	8
68	15126-G1						LOCK NUT, 5/16 - 24	8
69	15485-G1						WASHER, 13/16"	2
70								
71	19186-G1						BRAKE DRUM ASSEMBLY (INCLUDES ITEMS 72 - 73)	2
72	*						BRAKE DRUM	1
73	19862-G1						LUG BOLT, 1/2 - 20 X 1 3/16" LG	4
74								
75								
76	15487-G1						WASHER, 1 3/8" O.D. X 21/32"	2
77	15483-G1						CASTELLATED NUT, 5/8 - 18	2
78	10387-G1						COTTER PIN, 1/8" X 1 1/2" LG	2
79	74175-G01						SPINDLE CAP.....	2
80								
81	72036-G03						BRAKE CABLE BRACKET (PASSENGER SIDE)	1
82	72036-G04						BRAKE CABLE BRACKET (DRIVER SIDE)	1

DIRECTION SELECTOR

*NOTE: For PDS Direction Selector See ELECTRICAL SYSTEM Section



Ref Dsl 1-1

DIRECTION SELECTOR

Where applicable, THE USE OF NON UL PARTS WILL VOID ANY UL LISTING.

When ordering parts, please specify the model and serial number of the product.

* Indicates a component that is not available as an individual part.

G** Indicates consult Customer Service Department for additional information.

ITEM	PART NO.	1 2 3 4 5	DESCRIPTION	QTY.
1	71205-G01		DIRECTION SELECTOR HANDLE.....	1
2	00740-G4		SCREW, #10 - 32 X 1/2" LG (STAINLESS STEEL).....	1
3	70233-G01		DIRECTION SELECTOR SHAFT	1
4	25664-G2		BUSHING	1
5	70334-G01		OFFSET SHIFT LINKAGE ARM	1
6	70313-G01		LINKAGE ROD.....	1
7	70232-G03		SHIFT LINKAGE ARM	1
8	22754-G3		BUSHING	2
9	14390-G1		LOCK NUT, 3/8 - 24	2
10				
11	73049-G01		DIRECTION SELECTOR COVER	1
12	00114-G6		SCREW, 1/4 - 14 X 3/4" LG	1
13	16469-G1		WASHER, 1/4"	1
14				
15	00438-G6		BOLT, 5/16 - 18 X 3/4" LG	2
16	00571-G2		WASHER, 5/16" (STAINLESS STEEL).....	2
17	11098-G6		LOCK NUT, 5/16 - 18 (STAINLESS STEEL)	2
18				
19	70578-G02		DIRECTION SELECTOR ASSEMBLY (INCLUDES ITEMS 20 - 50).....	1
20	73027-G01		DIRECTION SELECTOR SHAFT	1
21	12835-G1		CAM.....	1
22	10606-G2		MICRO SWITCH.....	2
23	00645-G7		SCREW, #6 - 32 X 2" LG	4
24	73048-G01		COVER BRACKET	1
25	00565-G3		LOCK WASHER, #6	6
26	14628-G1		PUSH ON MALE TERMINAL.....	3
27	00525-G5		NUT, #6 - 32	6
28	00645-G5		SCREW, #6 - 32 X 5/8" LG	2
29	12806-G1		SPACER	4
30	00560-G1		WASHER, 3/8"	1

DIRECTION SELECTOR

Where applicable, THE USE OF NON UL PARTS WILL VOID ANY UL LISTING.

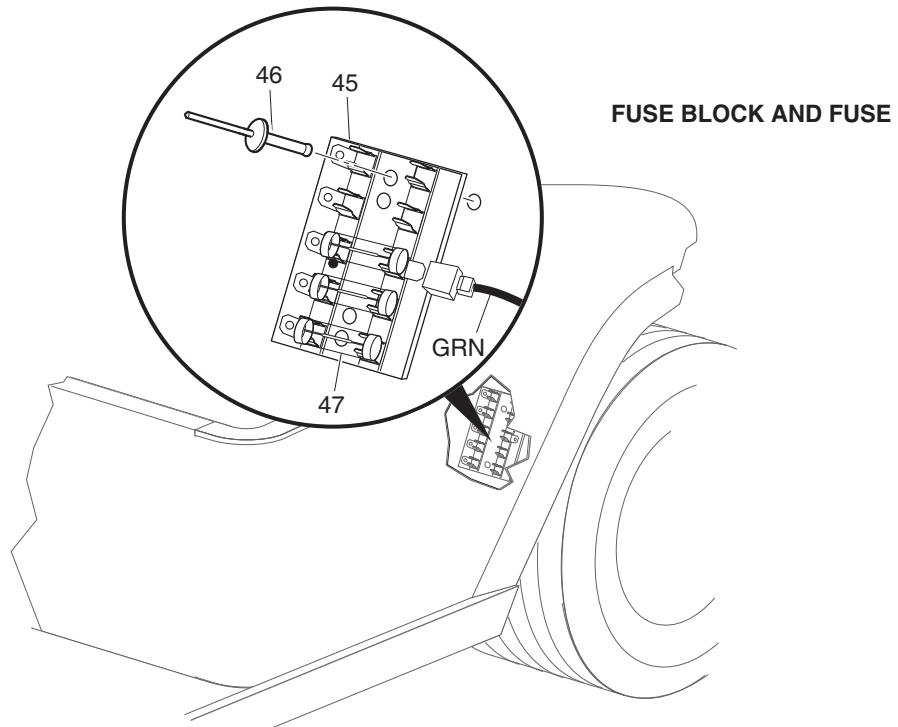
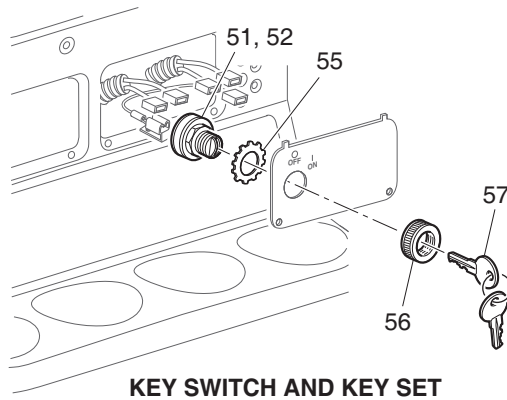
When ordering parts, please specify the model and serial number of the product.

* Indicates a component that is not available as an individual part.

G** Indicates consult Customer Service Department for additional information.

ITEM	PART NO.	1	2	3	4	5	DESCRIPTION	QTY.
31	14390-G1						LOCK NUT, 3/8 - 24.....	1
32	25978-G37						18 GA WIRE (RED 4")	1
33	13514-G1						SCREW.....	4
34	00567-G3						LOCK WASHER, #6	4
35	25978-G343						18 GA WIRE (RED 6")	1
36	00414-G8						BOLT, 1/4 - 20 X 1" LG (STAINLESS STEEL)	2
37	00559-G7						WASHER, 1/4" (STAINLESS STEEL)	4
38	00565-G7						LOCK WASHER, 1/4" (STAINLESS STEEL)	2
39	00532-G1						NUT, 1/4 - 20	2
40	15461-G1						SUPPORT BRACKET.....	1
41	73031-G02						DIRECTION SELECTOR MOUNTING BRACKET	1
42	73290-G02						REVERSE WARNING BUZZER (CONTINUOUS TONE)	1
43								
44	14651-G1						CONTACT BOARD ASSEMBLY (INCLUDES ITEMS 45 - 50).....	1
45	24940-G1						STOP.....	2
46	00565-G7						LOCK WASHER, 1/4" (STAINLESS STEEL)	2
47	00414-G6						BOLT, 1/4 - 20 X 3/4" LG	2
48	18888-G1						CONTACT STUD, 5/16 - 18	4
49	00565-G8						LOCK WASHER, 5/16".....	4
50	00544-G3						NUT, 5/16 - 18.....	4

ELECTRICAL SYSTEM - COMMON



Ref Ele 17-2

ELECTRICAL SYSTEM - COMMON

Where applicable, THE USE OF NON UL PARTS WILL VOID ANY UL LISTING.

When ordering parts, please specify the model and serial number of the product.

* Indicates a component that is not available as an individual part.

G** Indicates consult Customer Service Department for additional information.

ITEM	PART NO.	1	2	3	4	5	DESCRIPTION	QTY.
1	XXXXX-GXX						6 VOLT BATTERY	6
2								
3								
4	01101-G01						HOLD DOWN BOLT (STAINLESS STEEL).....	2
5	70045-G01						BATTERY RETAINER	1
6	11027-G1						LOCK NUT, 5/16 - 18	2
7	607651						4 GA WIRE, GREEN 10".....	1
8	607590						4 GA WIRE, GREEN 7".....	5
9	00702-G2						NUT, 5/16 - 18	12
10								
11								
12								
13	73063-G01						CHARGER RECEPTACLE ASSEMBLY (INCLUDES ITEMS 14 - 23).....	1
14	*						RECEPTACLE COVER	1
15	*						RECEPTACLE BOTTOM	1
16	73051-G05						FEMALE CONNECTOR	2
17	73051-G06						INSULATOR SLEEVE.....	1
18								
19	73051-G08						SCREW, #10 - 32 X 1/2" LG (BRASS)	2
20	73051-G09						SCREW, #6 - 32 X 1 3/4" LG (STAINLESS STEEL).....	3
21	73051-G10						LOCK NUT, #6 - 32	3
22	*						WIRE HARNESS (CHARGER).....	1
23	17618-G1						WIRE TIE	2
24								
25								
26								
27	71055-G01						RIVET, 3/16" X 1" LG (ALUMINUM).....	4
28	17618-G1						WIRE TIE	3
29								
30								

ELECTRICAL SYSTEM - COMMON

Where applicable, THE USE OF NON UL PARTS WILL VOID ANY UL LISTING.

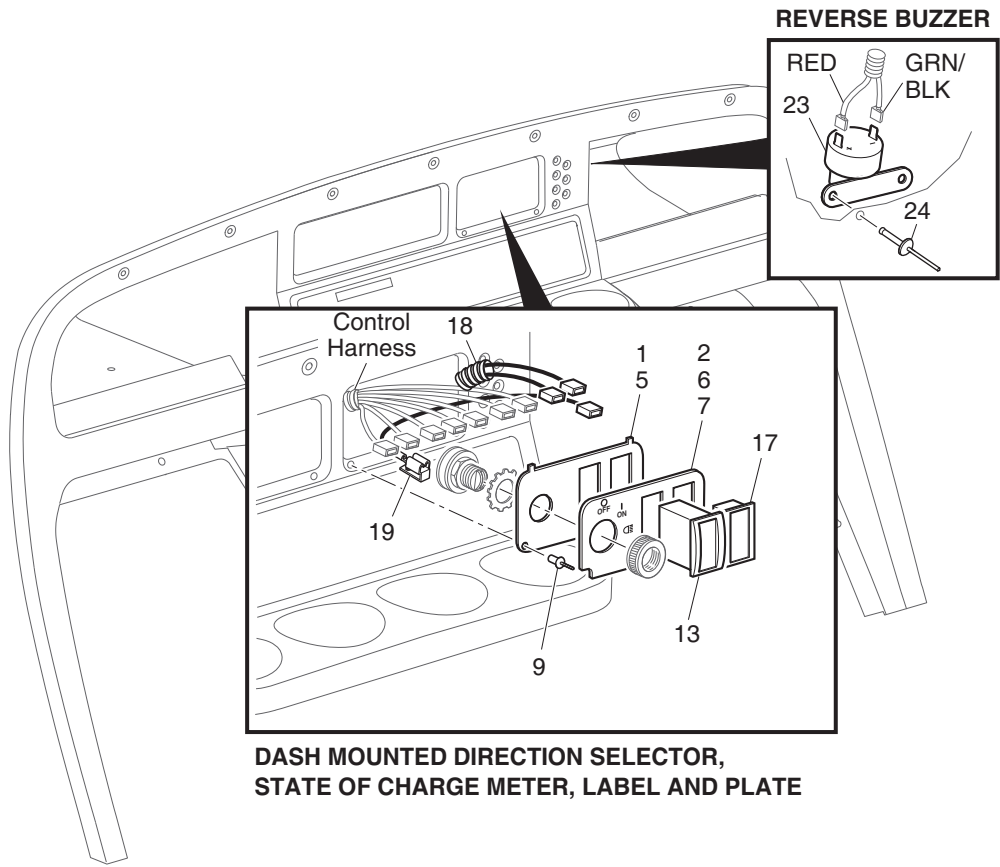
When ordering parts, please specify the model and serial number of the product.

* Indicates a component that is not available as an individual part.

G** Indicates consult Customer Service Department for additional information.

ITEM	PART NO.	1	2	3	4	5	DESCRIPTION	QTY.
31								
32	27327-G02						CABLE CLAMP	1
33	10570-G11						RIVET, 3/16" X 3/4" LG (STAINLESS STEEL)	1
34	17618-G1						WIRE TIE	8
35								
36								
37								
38	00993-G01						LOCK WASHER, 5/16" (SILICON BRONZE)	AR
39	28418-G01						NUT, 5/16 - 18 (BRASS).....	AR
40	00993-G02						LOCK WASHER, 1/4" (SILICON BRONZE)	2
41	28418-G02						NUT, 1/4 - 20 (BRASS).....	2
42								
43								
44								
45	22674-G1						FUSE BLOCK.....	1
46	01041-G01						RIVET, 1/8" X 13/16" LG	2
47	18392-G1						15 AMP FUSE	AR
48								
49								
50								
51	17421-G1						KEY SWITCH KIT (W/O LIGHTS - STANDARD - WITH HARDWARE).....	1
52	17955-G1						KEY SWITCH (WITHOUT LIGHTS - NON STANDARD)	1
53								
54								
55	00568-G6						LOCK WASHER, 3/4".....	1
56	17137-G1						FACE NUT, 3/4 - 20	1
57	17063-G1						KEY (SET).....	1

ELECTRICAL SYSTEM - PDS



**DASH MOUNTED DIRECTION SELECTOR,
STATE OF CHARGE METER, LABEL AND PLATE**

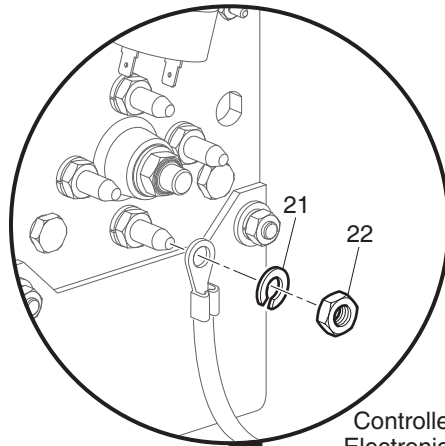
Ref Ele 1-4

ELECTRICAL SYSTEM - PDS

Where applicable, THE USE OF NON UL PARTS WILL VOID ANY UL LISTING.
 When ordering parts, please specify the model and serial number of the product.
 * Indicates a component that is not available as an individual part.
 G** Indicates consult Customer Service Department for additional information.

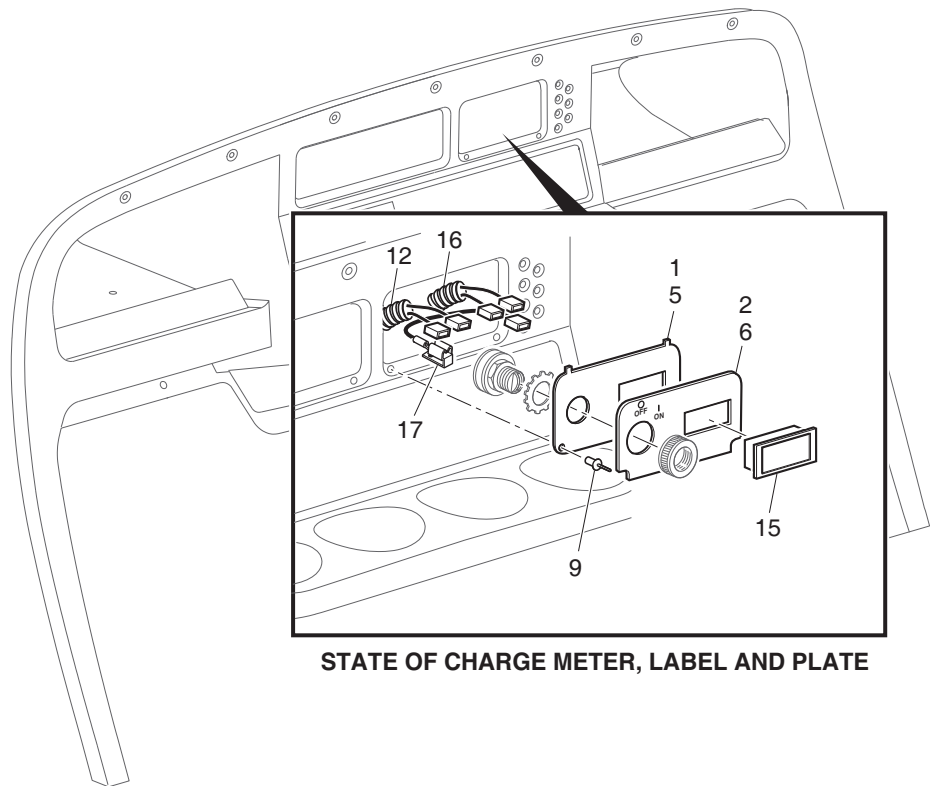
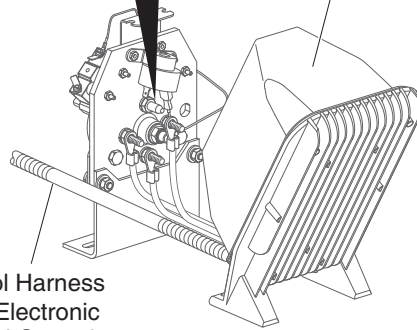
ITEM	PART NO.	1	2	3	4	5	DESCRIPTION	QTY.
1	601016						PLATE (KEY SWITCH, DIRECTION SELECTOR)	1
2	74316-G01						LABEL (KEY SWITCH WITHOUT LIGHTS, DIRECTION SELECTOR).....	1
3								
4								
5	73030-G06						PLATE (KEY SWITCH, DIRECTION SELECTOR, CHARGE METER)	1
6	74320-G01						LABEL (KEY SWITCH WITHOUT LIGHTS, DIRECTION SELECTOR, CHARGE METER)	1
7								
8								
9	33623-G02						DRIVE RIVET, 3/16" X 3/8" LG	2
10								
11								
12								
13	74323-G01						DIRECTION SELECTOR SWITCH (DASH MOUNTED).....	1
14								
15								
16								
17	33636-G04						STATE OF CHARGE METER (VERTICAL)	1
18	74018-G01						WIRE HARNESS (STATE OF CHARGE METER)	1
19	25978-G74						18 GA WIRE (RED 6").....	1
20								
21								
22								
23	73290-G02						REVERSE WARNING BUZZER (CONTINUOUS TONE)	1
24	01041-G01						RIVET, 1/8" X 13/16" LG	2

ELECTRICAL SYSTEM - SERIES



Controller (See Electronic Speed Control Section)

Control Harness (See Electronic Speed Control Section)



STATE OF CHARGE METER, LABEL AND PLATE

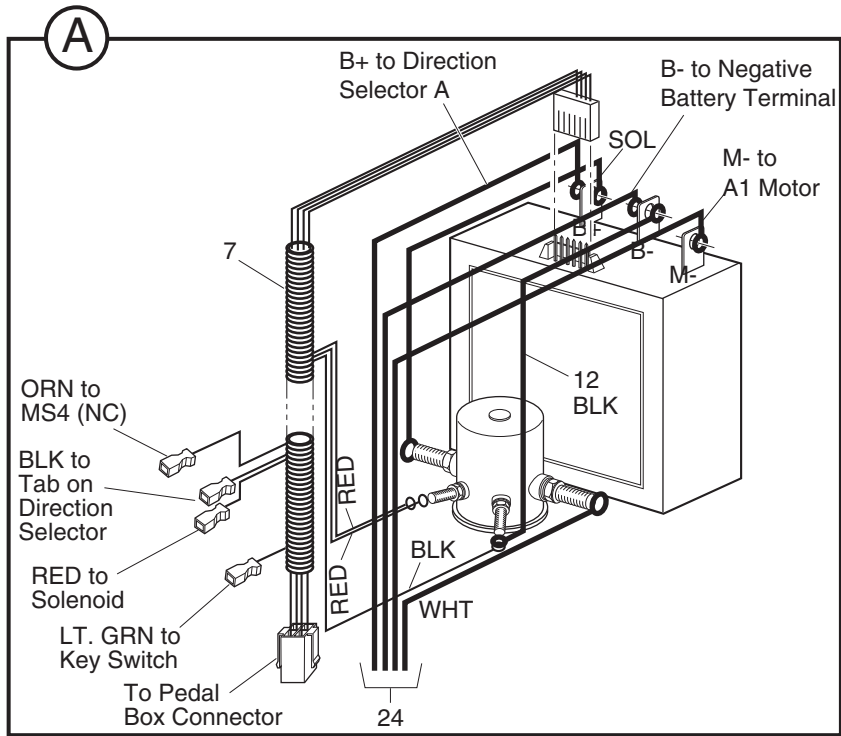
Ref Ele 17-5

ELECTRICAL SYSTEM - SERIES

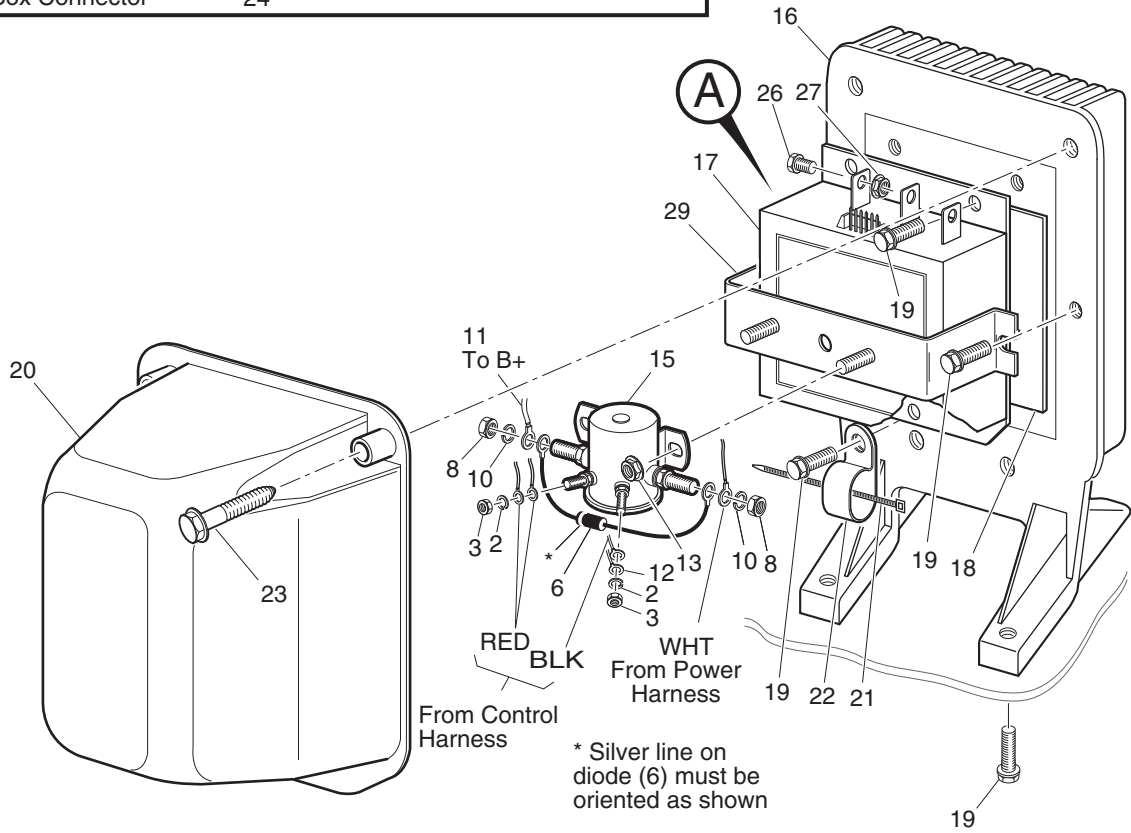
Where applicable, THE USE OF NON UL PARTS WILL VOID ANY UL LISTING.
 When ordering parts, please specify the model and serial number of the product.
 * Indicates a component that is not available as an individual part.
 G** Indicates consult Customer Service Department for additional information.

ITEM	PART NO.	1	2	3	4	5	DESCRIPTION	QTY.
1	601015						PLATE (KEY SWITCH ONLY).....	1
2	71145-G01						LABEL (KEY SWITCH ONLY).....	1
3								
4								
5	73030-G02						PLATE (KEY SWITCH, STATE OF CHARGE METER)	1
6	71123-G02						LABEL (KEY SWITCH W/O LIGHTS, STATE OF CHARGE METER)	1
7								
8								
9	33623-G02						DRIVE RIVET, 3/16" X 3/8" LG	2
10								
11								
12	73041-G01						WIRE HARNESS (KEY SWITCH).....	1
13								
14								
15	33636-G01						STATE OF CHARGE METER	1
16	74018-G01						WIRE HARNESS (STATE OF CHARGE METER)	1
17	25978-G74						18 GA WIRE (RED 6").....	1
18								
19								
20								
21	00565-G8						LOCK WASHER, 5/16".....	4
22	00532-G3						NUT, 5/16 - 18	4

ELECTRONIC SPEED CONTROL - SERIES



1 - Includes Items 2 - 29



Ref Esc 1-1

ELECTRONIC SPEED CONTROL - SERIES

Where applicable, THE USE OF NON UL PARTS WILL VOID ANY UL LISTING.

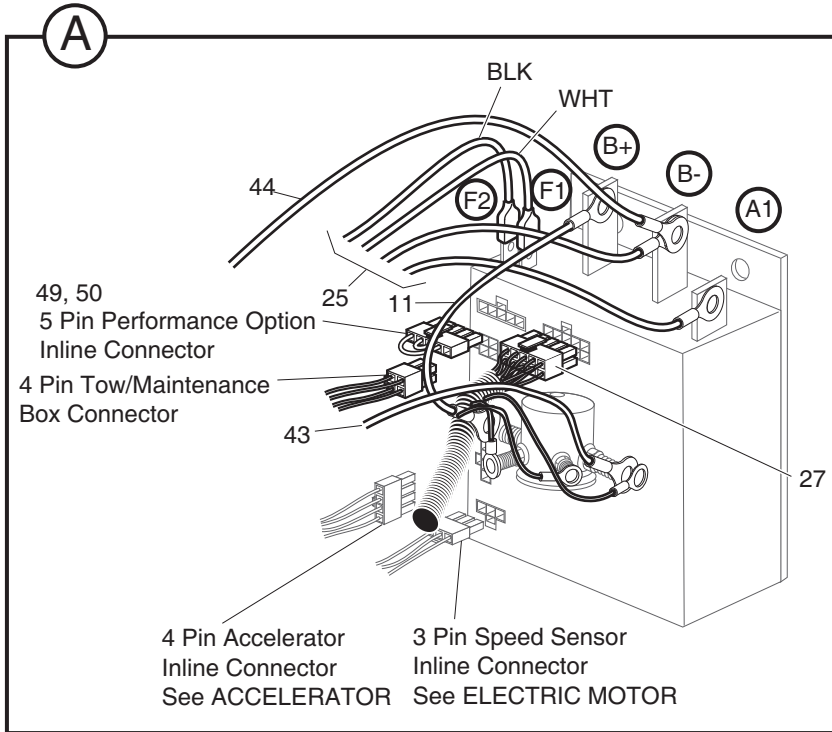
When ordering parts, please specify the model and serial number of the product.

* Indicates a component that is not available as an individual part.

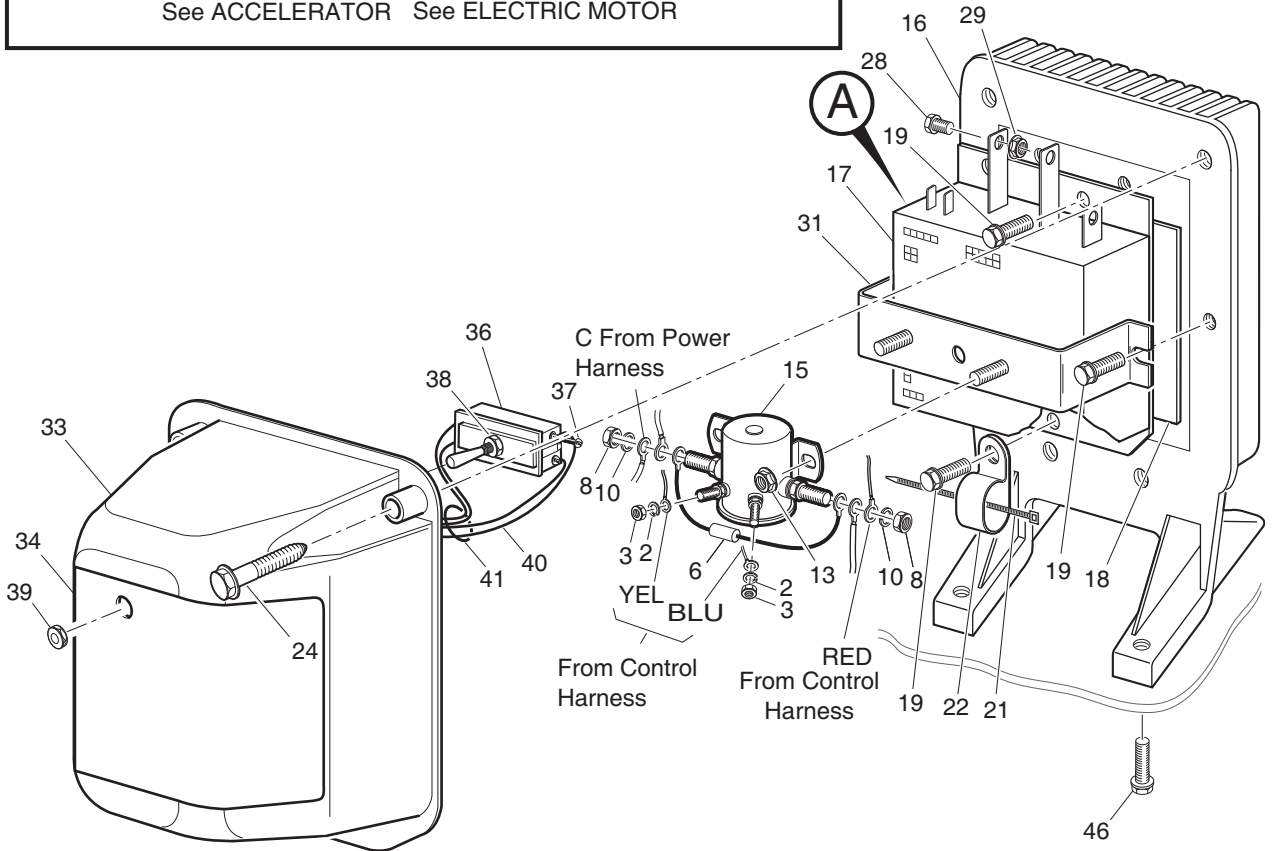
G** Indicates consult Customer Service Department for additional information.

ITEM	PART NO.	1	2	3	4	5	DESCRIPTION	QTY.	
1	73056-G04							ELECTRONIC SPEED CONTROL ASSEMBLY (INCLUDES ITEMS 2 - 31).....	1
2	*							LOCK WASHER, #10	2
3	*							NUT, 10 - 32.....	2
4									
5	30353-G1							DIODE, 3 AMP.....	1
6	21764-G1							RESISTOR.....	1
7	73103-G02							WIRE HARNESS (CONTROL)	1
8	*							NUT, 5/16 - 24.....	2
9									
10	*							LOCK WASHER, 5/16"	2
11	607591							4 GA WIRE GREEN 11.5".....	1
12	25978-G10							18 GA WIRE (SOL - B-).....	1
13	800706							LOCK NUT, 1/4 - 20	2
14									
15	27855-G01							SOLENOID, 36 VOLT	1
16	73471-G01							HEATSINK	1
17	25864-G05							ELECTRONIC SPEED CONTROLLER.....	1
18	73190-G01							THERMAL MOUNTING PAD	1
19	71102-G01							BOLT, 1/4 - 20 X 3/4" LG.....	9
20	73028-G01							COVER	1
21	31539-G1							WIRE TIE	1
22	73053-G01							DOUBLE TUBE CLAMP	1
23	71102-G03							BOLT, 1/4 - 20 X 1 3/16" LG.....	3
24	607656							4 GA WIRE HARNESS, GREEN	1
25									
26	00270-G5							BOLT, 5/16 - 18 X 5/8" LG.....	3
27	11027-G1							LOCK NUT, 5/16 - 18.....	3
28									
29	25866-G01							SOLENOID BRACKET	1

ELECTRONIC SPEED CONTROL - PDS



- 1 - Includes Items 2 - 44
- 32 - Includes Items 33 - 41
- 36 - Includes Items 37 - 39



ReRef Esp 17-1

ELECTRONIC SPEED CONTROL - PDS

Where applicable, THE USE OF NON UL PARTS WILL VOID ANY UL LISTING.

When ordering parts, please specify the model and serial number of the product.

* Indicates a component that is not available as an individual part.

G** Indicates consult Customer Service Department for additional information.

ITEM	PART NO.	1	2	3	4	5	DESCRIPTION	QTY.
1	73276-G02						ELECTRONIC SPEED CONTROL ASSEMBLY (INCLUDES ITEMS 2 - 44).....	1
2	*						LOCK WASHER, #10	2
3	*						NUT, 10 - 32.....	2
4								
5								
6	21764-G1						RESISTOR.....	1
7								
8	*						NUT, 5/16 - 24.....	2
9								
10	*						LOCK WASHER, 5/16"	2
11	607591						4 GA WIRE, GREEN 11.5".....	1
12								
13	800706						LOCK NUT, 1/4 - 20	2
14								
15	27855-G02						SOLENOID, 36 VOLT	1
16	73471-G01						HEATSINK	1
17	73326-G07						ELECTRONIC SPEED CONTROLLER.....	1
18	73190-G01						THERMAL MOUNTING PAD	1
19	71102-G01						BOLT, 1/4 - 20 X 3/4" LG.	5
20								
21	31539-G1						WIRE TIE	1
22	73053-G01						DOUBLE TUBE CLAMP	1
23								
24	71102-G03						BOLT, 1/4 - 20 X 1 3/16" LG.	4
25	73106-G01						WIRE HARNESS (POWER)	1
26								
27	74324-G02						WIRE HARNESS (CONTROL)	1
28	00270-G5						BOLT, 5/16 - 18 X 5/8" LG.	3
29	11027-G1						LOCK NUT, 5/16 - 18	3
30								

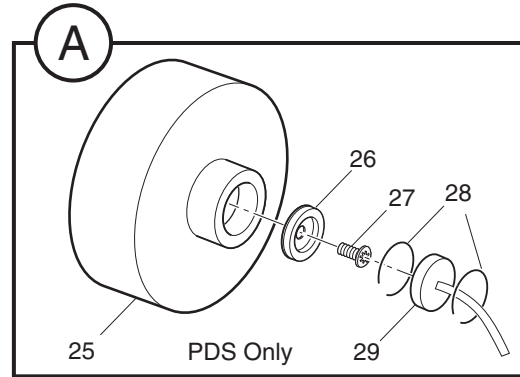
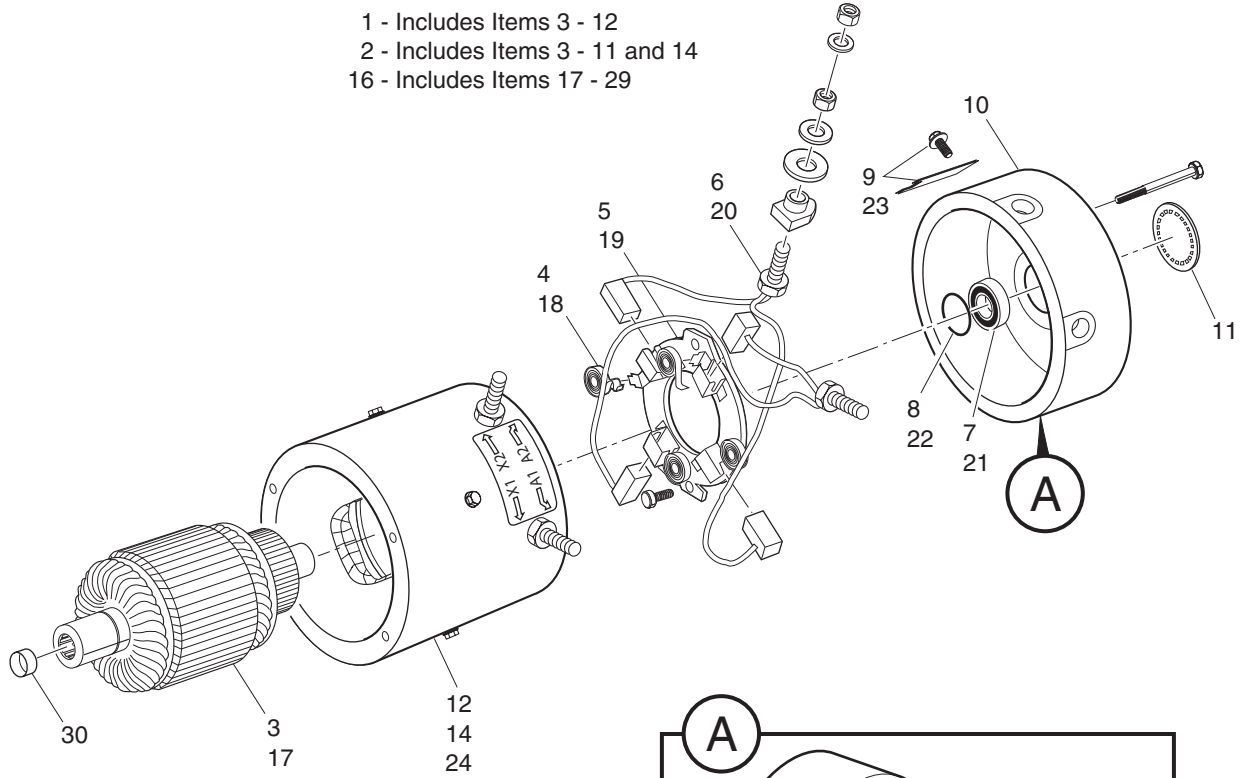
ELECTRONIC SPEED CONTROL - PDS

Where applicable, THE USE OF NON UL PARTS WILL VOID ANY UL LISTING.
 When ordering parts, please specify the model and serial number of the product.
 * Indicates a component that is not available as an individual part.
 G** Indicates consult Customer Service Department for additional information.

ITEM	PART NO.	1	2	3	4	5	DESCRIPTION	QTY.
31	25866-G01						SOLENOID BRACKET	1
32	73089-G01						COVER ASSEMBLY (INCLUDES ITEMS 33 - 41)	1
33	73028-G02						COVER (WITH GASKET)	1
34	73093-G01						LABEL (TOW SWITCH)	1
35								
36	73125-G01						TOGGLE SWITCH WITH SEAL (INCLUDES ITEMS 37 - 39)	1
37	*						SCREW, #5 - 40.....	4
38	*						NUT, 15/32 - 32.....	1
39	73139-G01						SEALED NUT, 15/32 - 32.....	1
40	73138-G02						WIRE HARNESS (TOW SWITCH).....	1
41	17618-G1						WIRE TIE	1
42								
43	607592						4 GA WIRE, GREEN 28"	1
44	607593						4 GA WIRE, GREEN 37"	1
45								
46	71102-G01						BOLT, 1/4 - 20 X 3/4" LG	4
47								
48								
49	73272-G02						PERFORMANCE OPTION (STEEP HILL).....	1
50	73272-G03						PERFORMANCE OPTION (MILD HILL)	1

ELECTRIC MOTOR

- 1 - Includes Items 3 - 12
- 2 - Includes Items 3 - 11 and 14
- 16 - Includes Items 17 - 29



Ref Mtr 1

ELECTRIC MOTOR

Where applicable, THE USE OF NON UL PARTS WILL VOID ANY UL LISTING.

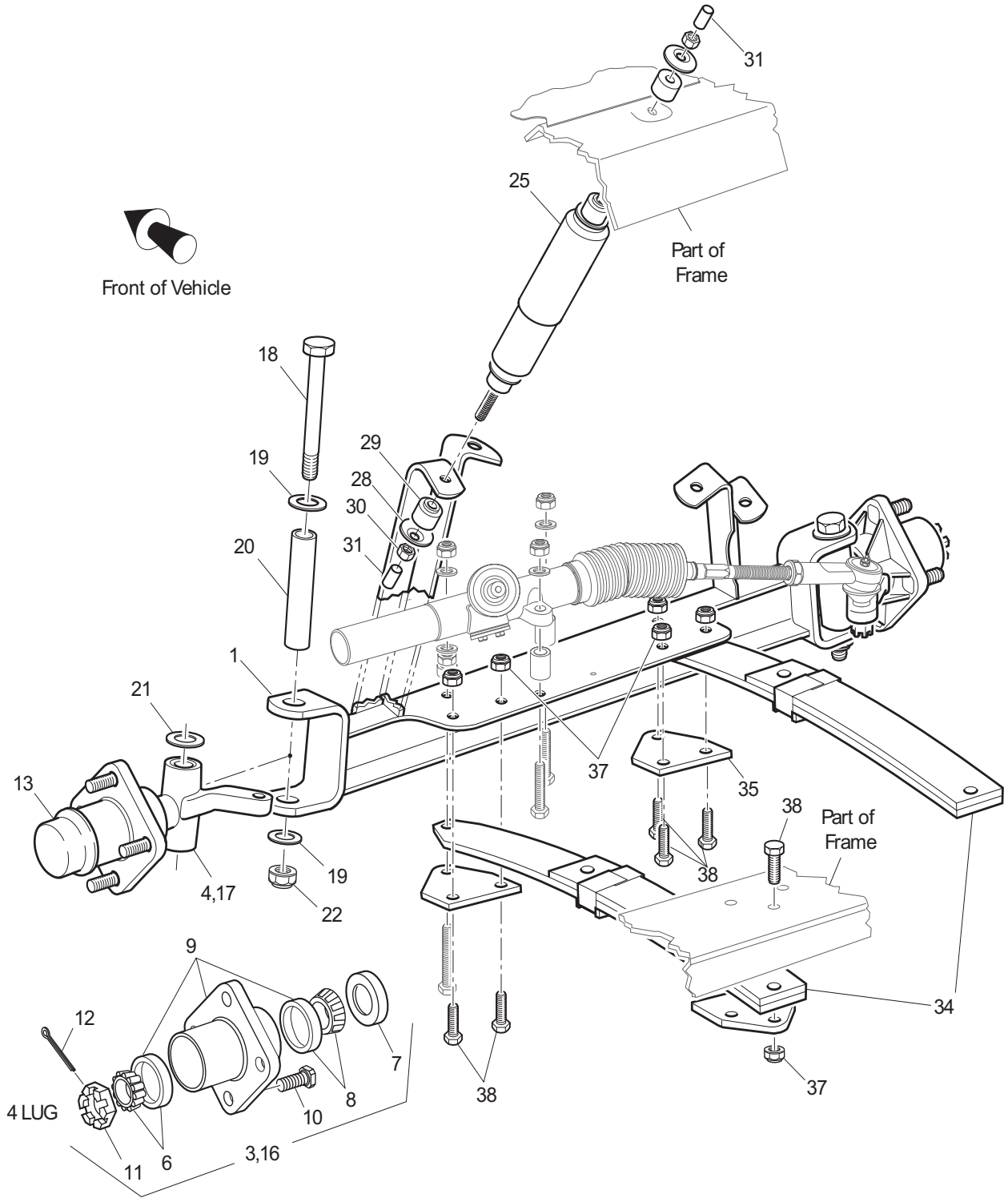
When ordering parts, please specify the model and serial number of the product.

* Indicates a component that is not available as an individual part.

G** Indicates consult Customer Service Department for additional information.

ITEM	PART NO.	1	2	3	4	5	DESCRIPTION	QTY.
1	73445-G01						MOTOR (SERIES, FLEET SPEED) (INCLUDES ITEMS 3 - 12)	1
2	73445-G02						MOTOR (SERIES, HIGH SPEED) (INCLUDES ITEMS 3 - 11, 14)	1
3	73120-G01						ARMATURE	1
4	73120-G03						BRUSH SPRING.....	4
5	73120-G15						BRUSH PLATE AND BOX.....	1
6	73120-G25						BRUSH REPLACEMENT KIT (INCLUDES HARDWARE)	1
7	73120-G07						BEARING	1
8	73120-G06						SNAP RING	1
9	73120-G09						COVER PLATE AND SCREW.....	1
10	73120-G08						COMMUTATOR END HOUSING	1
11	73120-G16						CAP.....	1
12	73120-G29						FRAME AND FIELD COIL (G02 MOTOR) (INCLUDES HARDWARE)	1
13								
14	73120-G31						FRAME AND FIELD COIL (G03 MOTOR) (INCLUDES HARDWARE)	1
15								
16	73445-G02						MOTOR (SEPARATELY EXCITED) (PDS) (INCLUDES ITEMS 17 - 29)	1
17	73120-G18						ARMATURE.....	1
18	73120-G03						BRUSH SPRING.....	4
19	73120-G15						BRUSH PLATE AND BOX.....	1
20	73120-G25						BRUSH REPLACEMENT KIT (INCLUDES HARDWARE)	1
21	73120-G07						BEARING.....	1
22	73120-G06						SNAP RING	1
23	73120-G09						COVER PLATE AND SCREW.....	1
24	73120-G31						FRAME AND FIELD COIL (INCLUDES HARDWARE).....	1
25	73120-G19						COMMUTATOR END HOUSING	1
26	73328-G01						MAGNET.....	1
27	01037-G02						SCREW, #10 - 32 X 1/2" LG.....	1
28	73277-G01						RETAINING RING	2
29	73327-G01						SPEED SENSOR.....	1
30	24261-G1						SPLINE BUMPER	1

FRONT SUSPENSION/STEERING

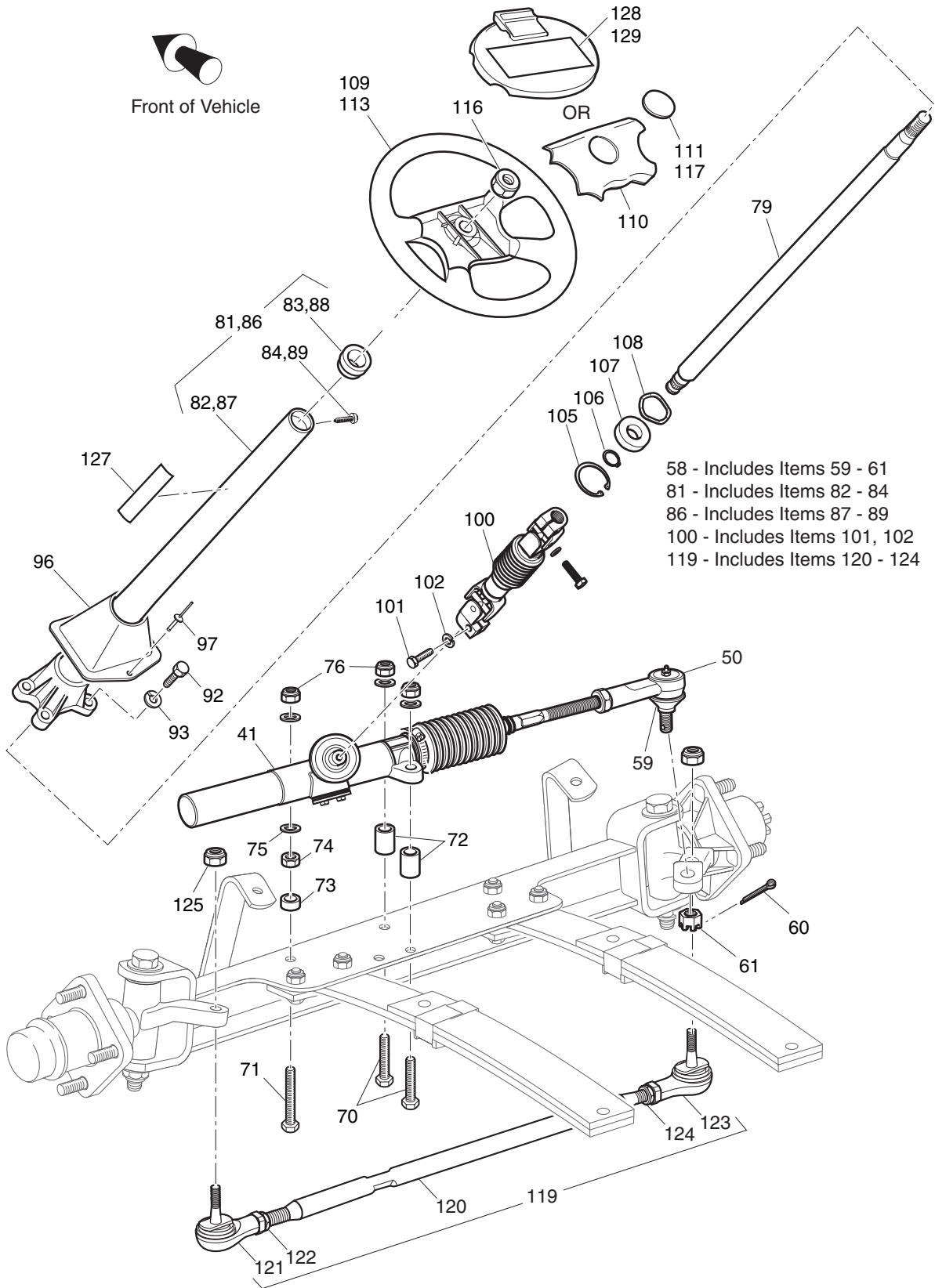


3 - Includes Items 4 - 13
 9 - Includes Item 10
 16 - Includes Items 7 - 13, 17

*NOTE: Tie Rod Not
 Shown for
 Clarity

Ref Ess 21-1

FRONT SUSPENSION/STEERING



Ref Fss 17-2

FRONT SUSPENSION/STEERING

Where applicable, THE USE OF NON UL PARTS WILL VOID ANY UL LISTING.

When ordering parts, please specify the model and serial number of the product.

* Indicates a component that is not available as an individual part.

G** Indicates consult Customer Service Department for additional information.

ITEM	PART NO.	1 2 3 4 5	DESCRIPTION	QTY.
1	602513		FRONT AXLE	1
2				
3	70942-G03		SPINDLE AND HUB ASSEMBLY, 4 LUG (PASSENGER SIDE) (INCLUDES ITEMS 4 - 13).....	1
4	70940-G04		SPINDLE ASSEMBLY (PASSENGER SIDE) (INCLUDES ITEMS 5 - 6).....	1
5	70648-G01		BEARING	1
6	70749-G01		BEARING, DP4.....	1
7	25146-G1		GREASE SEAL.....	1
8	50892-G1		ROLLER BEARING AND RACE ASSEMBLY.....	2
9	70589-G1		WHEEL HUB ASSEMBLY WITH RACES, 4 LUG (INCLUDES ITEM 10)	1
10	19862-G1		LUG BOLT, 1/2 - 20 X 1 7/32" LG.....	4
11	12093-G1		SLOTTED NUT, 1 - 14	1
12	00798-G8		COTTER PIN, 5/32" X 1 3/4" LG	1
13	12091-G2		SPINDLE CAP	2
14				
15				
16	70673-G03		SPINDLE AND HUB ASSEMBLY, 4 LUG (DRIVER SIDE) (INCLUDES ITEMS 7 - 13 & 17)	1
17	70742-G02		SPINDLE ASSEMBLY (DRIVER SIDE) (INCLUDES ITEMS 5 - 6)	1
18	00407-G6		BOLT, 1/2 - 13 X 6" LG	2
19	00560-G3		WASHER, 1/2"	4
20	70745-G01		KING PIN TUBE	2
21	70754-G01		THRUST WASHER (STAINLESS STEEL).....	2
22	14390-G6		LOCK NUT, 1/2 - 13	2
23				
24				
25	76419-G01		SHOCK ABSORBER.....	2
26				
27				
28	10435-G1		SHOCK ABSORBER WASHER.....	8
29	10194-G1		RUBBER SHOCK ABSORBER BUSHING	8

FRONT SUSPENSION/STEERING

Where applicable, THE USE OF NON UL PARTS WILL VOID ANY UL LISTING.

When ordering parts, please specify the model and serial number of the product.

* Indicates a component that is not available as an individual part.

G** Indicates consult Customer Service Department for additional information.

ITEM	PART NO.	1 2 3 4 5	DESCRIPTION	QTY.
30	00532-G6		NUT, 3/8 - 24	4
31	10044-G01		VINYL CAP	4
32				
33				
34	70664-G03		LEAF SPRING (HEAVY DUTY) (SEE PART NUMBER ON SPRING).....	2
35	70163-G03		SPRING PLATE	4
36				
37	00734-G1		LOCK NUT, 7/16 - 14	11
38	00463-G11		BOLT, 7/16 - 14 X 1 3/4" LG	11
39				
40				
41	70964-G02		RACK AND PINION UNIT (COMPLETE) (INCLUDES ITEMS 42 - 65)	1
42	70965-G01		STEERING RACK COVER & BEARING	1
43	*		STEERING BOX INSTALLATION TAG	1
44	*		JAM NUT, 1/2 - 20.....	1
45	70750-G01		RETAINING RING (EXTERNAL)	1
46	15115-G1		BALL BEARING	1
47	70603-G01		PINION.....	1
48	70751-G01		RETAINING RING (INTERNAL)	1
49	70638-G01		SEAL PINION	1
50	70604-G01		RACK STEERING.....	1
51	01053-G01		SCREW, 10- 32.....	1
52	70590-G01		RACK LOADER	1
53	70666-G01		SPRING COMPRESSION	1
54	70645-G01		GASKET RACK LOADER.....	1
55	70591-G01		COVER RACK LOADER	1
56	71102-G01		SCREW, 1/4 - 20.....	2
57	10389-G3		GREASE FITTING, STRAIGHT	1
58	70695-G01		RACK BALL JOINT (INCLUDES ITEMS 59 - 61).....	1
59	50641-G1		RUBBER BOOT	1

FRONT SUSPENSION/STEERING

Where applicable, THE USE OF NON UL PARTS WILL VOID ANY UL LISTING.

When ordering parts, please specify the model and serial number of the product.

* Indicates a component that is not available as an individual part.

G** Indicates consult Customer Service Department for additional information.

ITEM	PART NO.	1	2	3	4	5	DESCRIPTION	QTY.
60	50209-G2						SLOTTED NUT, 7/16 - 20.....	1
61	10387-G2						COTTER PIN, 3/32" X 1" LG.....	1
62	74694-G01						ROD END (INNER).....	1
63	70961-G01						RACK BOOT.....	1
64	12416-G2						WIRE TIE.....	1
65	11391-G8						WIRE TIE.....	1
66								
67								
68								
69								
70	00464-G6						BOLT, 7/16 - 14 X 2 3/4" LG.....	2
71	01068-G01						BOLT, 7/16 - 14 X 3 1/2" LG.....	1
72	70667-G02						SPACER.....	2
73	70667-G03						SPACER (SHORT).....	1
74	00532-G7						NUT, 7/16 - 14.....	1
75	00560-G2						FLAT WASHER, 7/16".....	4
76	00734-G1						LOCK NUT, 7/16 - 14.....	3
77								
78								
79	70607-G01						STEERING SHAFT.....	1
80								
81	70758-G06						STEERING COLUMN KIT (INCLUDES ITEMS 82 - 84).....	1
82	70610-G03						STEERING COLUMN.....	1
83	28569-G01						STEERING COLUMN BUSHING.....	1
84	01022-G01						SCREW, #6 - 20 X 5/16" LG.....	1
85								
86	70758-G08						STEERING COLUMN KIT (HORN) (INCLUDES ITEMS 87 - 89).....	1
87	70610-G04						STEERING COLUMN.....	1
88	28569-G01						STEERING COLUMN BUSHING.....	1
89	01022-G01						SCREW, #6 - 20 X 5/16" LG.....	1

FRONT SUSPENSION/STEERING

Where applicable, THE USE OF NON UL PARTS WILL VOID ANY UL LISTING.

When ordering parts, please specify the model and serial number of the product.

* Indicates a component that is not available as an individual part.

G** Indicates consult Customer Service Department for additional information.

ITEM	PART NO.	1 2 3 4 5	DESCRIPTION	QTY.
90				
91				
92	01006-G01		BOLT, 3/8 - 16 X 1 1/4" LG	4
93	00879-G1		LOCK WASHER, 3/8"	4
94				
95				
96	70997-G01		COVER.....	1
97	71055-G01		RIVET, 3/16" X 1" LG (ALUMINUM).....	1
98				
99				
100	70580-G01		INTERMEDIATE SHAFT (INCLUDES ITEMS 101, 102).....	1
101	01055-G01		BOLT, M8 X 1.25 - 05.....	2
102	00565-G8		LOCK WASHER, 5/16"	2
103				
104				
105	70751-G01		RETAINING RING (INTERNAL).....	1
106	70888-G01		RETAINING RING (EXTERNAL).....	1
107	15112-G1		BALL BEARING	1
108	70887-G01		WAVE WASHER.....	1
109	602980		STEERING WHEEL	1
110	71147-G01		STEERING WHEEL COVER	1
111	74815-G01		LABEL (E-Z-GO)	1
112				
113	602979		STEERING WHEEL	1
114				
115				
116	14390-G2		LOCK NUT, 5/8 - 18	1
117	28909-G01		LABEL (JACOBSEN)	1
118				
119	70876-G02		TIE ROD ASSEMBLY (INCLUDES ITEMS 120 - 124).....	1

FRONT SUSPENSION/STEERING

Where applicable, THE USE OF NON UL PARTS WILL VOID ANY UL LISTING.

When ordering parts, please specify the model and serial number of the product.

* Indicates a component that is not available as an individual part.

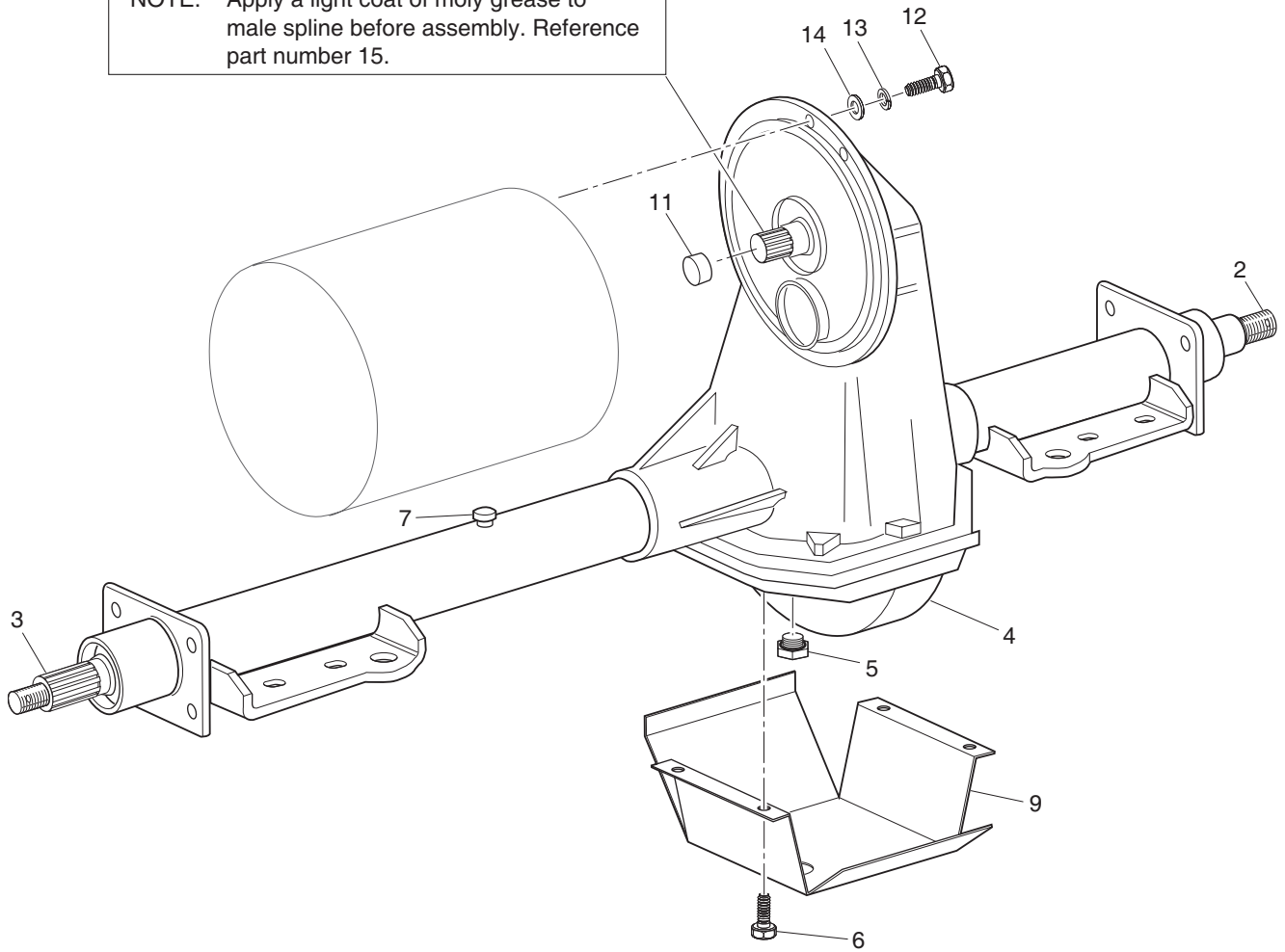
G** Indicates consult Customer Service Department for additional information.

ITEM	PART NO.	1	2	3	4	5	DESCRIPTION	QTY.
120	70897-G02						THREADED ROD (24" LG).....	1
121	70902-G01						TIE ROD END (LEFT HAND THREADS)	1
122	01069-G01						JAM NUT, M12 X 1.25 - 05 (LEFT HAND THREADS).....	1
123	70902-G02						TIE ROD END (RIGHT HAND THREADS).....	1
124	01069-G02						JAM NUT, M12 X 1.25 - 05 (RIGHT HAND THREADS)	1
125	00734-G1						LOCK NUT, 7/16 - 14	2
126								
127	75928-G01						FRENCH STEERING COLUMN SAFETY LABEL	1
128	27647-G02						FRENCH CLIPBOARD SAFETY LABEL (ELECTRIC)	1
129	27826-G02						FRENCH CLIPBOARD SAFETY LABEL (GAS)	1

REAR AXLE

1 - Includes Items 2 - 7

NOTE: Apply a light coat of moly grease to male spline before assembly. Reference part number 15.



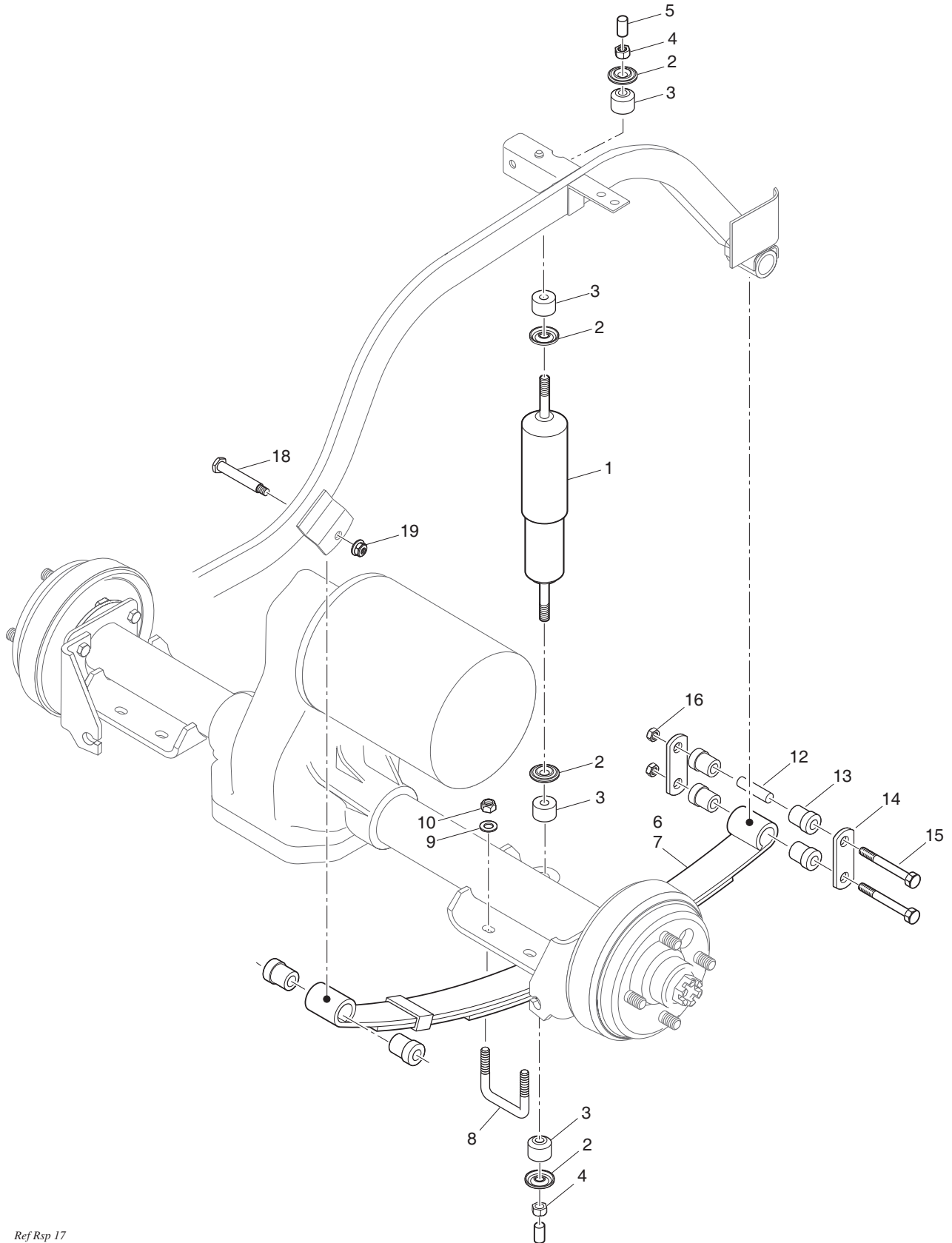
Ref Rax 1

REAR AXLE

Where applicable, THE USE OF NON UL PARTS WILL VOID ANY UL LISTING.
 When ordering parts, please specify the model and serial number of the product.
 * Indicates a component that is not available as an individual part.
 G** Indicates consult Customer Service Department for additional information.

ITEM	PART NO.	1	2	3	4	5	DESCRIPTION	QTY.
1	73500-G01						REAR AXLE ASSEMBLY (INCLUDES ITEMS 2 - 7)	1
2	20377-G12						AXLE SHAFT (PASSENGER SIDE).....	1
3	20377-G11						AXLE SHAFT (DRIVER SIDE).....	1
4	*						DIFFERENTIAL COVER.....	1
5	28610-G01						FILL PLUG WITH 'O' RING.....	1
6	15558-G1						BOLT, 5/16 - 18 X 3/4" LG.....	10
7	73050-G01						VENT	1
8								
9	72763-G02						SCUFF GUARD	1
10								
11	XXXXX-XXX						SPLINE BUMPER (SEE ELECTRIC MOTOR)	1
12	00797-G2						BOLT, 1/4 - 20 X 1 1/4" LG	3
13	00565-G7						LOCK WASHER, 1/4" (STAINLESS STEEL).....	3
14	00559-G7						WASHER, 1/4" (STAINLESS STEEL).....	3
15	28095-G01						MOLY LUBE, 2 OZ.....	AR

REAR SUSPENSION



Ref Rsp 17

REAR SUSPENSION

Where applicable, THE USE OF NON UL PARTS WILL VOID ANY UL LISTING.

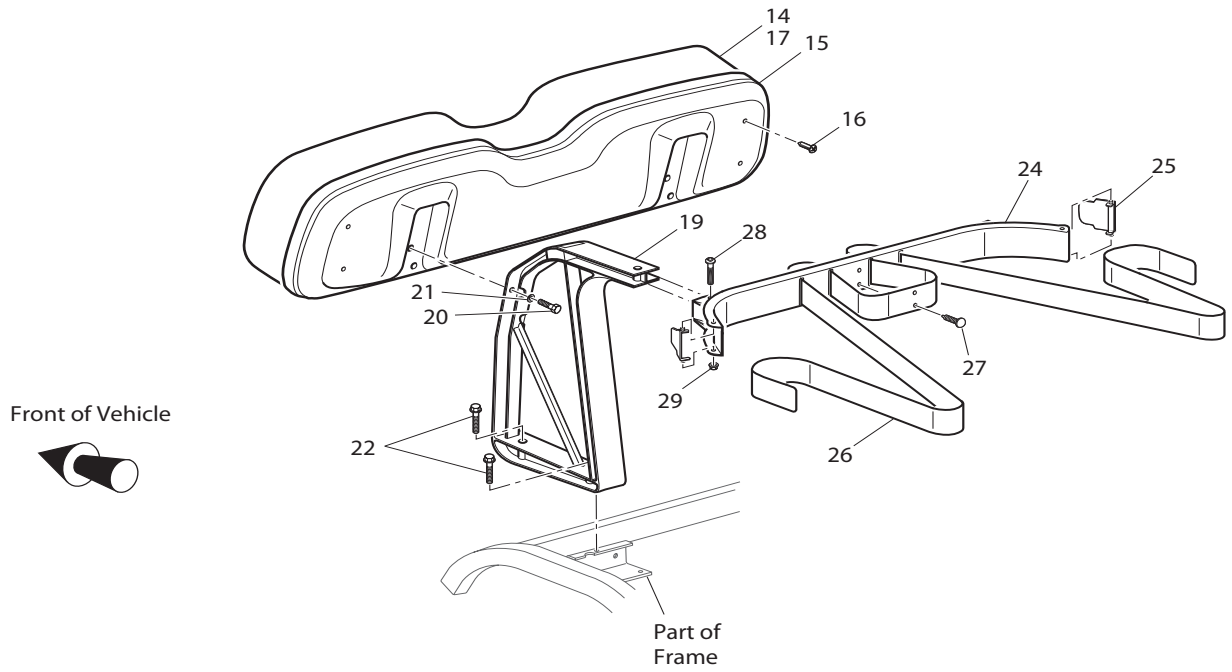
When ordering parts, please specify the model and serial number of the product.

* Indicates a component that is not available as an individual part.

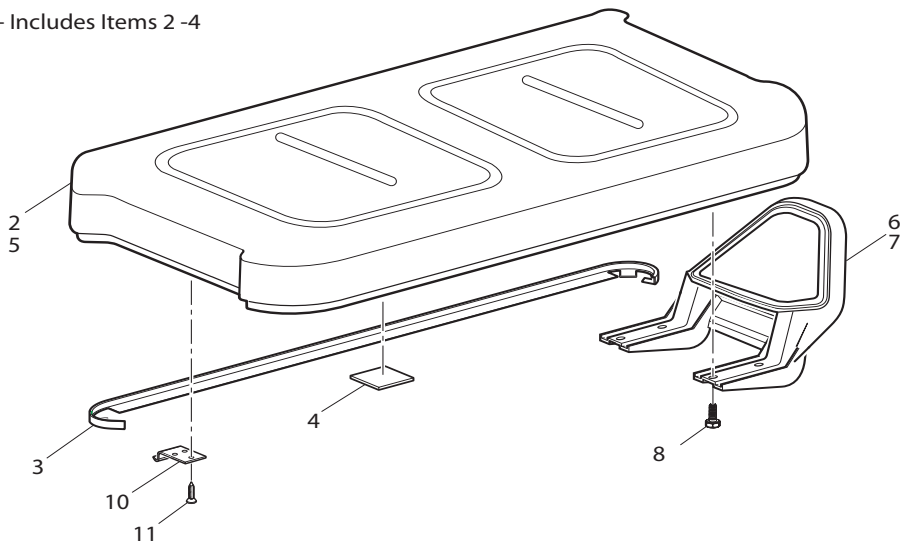
G** Indicates consult Customer Service Department for additional information.

ITEM	PART NO.	1 2 3 4 5	DESCRIPTION	QTY.
1	76418-G01		SHOCK ABSORBER.....	2
2	10435-G1		SHOCK ABSORBER WASHER.....	8
3	10194-G1		RUBBER BUSHING	8
4	00532-G6		NUT, 3/8 - 24.....	4
5	10044-G01		VINYL CAP.....	4
6	603109		LEAF SPRING, 2 LEAF.....	2
7	74207-G03		LEAF SPRING, 4 LEAF.....	2
8	72618-G01		'U' BOLT, 3/8 - 16 X 2" X 2 1/2" LG.....	4
9	00560-G1		WASHER, 3/8"	8
10	11098-G5		LOCK NUT, 3/8 - 16	8
11				
12	70289-G02		SPACER.....	4
13	70291-G01		FLANGED BUSHING (LEAF SPRING).....	12
14	70290-G02		SHACKLE PLATE	4
15	00665-G9		BOLT, 3/8 - 16 X 3 1/2" LG (STAINLESS STEEL).....	4
16	11098-G5		LOCK NUT, 3/8 - 16	4
17				
18	14158-G1		SHOULDER BOLT, 3/8 - 16 X 3 1/4" LG	2
19	12262-G1		LOCK NUT, 3/8 - 16	2

SEATING AND BAG HOLDER - GOLF CAR



1 - Includes Items 2 -4



Ref Sgc 1

SEATING AND BAG HOLDER - GOLF CAR

Where applicable, THE USE OF NON UL PARTS WILL VOID ANY UL LISTING.

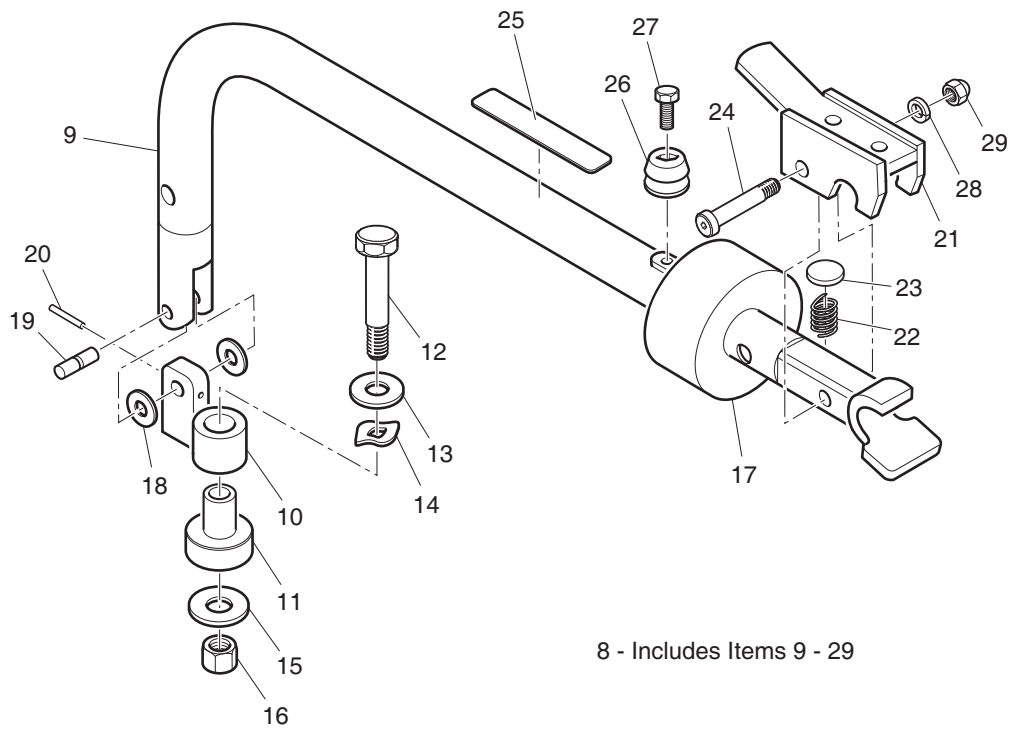
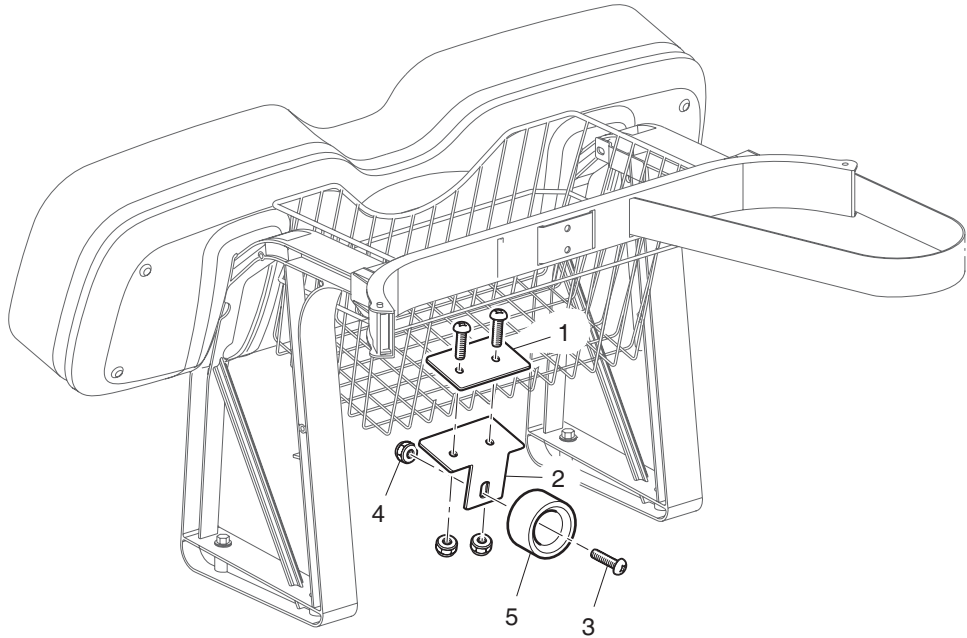
When ordering parts, please specify the model and serial number of the product.

* Indicates a component that is not available as an individual part.

G** Indicates consult Customer Service Department for additional information.

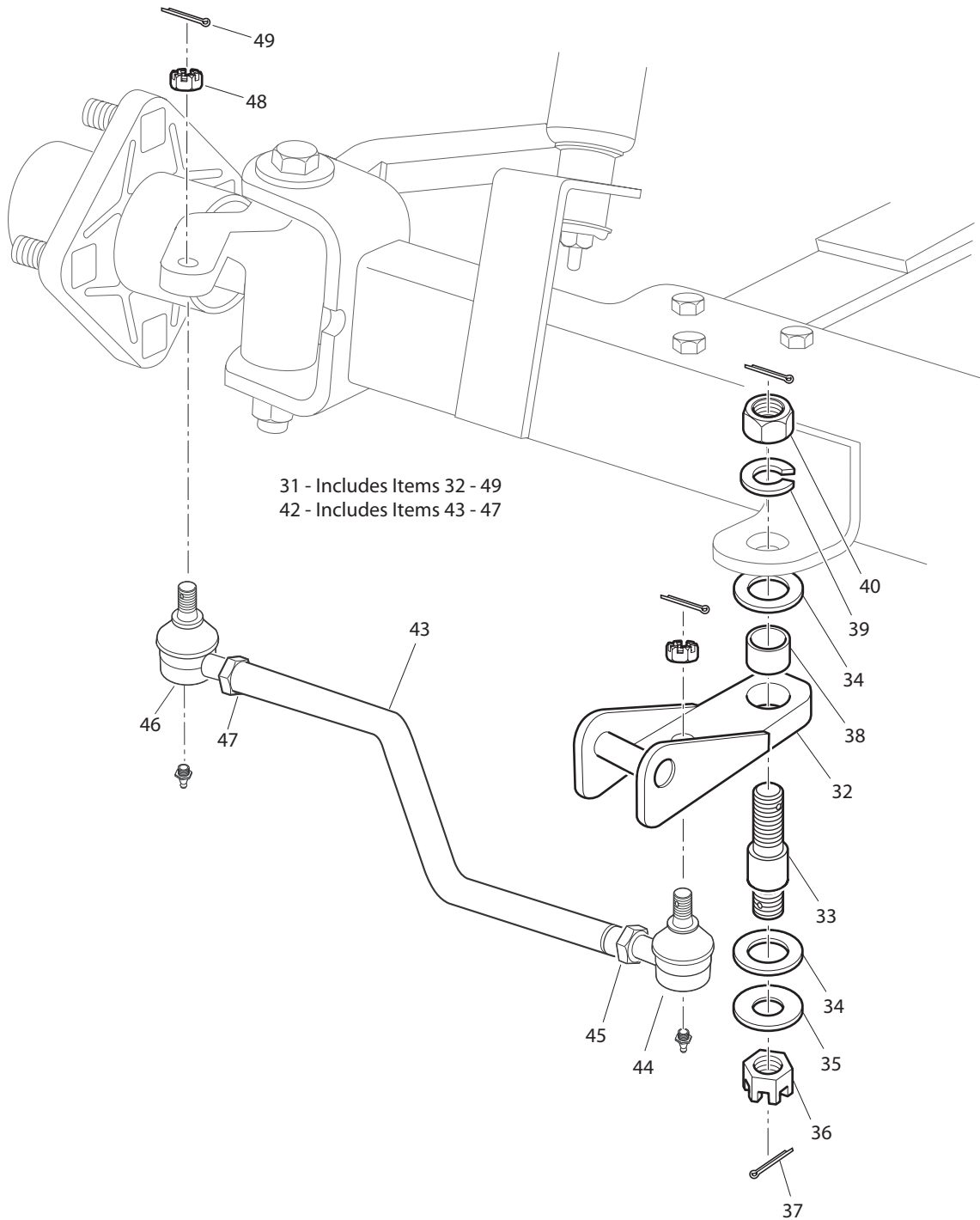
ITEM	PART NO.	1	2	3	4	5	DESCRIPTION	QTY.
1	71611-G**						SEAT BOTTOM ASSEMBLY (INCLUDES ITEMS 2 - 4)	1
2	71602-G**						VINYL SEAT BOTTOM COVER	1
3	71012-G01						VINYL TRIM (SEAT BOTTOM)	1
4	17074-G1						RUBBER PAD	2
5	604912-G**						TWO TONE VINYL SEAT BOTTOM	1
6	71701-G01						HIP RESTRAINT (PASSENGER SIDE)	1
7	71702-G01						HIP RESTRAINT (DRIVER SIDE)	1
8	71204-G01						BOLT, 1/4 - 20 X 7/8" LG	8
9								
10	71610-G01						SEAT HINGE	2
11	00720-G08						SCREW, #12 - 14 X 1" LG (STAINLESS STEEL)	4
12								
13	71751-G**						SEAT BACK ASSEMBLY (INCLUDES ITEMS 14 - 16)	1
14	71753-G**						VINYL SEAT BACK COVER	1
15	71752-G01						PLASTIC SEAT BACK COVER	1
16	01107-G01						SCREW, #8 X 5/8" LG (STAINLESS STEEL)	4
17	604916-G**						TWO TONE VINYL SEAT BACK	1
18								
19	71811-G03						SEAT SUPPORT BRACKET	2
20	00661-G8						BOLT, 1/4 - 20 X 1" LG (STAINLESS STEEL)	4
21	00664-G7						LOCK WASHER, 1/4" (STAINLESS STEEL)	4
22	01075-G01						BOLT, 3/8 - 16 X 2 3/4" LG	4
23								
24	71851-G01						BAG HOLDER BRACKET	1
25	71856-G01						BAG RETAINER CLAMP	2
26	71853-G01						BAG RETAINER STRAP	1
27	16816-G1						RATCHET FASTENER, 1/4" X 9/16" LG	2
28	01102-G01						CARRIAGE BOLT, 1/4 - 20 X 1 1/2" LG (STAINLESS STEEL)	2
29	11027-G2						LOCK NUT, 1/4 - 20	2

TOW BAR - PERMANENT



Ref Twb 1-1

TOW BAR - PERMANENT



Ref Twb 1-2

TOW BAR - PERMANENT

Where applicable, THE USE OF NON UL PARTS WILL VOID ANY UL LISTING.

When ordering parts, please specify the model and serial number of the product.

* Indicates a component that is not available as an individual part.

G** Indicates consult Customer Service Department for additional information.

ITEM	PART NO.	1 2 3 4 5	DESCRIPTION	QTY.
1	75318-G01		MOUNTING PLATE.....	1
2	75319-G01		STOP MOUNT PLATE	1
3	16705-G1		SCREW, 1/4 - 20 X 1" LG (STAINLESS STEEL)	3
4	00891-G2		LOCK NUT, 1/4 - 20 (STAINLESS STEEL)	3
5	75338-G02		FEMALE STOP	1
6				
7				
8	75304-G01		TOW BAR ASSEMBLY (TOWING VEHICLE) (INCLUDES ITEMS 9 - 29)	1
9	75299-G01		TOW BAR	1
10	75302-G01		UPPER PIVOT	1
11	75291-G01		LOWER PIVOT	1
12	00410-G8		BOLT, 1/2 - 20 X 3" LG.....	1
13	00675-G3		WASHER, 1/2" (STAINLESS STEEL).....	1
14	75339-G01		SPRING WASHER	1
15	00571-G5		WASHER, 1/2"	1
16	11098-G8		LOCK NUT, 1/2 - 20.....	1
17	75362-G01		LATCH STOP.....	1
18	75340-G01		WASHER, 3/8"	2
19	75360-G01		PIVOT PIN	1
20	13571-G7		SPRING PIN	1
21	75303-G01		LATCH	1
22	20852-G2		COMPRESSION SPRING	1
23	25661-G02		CUP WASHER.....	1
24	13005-G4		SHOULDER BOLT, 5/16 - 18 X 2" LG.....	1
25	75370-G01		LABEL (WARNING)	1
26	75338-G03		MALE STOP	1
27	12547-G4		BOLT, 6MM X 1 X 30 MM LG.....	1
28	00565-G8		LOCK WASHER, 5/16"	1
29	00520-G3		ACORN NUT, 5/16 - 18 (STAINLESS STEEL)	1
30				

TOW BAR - PERMANENT

Where applicable, THE USE OF NON UL PARTS WILL VOID ANY UL LISTING.
 When ordering parts, please specify the model and serial number of the product.
 * Indicates a component that is not available as an individual part.
 G** Indicates consult Customer Service Department for additional information.

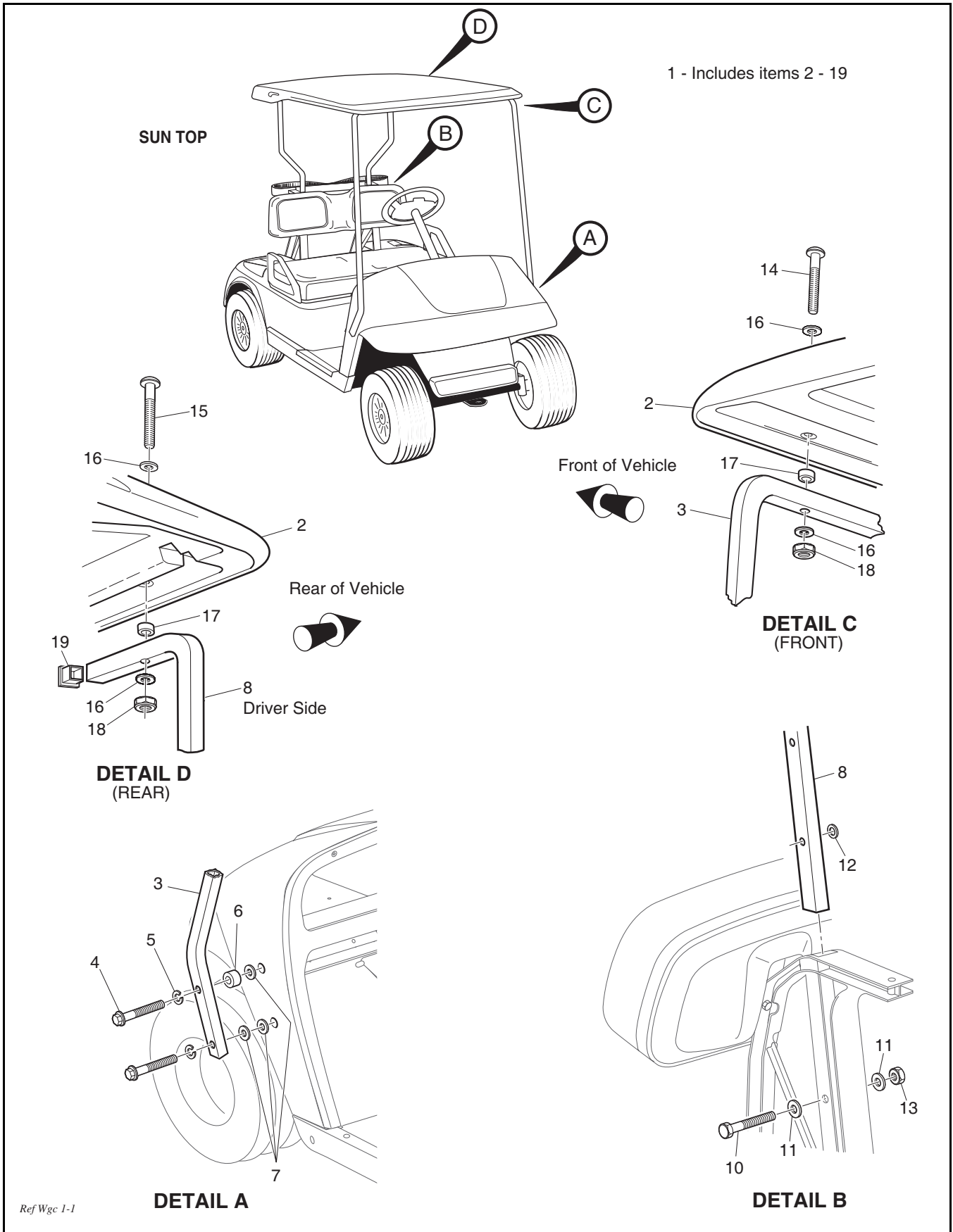
ITEM	PART NO.	1 2 3 4 5	DESCRIPTION	QTY.
31	75308-G01		TOW BAR HITCH ASSEMBLY (TOWED VEHICLE) (INCLUDES ITEMS 32 - 49).....	1
32	75305-G01		HITCH.....	1
33	75292-G01		PIVOT BOLT.....	1
34	75309-G01		THRUST WASHER.....	2
35	75342-G01		WASHER, 3/4".....	1
36	00518-G8		CASTELLATED NUT, 3/4 - 16.....	1
37	10387-G1		COTTER PIN, 1/8" X 1 1/2" LG.....	2
38	75307-G01		BEARING.....	1
39	00566-G6		LOCK WASHER, 3/4".....	1
40	00533-G8		NUT, 3/4 - 16.....	1
41				
42	602981		TIE ROD ASSEMBLY (INCLUDES ITEMS 43 - 47).....	1
43	603089		THREADED ROD.....	1
44	27205-G01		TIE ROD END (LEFT HAND THREADS).....	1
45	18434-G3		JAM NUT, M12 X 1.25-05 (LEFT HAND THREADS).....	1
46	27205-G02		TIE ROD END (RIGHT HAND THREADS).....	1
47	18434-G4		JAM NUT, M12 X 1.25-05 (RIGHT HAND THREADS).....	1
48	50209-G2		CASTELLATED NUT, 7/16 - 20.....	2
49	10387-G2		COTTER PIN, 3/32" X 1" LG.....	2

TOW BAR - CASUAL

Where applicable, THE USE OF NON UL PARTS WILL VOID ANY UL LISTING.
 When ordering parts, please specify the model and serial number of the product.
 * Indicates a component that is not available as an individual part.
 G** Indicates consult Customer Service Department for additional information.

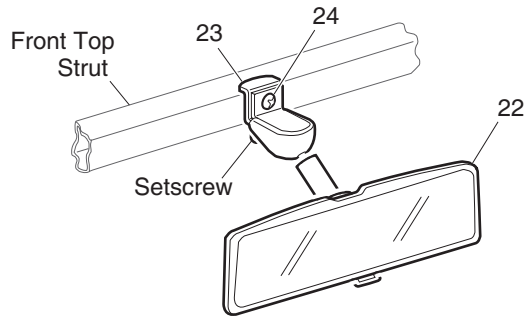
ITEM	PART NO.	1	2	3	4	5	DESCRIPTION	QTY.	
1	75033-G01	CASUAL TOW BAR (INCLUDES ITEMS 2 - 15)							1
2	*	TOW BAR							1
3	75034-G01	TIE ROD (INCLUDES NUT AND COTTER PIN)							1
4	75060-G01	COUPLING							1
5	*	LOCK PIN							1
6	75065-G01	COMPRESSION SPRING							1
7	00922-G2	WASHER, 3/8"							1
8	10387-G2	COTTER PIN, 3/32" X 1" LG							1
9	75068-G01	SAFETY PIN							1
10	14869-G5	WIRE ROPE							1
11	16783-G1	FERRULE							3
12	75067-G01	FERRULE							1
13	75035-G02	HEX HEAD PLUG							1
14	14869-G3	WIRE ROPE							1
15	75091-G01	LABEL (WARNING)							1

WEATHER PROTECTION - GOLF CAR

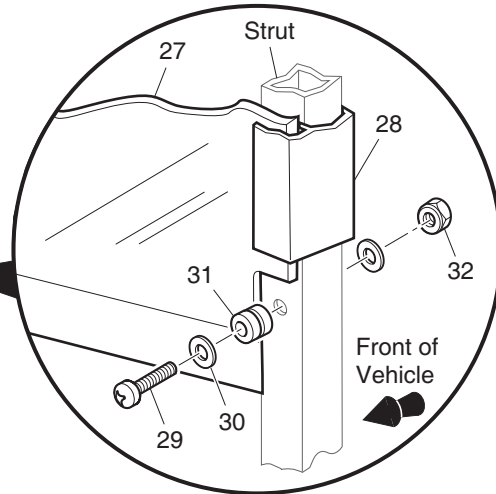
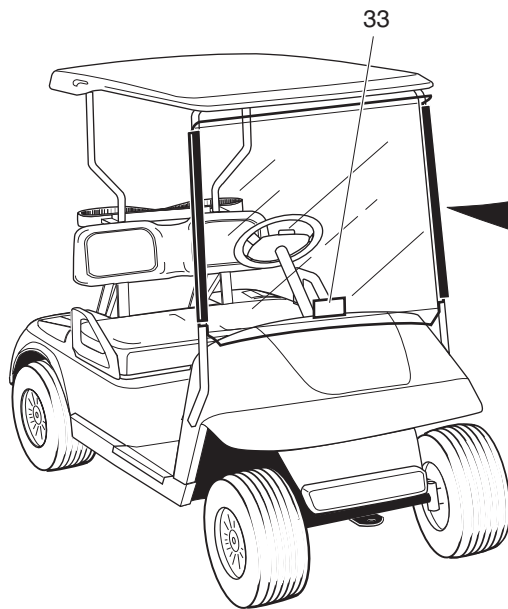


Ref Wgc 1-1

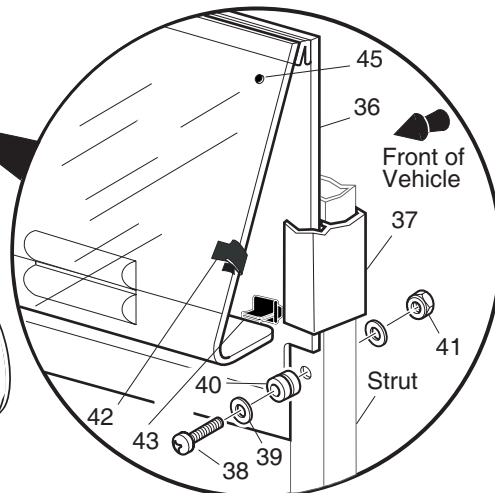
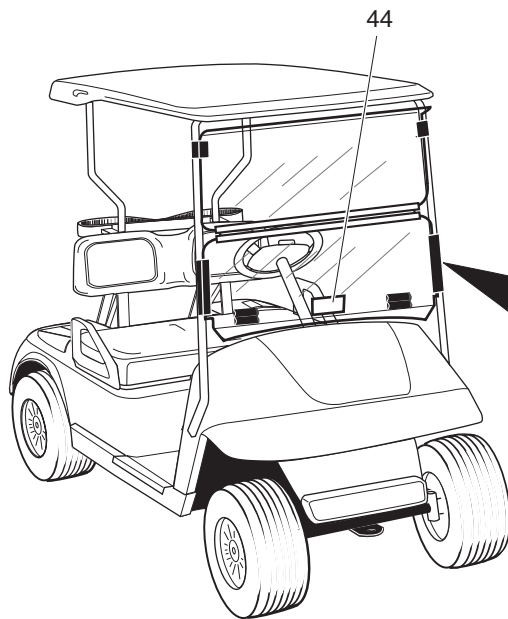
WEATHER PROTECTION - GOLF CAR



REAR VIEW MIRROR
21 - Includes Items 22 - 24



FULL WINDSHIELD
26 - Includes Items 27 - 33



FOLD DOWN WINDSHIELD
35 - Includes Items 36 - 45

Ref Wgc 1-2

WEATHER PROTECTION - GOLF CAR

Where applicable, THE USE OF NON UL PARTS WILL VOID ANY UL LISTING.

When ordering parts, please specify the model and serial number of the product.

* Indicates a component that is not available as an individual part.

G** Indicates consult Customer Service Department for additional information.

ITEM	PART NO.	1	2	3	4	5	DESCRIPTION	QTY.
		For service or replacement parts, contact: Eagle Parts, Inc. 1411 Marvin Griffin Rd. Augusta, GA 30906 Telephone (706) 790-6687 or FAX (706) 790-6066						
1	75040-G**	SUN TOP KIT (GOLF CAR) (INCLUDES ITEMS 2 - 19)						1
2	27069-G**	SUN TOP						1
3	75045-G05	FRONT STRUT						1
4	01035-G01	BOLT, 5/16 - 18 X 2 1/4" LG						4
5	00905-G8	LOCK WASHER, 5/16"						4
6	75048-G01	SPACER, 1/2"						2
7	00570-G2	WASHER, 5/16"						6
8	75046-G02	REAR STRUT						2
9								
10	00685-G7	BOLT, 5/16 - 18 X 1 3/4" LG (STAINLESS STEEL)						4
11	01110-G03	WASHER, 5/16" (STAINLESS STEEL)						8
12	17255-G1	TEFLON WASHER, 5/16"						4
13	01109-G01	LOCK NUT, 5/16 - 18 (STAINLESS STEEL)						4
14	00753-G5	SCREW, 1/4 - 20 X 2" LG (STAINLESS STEEL)						2
15	00753-G6	SCREW, 1/4 - 20 X 2 1/4" LG (STAINLESS STEEL)						2
16	01110-G01	WASHER, 1/4" (STAINLESS STEEL)						8
17	75051-G01	SPACER						4
18	00654-G2	LOCK NUT, 1/4 - 20 (STAINLESS STEEL)						4
19	19853-G1	END CAP, 1"						2
20								
21	19528-G3	REAR VIEW MIRROR KIT (INCLUDES ITEMS 22 - 24)						1
22	19496-G1	REAR VIEW MIRROR						1
23	19502-G3	SUPPORT BRACKET						1
24	19527-G1	SCREW, #8 - 32 X 5/8" LG (STAINLESS STEEL)						1
25								

WEATHER PROTECTION - GOLF CAR

Where applicable, THE USE OF NON UL PARTS WILL VOID ANY UL LISTING.

When ordering parts, please specify the model and serial number of the product.

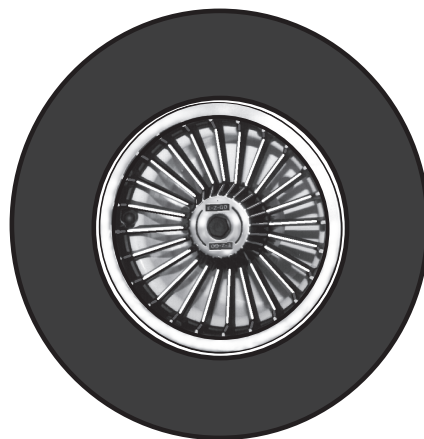
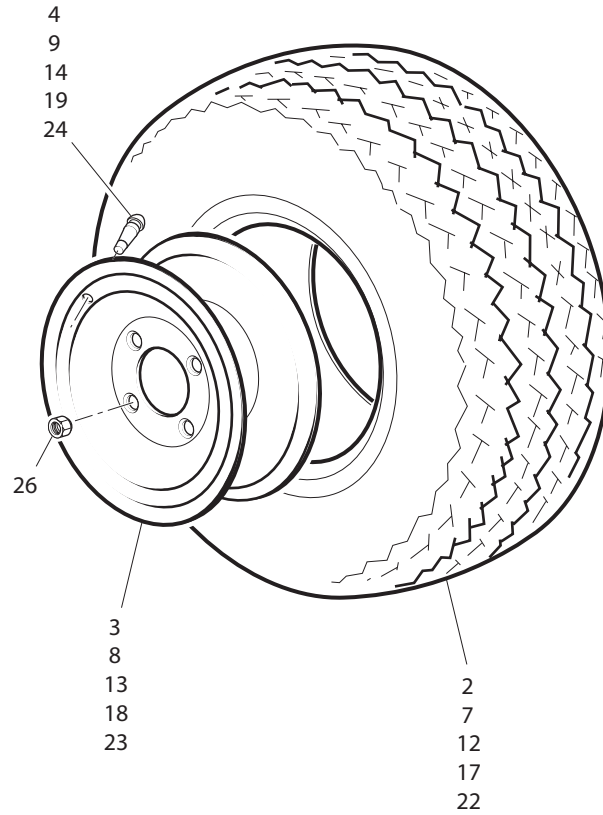
* Indicates a component that is not available as an individual part.

G** Indicates consult Customer Service Department for additional information.

ITEM	PART NO.	1	2	3	4	5	DESCRIPTION	QTY.
26	75524-G01						WINDSHIELD KIT (GOLF CAR) (INCLUDES ITEMS 27 - 33).....	1
27	*						WINDSHIELD	1
28	EGWHC12						SASH, 26" LG	2
29	EGWHS12						SCREW, 1/4 - 20 X 1 3/4" LG (STAINLESS STEEL)	2
30	EGWHW12						WASHER, 1/4" (STAINLESS STEEL)	4
31	EGWHG13						RUBBER GROMMET	2
32	EGWHN12						LOCK NUT, 1/4 - 20 (STAINLESS STEEL)	2
33	EGWHL14						LABEL (SAFETY)	1
34								
35	74910-G01						FOLD DOWN WINDSHIELD KIT (GOLF CAR) (INCLUDES ITEMS 36 - 44).....	1
36	110-052C						WINDSHIELD	1
37	110-032A						SASH, 12" LG	2
38	EGWHS12						SCREW, 1/4 - 20 X 1 3/4" LG (STAINLESS STEEL)	2
39	EGWHW12						WASHER, 1/4" (STAINLESS STEEL)	4
40	EGWHG13						RUBBER GROMMET	2
41	EGWHN12						LOCK NUT, 1/4 - 20 (STAINLESS STEEL)	2
42	110-055C						TOP GRIP, 3/4" X 2"	2
43	110-056C						BOTTOM GRIP	2
44	110-066						LABEL (SAFETY)	1
45	110-080B						BUMPERS	2

WHEELS AND TIRES

- 1 - Includes Items 2 - 4
- 6 - Includes Items 7 - 9
- 11 - Includes Items 12 - 14
- 16 - Includes Items 17 - 19
- 21 - Includes Items 22 - 24



RefWhl 17

SILVER / GOLD SPOKE HUBCAP
32, 34

WHEELS AND TIRES

Where applicable, THE USE OF NON UL PARTS WILL VOID ANY UL LISTING.
 When ordering parts, please specify the model and serial number of the product.
 * Indicates a component that is not available as an individual part.
 G** Indicates consult Customer Service Department for additional information.

ITEM	PART NO.	1	2	3	4	5	DESCRIPTION	QTY.
1	27771-G01						TIRE AND WHEEL ASSEMBLY (LINKS 1 18 X 8.5 - 8) (INCLUDES ITEMS 2 - 4).....	4
2	28757-G01						LINKS 1 CARLISLE TIRE, 18 X 8.5 - 8	1
3	28759-G01						WHEEL RIM (4 LUG).....	1
4	11657-G2						VALVE STEM.....	1
5								
6	27771-G03						WHEEL AND TIRE ASSEMBLY (TURF SAVER 18 X 8.5 - 8) (INCLUDES ITEMS 7 - 9).....	4
7	28757-G03						CARLISLE TIRE (TURF SAVER 18 X 8.5 - 8).....	1
8	28759-G01						WHEEL RIM (4 LUG).....	1
9	11657-G2						VALVE STEM.....	1
10								
11	27774-G01						WHEEL AND TIRE ASSEMBLY SURE TRAIL 6-PLY 18.5 X 8.5 - 8) (INCLUDES ITEMS 12 - 14).....	4
12	28842-G01						CARLISLE TIRE (SURE TRAIL, 6 PLY 18 X 8.5 - 8).....	1
13	28759-G01						WHEEL RIM (4 LUG).....	1
14	11657-G2						VALVE STEM.....	1
15								
16	27772-G02						WHEEL AND TIRE ASSEMBLY (TURF GLIDE 18 X 8.5 - 8) (INCLUDES ITEMS 17 - 19).....	4
17	27772-G06						CARLISLE TIRE (TURF GLIDE 18 X 8.5 - 8).....	1
18	15169-G1						WHEEL RIM (4 LUG).....	1
19	11657-G2						VALVE STEM.....	1
20								
21	27772-G04						WHEEL AND TIRE ASSEMBLY (FAIRWAY 18 X 8.5 - 8) (INCLUDES ITEMS 22 - 24).....	4
22	27772-G08						CARLISLE TIRE (FAIRWAY 18 X 8.5 - 8).....	1
23	15169-G1						WHEEL RIM (4 LUG).....	1
24	11657-G2						VALVE STEM.....	1
25								
26	14723-G1						LUG NUT, 1/2 - 20.....	8
27								

WHEELS AND TIRES

Where applicable, THE USE OF NON UL PARTS WILL VOID ANY UL LISTING.
 When ordering parts, please specify the model and serial number of the product.
 * Indicates a component that is not available as an individual part.
 G** Indicates consult Customer Service Department for additional information.

ITEM	PART NO.	1	2	3	4	5	DESCRIPTION	QTY.
28								
29								
30								
31								
32	19241-G2						GOLD SPOKE HUBCAP	4
33								
34	19241-G1						SILVER SPOKE HUBCAP	4

SPECIALTY PRODUCTS

SPECIALTY PRODUCTS

SPECIALTY PRODUCTS

SPECIAL TOOLS	PART NO.
BATTERY MAINTENANCE KIT	25587-G01
SEAL INSTALLATION TOOL (REAR AXLE SHAFT SEAL)	18739-G1
BATTERY SET DISCHARGER, 36 VOLT, 75 AMP	28251-G01
CURRENT INDICATOR	16489-G2
DIGITAL MULTI-METER	27481-G01
CRIMPING TOOL	27765-G01
TUBELESS TIRE REPAIR KIT	606009
TIRE PLUGGER REFILL PACK(50/BOX)	606831

TOUCH UP PAINT	PART NO.
PEN 3 OUNCE (89 ML) - HUNTER GREEN	28432-G02
PEN 3 OUNCE (89 ML) - CHAMPAGNE BEIGE	28432-G01
PEN 3 OUNCE (89 ML) - WHITE	28432-G05
PEN 3 OUNCE (89 ML) - INDUSTRIAL YELLOW	28432-G03
PEN 3 OUNCE (89 ML) - ORANGE	28432-G04
PEN 3 OUNCE (89 ML) - STEEL BLUE PEARL	28432-G**
PEN 3 OUNCE (89 ML) - CAMOUFLAGE PAINT (THREE PENS)	75831-G01
AEROSOL 12 OUNCE (360 ML) - HUNTER GREEN	28140-G09
AEROSOL 12 OUNCE (360 ML) - CHAMPAGNE BEIGE	28140-G15
AEROSOL 12 OUNCE (360 ML) - INDUSTRIAL YELLOW	28140-G14

MAINTENANCE PRODUCTS	PART NO.
PLEXUS® CLEANER, 13 OUNCE (380 ML) (FOR WINDSHIELDS)	28433-G02
BATTERY PROTECTOR, 14 OUNCE (410 ML) SPRAY	27619-G02
E-Z-GO ALL SURFACE CLEANER	606311
E-Z-GO FIBERGLASS/PLASTIC RESTORER	606313
W/SHIELD AND PLASTIC PROTECTOR	606314
4 OZ HAND CLEANER	607636
64 OZ HAND CLEANER	607637

OPTIONS/ACCESSORIES

OPTIONS/ACCESSORIES

OPTIONS/ACCESSORIES

2 BAG ATTACHMENT	75183-G01	Body -Footrest
4 BAG ATTACHMENT	75335-G01	Body - Accessories Continued
8" CHROME HUBCAP	14913-G*	Wheels And Tires
6" CHROME HUBCAP	16042-G*	Wheels And Tires
GOLD SPOKE HUBCAP	19241-G*	Wheels And Tires
SILVER SPOKE HUBCAP	19241-G*	Wheels And Tires
ASHTRAY KIT	75109-G02	Body - Accessories Continued
CENTER BASKET	75003-G01	Body - Accessories
COOLER JUG AND BRACKET KIT	75495-G01	Body - Accessories Continued
COOLER BOX AND BRACKET KIT	75344-G01	Body - Accessories Continued
DIVOT REPAIR KIT	23300-G1	Body - Accessories
MESSAGE HOLDER KIT (REQUIRES SUN TOP)	75509-G01	Body - Accessories Continued
MESSAGE HOLDER KIT (REQUIRES SUN TOP)	75496-G01	Body - Accessories Continued
REAR VIEW MIRROR (REQUIRES SUN TOP)	19528-G2	Weather Protection - Golf Car
SAND BOTTLE	28661-G**	Body - Accessories
SAND RAKE	14735-G1	Body - Accessories Continued
SAND RAKE HOLDER	75006-G01	Body - Accessories Continued
SAND MUG - KIT, SINGLE	606951	Body - Accessories Continued
SAND MUG - KIT, DOUBLE	606986	Body - Accessories Continued
SIDE BASKET	75007-G**	Body - Accessories
SUN TOP KIT, GOLF CAR	75040-G**	Weather Protection - Golf Car
TOW BAR KIT (CASUAL)	75033-G01	Tow Bar - Casual
TOW BAR KIT (PERMANENT)	75304-G01	Tow Bar - Permanent
WINDSHIELD KIT, GOLF CAR	75524-G01	Weather Protection, Golf Car
WINDSHIELD KIT, FOLD DOWN, GOLF CAR	74910-G01	Weather Protection, Golf Car
TIRE DOMINATOR 20X11-10	605316	Wheels and Tires
PATHFINDER TIRE, BRUSHED WHEEL LH	605355	Wheels and Tires
PATHFINDER TIRE, BRUSHED WHEEL RH	605356	Wheels and Tires
PRO TOUR - POLISHED WHEEL	605317	Wheels and Tires
PRO TOUR, TIRE 205/50-10	605315	Wheels and Tires
V-STEM-BRUSHED SPOKED WHEEL	605351	Wheels and Tires
PRO BRUSHED WHEEL	605318	Wheels and Tires
DOMINATOR - POLISHED WHEEL	605319	Wheels and Tires

OPTIONS/ACCESSORIES

DOMINATOR - BRUSHED WHEEL	605320	Wheels and Tires
CHROME CENTER CAP - SPOKED WHEEL	604929	Wheels and Tires
NUT, LUG-CHROME	605310	Wheels and Tires
V-STEM-POLISHED SPOKED WHEEL	605311	Wheels and Tires
PATHFINDER TIRE 22X11-10	604928	Wheels and Tires
PATHFINDER TIRE, POLISHED WHEEL LH	604930	Wheels and Tires
PATHFINDER TIRE, POLISHED WHEEL RH	605228	Wheels and Tires
JACK-UP KIT	74786-G02	Wheels and Tires
BFS INSTALLATION	607108	Electrical System
NOZZLE GUN - BFS	606238	Electrical System



A Textron Company

E-Z-GO Division Of Textron, Inc.,
1451 Marvin Griffin Road, Augusta, Georgia USA 30906-3852

TO CONTACT US

North America:

Technical Assistance & Warranty Phone: 1-800-774-3946, FAX: 1-800-448-8124
Service Parts Phone: 1-888-GET-EZGO (1-888-438-3946), FAX: 1-800-752-6175

International:

Phone: 001-706-798-4311, FAX: 001-706-771-4609

Certified ISO 9001 / ISO 14001 by



Copyrighted Material
This manual may not be reproduced in whole or
in part without the express permission of
E-Z-GO Division of Textron, Inc.
Technical Communications Department