

GDS – Greengate Digital Switch

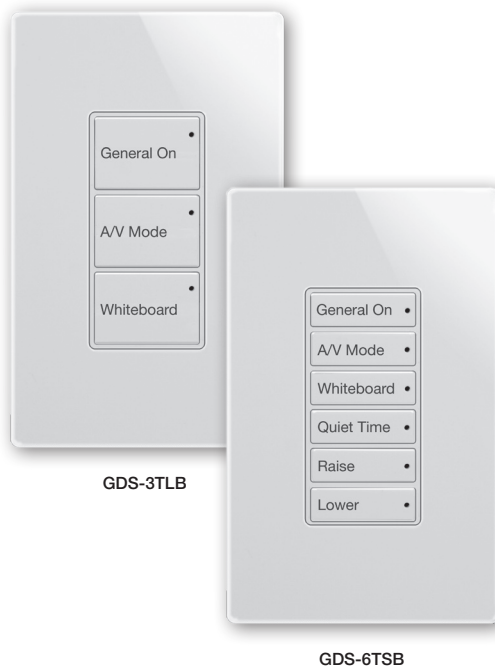
Catalog#	Prepared by
Project	Date
Comments	Type

Overview

The Digital Switch is available for the Greengate lighting control panels. It is a decorator style switch with up to six buttons that offers ON/OFF control of any relay or group of relays in the lighting control network.

Features

- 24 VDC supply voltage via the network
- Capable of controlling loads over entire lighting network
- Integrates with Keeper Enterprise Software or Onboard programming display
- Create custom lighting configurations for each button
- Class 2 low voltage wiring
- All plastic construction with a separate decorator style snap-on surround
- Suitable for standard single and multi-gang NEMA wall box with decorator style wallplate
- Choice of large or small buttons
- A range of seven standard wall station templates can be selected
- Tested to withstand 12kV electro-static discharge without damage of memory loss
- Includes single gang screwless wallplate



Specifications

Communications	CANbus (GDS-I-KIT is required for GDS integration on all panels except the CKM)
Size	.75"H x 3.25"W (121mm x 83mm)

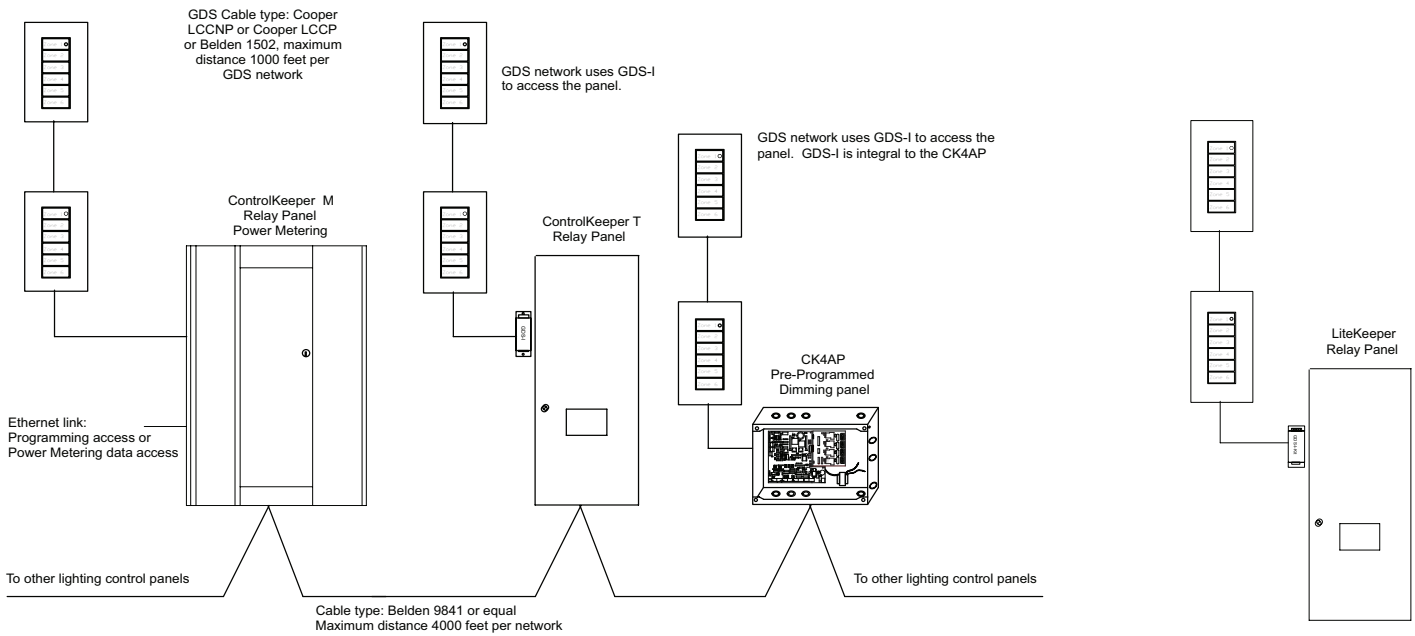
Description/Operation

The Digital Switch permits multiple control stations to be connected to the lighting control panels. The control stations provide override and status feedback. Advanced system features, such as masking and priorities, are standard on all lighting control panels and can be applied to these switches to make your application both contractor and user friendly.

Installation

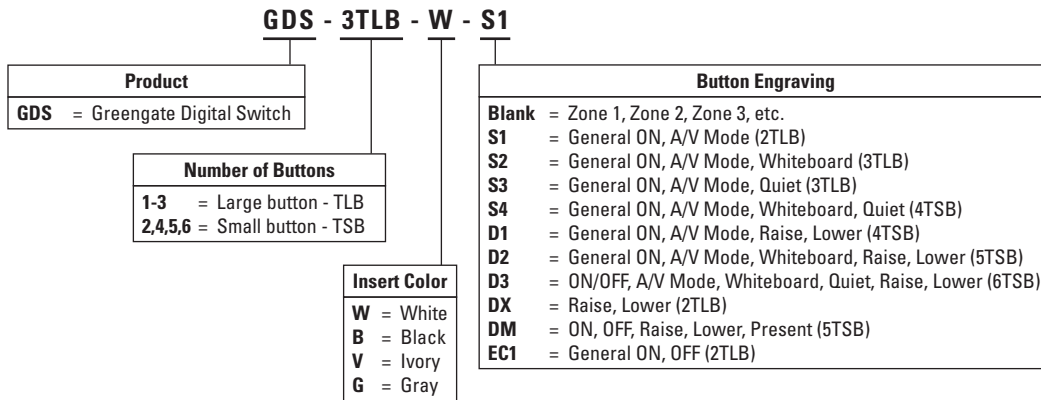
The Digital Switch fits in a single or multi-gang NEMA wall box and has a standard decorator style opening to permit single or multi-gang configurations. The Digital Switches are networked together using the LCCNP or LCCP wire (ordered separately) and can connect to the Greengate lighting control panel.

System Schematic



Ordering

This is an accessory for Greengate Lighting Control Systems. When ordering, specify the Digital Switch as a separate system accessory.



Additional Options

Catalog #	Description
GDS-I-KIT	Digital Switch Integrator (required per digital switch network connection on all panels except ControlKeeperM Series and CK4AP)
LCCP	Communication Cable, 500 ft spool (See Communication Cable Spec Sheet for more information)
LCCNP	Communication Cable, 500 ft spool, Non-plenum (See Communication Cable Spec Sheet for more information)

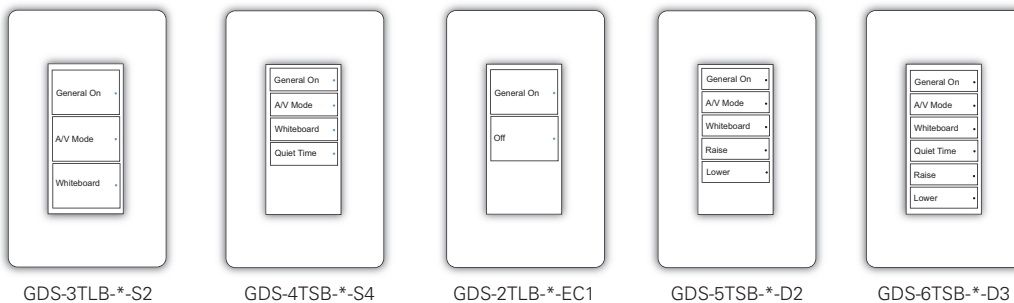
Note: GDS stations with the S1 through EC1 Button Engraving options are also pre-addressed for easy integration into the CK4AP pre-programmed lighting panel and other solutions.

Note: DS stations with the S1 through EC1 Button Engraving are also available with a "-RM2" suffix for the AP Classroom Two Room Dimming Solution.

Engraving Options

The Digital Switch is available in multiple standard engraved options. Simply append the station model to the appropriate Digital Switch.

Example Catalog #	Button Qty	Button Color	Engraving
GDS-3TLB-W-S2	3	White	General On, A/V Mode, Whiteboard
GDS-6TSB-B-D3	6	Black	General On, A/V Mode, Whiteboard, Quiet Time, Raise, Lower
GDS-5TSB-W	5	White	Zone 1, Zone 2, Zone 3, Zone 4, Zone 5



Eaton
1000 Eaton Boulevard
Cleveland, OH 44122
United States
Eaton.com

Eaton's Cooper Controls Business
203 Cooper Circle
Peachtree City, GA 30269
coopercontrol.com

© 2014 Eaton
All Rights Reserved
Printed in USA
Publication No. ACC141056
January 20, 2015

Eaton is a registered trademark.
All other trademarks are property
of their respective owners.