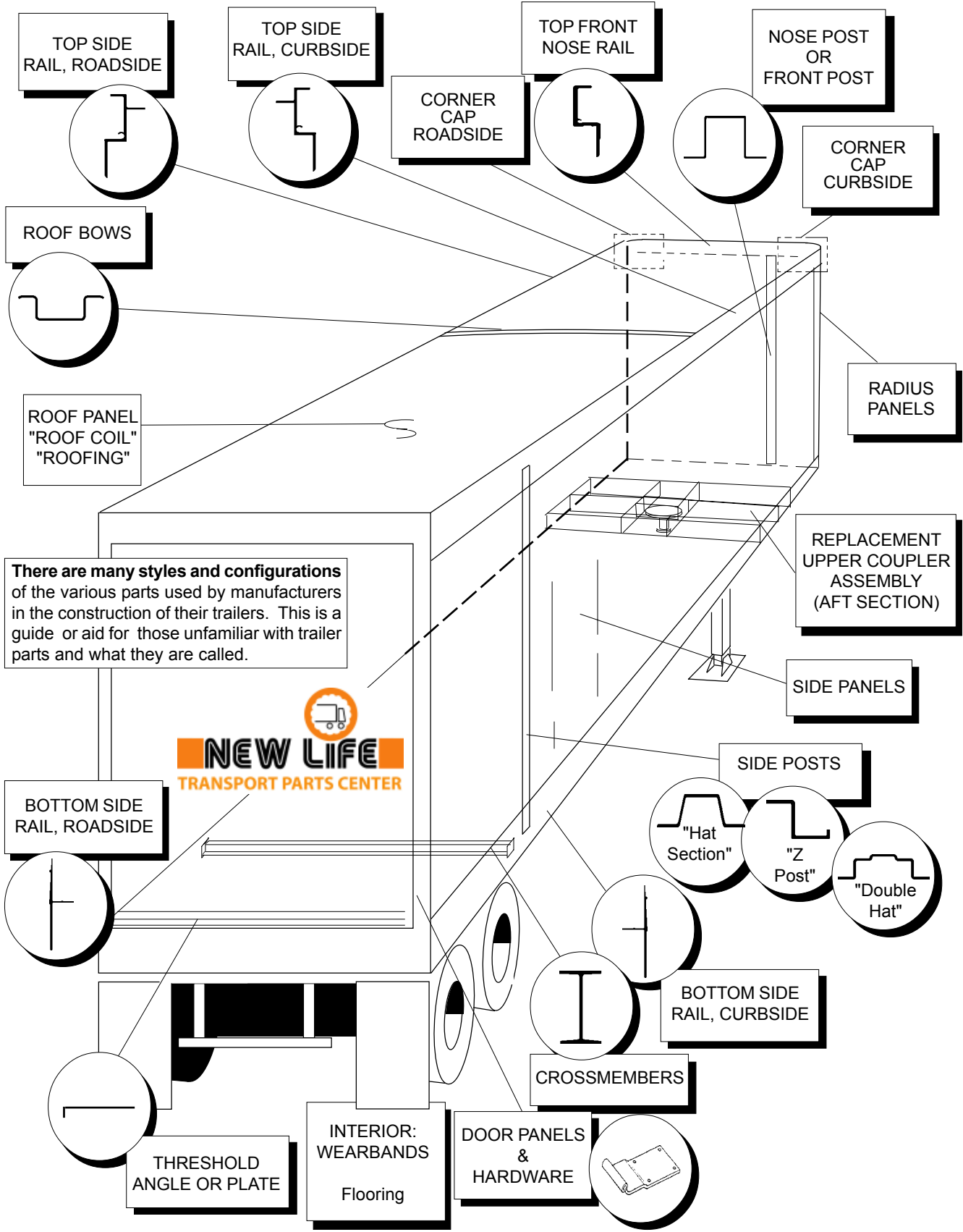




TRAILER BODY PARTS NOMENCLATURE





STRICK TRAILER BODY PARTS



Strick knows that your success rides on the quality of their products. Their selection of dry van trailers incorporates customer-driven innovations that ensure low operating costs, reduced trailer maintenance, increased payload capacity, and more miles for your dollar. Strick offers a wide variety of trailer options and customizations to provide you with a trailer that fits your needs precisely.

STRICK NOSE RAILS

Part No. SK01715

one pc. wrap around style, 98^{1/2}", 7" radius

A: 5-9/16" B: 1-9/32"

Part No. SK52017

straight section for 3 pc. style, 91^{7/8}"

A: 5-9/16" B: 1-21/32"

Part No. SK47284

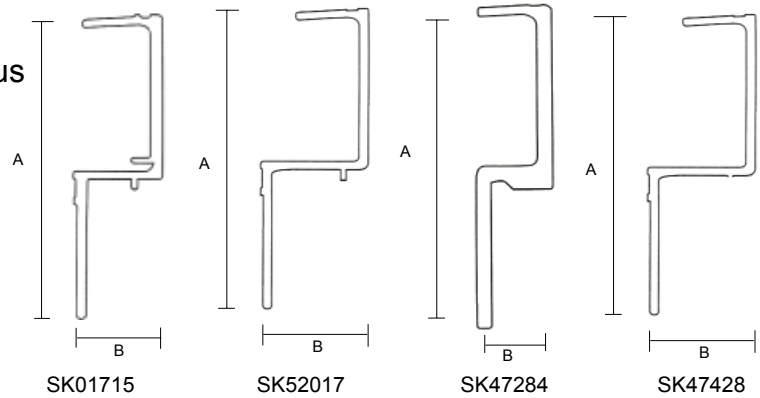
straight section for 3 pc. style

A: 5.5625" B: 1.057"

Part No. SK47428

straight section for 3 pc. style, 85-11/16"

A: 5" B: 6"



STRICK CORNER CAPS

Part No. Description

SK13256 left/road side 9" radius



SK13256 top view

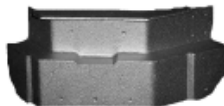


SK13256 side view

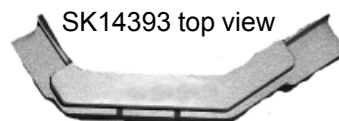
SK13257 right/curb side 9" radius



SK14393 left/road side



SK14393 side view



SK14393 top view

SK14394 right/curb side

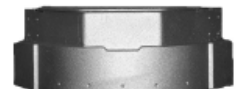
SK01792 universal, 7" radius



SK01792 side view



SK01792 top view



SK03500 side view

SK03500 universal, 7" radius

SK45290 universal, 7" radius



SK45290 side view



SK45290 top view



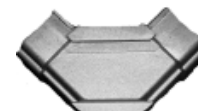
SK03500 top view

SK54280 universal 4" radius

SK54960 universal 4" radius



SK54280 side view



SK54280 top view



SK55724 side view

SK55724 universal

SK01793 corner cap protector

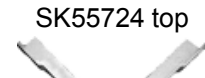


SK01793 side view

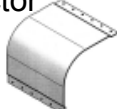


SK01793 top view

SK57620 corner cap protector



SK55724 top





STRICK OUTER RADIUS PANELS

Part No. SK14408

white aluminum

A: 104.5" B: 13^{5/16"} C: 8^{3/16"}

Part No. SK16313

white aluminum

A: 105.5" B: 10^{1/4"} C: 8^{3/16"}

Part No. SK21887

7" white aluminum radius

A: 101.5" B: 13^{5/16"} C: 15'

Part No. SK30772

White aluminum

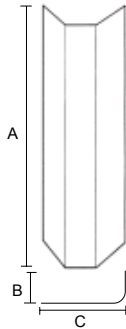
A: 102.5" 7" radius

Part No. SK45116

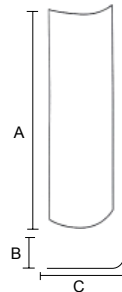
Outer bottom radius protector

Aluminum diamond plate

A: 102.5" 7" radius



SK16313
SK14408



SK47158
SK21887
SK30772
SK45116
SK52535
SK55567
SK56274
SK58964

Part No. SK47158

7" white aluminum radius

A: 106.5" B: 13^{1/2"} C: 10^{31/32"}

Part No. SK52535

7" aluminum radius

A: 114.5" B: 13^{9/16"} C: 8^{1/8"}

Part No. SK55567

Pre-painted white, 4" radius

A: 105.5" B: 10.97" C: 9.42"

Part No. SK56274

Aluminum pre-painted white

A: 102.5" 4" radius

Part No. SK58964

Extruded aluminum, 4" radius

Round holes on 2" centers

A: 105.5" B: 5.688" C: 5.688"



STRICK INNER RADIUS PANELS

Part No. SK03903

universal galvanized steel

A: 101" B: 5^{1/2"} C: 5^{1/2"}

Part No. SK06782

universal galvanized steel

A: 105" B: 9^{63/64"} C: 16^{3/64"}

Part No. SK44094

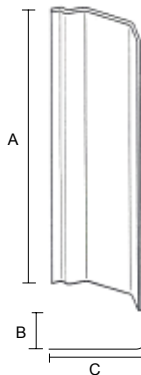
universal galvanized steel

A: 105" B: 11^{9/32"} C: 14^{3/4"}

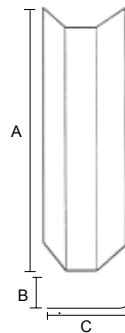
Part No. SK49057

Inner corner radius

A: 105" B: 8.75" C: 15.64"



SK03903

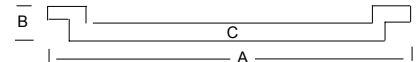


SK44094
SK06782
SK49057

Part No. SK52636

Inner Liner panel

A: 21.72" B: .70" C: .22"



Part No. SK55012

Inner front corner protector

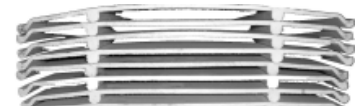
Galv Steel, 105"

B: 5.825" C: 17.25"



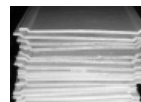
Part No. SK57160

HPDE Liner 96" long, 18.3" tall.



Part No. SK45302

Plastic Liner, white,
.45" x 10" x 100"



Part No. SK57498

Inner Angle protector, steel, 105"





STRICK TOP RAILS

Part No. SK06043

A: 5^{9/16"} B: 1^{21/32"} 51'9^{3/8"}

Part No. SK03396

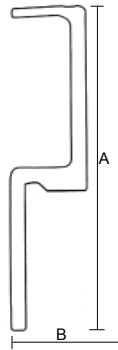
A: 5^{9/16"} B: 1^{3/16"} 51'9^{1/4"}

Part No. SK26609

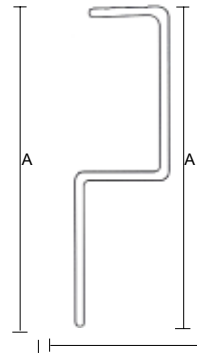
A: 5^{9/16"} B: 1^{11/16"} 27'3^{1/4"}

Part No. SK47454

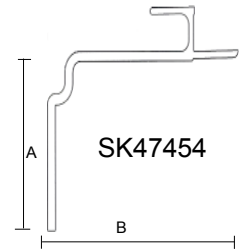
A: 5' B: 6' 51'9^{1/4"}



SK06043
SK03396



B
SK26609



STRICK BOTTOM RAILS

Part No. SK01854

51' length, 10^{5/8"}

A: 8^{3/4"} B: 1^{1/2"}

Part No. SK01857

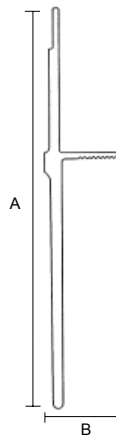
51' length, 10^{13/16"}

A: 8^{3/4"} B: 1^{3/16"}

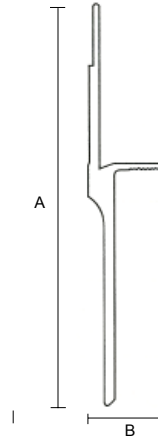
Part No. SK47048

Length 27'-4^{5/8"}

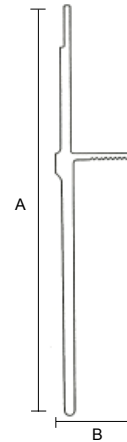
A: 8^{3/4"} B: 1^{3/16"}



SK01854



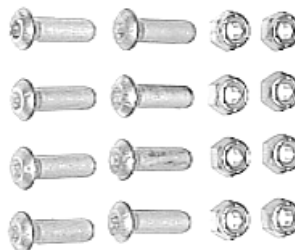
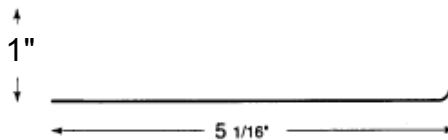
SK01857



SK47048

Part No. SK51322

Bottom Rail Splice Angle
102" Long-Steel-Punched
for Bottom Rail #'s
SK01854, SK01857



Bolt Kit For Bottom Rail

Contains (8) 3/8"-24 x 11/4"

TORX® Drive Button Head

Grade 8 Screws with

Nylon Insert Lock Nuts

(Enough bolts and nuts for one
crossmember installation)

Part No.1157013



STRICK SIDE POSTS

Part No. SK63580 (steel)
A: 1.312" B: 5.25" 107.5

Part No. SK15909 (alum.)
A: 1.25" B: 5.25" 111.5

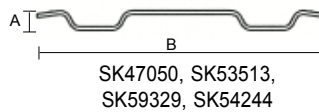
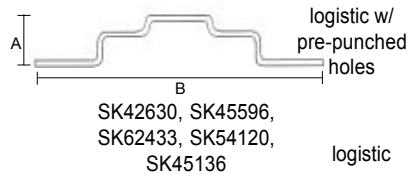
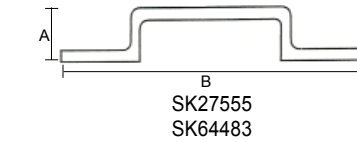
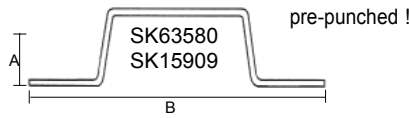
Part No. SK27555 (alum.)
A: 29/32" B: 5.25" 116.19

Part No. SK64483 (steel)
A: .69" B: 5.25" 107.5"

Part No. SK54120 (steel - A slot)
A: 3/4" B: 5" 107.38"

Part No. SK53513 (alum.)
A: 15/16" B: 6.88" 104.25"

Part No. SK47050 (steel - A slot)
A: .45" B: 6.75" 109.88"



Part No. SK62433 (14 ga. steel)
A: .75" B: 5" 107.25 Log. "A"

Part No. SK45136 (galv steel)
A: 1.26" B: 5" 107.25 Log. "A"

Part No. SK54244 (alum.)
A: 1" B: 7" 105.88 Log. "A"

Part No. SK57236 (steel)
A: .75" B: 6.5" 107.25 Logistic

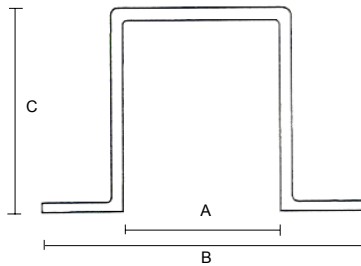
Part No. SK59329 (steel)
A: .45" B: 6.75" 108.88"
Logistic on 4" centers

Part No. SK45596 (steel)
A: 1.26" B: 5" 104.38" Log. "E"

Part No. SK58998 (14 ga. galv.)
Z starter post, 101",
Round holes on 2" centers

STRICK NOSE POST

Part No. SK58425 (STEEL)
LENGTH: 108.25" DEPTH: 3-1/4"
A: 2 11/16" B: 5 1/4" C: 3 1/4"



STRICK ROOF BOWS

Part No.

SK01510 98^{7/8}" high arch

SK01511 92^{15/16}" high arch

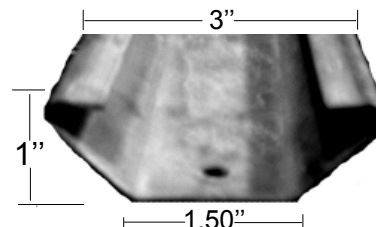
SK01512 100^{3/8}" high arch

SK01513 99^{7/16}" high arch

SK27820 98^{7/8}" standard arch

SK06686 93", anti-snag (galvanized)

SK45324 93", anti-snag (aluminum)





STRICK TRAILER ICC BUMPERS

Part No. SK26883

ICC assembly
Yellow with
reflective tape.



Part No. SK27856

ICC assembly with
bolt on tube & gussetts,
white, with reflective tape.

Part No. SK48964

ICC assembly, grey,
with reflective tape.



Part No. SK26950

ICC assembly
Yellow with adj. bracket
ends, and reflective tape.

Part No. SK49506

ICC assembly, white with
reflective tape, L style bolt-on
bracket on top for mounting.

Part No. SK56251

ICC assembly with
bolt on tube, white,
with reflective tape.

Part No. SK48722

ICC assembly dark grey,
not taped.



ICC UPRIGHTS:

Part No. SK56425

Roadside, w/bolt on
adj. bracket, grey.

SK56426 = curbside

Part No. SK45210

Roadside weldon

Part No. SK45211

Curbside weldon

Part No. SK54919

Roadside with "L" style
mounting, grey.

Part No. SK54920

Curbside with "L" style
mounting, grey.

ICC Bottom Tube Assemblies



Part No. SK55627

ICC bottom tube, white,
with reflective tape,
and reinforcements.

Part No. SK27687

ICC bottom tube, white,
bolt-on w/reinforcements
and reflective tape

Part No. SK30912

ICC roadside gussett,
white.

Part No. SK30913

ICC curbside gussett,
white.

STRICK MISC BODY PARTS (Crossmembers, J molding, Liner, Hardware)

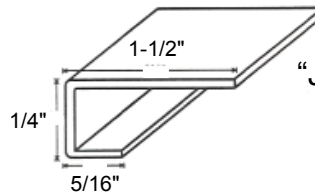
Part No. SK01695

Crossmember steel assembly,
4" x 101^{3/8}" primed black with
welded clips; 3.2# per foot,
80,000 lb. square inch min. yield.



Part No. SK01803

"J" moulding, 1.50" X 12'
Inner Dimension: .377
Outer Dimension: .281



Part No. SK01796

Aluminum T clip, not punched



Part No. SK52920

Roadside Door Hook

Part No. SK52921

Curbside Door Hook



Part No. SK47234 -

Slider Rail Repair Plate



Part No. SK03690

roadside L/G gusset

Part No. SK03691

curbside L/G gusset



Part No. SK47405

Receptacle Box top

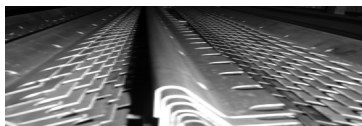
Part No. SK47424

Receptacle Box Bottom



Part No. SK45048

Overhead door track
protector, 10' long.



Part No. SK01135

Light bracket, curbside

Part No. SK01136

Light bracket, roadside





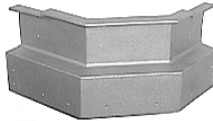
TRAILER BODY PARTS - CORNER CAPS, NOSE RAILS, RADUIS PANELS

Corner Caps

Part No. **1310355**
Miller Universal
Replaces 900-01987



Part No. **1310356**
Monon RH
Replaces V02-197R



Part No. **1310357**
Monon LH
Replaces V02-198L



Part No. **1310363**
Wabash Universal
Replaces WAB04300002



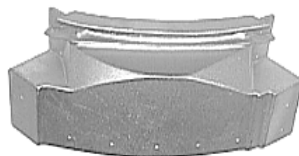
Part No. **1310364**
Pines Universal
Replaces CC11100



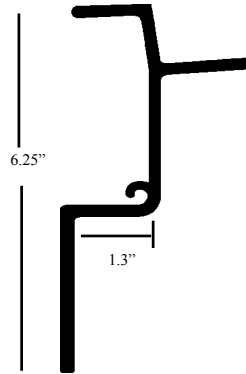
Part No. **1310365**
Stoughton Universal
Replaces 04-09728/04-12835



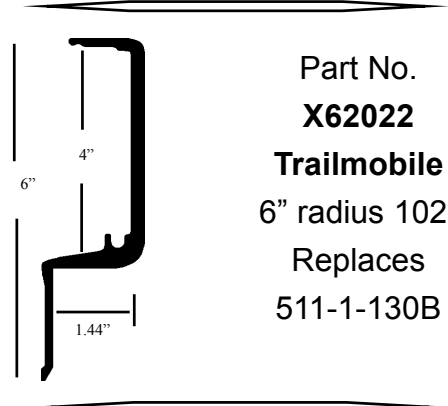
Part No. **1310366**
Part No. **1310367**
Utility
Replaces
1-1550-10/1-1550-11



Nose Rails



Part No. **X6197**
Wabash
5" radius, 102"
Replaces
WAB04A00211



Part No. **X62022**
Trailmobile
6" radius 102"
Replaces
511-1-130B

Corner Panels

Part No. **1206133**
(110" PPW) Aluminum
Trailmobile 6" radius
replaces RP883-PPW
Use with X62022



Part No. **1190618**
(110" PPW) Aluminum
Great Dane 10" radius
replaces 08670



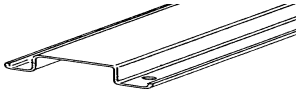
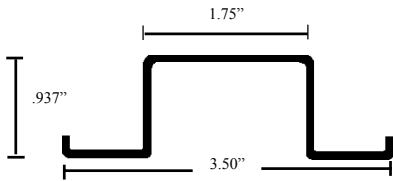
Part No. **1190621**
(110" PPW) Aluminum
Fruehauf 10" radius





TRAILER BODY PARTS - ROOF BOWS

Roof Bows



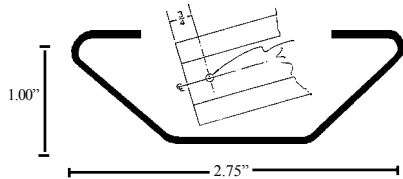
Part No.

1011035 (99\"/>

Dorsey / Hyundai

Steel Bow

1208898099 / 900-00-2801

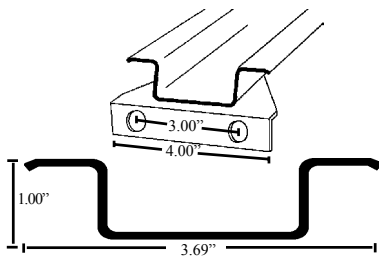


Part No. **1011039 (99\"/>**

Wabash, Hyundai, Monon

(V01-107) Anti-Snag

Steel Bow



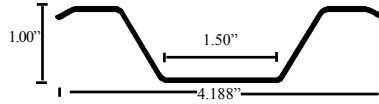
Part No.

1011045 (98.75\"/>

Stoughton

Steel Bow - 23-06636

Roof Bows

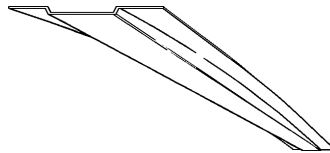


Part No.

1206128 (99.125\"/>

Pines Steel Bow w/ 9/32\"/>

diameter punched hole at each
end. Replaces RCB 2629



Part No.

X13405 (98.610\"/>

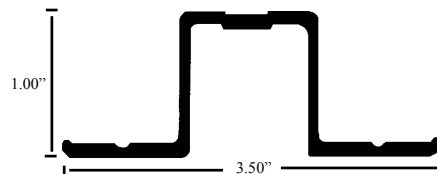
Part No.

06225 (92.25\"/>

Great Dane Formed

Aluminum Bow

Replaces 14113 / 08581



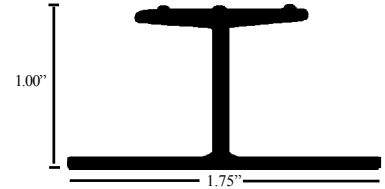
Part No. **X2052X98^{3/4} (Straight)**

Trailmobile Bow (98.75\"/>

Part No. **X62014 (Chambered)**

Replaces 90-41098-04 / 514-3-139

Roof Bows



Part No. **X4563**

Fruehauf I-Beam Bow

(100.25\"/>

Replaces RCC-8431-001

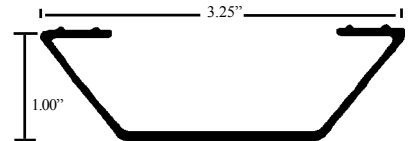
Part No. **X62012**

Similar Bow!

98.875\"/>

Replaces

RCF-4048-001

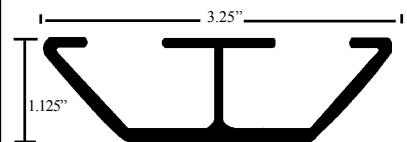


Part No. **X62009**

Fruehauf Anti-Snag Bow

(98.50\"/>

Replaces RCF-3718-001



Part No. **X62019**

Fruehauf Anti-Snag

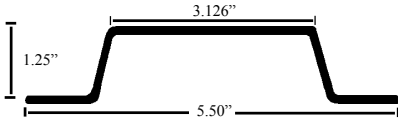
Reinforced Bow (98.625\"/>

Replaces RCF-4335-4

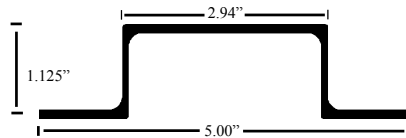


TRAILER BODY PARTS - SIDE POSTS AND DIVIDERS

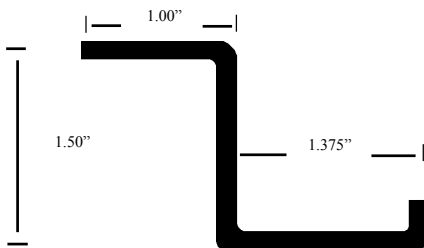
Side Posts



Part No.
X6119X110 (110")
Fruehauf
replaces STK020522

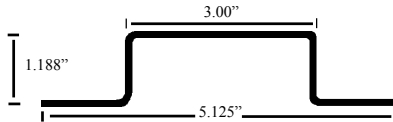


Part No.
X6120X110 (110")
Great Dane
- Replaces 90262
Aluminum, holes not punched

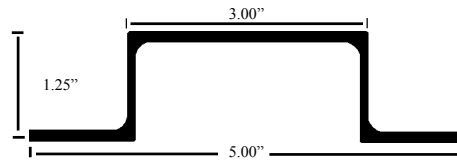


Part No.
X6136 (110")
Great Dane,
replaces 70260
Aluminum, holes not punched

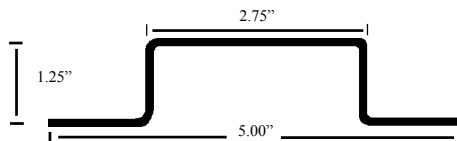
Side Posts



Part No.
DCS60011-HD (106.44")
Hyundai Domestic Container
Heavy Duty, Aluminum

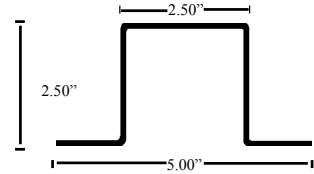


Part No.
X60042X110 (110")
Trailmobile
replaces 90-4-483

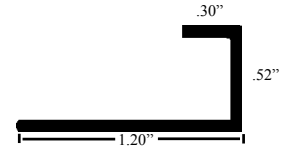


Part No.
1011037 (110")
Various Applications
Steel, holes pre-punched
at 2" centers, galv. steel

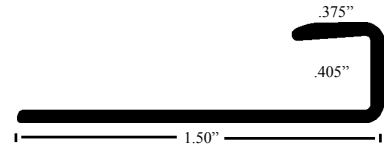
Dividers



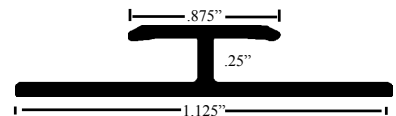
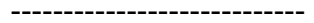
Part No. **1010174 (110")**
Great Dane Nose Post,
replaces 09432
Steel, holes not punched



Part No. **X6138X120 (120")**
Great Dane Aluminum strip,
replaces 70080



Part No. **X6148X120 (120")**
Great Dane Aluminum strip,
replaces 91940



Part No. **X6152X108 (108")**
Plywood Divider, aluminum

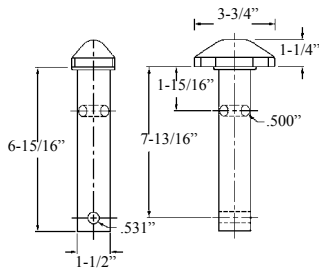


Part No. **X6316X112 (112")**
FRP Vertical Alum. Splice
replaces 90-4-1666-0-112

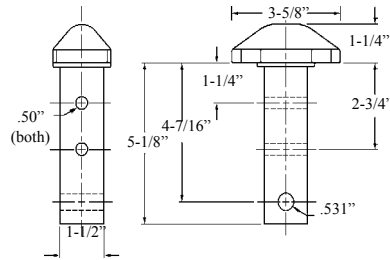


CONTAINER CHASSIS TWIST LOCKS AND PINS

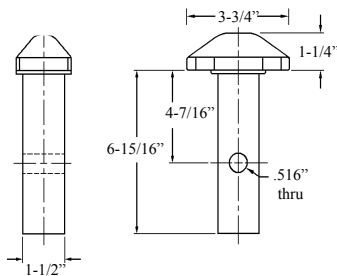
Part No. **1310420**
Schulz
Penz 15-68



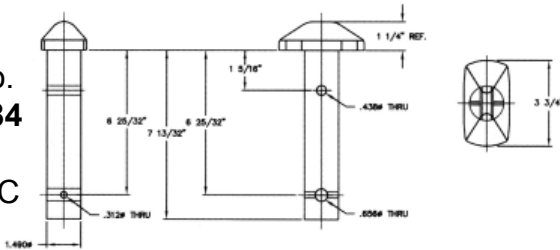
Part No. **1310421**
Penz 15-69



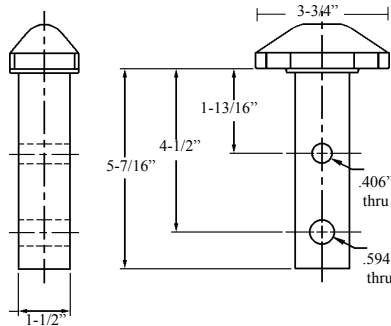
Part No. **1310422**
Penz 15-77



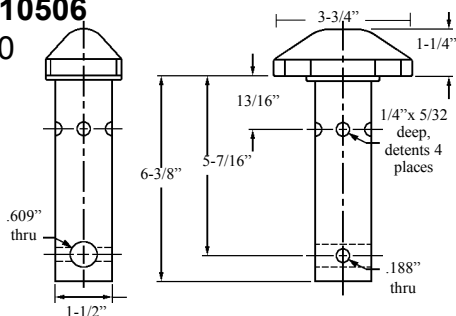
Part No. **1310484**
Penz 15-157C



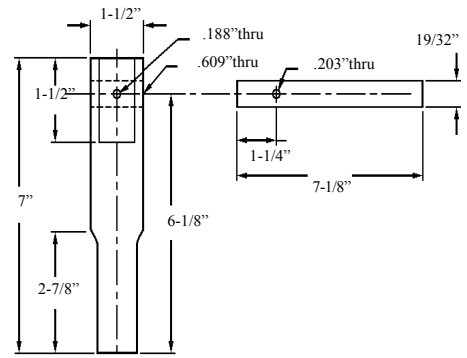
Part No. **1310505**
Penz 15-78



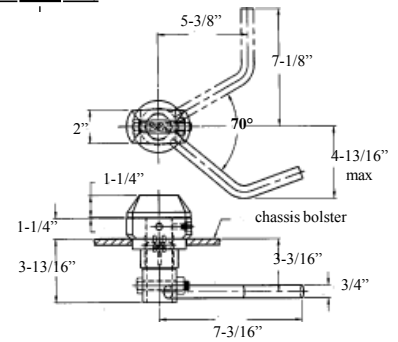
Part No. **1310506**
Penz 15-110



Part No. **1310507**
Penz 20-99-1



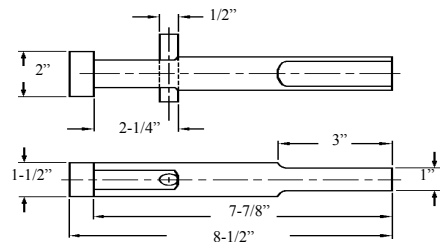
& Handle
Part No. **1310508**
Penz 20-99-2



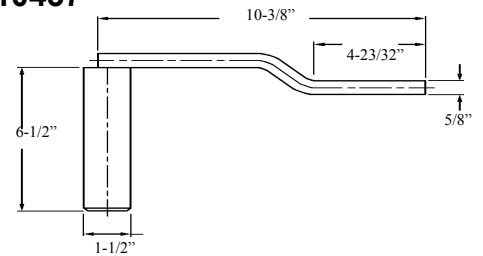
Part No. **1310540**
Assembly
RH 70° turn
Penz 90-35-R

PINS

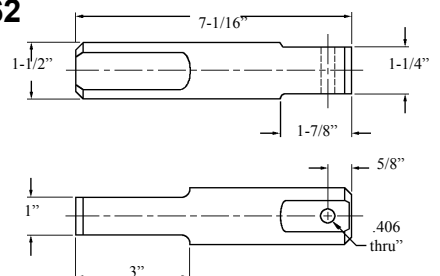
Part No. **1310429**
Penz 20-11



Part No. **1310437**
Penz 20-37



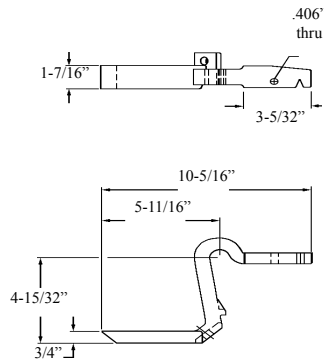
Part No. **1310462**
Penz 30-21



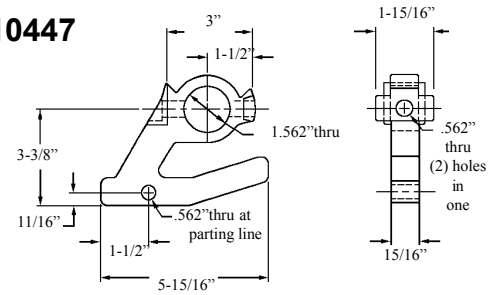


CONTAINER CHASSIS HANDLES

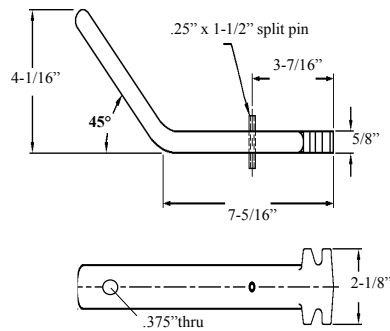
Part No. **1310424/1310425**
Theurer RH/LH
 Penz
 20-01-LH
 20-01-RH



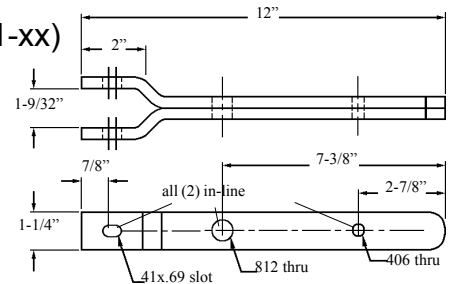
Part No. **1310447**
 Penz 20-55



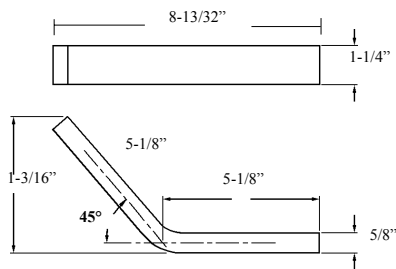
Part No. **1310431**
Bertolini
 Penz 20-13



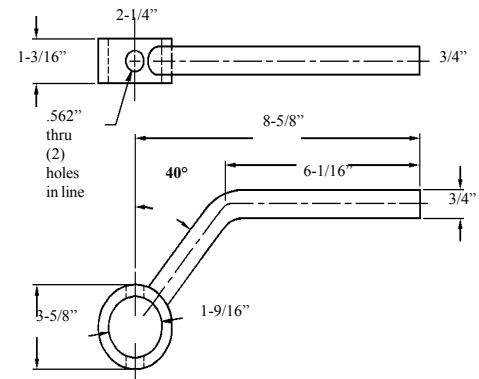
Part No. **1310448**
 Penz 20-56
 (used on 90-01-xx)



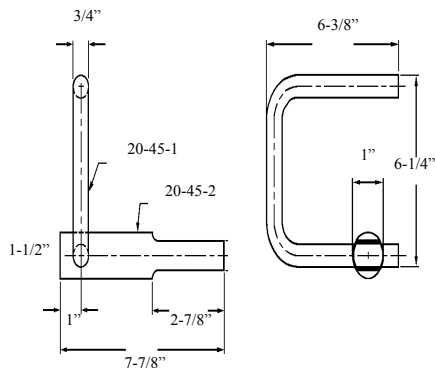
Part No. **1310432**
Strick
 Penz 20-16



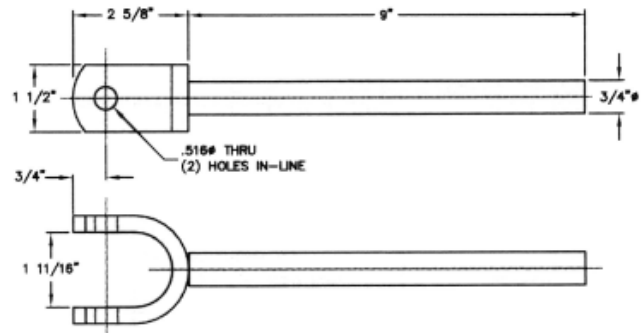
Part No. **1310449**
 Penz 20-57



Part No. **1310442** Penz 20-45-1- **Handle**
 Part No. **1310443** Penz 20-45-2 - **Pin**



Part No. **1310451**
 Penz 20-60





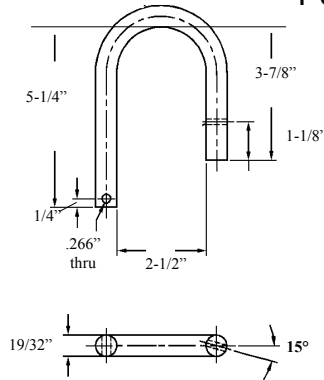
CONTAINER CHASSIS HANDLES & MISC PARTS

Part No. **1310469/1310470**

Monon LH/RH

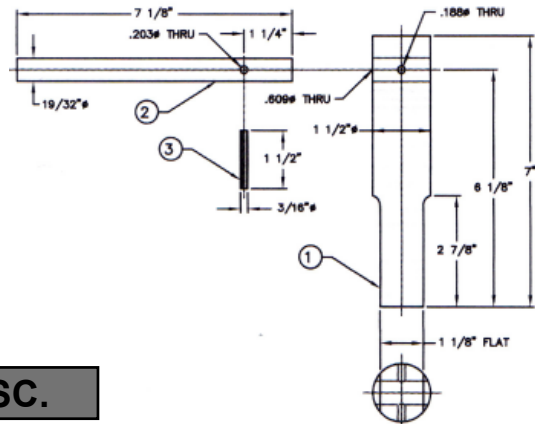
Penz 20-98-LH/20-98-RH

Left hand shown



Part No. **1310508**

Penz 20-99-2

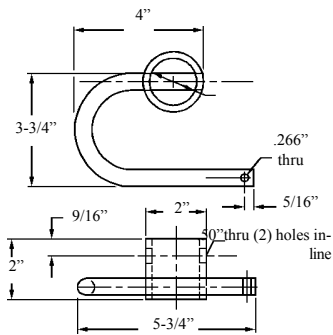


Part No. **1310471/1310472**

Monon LH/RH

Penz 20-113-LH/20-113-RH

Right hand shown



MISC.

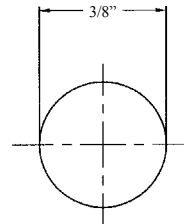
Part No.

1310423

Ball

Penz 16-01

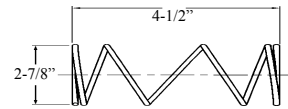
use 2 w/1310464 (50-20)



Part No. **1310463**

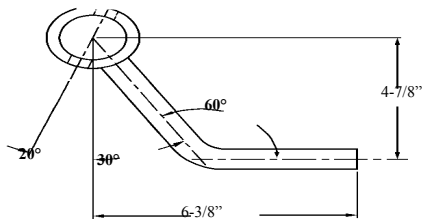
Spring

Penz 50-20



Part No. **1310475**

Penz 20-65

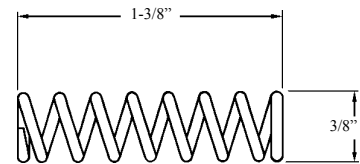


Part No.

1310464

Spring

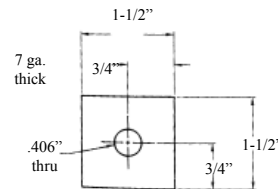
Penz 50-20



Part No.

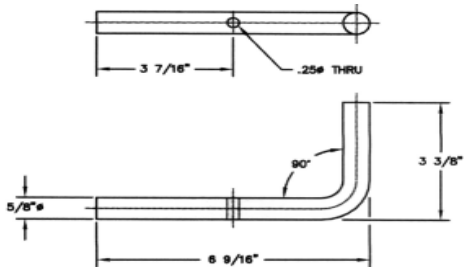
1310476 clip

Penz 25-02



Part No. **1310483**

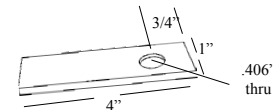
Penz 20-126



Part No.

1310477 hook

Penz 25-03



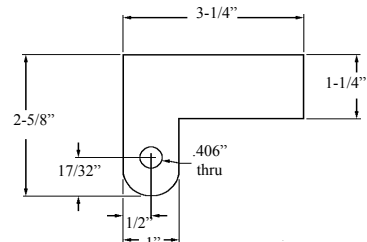
Part No.

1310491

Retaining Hook

Penz

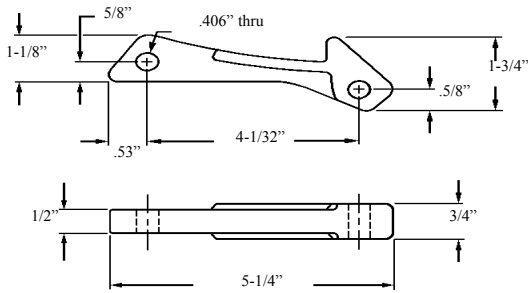
25-01



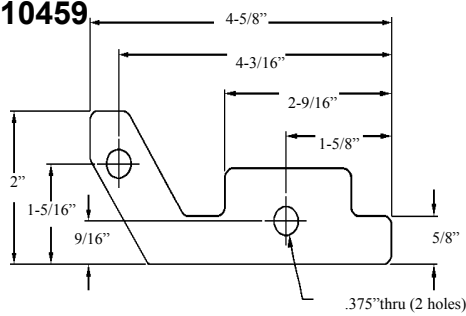


CONTAINER CHASSIS LATCHES

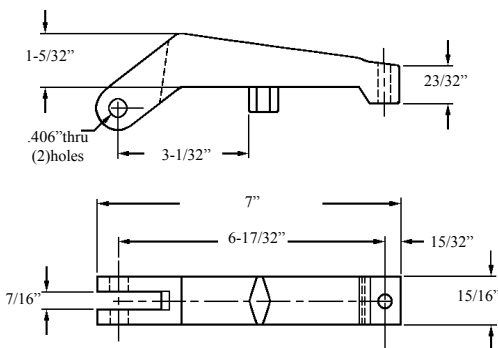
Part No. **1310457**
Penz 25-06



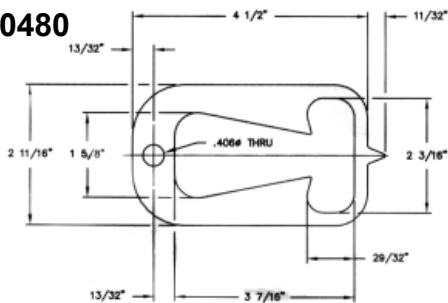
Part No. **1310459**
Penz 25-11



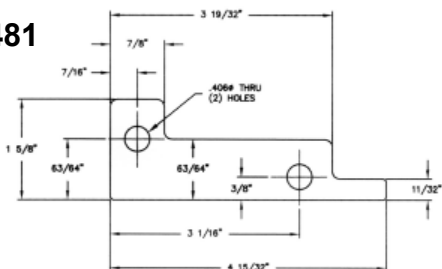
Part No. **1310479**
Penz 25-05



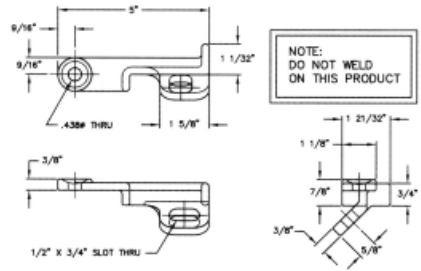
Part No. **1310480**
Penz 25-35



Part No. **1310481**
Penz 25-36

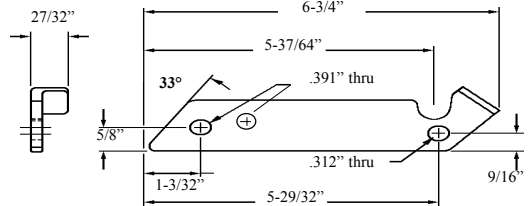


Part No. **1310486**
Penz 25-20-RH

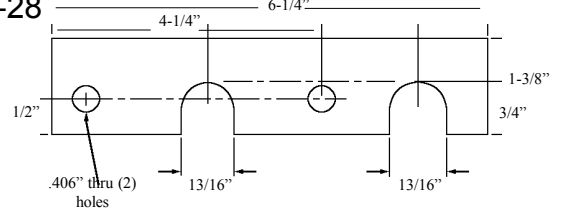


Part No. **1310487**
Penz 25-20-LH

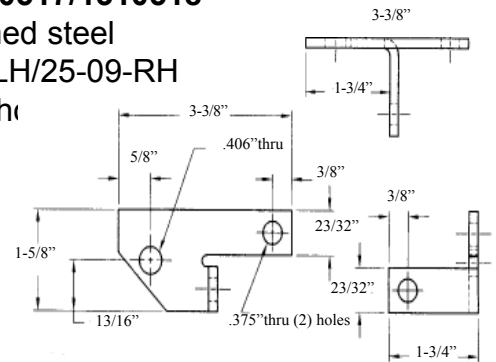
Part No. **1310509**
Penz 25-21



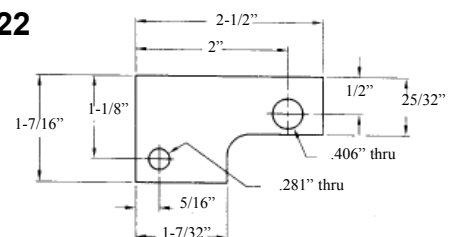
Part No. **1310510**
Penz 25-28



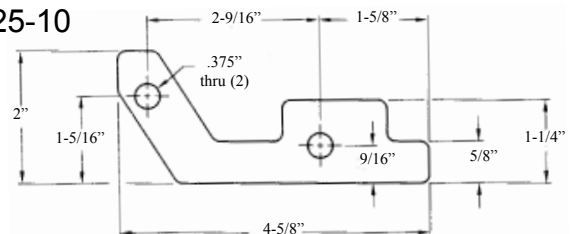
Part No. **1310517/1310518**
7 gauge primed steel
Penz 25-09-LH/25-09-RH
Right hand sh



Part No. **1310522**
Penz 25-16



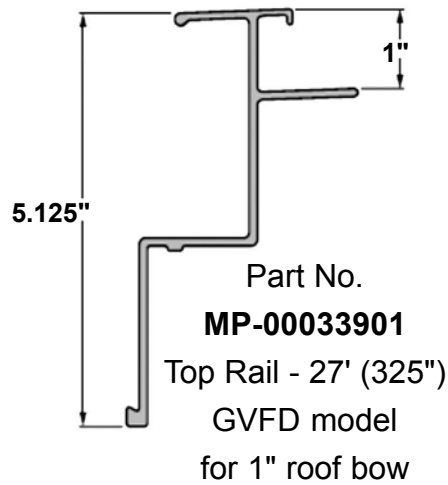
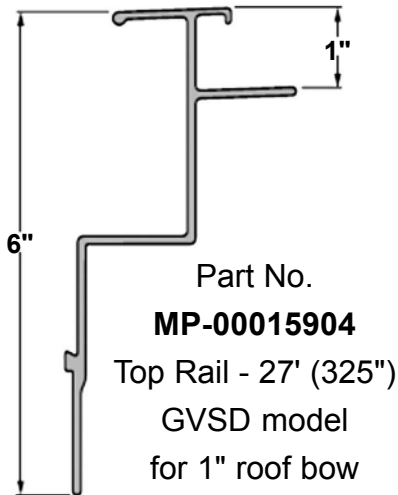
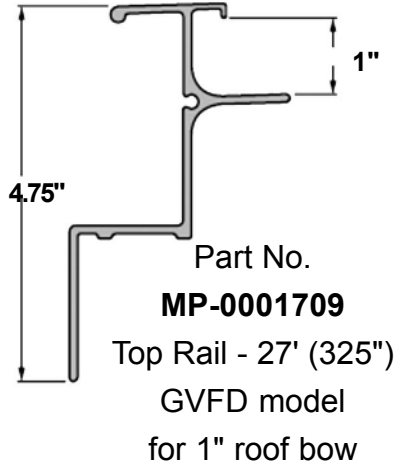
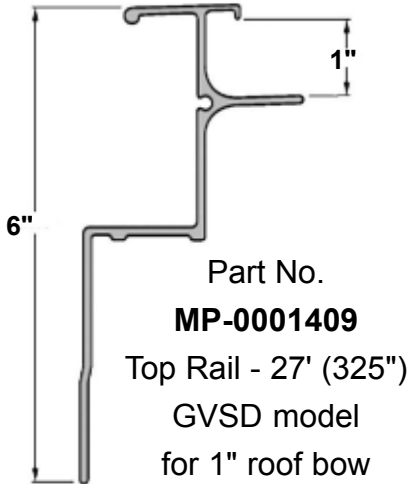
Part No. **1310545**
Penz 25-10



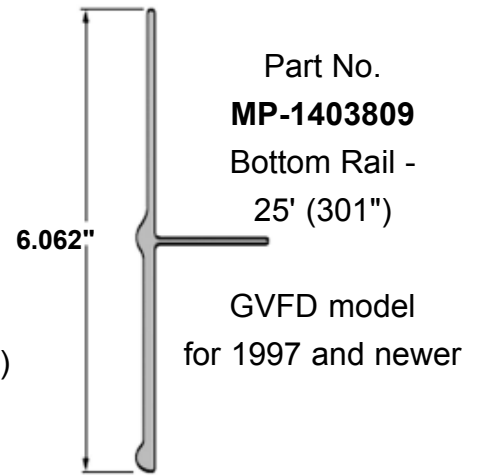
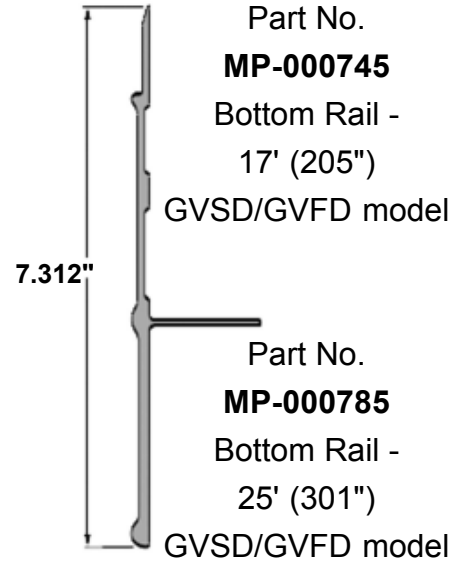


MORGAN BODY PARTS - TOP AND BOTTOM RAIL

TOP RAILS



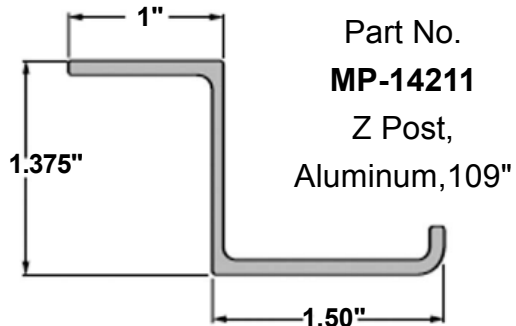
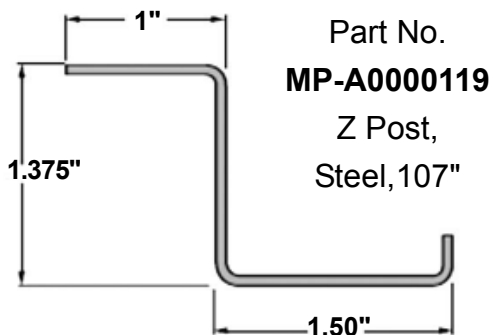
BOTTOM RAILS



MORGAN BODY PARTS - Z POSTS



Z POSTS

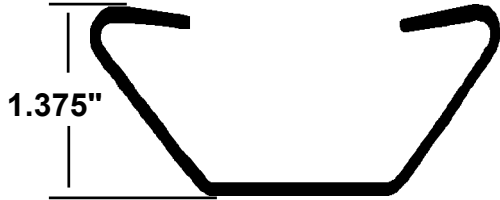




MORGAN BODY PARTS - ROOF BOWS AND CORNER CAPS

ROOF BOWS

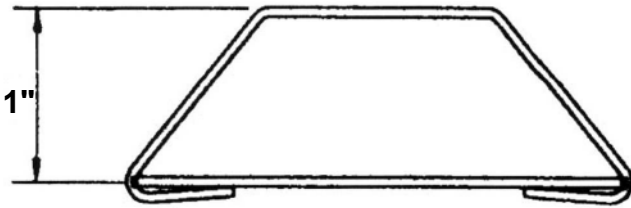
CORNER CAPS



Part No.
MP-01901
Roof Bow,
Steel, 1-3/8" x 92"

Part No.
MP-01902
Roof Bow,
Steel, 1-3/8" x 98"

Part No.
MP-12407
Roof Bow - Front Starter
Steel, 1-3/8" x 98"



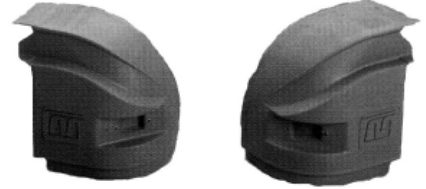
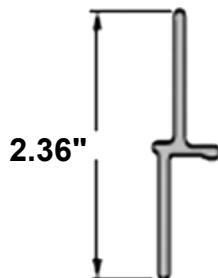
Part No.
MP-19033
Roof Bow, Single hole
Steel, 1" x 92"

Part No.
MP-190340
Roof Bow, Single hole
Steel, 1" x 98"

Part No.
MP-019083
Roof Bow - Front Starter
Steel, 1" x 92"

Part No.
MP-0192404
Roof Bow - Front Starter
Steel, 1" x 98"

Part No.
MP-14142
Top Front Connector
87", GVSD Model

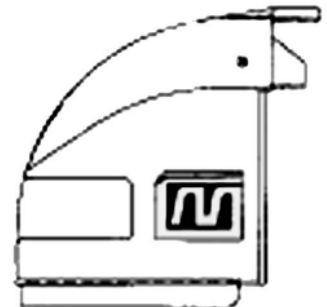


Part No. **MP-62660**
Curbside Corner Cap
Poly Tuff
(Interchanges MP-006671
aluminum corner cap)

Part No. **MP-62661**
Roadside Corner Cap
Poly Tuff
(Interchanges MP-0066710
aluminum corner cap)

Part No. **MP-62664**
Curbside Corner Cap
Poly Tuff - NEW Style

Part No. **MP-62665**
Roadside Corner Cap
Poly Tuff - NEW Style

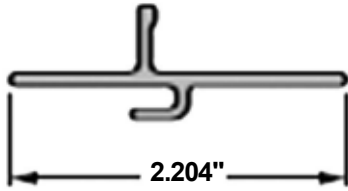




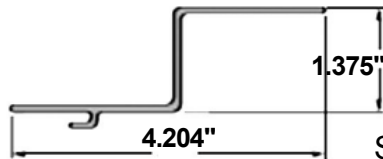
MORGAN BODY PARTS - SIDE POSTS AND RADIUS PANELS

SIDEPOSTS

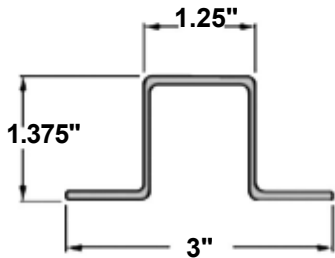
RADIUS PANELS



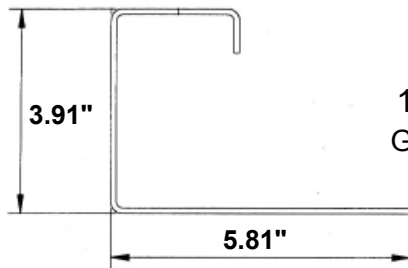
Part No.
MP-001481
Side Connector Post,
112.31", GVFD Model



Part No.
MP-00165
Side Connector Post,
112.31", VSD Model



Part No.
MP-14225
Side Post, Aluminum
1-3/8" x 109"



Part No.
MP-1198653
Corner Post
12.56" x 114.31"
Galvanized, 12 ga.



Part No.



MP-00659

Front Corner Radius
Aluminum, 92.3"

Part No.

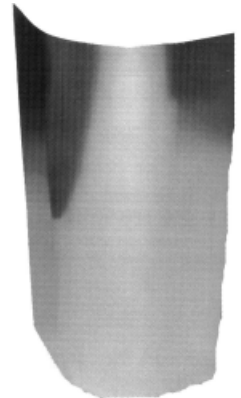
MP-00660

Front Corner Radius
Aluminum, 104.3"

Part No.

MP-13547

Front Corner Radius
Stainless Steel, 92.3"



Part No.

MP-01424

Front Corner Radius
Stainless Steel, 104.3"

Part No.

MP-13500

Front Top
Aluminum Radius
80.88"

Part No.

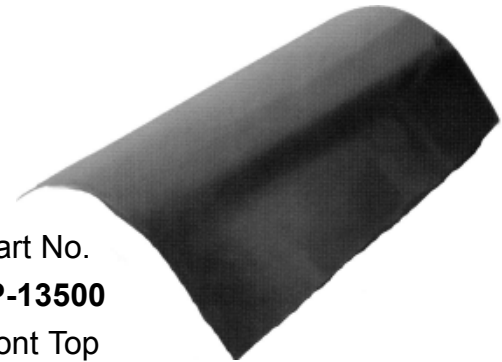
MP-13500

Front Top
Aluminum Radius
86.88"

Part No.

MP-1358401

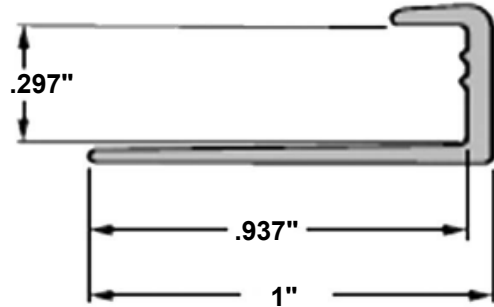
Front Corner Radius
Stainless Steel, 86.88"





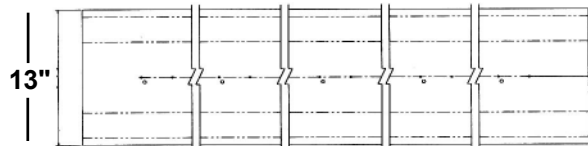
MORGAN BODY PARTS - MISC BODY PARTS

Part No.
MP-0985067
Spray Paint
Penske Yellow



Part No. **MP-003951**
J molding, aluminum, 96".

Part No.
MP-0069601
Walkramp
Handle

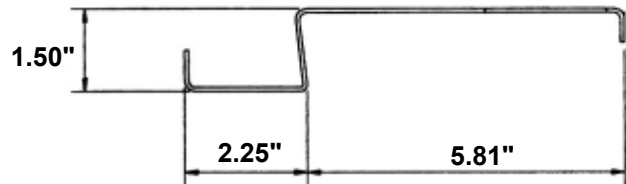


ALSO IN STOCK:

Part No.
MP-004141
Swing Door Hinge,
3-hole, aluminum
(MP-HG01)

Part No.
MP-087226
Swing Door Hinge Butt,
(MP-HB02)

Part No. **MP-1121813**
Lower header, Galvaneal GRD B
R 14 gauge, 94".



Part No. **MP-1121823**
Upper header, Galvaneal GRD B
R 14 gauge, 102".

