



CFP MSA

CFP2 Hardware Specification

Draft Revision 0.3

02 May 2013



Description:

This CFP Multi-Source Agreement (MSA) defines the CFP2 form factor of an optical transceiver to support 40Gbit/s and 100Gbit/s interfaces for Ethernet, Telecommunication and other applications. The members of the CFP MSA have authored this document to provide an industry standard form factor for new and emerging high speed communications interfaces. Specifications provided in this document are given as a “delta” to the CFP MSA Hardware Specification Rev. 1.4, June 7, 2010.



CFP MSA Member Contacts

CFP2 Hardware Technical Editor	Jon Anderson	Jon.Anderson@oclaro.com
--------------------------------	--------------	-------------------------

Avago Technologies, Ltd.	John Petrilla	john.petrilla@avagotech.com
Finisar Corp.	Chris Cole	chris.cole@finisar.com
Fujitsu Optical Components, Ltd.	Yasunori Nagakubo	nagakubo.yasuno@jp.fujitsu.com
Oclaro, Inc.	Jon Anderson	Jon.Anderson@oclaro.com
Sumitomo Electric Industries, Ltd.	Eddie Tsumura	tsumura-eiji@sei.co.jp



CONTENTS

REVISION HISTORY.....	6
TABLE LIST	7
FIGURE LIST.....	8
REFERENCE DOCUMENTS	10
1 GENERAL.....	11
1.1 SCOPE	11
1.1.1 <i>Application & Qualification</i>	11
1.2 CFP2 FUNCTIONAL BLOCK DIAGRAM	11
1.3 FUNCTIONAL DESCRIPTION.....	12
1.3.1 <i>Hot Pluggable</i>	12
2 CFP2 HARDWARE SIGNALING PINS	12
2.1 HARDWARE CONTROL PINS.....	13
2.2 HARDWARE CONTROL PINS: FUNCTIONAL DESCRIPTION	13
2.2.1 <i>Programmable Controls (PRG_CNTLs)</i>	14
2.3 HARDWARE ALARM PINS	14
2.4 HARDWARE ALARM PINS: FUNCTIONAL DESCRIPTION.....	15
2.5 MANAGEMENT INTERFACE PINS.....	15
2.6.....	17
CFP2 MANAGEMENT INTERFACE HARDWARE DESCRIPTION.....	17
2.6.1 <i>MDIO Physical Port Addresses</i>	18
2.7 HARDWARE SIGNALING PIN ELECTRICAL SPECIFICATIONS.....	18
2.8 HARDWARE SIGNALING PIN TIMING REQUIREMENTS.....	18



3	MODULE MANAGEMENT INTERFACE DESCRIPTION	20
4	PERFORMANCE SPECIFICATIONS	21
4.1	OPERATING ENVIRONMENT	21
4.2	POWER SUPPLIES AND POWER DISSIPATION	21
4.2.1	<i>Voltage power supply and power dissipation.....</i>	<i>21</i>
4.2.2	<i>Inrush current.....</i>	<i>21</i>
4.2.3	<i>Turn-off current.....</i>	<i>21</i>
4.2.4	<i>Power Supply Noise Susceptibility.....</i>	<i>21</i>
4.2.5	<i>Grounding.....</i>	<i>24</i>
4.3	OPTICAL CHARACTERISTICS.....	24
4.3.1	<i>Optical specifications</i>	<i>24</i>
4.4	HIGH SPEED ELECTRICAL CHARACTERISTICS.....	24
4.4.1	<i>25 Gbit/s Transmitter Data (and Clock)</i>	<i>25</i>
4.4.2	<i>25 Gbit/s Receiver Data (and Clock).....</i>	<i>25</i>
4.4.3	<i>10 Gbit/s Transmitter Data (and Clock)</i>	<i>25</i>
4.4.4	<i>10 Gbit/s Receiver Data (and Clock).....</i>	<i>26</i>
4.4.5	<i>Loopback (Optional).....</i>	<i>26</i>
4.4.6	<i>Reference Clock (Option).....</i>	<i>27</i>
4.4.7	<i>Transmitter Monitor Clock (Option)</i>	<i>28</i>
4.4.8	<i>Receiver Monitor Clock (Option).....</i>	<i>28</i>
5	MECHANICAL SPECIFICATIONS	34
5.1	MECHANICAL OVERVIEW.....	34



5.2	ELECTRICAL CONNECTOR.....	35
5.2.1	<i>Module Plug Connector.....</i>	35
5.2.2	<i>Host Connector.....</i>	36
5.2.3	<i>Connector Pin Contact Mating.....</i>	38
5.3	CFP2 MODULE DIMENSIONS.....	40
5.3.1	<i>CFP2 Mechanical Surface Characteristics.....</i>	42
5.3.2	<i>CFP2 Insertion & Extraction.....</i>	42
5.4	HOST SYSTEM DIMENSIONS.....	43
5.5	RIDING HEAT SINK.....	43
5.6	OPTICAL CONNECTORS.....	46
5.6.1	<i>Optional Optical LC Connector Position for Telecom Applications.....</i>	47
5.7	ELECTRICAL CONNECTORS.....	48
5.8	PIN ASSIGNMENT.....	48
5.9	CFP2 BAIL LATCH COLOR CODING AND LABELING.....	58
6	REGULATORY COMPLIANCE.....	59



REVISION HISTORY

Draft	Date	Revised Items
0.0	Nov. 30, 2012	Initial draft, based on CFP2 Baseline Design, Release 1
0.1	Dec. 14, 2012	Edits from CFP MSA System OEM Reviewers comments -
0.2	Mar. 14, 2013	Added Table 2-5: Timing Parameters for CFP Hardware Signal Pins. Add Power Class 5 & 6 in Table 4-1 Voltage power supply Added future high speed electrical interface in Section 4.4. Changed Figure 4-1 to include common mode impedance termination. Changed REFCLK alternatives in Table 4-4 to be in line with what are specified in the MDIO specification.
0.3	Apr. 25, 2013	Added Max. numbers in Table 5-2. Modified Max. offset in Figure 5-10.



TABLE LIST

Table 2-1: Control Pins	9
Table 2-2: CFP2 Module Power Classes defined by Hardware Interlock.....	14
Table 2-3: Hardware Alarm Pins	15
Table 2-4: Management Interface Pins (MDIO).....	16
Table 2-5: Timing Parameters for CFP Hardware Signal Pins.....	16
Table 4-1 Voltage power supply	22
Table 4-2: Optional Reference Clock Characteristics.....	27
Table 4-3: Optional Transmitter & Receiver Monitor Clock Characteristics.....	29
Table 4-4: CFP2 Module Clocking Signals.....	19
Table 5-1: CFP2 Mechanical Characteristics	42
Table 5-2: CFP2 Module Insertion, Extraction Forces.....	43
Table 5-3: Optical Connectors.....	28
Table 5-4 CFP2 Host Connector Assembly.....	29
Table 5-5: CFP2 N x 25 Gbit/s Pin-Map	58
Table 5-6: CFP2 10 x 10 Gbit/s Pin-Map.....	50
Table 5-7: CFP2 Bottom Row Pin Description for N x 25 Gbit/s applications	Error! Bookmark not defined.
Table 5-8: CFP2 Bottom Row Pin Description for 10 x 10 Gbit/s applications	58
Table 5-9: CFP2 Bail Latch Color Coding	59



FIGURE LIST

Figure 1-1: CFP2 Functional Block Diagram	8
Figure 2-1: Reference +3.3V LVCMOS Output Termination	24
Figure 2-2: Reference MDIO Interface Termination	24
Figure 4-1: High Speed I/O for Data and Clocks	24
Figure 4-2: CFP2 Module Optional Loopback Orientation.....	26
Figure 4-3: Example of clocking for 4 x 25 Gbit/s CFP2 applications.....	20
Figure 4-4: Example of clocking for 10 x 10 Gbit/s CFP2 applications.....	20
Figure 5-1: CFP2 Module & CFP2 Module Mated in Host Dual Port System.....	21
Figure 5-2: Host Cage System and Mounting Method Overview.....	22
Figure 5-3: CFP2 Module Plug Connector Assembly	36
Figure 5-4: CFP2 Dual Port Host Connector Cover Assembly	36
Figure 5-5: CFP2 Host Connector Assembly.....	38
Figure 5-6: CFP2 Pin Map Connector Engagement.....	38
Figure 5-7: CFP2 Module Dimension Overview	40
Figure 5-8: Riding Heat Sink	44
Figure 5-9: Host Cage Top Surface Opening	27
Figure 5-10: CFP2 Optical Connector Position.....	28
Figure 5-11: CFP2 Connector Pin Map Orientation.....	29
Figure 5-12: CFP2 Module Label Recess	59





REFERENCE DOCUMENTS

- [1] CFP MSA Hardware Specification, Revision 1.4, June 7, 2010.
- [2] OIF-CEI-3.0, http://www.oiforum.com/public/documents/OIF_CEI_03.0.pdf
- [3] IEEE P802.3bm, 40Gbit/s and 100Gbit/s Operation Over Fiber Optic Cables Task Force, <http://www.ieee802.org/3/bm/index.html>
- [4] ITU-T Recommendation G.709 (2012) *Interfaces for the Optical Transport Network (OTN)*.
- [5] IEEE Std 802.3TM-2012, *Annexes 83A, 83B, and 86A*.
- [6] ITU-T Recommendation G.707 (2003) *Network node interface for the synchronous digital hierarchy (SDH)*.
- [7] CFP MSA Management Interface Specification, Version 2.0, April 10, 2012.
Note: Ver. 2.2 for CFP2 in preparation by CFP MSA.
- [8] IEEE Std 802.3TM-2012, Cl. 45, Management Data Input/Output (MDIO) Interface.
- [9] SFF Committee INF-8077i 10 Gigabit Small Form Factor Pluggable Module
- [10] SFF Committee SFF-8431 Specifications for Enhanced Small Form Factor Pluggable Module SFP+

1 GENERAL

1.1 SCOPE

This CFP Multi-Source Agreement (MSA) defines the CFP2 form factor of an optical transceiver which can support 10Gbit/s, 40Gbit/s, 100Gbit/s and 400Gbit/s interfaces for Ethernet, ITU-T OTN and other applications. Specifications provided in this document are given as a “delta” to the CFP MSA Hardware Specification Rev. 1.4 [1].

The CFP2 electrical interface will vary by application, but the nominal signaling lane rate is 25Gbit/s per lane and documentation is provided in OIF CEI-28G-VSR [2], CAUI-4 [3], and OTL4.4 [4] electrical interface specifications. The CFP2 electrical interface can also optionally support a nominal signaling lane rate of 10Gbit/s and documentation is provided in CAUI [5], XLAUI [5], CPPI [5], XLPPI [5], OTL4.10 [4], OTL3.4[4] and STL256.4[6]. The CFP2 module may be used to support single mode and multimode fiber optics.

CFP2 also support 50Gbit/s per lane signaling rate which is anticipated to be specified in the OIF CEI-56G-VSR IA.

The CFP2 modules and the host system are hot-pluggable. The module or the host system shall not be damaged by insertion or removal of the module.

CFP MSA is an acronym for 100G¹ Form factor Pluggable Multi-Source Agreement.

1.1.1 *Application & Qualification*

Per specifications given in CFP MSA [1].

1.2 CFP2 FUNCTIONAL BLOCK DIAGRAM

¹ C = 100 in Roman numerals; Centum



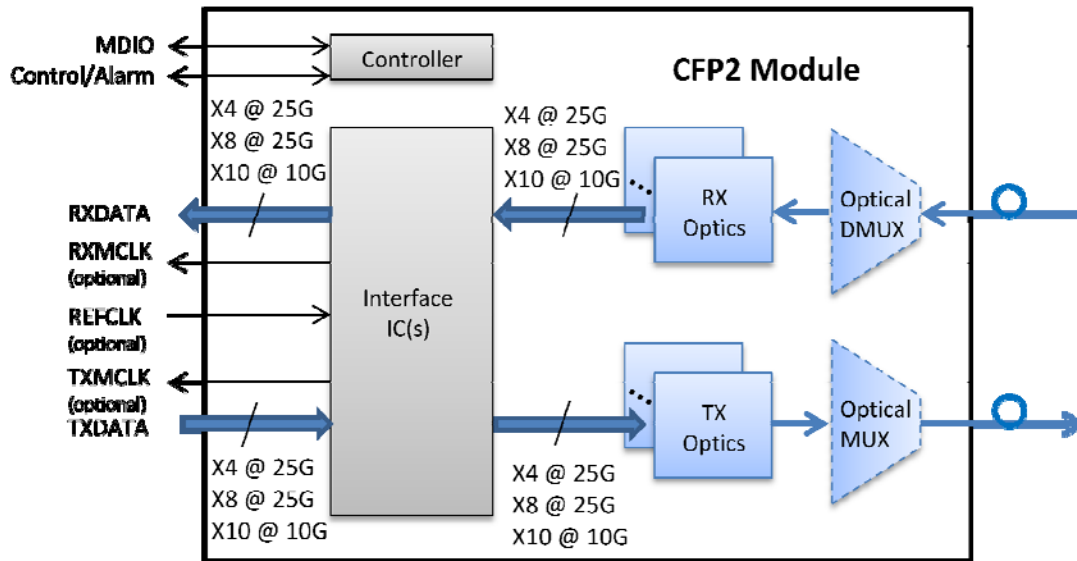


Figure 1-1: CFP2 Functional Block Diagram

* Other supported RXDATA and TXDATA bit rates include x8 @ 50Gbit/s.

1.3 FUNCTIONAL DESCRIPTION

The CFP2 module is a hot pluggable form factor designed for optical networking applications. The module size has been chosen to accommodate a wide range of power dissipations and applications. The module electrical interface has been generically specified to allow for supplier-specific customization around various "4 x 25Gbit/s" interfaces, but can support 8x25Gbit/s, 10x10Gbit/s, and 8x50Gbit/s.

1.3.1 Hot Pluggable

Per specifications given in CFP MSA Hardware Specification, Revision 1.4, June 7, 2010 [1].

2 CFP2 Hardware Signaling Pins

The control and status reporting functions between a host and a CFP2 module use non-data control and status reporting pins on the 104-pin connector. The control and status reporting pins work together with the MDIO interface to form a complete HOST-CFP2 management interface. The status reporting pins provide status reporting. There are six (6) Hardware Control pins, five (5) Hardware Alarm pins, and six (6) pins dedicated to the MDIO interface. Specification of the CFP2 hardware signaling pins are given in Ref. [1] with the following changes listed in this section.

2.1 Hardware Control Pins

The CFP2 Module supports real-time control functions via hardware pins, listed in

Table 2-1. Specifications of the CFP2 hardware control pins are given in Ref. [1], with the following changes listed below.

Table 2-1: Control Pins

Pin #	Symbol	Description	I/O	Logic	"H"	"L"	Pull-up /down
17	PRG_CNTL1	Programmable Control 1 <i>MSA Default: TRXIC_RSTn, TX & RX ICs reset,</i> <i>"0": reset, "1" or NC: enabled</i>	I	3.3V LVCMOS	per CFP MSA MIS Ref. [7]		Pull – Up ²
18	PRG_CNTL2	Programmable Control 2 <i>MSA Default: Hardware Interlock LSB</i>	I	3.3V LVCMOS			Pull – Up ²
19	PRG_CNTL3	Programmable Control 3 <i>MSA Default: Hardware Interlock MSB</i>	I	3.3V LVCMOS			Pull – Up ²
24	TX_DIS	Transmitter Disable	I	3.3V LVCMOS	Disable	Enable	Pull – Up ²
26	MOD_LOPWR	Module Low Power Mode	I	3.3V LVCMOS	Low Power	Enable	Pull – Up ²
28	MOD_RSTn	Module Reset, Active Low (invert)	I	3.3V LVCMOS	Enable	Reset	Pull – Down ³

²Pull-Up resistor (4.7 kOhm to 10 kOhm) is located within the CFP2 module

³Pull-Down resistor (4.7 kOhm to 10 kOhm) is located within the CFP2 module

2.2 Hardware Control Pins: Functional Description

Per specifications given in CFP MSA Hardware Specification, Revision 1.4, June 7, 2010 [1] except as noted below.

2.2.1 Programmable Controls (PRG_CNTLs)

2.2.1.1 Hardware Interlock

The CFP2 module Hardware Interlock function is specified in Ref. [1] with power classes defined in the below Table 2-2.

Table 2-2: CFP2 Module Power Classes defined by Hardware Interlock

Hardware Interlock Description		Power Class	CFP2 Module Power Dissipation W
MSB	LSB		
0	0	1	≤ 3
0	1	2	≤ 6
1	0	3	≤ 9
1	1	≥ 4	> 9

2.3 Hardware Alarm Pins

The CFP2 Module supports alarm hardware pins as listed in Table 2-3. Specifications of the CFP2 hardware alarm pins are given in Reference [1].

Table 2-3: Hardware Alarm Pins

Pin #	Symbol	Description	I/O	Logic	"H"	"L"	Pull-up /down
20	PRG_ALRM1	Programmable Alarm 1 <i>MSA Default: HIPWR_ON</i>	O	3.3V LVCMOS	Active High per CFP MSA MIS Ref. [7]		
21	PRG_ALRM2	Programmable Alarm 2 <i>MSA Default: MOD_READY, Ready state has been reached</i>	O	3.3V LVCMOS			
22	PRG_ALRM3	Programmable Alarm 3 <i>MSA Default: MOD_FAULT</i>	O	3.3V LVCMOS			
25	RX_LOS	Receiver Loss of Signal	O	3.3V LVCMOS	Loss of Signal	OK	
27	MOD_ABS	Module Absent	O	3.3V LVCMOS	Absent	Present	Pull Down ²

2.4 Hardware Alarm Pins: Functional Description

Per specifications given in CFP MSA Hardware Specification, Revision 1.4, June 7, 2010 [1].

2.5 Management Interface Pins

The CFP2 Module supports alarm, control and monitor functions via an MDIO bus. Upon module initialization, these functions are available. CFP2 MDIO electrical interface consists of six (6) pins including two (2) pins for MDC and MDIO, three (3) Physical Port Address pins, and the Global Alarm pin. MDC is the MDIO Clock line driven by the host and MDIO is the bidirectional data line driven by both the host and module depending upon the data directions. The CFP2 MDIO pins are listed in Table 2-4. Specifications of the CFP2 hardware management interface pins are given in Reference [1] with the following changes listed below.

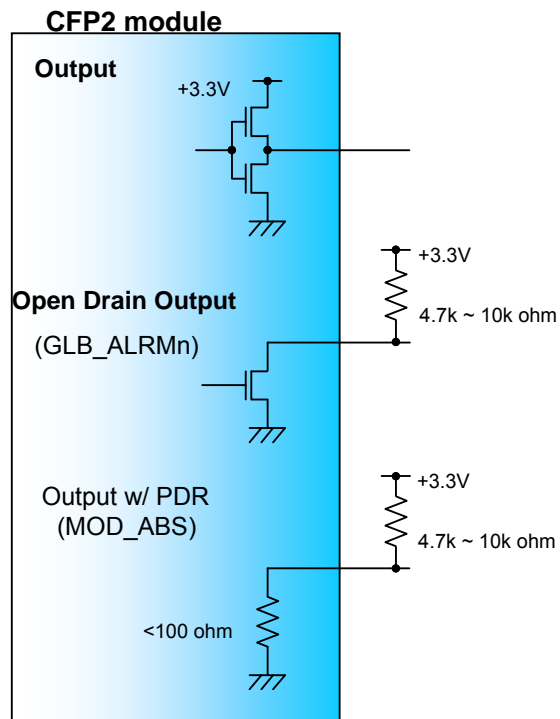
² Pull-Down resistor (<100 Ohm) is located within the CFP2 module. Pull-up should be located on the host.



Table 2-4: Management Interface Pins (MDIO)

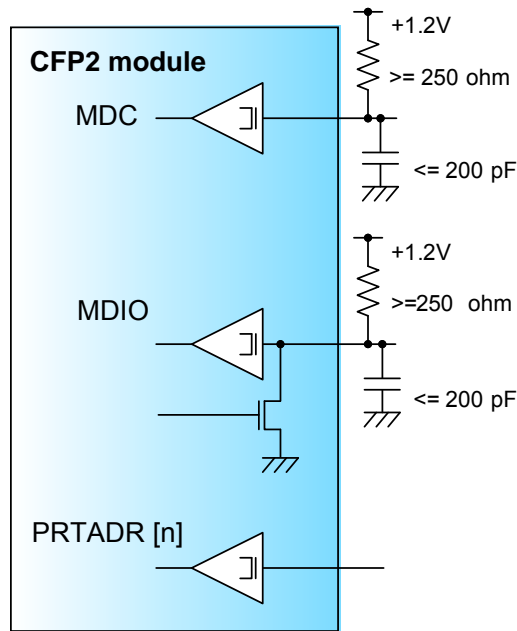
Pin #	Symbol	Description	I/O	Logic	"H"	"L"	Pull-up /down
29	GLB_ALRMn	Global Alarm	O	3.3V LVCMOS	OK	Alarm	
31	MDC	MDIO Clock	I	1.2V LVCMOS			
32	MDIO	Management Data Input Output Bi-Directional Data	I/O	1.2V LVCMOS			
33	PRTADR0	MDIO Physical Port address bit 0	I	1.2V LVCMOS	per CFP MSA MIS Ref. [7]		
34	PRTADR1	MDIO Physical Port address bit 1	I	1.2V LVCMOS			
35	PRTADR2	MDIO Physical Port address bit 2	I	1.2V LVCMOS			

Figure 2-1: Reference +3.3V LVCMOS Output Termination



* Per CFP MSA Hardware Specification, Revision 1.4, June 7, 2010 [1]

Figure 2-2: Reference MDIO Interface Termination³



* Per CFP MSA Hardware Specification, Revision 1.4, June 7, 2010 [1]

The above drawing, with maximum host load capacitance of 200pF, also defines the measurement set-up for module MDC timing verification

2.6

CFP2 Management Interface Hardware Description

Per specifications given in CFP MSA Hardware Specification, Revision 1.4, June 7, 2010 [1] except as noted below.

³ The MSA recommends host termination resistor value of 560 Ohms, which provides the best balance of performance for both open-drain and active tri-state driver in the module. Host termination resistor values less than 560 Ohms are allowed, to a minimum of 250 Ohms, but this degrades active driver performance. Host termination resistor values greater than 560 Ohms are allowed but this degrades open-drain driver performance.

2.6.1 MDIO Physical Port Addresses

These control pins are used for the system to address all of the CFP2 ports contained within a host system. PRTADR0 corresponds to the LSB in the physical port addressing scheme. The 3-wire Physical Port Address lines are driven by host to set the module Physical Port Address which should match the address specified in the MDIO Frame. It is recommended that the Physical Port Addresses not be changed while the CFP2 module is powered on because this will result in unpredictable module behavior.

2.7 Hardware Signaling Pin Electrical Specifications

Per specifications given in CFP MSA Hardware Specification, Revision 1.4, June 7, 2010 [1].

2.8 Hardware Signaling Pin Timing Requirements

Timing requirements for Hardware Signaling Pins can be found in Table 2-5.

Table 2-5: Timing Parameters for CFP Hardware Signal Pins

Parameter	Symbol	Min.	Max.	Unit	Notes & Conditions
Hardware MOD_LOPWR assert	t_MOD_LOPWR_assert		1	ms	Application Specific. May depend on current state condition when signal is applied. See Vendor Data Sheet
Hardware MOD_LOPWR deassert	t_MOD_LOPWR_deassert			ms	Value is dependent upon module start-up time. Please see register "Maximum High-Power-up Time" in CFP MSA Management Interface Specification [7]
Receiver Loss of Signal Assert Time	t_loss_assert		100	µs	Maximum value designed to support telecom applications
Receiver Loss of Signal De-Assert Time	t_loss_deassert		100	µs	Maximum value designed to support telecom applications
Global Alarm Assert Delay Time	GLB_ALRMn_assert		150	ms	This is a logical "OR" of associated MDIO alarm & status registers. Please see CFP MSA Management Interface Specification [7] for further details
Global Alarm De-Assert Delay Time	GLB_ALRMn_deassert		150	ms	This is a logical "OR" of associated MDIO alarm & status registers. Please see CFP MSA Management Interface Specification [7] for further details
Management Interface Clock Period	t_prd	250		ns	MDC is 4 MHz or less
Host MDIO t_setup	t_setup	10		ns	
Host MDIO t_hold	t_hold	10		ns	
CFP MDIO t_delay	t_delay	0	175	ns	
Initialization time from Reset	t_initialize		2.5	s	
Transmitter Disabled (TX_DIS asserted)	t_deassert		100	µs	Application Specific
Transmitter Enabled (TX_DIS de-asserted)	t_assert		20	ms	From TX-Off state.



3 MODULE MANAGEMENT INTERFACE DESCRIPTION

The CFP2 module utilizes MDIO IEEE Std 802.3TM-2012 clause 45 [8] for its management interface. The CFP2 MDIO implementation is defined in a separate document entitled, “CFP MSA Management Interface Specification” [7]. When multiple CFP2 modules are connected via a single bus, a particular CFP2 module can be selected by using the Physical Port Address pins.



4 PERFORMANCE SPECIFICATIONS

4.1 OPERATING ENVIRONMENT

Per specifications given in CFP MSA Hardware Specification, Revision 1.4, June 7, 2010 [1].

4.2 POWER SUPPLIES AND POWER DISSIPATION

4.2.1 Voltage power supply and power dissipation

The CFP2 module power supply and maximum power dissipation specifications are defined in Table 4-1.

4.2.2 Inrush current

The inrush current on the 3.3V power supply shall be limited by the CFP2 module to assure a maximum rate of change defined in Table 4-1.

4.2.3 Turn-off current

The CFP2 module shall limit the turn-off current to assure a maximum rate of change per Table 4-1.

4.2.4 Power Supply Noise Susceptibility

A host system will supply stable power to the module and guarantee that noise & ripple on the power supply does not exceed that defined in the table. A possible example of a power supply filtering circuit that might be used on the host system is a PI C-L-C filter. A module will meet all electrical requirements and remain fully operational in the presence of noise on the 3.3V power supply which is less than that defined in the table 4-1. The component values of power supply noise filtering circuit, such as the capacitor and inductor, must be selected such that maximum Inrush and Turn-off current does not cause voltage transients which exceed the absolute maximum power supply voltage, all specified in Table 4-1.

Table 4-1 Voltage power supply



Parameters		Symbol	Min	Typ.	Max	Unit
Absolute Maximum Power Supply Voltage		VCC	-	-	3.6	V
Total Power Dissipation	Class 1	Pw	-	-	3	W
	Class 2		-	-	6	
	Class 3		-	-	9	
	Class 4		-	-	12	
	Class 5		-	-	15	
	Class 6		-	-	18	
Low Power Mode Dissipation		Plow	-	-	2	W
Operating Power Supply Voltage		VCC	3.2	3.3	3.4	V
Operating Power Supply Current ⁴	Class 1 and 2	ICC	-	-	1.875	A
	Class 3 and 4	ICC	-	-	3.75	A
	Class 5 and 6	ICC	-	-	5.625	A
Inrush Current ⁵	Class 1 and 2	I-inrush	-	-	100	mA/usec
Turn-off Current		I-turnoff	-100	-	-	mA/usec
Inrush Current ⁴	Class 3 and 4	I-inrush	-	-	200	mA/usec
Turn-off Current		I-turnoff	-200	-	-	mA/usec
Inrush Current ⁴	Class 5 and 6	I-inrush	-	-	250	mA/usec

⁴ Maximum current per pin shall not exceed 500mA. Those power classes for which the maximum current per pin exceeds 500mA will require agreement from an electrical connector supplier.

⁵ For modules which present a small capacitive load to the host during hot plug ($C \leq 500\text{nF}$), the portion of the inrush current due to charging the capacitor can be excluded from the total inrush current which must meet the maximum limit specification.

Turn-off Current		I-turnoff	-250	-	-	mA/usec
Power Supply Noise		Vrip	-	-	2%	DC – 1MHz
					3%	1 – 10MHz

4.2.5 Grounding

Per specifications given in CFP MSA Hardware Specification, Revision 1.4, June 7, 2010 [1].

4.3 OPTICAL CHARACTERISTICS

4.3.1 *Optical specifications*

The CFP2 module will comply with standardized optical specifications such as the optical reaches specified in IEEE for datacom applications or in ITU-T for telecom applications. Some of the relevant reference documents are: IEEE Std. 802.3™-2012[5], Telcordia GR-253, ITU-T G.691, ITU-T G.692, ITU-T G.693, and ITU-T G.959, ITU-T G.709 [4].

4.4 HIGH SPEED ELECTRICAL CHARACTERISTICS

The CFP2 Module high speed electrical interface supports the following configurations:

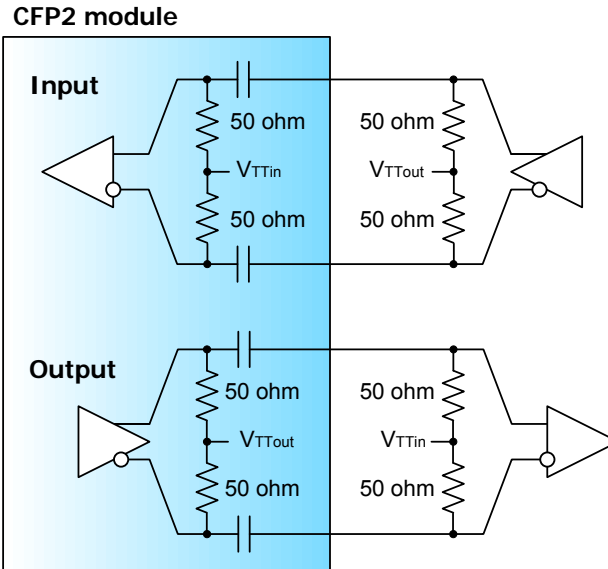
- 1) 4 tx lanes + 4 rx lanes, each at 25 Gbit/s;
- 2) 8 tx lanes + 8 rx lanes, each at 25 Gbit/s;
- 3) 10 tx lanes + 10 rx lanes, each at 10 Gbit/s.

Following electrical interfaces may be supported in future.

- 4) 4 tx lanes + 4 rx lanes, each at 50 Gbit/s;
- 5) 8 tx lanes + 8 rx lanes, each at 50 Gbit/s;

The high speed electrical interface shall be AC-coupled within the CFP2 module as is shown in Figure 4-1.

Figure 4-1: High Speed I/O for Data and Clocks



4.4.1 25 Gbit/s Transmitter Data (and Clock)

The 25 Gbit/s Transmitter Data is defined in OIF CEI-28G-VSR [2]. Lane orientation and designation is specified in the pin-map tables given in Section 5.8

The specifications for 4 x 25 Gbit/s electrical interfaces for 100G Ethernet applications are currently under development in IEEE P802.3bm task force [3]. References to completed IEEE standards for these electrical interfaces will be provided in a future release of this MSA.

4.4.2 25 Gbit/s Receiver Data (and Clock)

The 25 Gbit/s Receiver Data is defined in OIF CEI-28G-VSR [2]. Lane orientation and designation is specified in the pin-map tables given in Section 5.8.

The specifications for 4 x 25 Gbit/s electrical interfaces for 100G Ethernet applications are currently under development in IEEE 802.3 Working Group. References to completed IEEE standards for these electrical interfaces will be provided in a future release of this MSA.

4.4.3 10 Gbit/s Transmitter Data (and Clock)

The 10 Gbit/s Transmitter Data is defined in IEEE Std. 802.3TM-2012 Annex 83A for CPPI and XLPPI and Annex 83B for CAUI and XLAUI [5], or XFI in SFF INF-8077i [9] and SFI in SFF SFF-8431 [10]. Future OIF CEI-56G-VSR electrical specifications will apply. Figure 4-1 shows the recommended termination for these circuits. Alternate signaling logic are OTL3.4 and OTL4.10 which are specified in Reference [4]. Lane orientation and designation is specified in the pin-map tables given in Section 5.8.

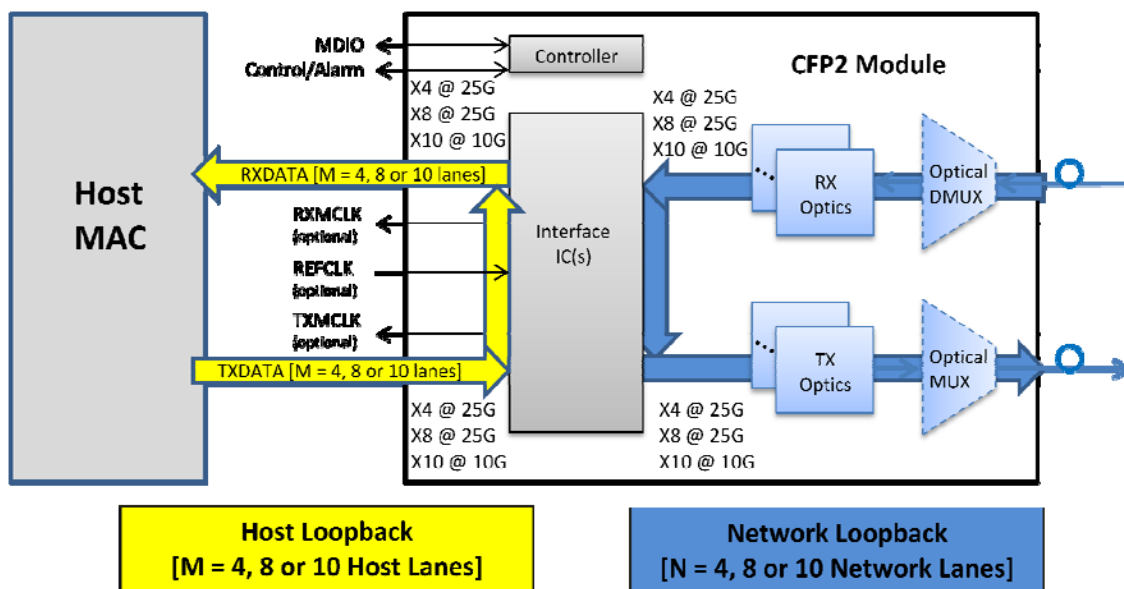
4.4.4 10 Gbit/s Receiver Data (and Clock)

The 10 Gbit/s Transmitter Data is defined in IEEE Std. 802.3™-2012 Annex 83A for CPPI and XLPPI and Annex 83B for CAUI and XLAUI [5], or XFI in SFF INF-8077i [9] and SFI in SFF SFF-8431 [10]. Future OIF CEI-56G-VSR electrical specifications will apply. Figure 4-1 shows the recommended termination for these circuits. Alternate signaling logic are OTL3.4 and OTL4.10 which are specified in Reference [4]. Lane orientation and designation is specified in the pin-map tables given in Section 5.8.

4.4.5 Loopback (Optional)

The CFP2 module may optionally support loopback functionality. The capability to support the loopback functionality is dependent upon the interface IC technology, labeled as “Interface IC(s)” in the figure below. Recommended loopback orientation implementation is TX0 to RX0. The host loopback and the network loopback are oriented per Figure 4-2 shown below. The CFP MSA module vendor will specify which loopback functionality, if any, is supported. For details on controlling the loopback mode, please refer to Reference [7]. In optional loopback, TX_n is looped back to RX_n, for example TX₀₊ to RX₀₊, on both host and network side.

Figure 4-2: CFP2 Module Optional Loopback Orientation



4.4.6 Reference Clock (Option)

For M x 25 Gbit/s host electrical interface applications, the host may optionally supply a reference clock (REFCLK) at 1/160 electrical lane rate. The CFP2 module may optionally use the 1/160 reference clock or the 1/32 network lane rate clock recovered from the receiver path for transmitter path retiming, for example for Ethernet applications.

The host shall optionally supply a reference clock (REFCLK) at 1/40 electrical lane rate for M x 25 Gbit/s applications. The CFP2 module may optionally use the 1/40 reference clock for transmitter path retiming, for example for Telecom applications.

For M x 10 Gbit/s host electrical interface applications, the host may optionally supply a reference clock (REFCLK) at 1/64 electrical lane rate. The CFP2 module may optionally use the 1/64 reference clock for transmitter path retiming, for example for Ethernet applications.

The host may optionally supply a reference clock (REFCLK) at 1/16 electrical lane rate for M x 10 Gbit/s applications. The CFP2 module may optionally use the 1/16 reference clock for transmitter path retiming, for example for Telecom applications.

When provided, the REFCLK shall be CML differential AC-coupled and terminated within the CFP2 module as shown in Figure 4-1. There is no required phase relationship between the data lanes and the reference clock, but the clock frequency shall not deviate more than specified in Table 4-2. For detailed clock characteristics please refer to the below table.

Table 4-2: Optional Reference Clock Characteristics

		Min.	Typ.	Max.	Unit	Notes
Impedance	Zd	80	100	120	Ω	
Frequency						See Table 4-4: CFP2 Module Clocking Signals
Frequency Stability	Δf	-100		100	ppm	For Ethernet applications;
		-20		20		For Telecom applications
Output Differential Voltage	V _{DIFF}	400		1200	mV	Peak to Peak Differential



RMS Jitter ^{6,7}	σ			10	ps	Random Jitter. Over frequency band of 10kHz < f < 10MHz
Clock Duty Cycle		40		60	%	
Clock Rise/Fall Time 10/90%	$t_{r/f}$	200		1250	ps	1/160 of electrical lane rate for M x 25 Gbit/s and 1/64 of electrical lane rate for M x 10 Gbit/s
		50		315		1/40 of electrical lane rate for M x 25 Gbit/s and 1/16 of electrical lane rate for M x 10 Gbit/s

An example of CFP2 clocking for 4 x 25 Gbit/s applications is shown in Figure 4-3. An example of CFP2 clocking for 10 x 10 Gbit/s applications is shown in Figure 4-4.

4.4.7 Transmitter Monitor Clock (Option)

The CFP2 module may optionally supply a transmitter monitor clock for M x 25 Gbit/s applications. This option is not available for M x 10 Gbit/s applications. The transmitter monitor clock is intended to be used as a reference for measurements of the optical output. If provided, the clock shall operate at a rate relative to the optical network lane rate of 1/8 or 1/32 of 25 Gbit/s for 100 Gbit/s (4x25 Gbit/s, 8x25 Gbit/s) applications. Another option is a clock at 1/40 or 1/160 the rate of (host) transmitter electrical input data for M x 25 Gbit/s. Clock termination is shown in Figure 4-1. Detailed clock characteristics are specified in Table 4-3.

4.4.8 Receiver Monitor Clock (Option)

The CFP2 module may optionally supply a receiver monitor clock for M x 25 Gbit/s applications. This option is not available for M x 10 Gbit/s applications. The receiver monitor clock is intended to be used as a reference for measurements of the optical input. If provided, the clock shall operate at a rate relative to the optical network lane rate of 1/8 or 1/32 of 25 Gbit/s for 100 Gbit/s (4x25 Gbit/s, 8x25 Gbit/s) applications. Another option is a clock at 1/40 or 1/160 the rate of (host) transmitter electrical input data for M x 25 Gbit/s. Clock termination is shown in Figure 4-1. Detailed clock characteristics are specified in Table 4-3.

⁶ The spectrum of the jitter within this frequency band is undefined. The CFP2 shall meet performance requirements with worst case condition of a single jitter tone of 10ps RMS at any frequency between 10 KHz and 10 MHz.

⁷ For Telecom applications better frequency may be required.

Table 4-3: Optional Transmitter & Receiver Monitor Clock Characteristics

		Min.	Typ.	Max.	Unit	Notes
Impedance	Zd	80	100	120	Ω	
Frequency						See Table 4-4: CFP2 Module Clocking Signals
Output Differential Voltage	V _{DIFF}	400		1200	mV	Peak to Peak Differential
Clock Duty Cycle		40		60	%	



Table 4-4: CFP2 Module Clocking Signals

Clock Name	Status	I/O	M x 25 Gbit/s Default Host Lane Rate		Optional rate
			Datacom 100GBASE-SR4/LR4/ER4	Telecom OTU4	
REFCLK	Optional	I	1/160 (161.1328 MHz) or 1/40 (644.5313 MHz)	1/160 (174.7031 MHz)	
TX_MCLK RX_MCLK	Optional	O	1/8 (3.22266 GHz) or 1/32 (805.665 MHz) or 1/40 (644.5313 MHz) or 1/160 (161.1328 MHz)	1/8 (3.49406 GHz) or 1/32 (873.515 MHz) or 1/40 (698.8123 MHz) or 1/160 (174.7031 MHz)	
Clock Name	Status	I/O	M x 10 Gbit/s Default Host Lane Rate		Optional rate
			Datacom 100GBASE-LR4 100GBASE-SR10 40GBASE-SR4/LR4/ER4 10x10GBASE-SR/LR	Datacom 40GBASE-FR Telecom OTU4 OC-768/STM-256,OTU3	
REFCLK	Optional	I	1/64 of host lane rate (161.1328 MHz)	1/64 of host lane rate (D : 161.1328 MHz) (T : 1xx MHz)	1/16 of host lane rate (D : 644.5313 MHz) (T : 6xx MHz)
TX_MCLK	Not Available				



<i>RX_MCLK</i>	<i>Not Available</i>				
----------------	----------------------	--	--	--	--

Note: Multi-protocol modules are recommended to adopt the clock rate used in Telecom applications.



Figure 4-3: Example of clocking for 4 x 25 Gbit/s CFP2 applications

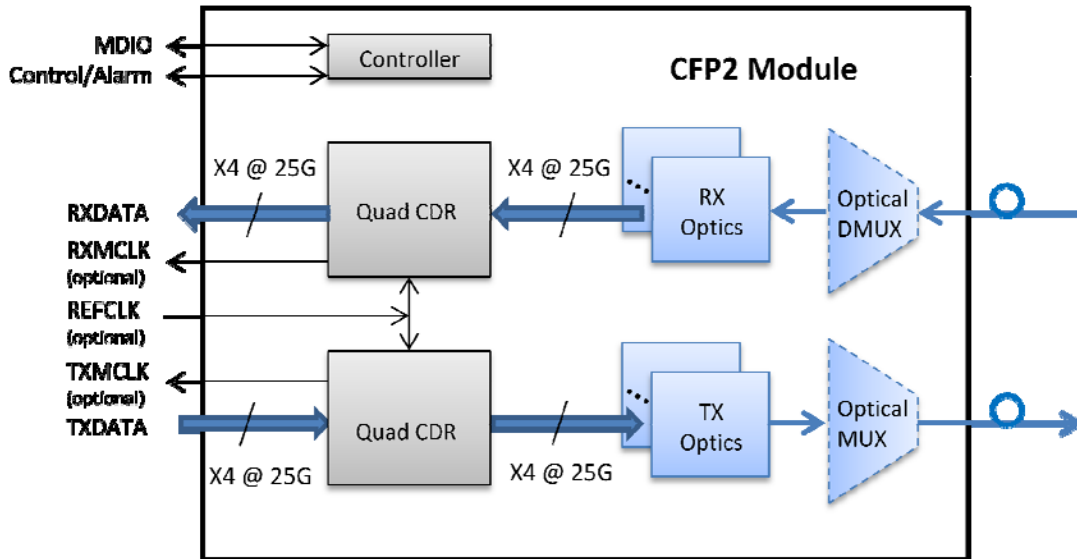
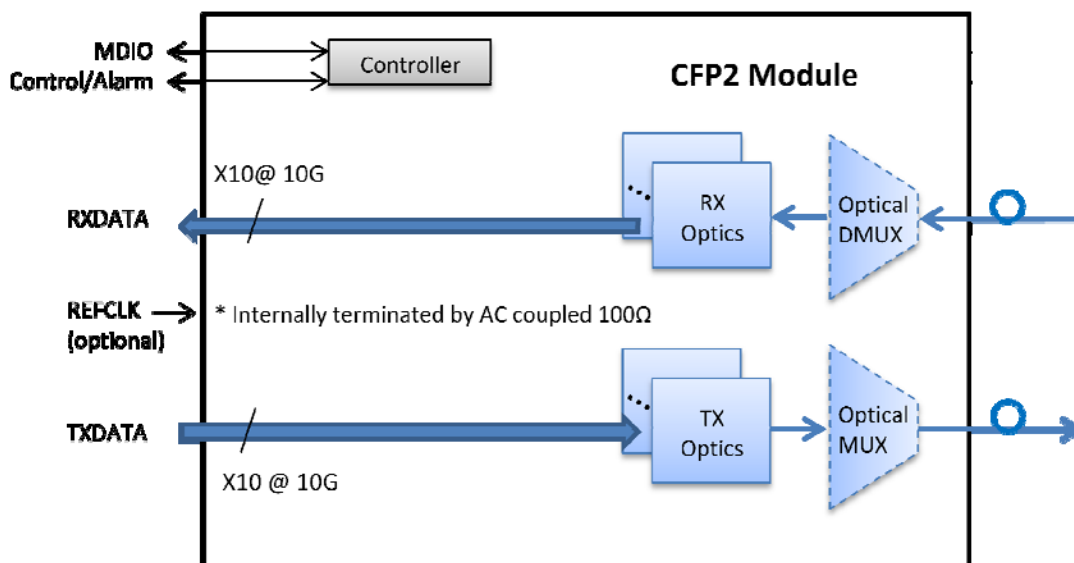


Figure 4-4: Example of clocking for 10 x 10 Gbit/s CFP2 applications



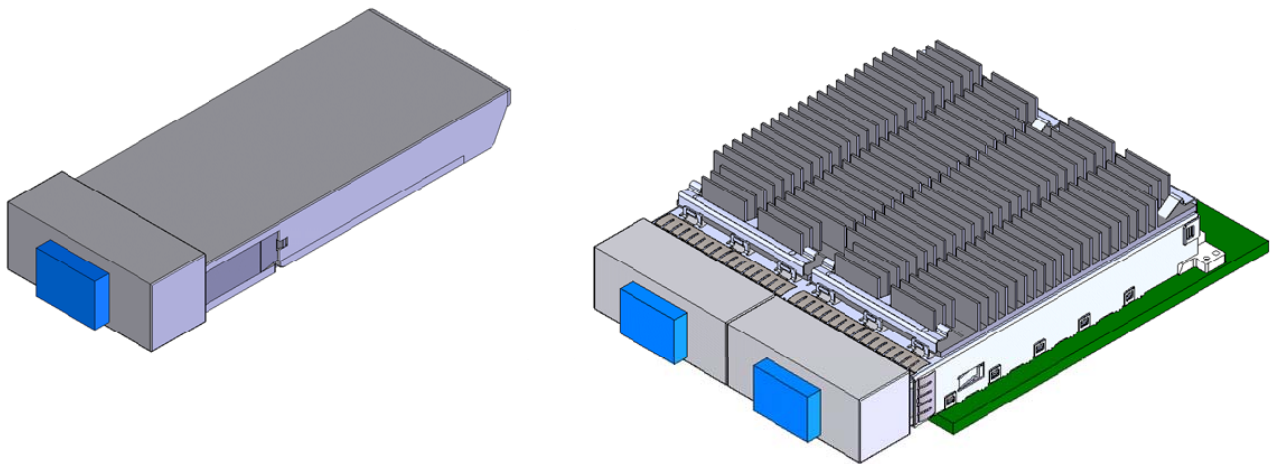


5 MECHANICAL SPECIFICATIONS

5.1 Mechanical Overview

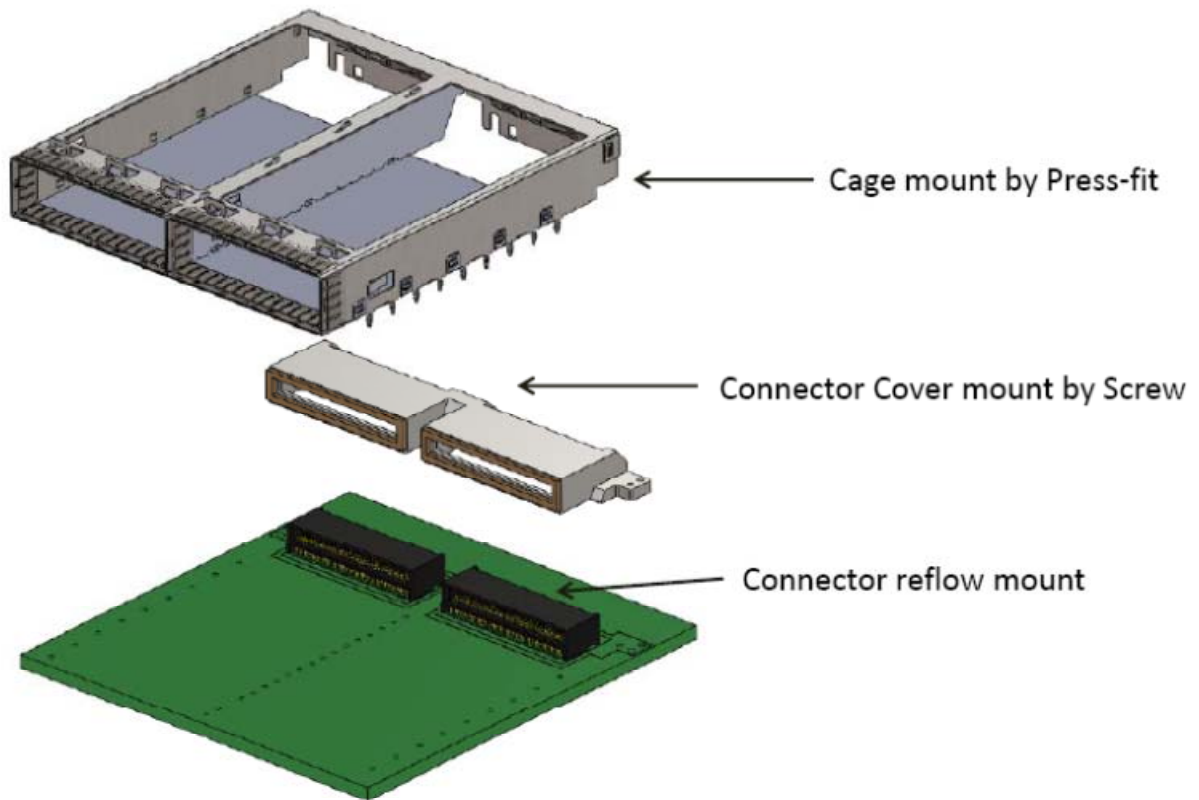
The CFP2 module is designed to be plugged into a host cage assembly with a riding heat sink. The cage assembly is fabricated within the host system and the CFP2 module may be inserted at a later time. Shown in Figure 5-1 is a drawing of the CFP2 module and CFP2 modules inserted into a host dual-port cage system with a riding heat sink.

Figure 5-1: CFP2 Module & CFP2 Module Mated in Host Dual Port System



Starting in Figure 5-2 is an overview of the CFP2 mechanical assembly with subsequent figures showing the constituent elements in greater detail. The detailed dimensions are located in a separate design document hosted on the CFP MSA Website (www.cfp-msa.org).

Figure 5-2: Host Cage System and Mounting Method Overview



* Other mounting options are possible.

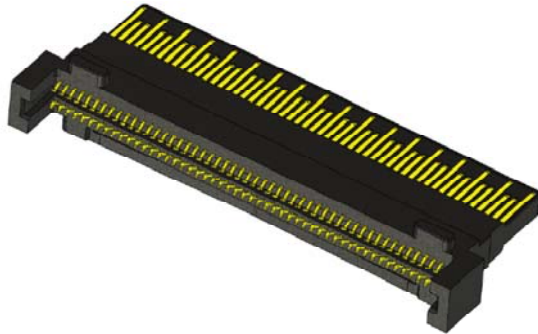
5.2 Electrical Connector

Shown below are details of the electrical connector system used for the CFP2 MSA. The detailed dimensions are located in a separate document hosted on the CFP MSA Website (www.cfp-msa.org).

5.2.1 *Module Plug Connector*

The CFP2 MSA specifies a two piece electrical connector for superior electrical performance and superior mechanical integrity. Shown in Figure 5-3 is the module plug connector assembly which is contained as a sub-component within the CFP2 module.

Figure 5-3: CFP2 Module Plug Connector Assembly



5.2.2 Host Connector

The CFP2 MSA specifies a two piece electrical connector for superior electrical performance and superior mechanical integrity. Shown in Figure 5-4 and Figure 5-5 are overview drawings of the host connector and cover assemblies. These assemblies shall be built into the host system. The Host Connector shall be covered by the Host Connector Cover Assembly which provides electromagnetic shielding.

The Host Connector cover includes gaskets around the connector cover openings for the module plug connector. These gaskets provide electromagnetic shielding between the module and host connector for improved electromagnetic performance. Specifications for the connector cover gaskets are not given in this MSA but are to be provided by the host electrical connector component supplier.

This MSA does specify the host connector cover gasket shall meet a minimum peel strength of 12 N/cm (7 lbs/in).

Figure 5-4: CFP2 Dual Port Host Connector Cover Assembly

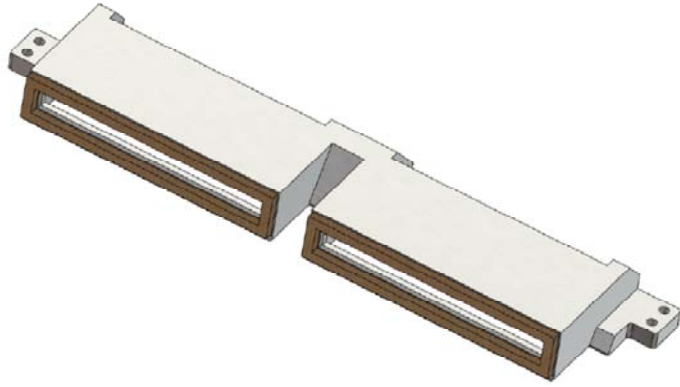
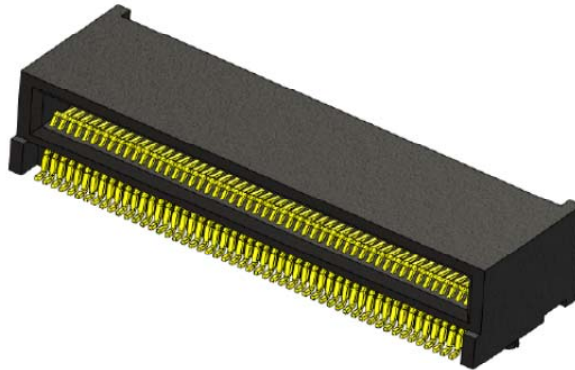


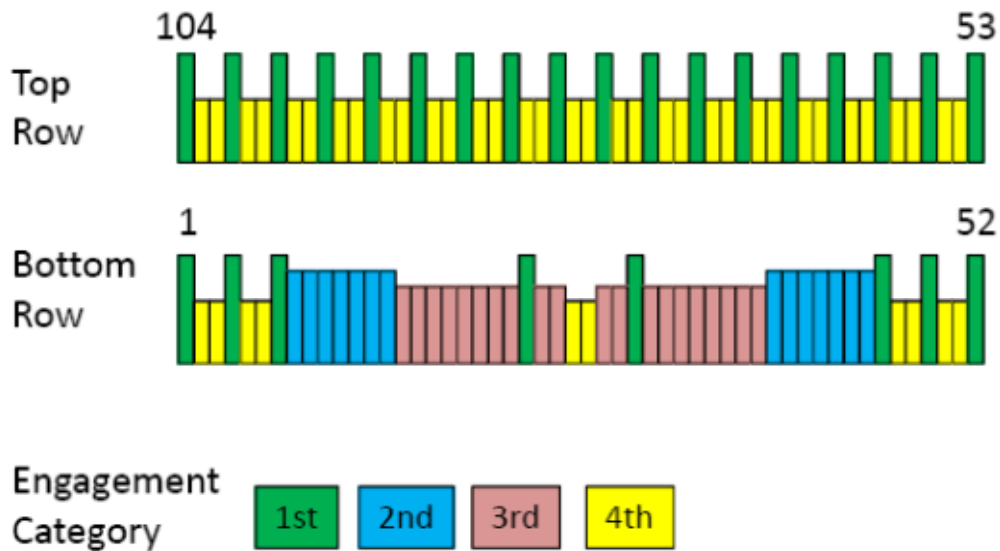
Figure 5-5: CFP2 Host Connector Assembly



5.2.3 Connector Pin Contact Mating

The module plug connector has a physical offset of metal contact pins to insure that certain signals make engagement between the module and host prior to other signals. There are four categories of pin engagement. A map of the connector engagement is shown in Figure 5-6. The connector pin map engagement order is guaranteed by the physical offset built into the module plug connector. The host connector has all contacts on the same plane without offset.

Figure 5-6: CFP2 Pin Map Connector Engagement

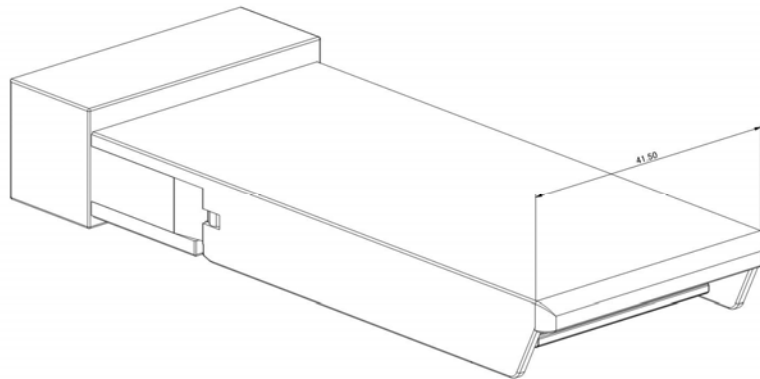


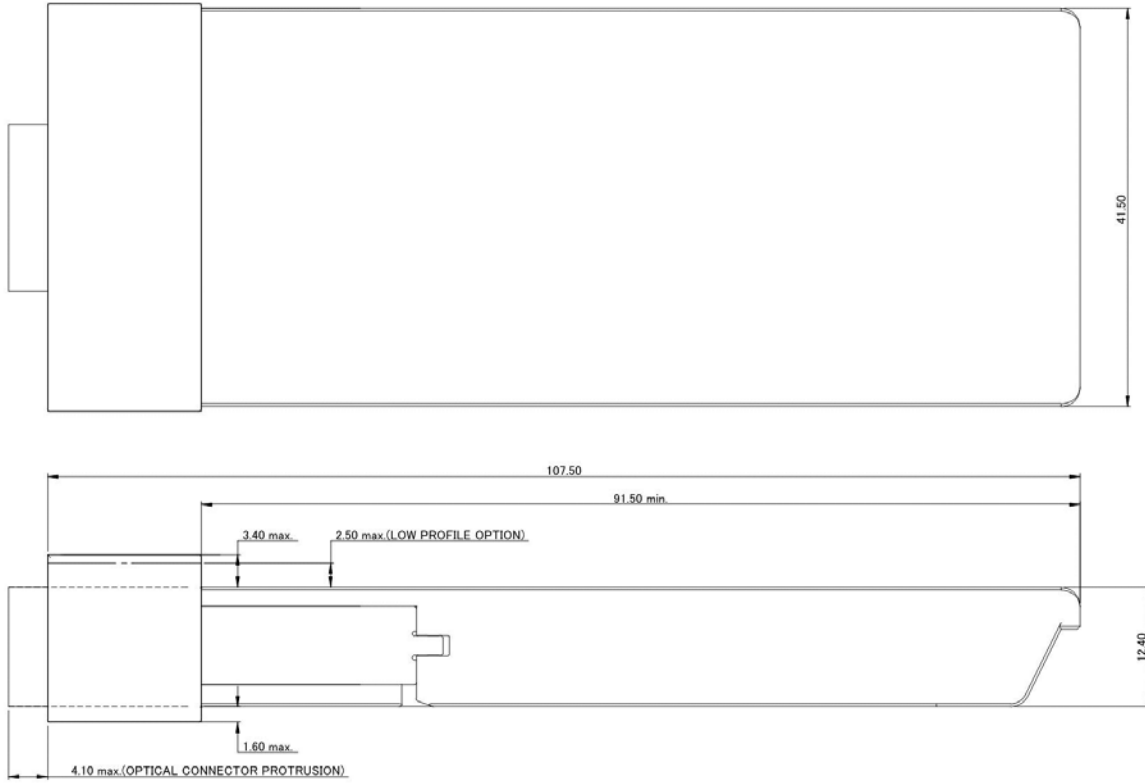


5.3 **CFP2 Module Dimensions**

An overview of the CFP2 module dimensions is shown in the below Figure 5-7. The CFP2 maximum header height is specified as shown in Figure 5-7. A low-profile header height option is specified to accommodate narrow host front panel designs. The detailed CFP2 module dimensions are located in a separate document hosted on the CFP MSA Website (www.cfp-msa.org). All mechanical hardware dimensions in this document are for reference only. Normative dimensions are found in the latest published CFP2 baseline drawing.

Figure 5-7: CFP2 Module Dimension Overview





5.3.1 CFP2 Mechanical Surface Characteristics

The mechanical surface of flat top CFP2 module which may be in contact with the host riding heat sink assembly shall be compliant with specifications in Table 5-1. The parameters listed in Table 5-1 define the CFP2 module thermal interface and may be used by host system designers to specify the host cage assembly opening and riding heat sink for optimizing host system thermal management performance. Surface flatness and roughness parameters are specified per CFP2 module power class (see Table 2-2) to allow for optimization of module thermal performance and cost. Non-compliance to these specifications may cause significant thermal performance degradation. Only the top surface of the module is assumed to be used for heat transfer.

Table 5-1: CFP2 Mechanical Characteristics

Parameters	Power Class	Max.	Unit	Notes
Weight	1 - 4	210	g	
Flatness	1	0.15	mm	
	2	0.15	mm	
	3	0.12	mm	
	4	0.12	mm	
Roughness	1	3.2	Ra	
	2	3.2	Ra	
	3	1.6	Ra	
	4	1.6	Ra	
Temperature Delta	1 - 4	7	°C	No heat sink; 200 lfm sideways airflow
Normal force exerted on module	1 - 4	15	N	Heat sink on module top surface

5.3.2 CFP2 Insertion & Extraction

As described in Section 1.3.1, the CFP2 module shall be hot pluggable. A consequence of the CFP2 module being hot pluggable is that an end user be equipped to insert and extract the module in the field. The required forces are specified below in Table 5-2.



Table 5-2: CFP2 Module Insertion, Extraction Forces

	Max.	Unit	Notes
Maximum Insertion Force	80	N	Without Heat Sink
Maximum Extraction Force	50	N	Without Heat Sink
Minimum Module Retention Force	90	N	No damage to module below 90 N
Minimum Cage Retention Force	180	N	No damage to cage latch below 180 N

Minimum rating for host/module connector insertion/extraction is 200 cycles.

* Typical increase in those forces by adding heat sink is below 5N.

5.4 Host System Dimensions

The detailed CFP2 host system dimensions including host board layout are located in a separate document hosted on the CFP MSA Website (www.cfp-msa.org).

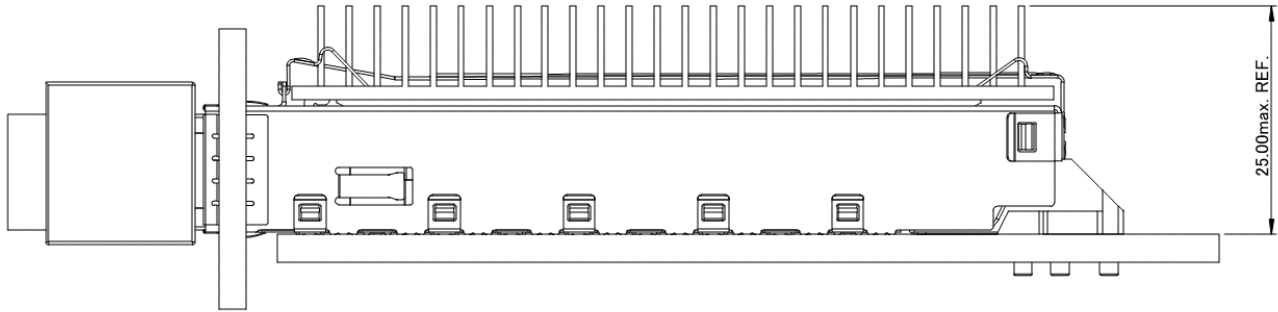
5.5 Riding Heat Sink

The riding heat sink and host cage top surface designs given in the latest published CFP2 baseline drawing are only exemplary and are not required for compliance with the CFP2 MSA. Cage opening and heat sink specifications vary with host system design and thermal performance requirements. The heat sink/cage designs are therefore host system dependent and may be optimized by the system designer.

The riding heat sink illustrated in Figure 5-8 is for example only. The recommended material for the heat sink is aluminum. Furthermore, a thermal interposer for reduced friction is recommended to be used on the underside of the riding heat sink.

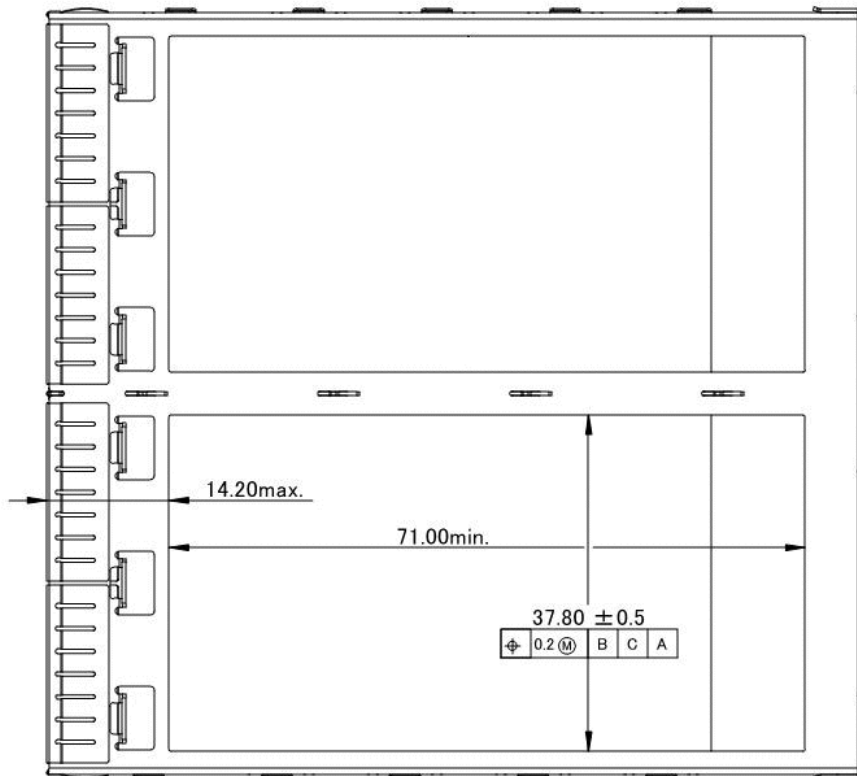


Figure 5-8: Riding Heat Sink



The mounting dimensions for the Riding Heat Sink are shown below in Figure 5-9. The actual dimensions of the heat sink and cage top opening may be optimized for the particular host system.

Figure 5-9: Host Cage Top Surface Opening





5.6 Optical Connectors

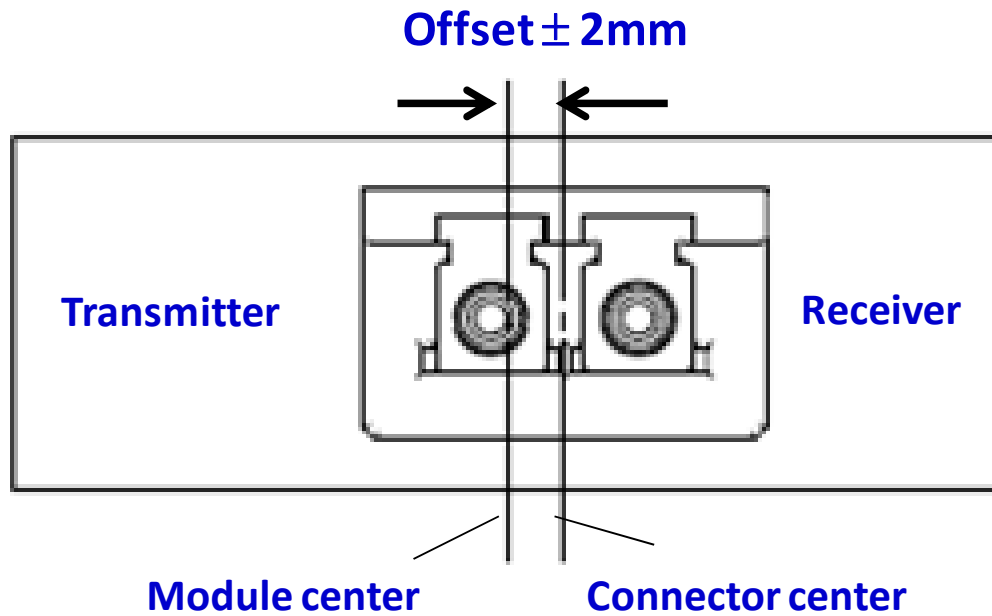
The CFP2 module shall support LC, MTP12 and MTP24 optical connector types, as listed in Table 5-3. The optical connectors are positioned in the CFP2 module as illustrated in Figure 5-10. The optical connector is centered in position along the X-axis (module width) with an offset tolerance of $\pm 0.5\text{mm}$. The position of the optical connector in the Y and Z axes shall be specified by the CFP2 module manufacturer.

Table 5-3: Optical Connectors⁸

Pin #	Category	Reference Number
LC Connector	TBA	TBA
MPO12 Connector	TBA	TBA
MPO24 Connector	TBA	TBA

⁸ Other optical connectors may be supported

Figure 5-10: CFP2 Optical Connector Position



5.6.1 Optional Optical LC Connector Position for Telecom Applications

This option, described in Reference [1], is *not* supported in the first release of the CFP2 module MSA, but may be specified in a future release.

5.7 Electrical Connectors

CFP2 host electrical connector supplier information will be added to Table 5-4 in a future release of this MSA.

Table 5-4 CFP2 Host Connector Assembly

Part Number	Supplier	Part Name
TBA	TBA	Cage
TBA	TBA	Host Connector Cover Assembly
TBA	TBA	Host Connector

5.8 Pin Assignment

The CFP2 connector has 104 pins which are arranged in Top and Bottom rows. The CFP2 connector supports the following configurations:

- a) Four (4) 25Gbit/s TX lanes plus four 25Gbit/s RX lanes;
- b) Eight (8) 25Gbit/s TX lanes plus eight 25Gbit/s RX lanes;
- c) Ten (10) 10Gbit/s TX lanes plus ten 10Gbit/s RX lanes.

The CFP2 connector top row and bottom row pin assignments for the N x 25Gbit/s and the 10 x 10Gbit/s configurations are illustrated in Table 5- and Table 5-6, respectively. Detailed description of the bottom row pins 1 through pin 52 are given in Table 5-7 and Table 5-8. Note the REFCLK pins are located on the top row along with the high-speed TX and RX data pins. A single-ended REFCLK is an option. The CFP2 connector pin map orientation is shown in Figure 5-11.

Figure 5-11: CFP2 Connector Pin Map Orientation

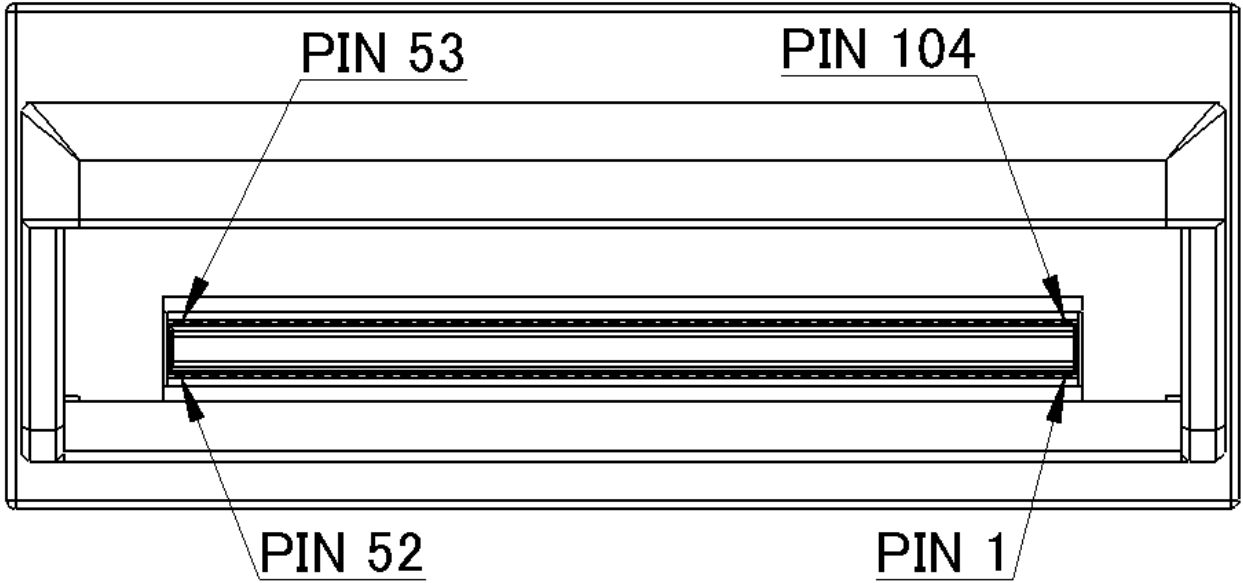


Table 5-5: CFP2 N x 25 Gbit/s Pin-Map

Pin view from top ==> Host



	Bottom (Nx25G)
1	GND
2	(TX_MCLKn)
3	(TX_MCLKp)
4	GND
5	N.C.
6	N.C.
7	3.3V_GND
8	3.3V_GND
9	3.3V
10	3.3V
11	3.3V
12	3.3V
13	3.3V_GND
14	3.3V_GND
15	VND_IO_A
16	VND_IO_B
17	PRG_CNTL1
18	PRG_CNTL2
19	PRG_CNTL3
20	PRG_ALRM1
21	PRG_ALRM2
22	PRG_ALRM3
23	GND
24	TX_DIS
25	RX_LOS
26	MOD_LOPWR
27	MOD_ABS
28	MOD_RSTn
29	GLB_ALRMn
30	GND
31	MDC
32	MDIO
33	PRTADR0
34	PRTADR1
35	PRTADR2
36	VND_IO_C
37	VND_IO_D
38	VND_IO_E
39	3.3V_GND
40	3.3V_GND
41	3.3V
42	3.3V
43	3.3V
44	3.3V
45	3.3V_GND
46	3.3V_GND
47	N.C.
48	N.C.
49	GND
50	(RX_MCLKn)
51	(RX_MCLKp)
52	GND

	Top (4x25G)
104	GND
103	N.C.
102	N.C.
101	GND
100	TX3n
99	TX3p
98	GND
97	TX2n
96	TX2p
95	GND
94	N.C.
93	N.C.
92	GND
91	N.C.
90	N.C.
89	GND
88	TX1n
87	TX1p
86	GND
85	TX0n
84	TX0p
83	GND
82	N.C.
81	N.C.
80	GND
79	(REFCLKn)
78	(REFCLKp)
77	GND
76	N.C.
75	N.C.
74	GND
73	RX3n
72	RX3p
71	GND
70	RX2n
69	RX2p
68	GND
67	N.C.
66	N.C.
65	GND
64	N.C.
63	N.C.
62	GND
61	RX1n
60	RX1p
59	GND
58	RX0n
57	RX0p
56	GND
55	N.C.
54	N.C.
53	GND

	Top (8x25G)
	GND
	TX7n
	TX7p
	GND
	TX6n
	TX6p
	GND
	TX5n
	TX5p
	GND
	TX4n
	TX4p
	GND
	TX3n
	TX3p
	GND
	TX2n
	TX2p
	GND
	TX1n
	TX1p
	GND
	TX0n
	TX0p
	GND
	(REFCLKn)
	(REFCLKp)
	GND
	RX7n
	RX7p
	GND
	RX6n
	RX6p
	GND
	RX5n
	RX5p
	GND
	RX4n
	RX4p
	GND
	RX3n
	RX3p
	GND
	RX2n
	RX2p
	GND
	RX1n
	RX1p
	GND
	RX0n
	RX0p
	GND

REFCLK
(Optional)



Table 5-6: CFP2 10 x 10 Gbit/s Pin-Map

Pin view from top ==> Host



CFP2	
Bottom (10x10G)	
1	GND
2	TX9n
3	TX9p
4	GND
5	TX8n
6	TX8p
7	GND
8	3.3V_GND
9	3.3V
10	3.3V
11	3.3V
12	3.3V
13	3.3V_GND
14	3.3V_GND
15	VND_IO_A
16	VND_IO_B
17	PRG_CNTL1
18	PRG_CNTL2
19	PRG_CNTL3
20	PRG_ALRM1
21	PRG_ALRM2
22	PRG_ALRM3
23	GND
24	TX_DIS
25	RX_LOS
26	MOD_LOPWR
27	MOD_ABS
28	MOD_RSTn
29	GLB_ALRMn
30	GND
31	MDC
32	MDIO
33	PRTADR0
34	PRTADR1
35	PRTADR2
36	VND_IO_C
37	VND_IO_D
38	VND_IO_E
39	3.3V_GND
40	3.3V_GND
41	3.3V
42	3.3V
43	3.3V
44	3.3V
45	3.3V_GND
46	GND
47	RX9n
48	RX9p
49	GND
50	RX8n
51	RX8p
52	GND

CFP2	
Top (10x10G)	
104	GND
103	TX7n
102	TX7p
101	GND
100	TX6n
99	TX6p
98	GND
97	TX5n
96	TX5p
95	GND
94	TX4n
93	TX4p
92	GND
91	TX3n
90	TX3p
89	GND
88	TX2n
87	TX2p
86	GND
85	TX1n
84	TX1p
83	GND
82	TX0n
81	TX0p
80	GND
79	(REFCLKn)
78	(REFCLKp)
77	GND
76	RX7n
75	RX7p
74	GND
73	RX6n
72	RX6p
71	GND
70	RX5n
69	RX5p
68	GND
67	RX4n
66	RX4p
65	GND
64	RX3n
63	RX3p
62	GND
61	RX2n
60	RX2p
59	GND
58	RX1n
57	RX1p
56	GND
55	RX0n
54	RX0p
53	GND



Table 5-7: CFP2 Bottom Row Pin Description for N x 25 Gbit/s applications

PIN #	NAME	I/O	Logic	Description
1	GND			
2	(TX_MCLK _n)	O	CML	For optical waveform testing. Not for normal use.
3	(TX_MCLK _p)	O	CML	For optical waveform testing. Not for normal use.
4	GND			
5	N.C.			No Connect
6	N.C.			
7	3.3V_GND			3.3V Module Supply Voltage Return Ground, can be separate or tied together with Signal Ground
8	3.3V_GND			
9	3.3V			3.3V Module Supply Voltage
10	3.3V			
11	3.3V			
12	3.3V			
13	3.3V_GND			
14	3.3V_GND			
15	VND_IO_A	I/O		Module Vendor I/O A. Do Not Connect!
16	VND_IO_B	I/O		Module Vendor I/O B. Do Not Connect!
17	PRG_CNTL1	I	LVC MOS w/ PUR	Programmable Control 1 set over MDIO, MSA Default: TRXIC_RSTn, TX & RX ICs reset, "0": reset, "1" or NC: enabled = not used
18	PRG_CNTL2	I	LVC MOS w/ PUR	Programmable Control 2 set over MDIO, MSA Default: Hardware Interlock LSB, "00": ≤3W, "01": ≤6W, "10": ≤9W, "11" or NC: ≤12W = not used
19	PRG_CNTL3	I	LVC MOS w/ PUR	Programmable Control 3 set over MDIO, MSA Default: Hardware Interlock MSB, "00": ≤3W, "01": ≤6W, "10": ≤9W, "11" or NC: ≤12W = not used
20	PRG_ALRM1	O	LVC MOS	Programmable Alarm 1 set over MDIO, MSA Default: HIPWR_ON, "1": module power up completed, "0": module not high powered up
21	PRG_ALRM2	O	LVC MOS	Programmable Alarm 2 set over MDIO, MSA Default: MOD_READY, "1": Ready, "0": not Ready.
22	PRG_ALRM3	O	LVC MOS	Programmable Alarm 3 set over MDIO, MSA Default: MOD_FAULT, fault detected, "1": Fault, "0": No Fault
23	GND			
24	TX_DIS	I	LVC MOS w/ PUR	Transmitter Disable for all lanes, "1" or NC = transmitter disabled, "0" = transmitter enabled
25	RX_LOS	O	LVC MOS	Receiver Loss of Optical Signal, "1": low optical signal, "0": normal condition



PIN #	NAME	I/O	Logic	Description
26	MOD_LOPW	I	LVC MOS w/ PUR	Module Low Power Mode. "1" or NC: module in low power (safe) mode, "0": power-on enabled
27	MOD_ABS	O	GND	Module Absent. "1" or NC: module absent, "0": module present, Pull Up Resistor on Host
28	MOD_RSTn	I	LVC MOS w/ PDR	Module Reset. "0" resets the module, "1" or NC = module enabled, Pull Down Resistor in Module
29	GLB_ALRMn	O	LVC MOS	Global Alarm. "0": alarm condition in any MDIO Alarm register, "1": no alarm condition, Open Drain, Pull Up Resistor on Host
30	GND			
31	MDC	I	1.2V CMOS	Management Data Clock (electrical specs as per IEEE Std 802.3-2012)
32	MDIO	I/O	1.2V CMOS	Management Data I/O bi-directional data (electrical specs as per IEEE Std 802.3-2012)
33	PRTADR0	I	1.2V CMOS	MDIO Physical Port address bit 0
34	PRTADR1	I	1.2V CMOS	MDIO Physical Port address bit 1
35	PRTADR2	I	1.2V CMOS	MDIO Physical Port address bit 2
36	VND_IO_C	I/O		Module Vendor I/O C. Do Not Connect!
37	VND_IO_D	I/O		Module Vendor I/O D. Do Not Connect!
38	VND_IO_E	I/O		Module Vendor I/O E. Do Not Connect!
39	3.3V_GND			
40	3.3V_GND			
41	3.3V			3.3V Module Supply Voltage
42	3.3V			
43	3.3V			
44	3.3V			
45	3.3V_GND			
46	3.3V_GND			
47	N.C			No Connect
48	N.C.			
49	GND			
50	(RX_MCLKn)	O	CML	For optical waveform testing. Not for normal use.
51	(RX_MCLKp)	O	CML	For optical waveform testing. Not for normal use.
52	GND			

Table 5-8: CFP2 Bottom Row Pin Description for 10 x 10 Gbit/s applications

PIN #	NAME	I/O	Logic	Description
1	GND			
2	TX9n	I	CML	Transmit data input
3	TX9p	I	CML	Transmit data input
4	GND			
5	TX8n	I	CML	Transmit data input
6	TX8p	I	CML	Transmit data input
7	GND			3.3V Module Supply Voltage Return Ground, can be separate or tied together with Signal Ground
8	3.3V_GND			
9	3.3V			3.3V Module Supply Voltage
10	3.3V			
11	3.3V			
12	3.3V			
13	3.3V_GND			
14	3.3V_GND			
15	VND_IO_A	I/O		Module Vendor I/O A. Do Not Connect!
16	VND_IO_B	I/O		Module Vendor I/O B. Do Not Connect!
17	PRG_CNTL1	I	LVC MOS w/ PUR	Programmable Control 1 set over MDIO, MSA Default: TRXIC_RSTn, TX & RX ICs reset, "0": reset, "1" or NC: enabled = not used
18	PRG_CNTL2	I	LVC MOS w/ PUR	Programmable Control 2 set over MDIO, MSA Default: Hardware Interlock LSB, "00": ≤3W, "01": ≤6W, "10": ≤9W, "11" or NC: ≤12W = not used
19	PRG_CNTL3	I	LVC MOS w/ PUR	Programmable Control 3 set over MDIO, MSA Default: Hardware Interlock MSB, "00": ≤3W, "01": ≤6W, "10": ≤9W, "11" or NC: ≤12W = not used
20	PRG_ALARM1	O	LVC MOS	Programmable Alarm 1 set over MDIO, MSA Default: HIPWR_ON, "1": module power up completed, "0": module not high powered up
21	PRG_ALARM2	O	LVC MOS	Programmable Alarm 2 set over MDIO, MSA Default: MOD_READY, "1": Ready, "0": not Ready.
22	PRG_ALARM3	O	LVC MOS	Programmable Alarm 3 set over MDIO, MSA Default: MOD_FAULT, fault detected, "1": Fault, "0": No Fault
23	GND			
24	TX_DIS	I	LVC MOS w/ PUR	Transmitter Disable for all lanes, "1" or NC = transmitter disabled, "0" = transmitter enabled
25	RX_LOS	O	LVC MOS	Receiver Loss of Optical Signal, "1": low optical signal, "0": normal condition



PIN #	NAME	I/O	Logic	Description
26	MOD_LOPW	I	LVC MOS w/ PUR	Module Low Power Mode. "1" or NC: module in low power (safe) mode, "0": power-on enabled
27	MOD_ABS	O	GND	Module Absent. "1" or NC: module absent, "0": module present, Pull Up Resistor on Host
28	MOD_RSTn	I	LVC MOS w/ PDR	Module Reset. "0" resets the module, "1" or NC = module enabled, Pull Down Resistor in Module
29	GLB_ALRMn	O	LVC MOS	Global Alarm. "0": alarm condition in any MDIO Alarm register, "1": no alarm condition, Open Drain, Pull Up Resistor on Host
30	GND			
31	MDC	I	1.2V CMOS	Management Data Clock (electrical specs as per IEEE Std 802.3-2012)
32	MDIO	I/O	1.2V CMOS	Management Data I/O bi-directional data (electrical specs as per IEEE Std 802.3-2012)
33	PRTADR0	I	1.2V CMOS	MDIO Physical Port address bit 0
34	PRTADR1	I	1.2V CMOS	MDIO Physical Port address bit 1
35	PRTADR2	I	1.2V CMOS	MDIO Physical Port address bit 2
36	VND_IO_C	I/O		Module Vendor I/O C. Do Not Connect!
37	VND_IO_D	I/O		Module Vendor I/O D. Do Not Connect!
38	VND_IO_E	I/O		Module Vendor I/O E. Do Not Connect!
39	3.3V_GND			
40	3.3V_GND			
41	3.3V			3.3V Module Supply Voltage
42	3.3V			
43	3.3V			
44	3.3V			
45	3.3V_GND			
46	GND			
47	RX9n	O	CML	Received data output
48	RX9p	O	CML	Received data output
49	GND			
50	RX8n	O	CML	Received data output
51	RX8p	O	CML	Received data output
52	GND			

5.9 CFP2 Bail Latch Color Coding and Labeling

The CFP2 module bail latch color is used to indicate module optics application. The CFP2 bail latch color code scheme is specified in Table 5-.

Table 5-9: CFP2 Bail Latch Color Coding

Bail Latch Color Minimum reach & Minimum loss	Bail Latch Band			
	10G/fiber One center black band (010)	25G/fiber (or 20G/fiber) Two side black bands (101)	50G/fiber (or 40G/fiber) Three black bands (111)	100G/fiber No bands (solid color) (000)
Beige 100m & 2dB (MMF)	100GE-SR10 Mx 40GE-SR4 Nx 10GE-SR	100GE-SR4	Mx "40GE-SR"*	"100GE-SR"*
Yellow 500m & 2.5dB (SMF)	"40GE-nR4"* parallel	"100GE-nR4"* parallel	"100GE-nR2"* parallel	"100GE-nR4"*
Green 2km & 4dB (SMF)		"100GE-FR4"* parallel	Mx 40GE-FR	"100GE-FR4"*
Lighter Blue 10km & 6dB	Nx 10GE-LR		Mx 40GE-LR4	100GE-LR4
Lighter Red 30km/40km	Nx 10GE-ER	100G DD DWDM	Mx 40GE-ER4	100GE-ER4
White ≤ 80km	Nx "10GE-ZR"*	100G DD DWDM	Mx "40GE-ZR4"*	"100GE-ZR4"* 100G Coh. DWDM

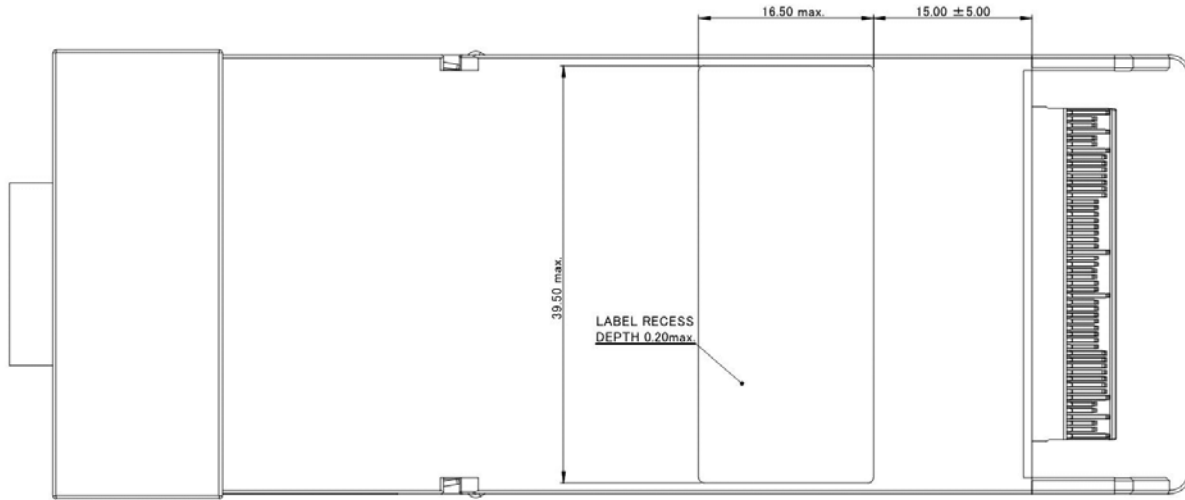
Note 1: Link budget = Minimum penalty [function of minimum reach] + minimum loss

Note 2: * For potential future application; Not currently a standard nor MSA.

Note 3: Bail latch without any color (including no black bands; metal only) indicates a module that does not fit into any of the defined categories.

The CFP2 module should be clearly labeled. The complete labeling need not be visible when the CFP2 module is installed in the host cage assembly. A recessed area on the bottom of the CFP2 module, as shown in Figure 5-12, is the recommended location for module label.

Figure 5-12: CFP2 Module Label Recess



6 REGULATORY COMPLIANCE

Per Reference [1].

End of Document